

US00D571288S

(12) **United States Design Patent**
Tanaka

(10) **Patent No.:** **US D571,288 S**
(45) **Date of Patent:** **** Jun. 17, 2008**

- (54) **RECHARGEABLE BATTERY**
- (75) Inventor: **Soichi Tanaka**, Tokyo (JP)
- (73) Assignee: **Sony Corporation**, Tokyo (JP)
- (**) Term: **14 Years**
- (21) Appl. No.: **29/287,876**
- (22) Filed: **Sep. 28, 2007**
- (30) **Foreign Application Priority Data**
Apr. 24, 2007 (JP) D2007-011016
- (51) **LOC (8) Cl.** **13-02**
- (52) **U.S. Cl.** **D13/103**
- (58) **Field of Classification Search** D13/102-106,
D13/110, 118-119, 184; 429/96-100, 163,
429/176
See application file for complete search history.

- D535,249 S * 1/2007 Ogasawara D13/103
- D539,730 S * 4/2007 Kawase D13/103
- D554,579 S * 11/2007 Ogasawara D13/103
- D554,580 S * 11/2007 Ogasawara D13/103

* cited by examiner

Primary Examiner—Cathron Brooks
Assistant Examiner—Rosemary K Tarcza
(74) *Attorney, Agent, or Firm*—Rader, Fishman & Grauer, PLLC

- (56) **References Cited**
U.S. PATENT DOCUMENTS
D374,424 S * 10/1996 Nagele et al. D13/103
D485,530 S * 1/2004 Ogasawara D13/103
D517,475 S * 3/2006 Yokota D13/103
D521,449 S * 5/2006 Yokota D13/103

(57) **CLAIM**
The ornamental design for a rechargeable battery, as shown.

DESCRIPTION
FIG. 1 is a perspective view of a rechargeable battery showing my new design;
FIG. 2 is a front elevational view thereof;
FIG. 3 is a rear elevational view thereof;
FIG. 4 is a left side elevational view thereof;
FIG. 5 is a right side elevational view thereof;
FIG. 6 is a top plan view thereof; and,
FIG. 7 is a bottom plan view thereof.

1 Claim, 7 Drawing Sheets

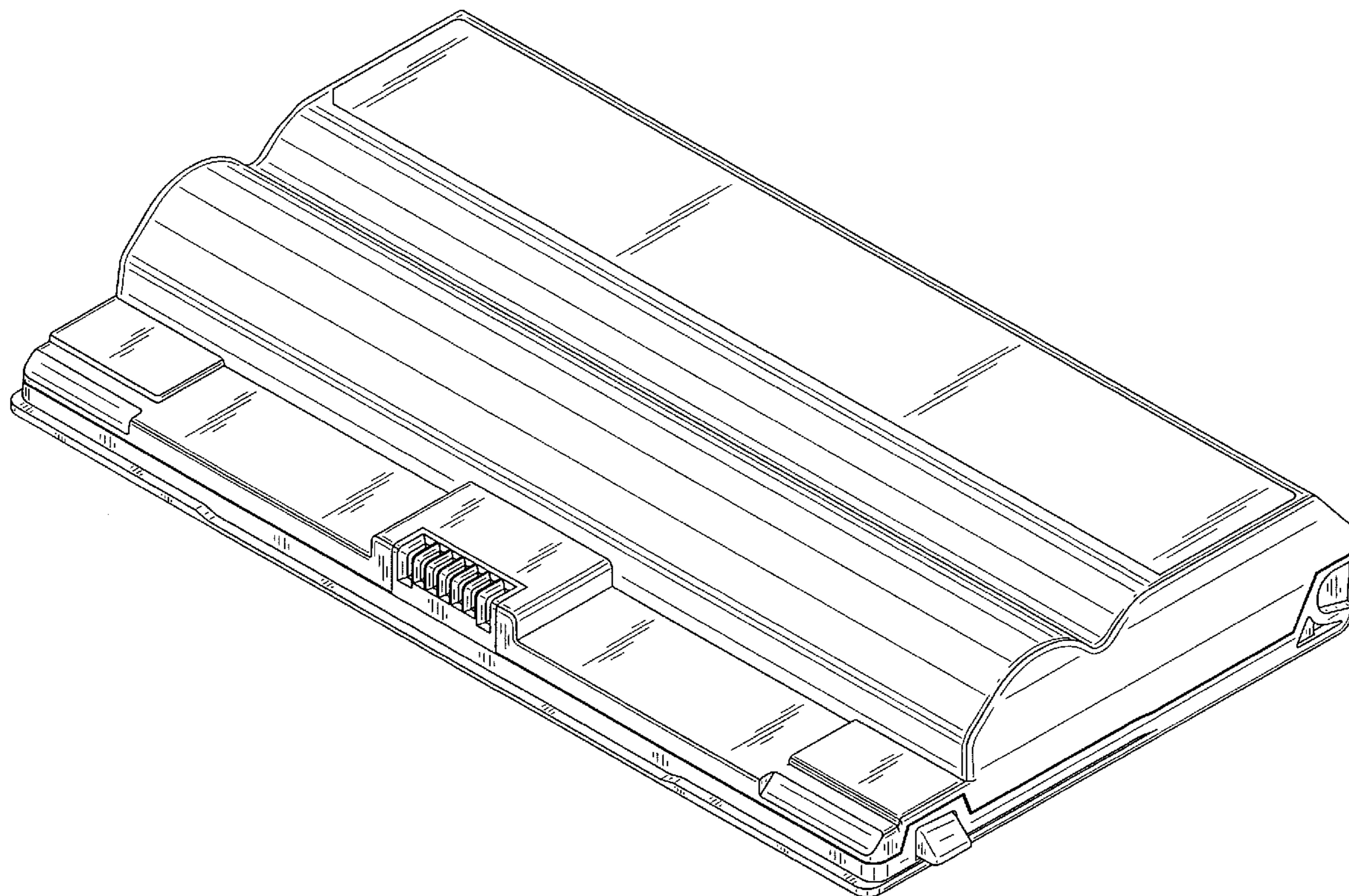


Fig.1

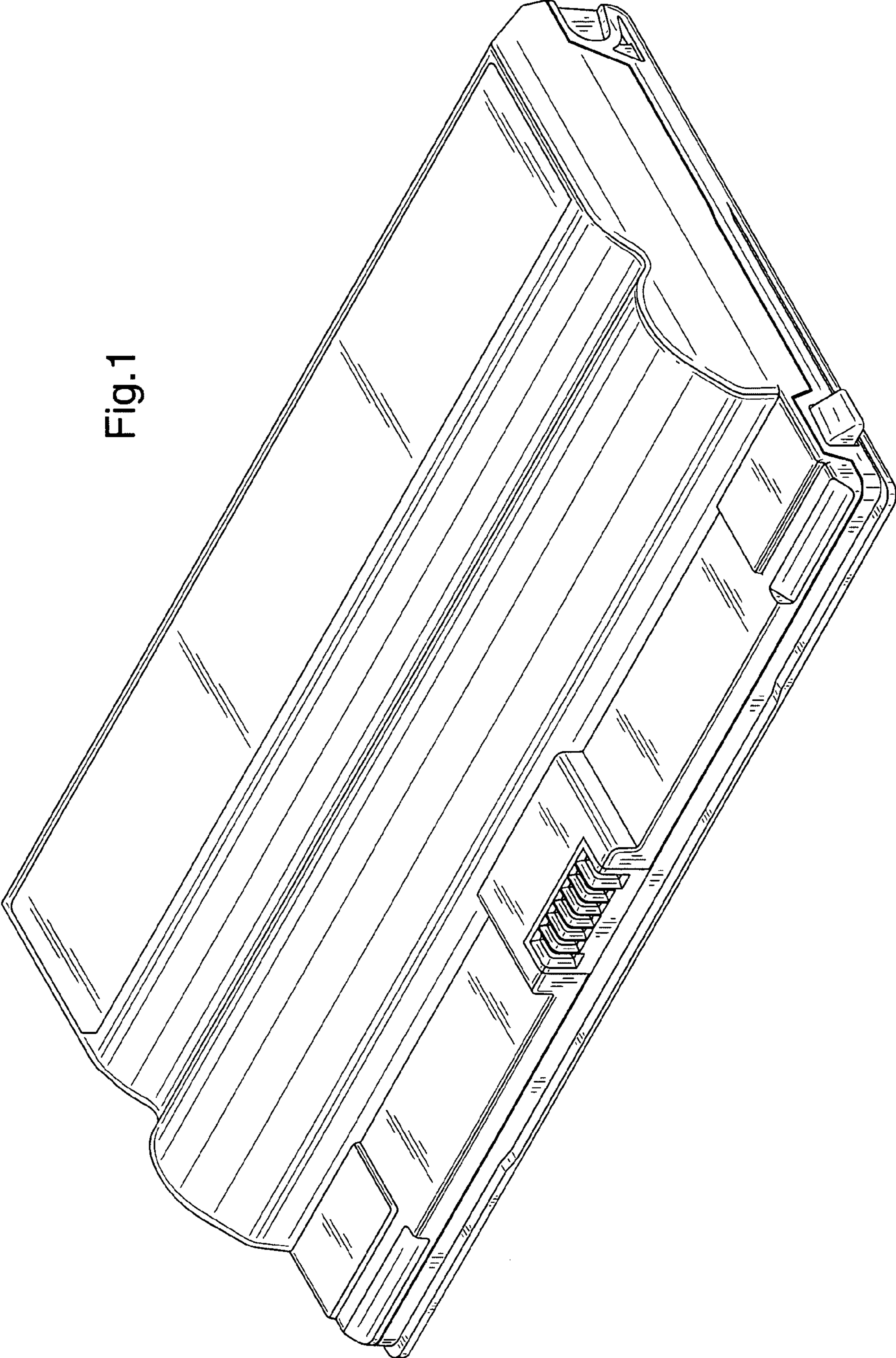


Fig.2

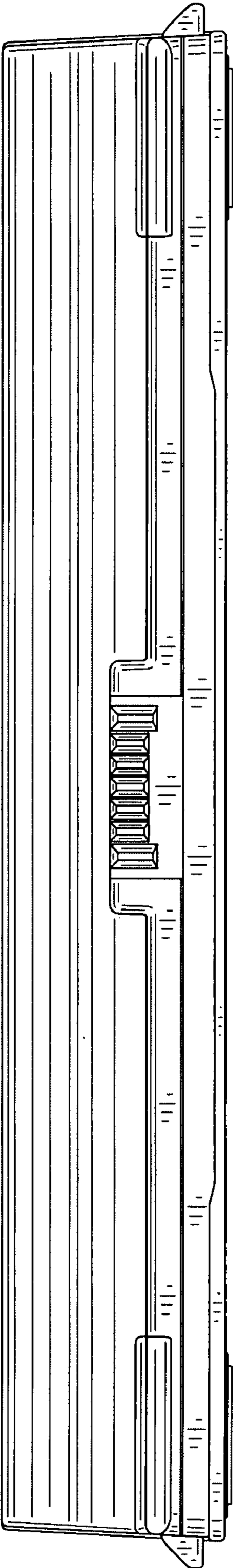


Fig.3

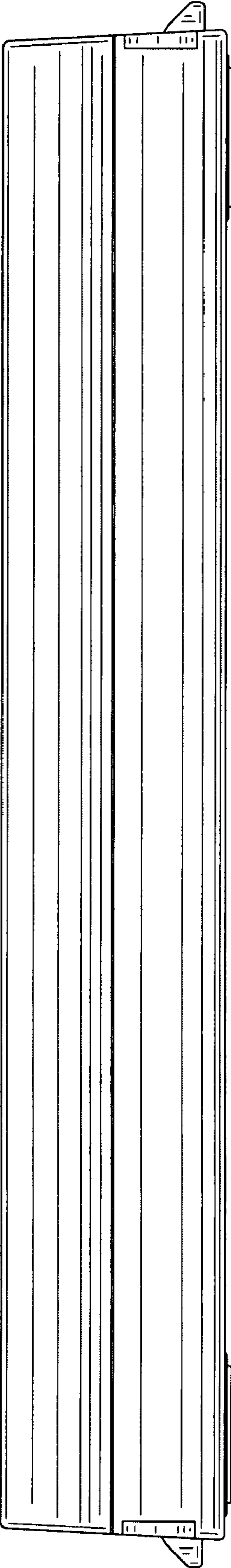


Fig.4

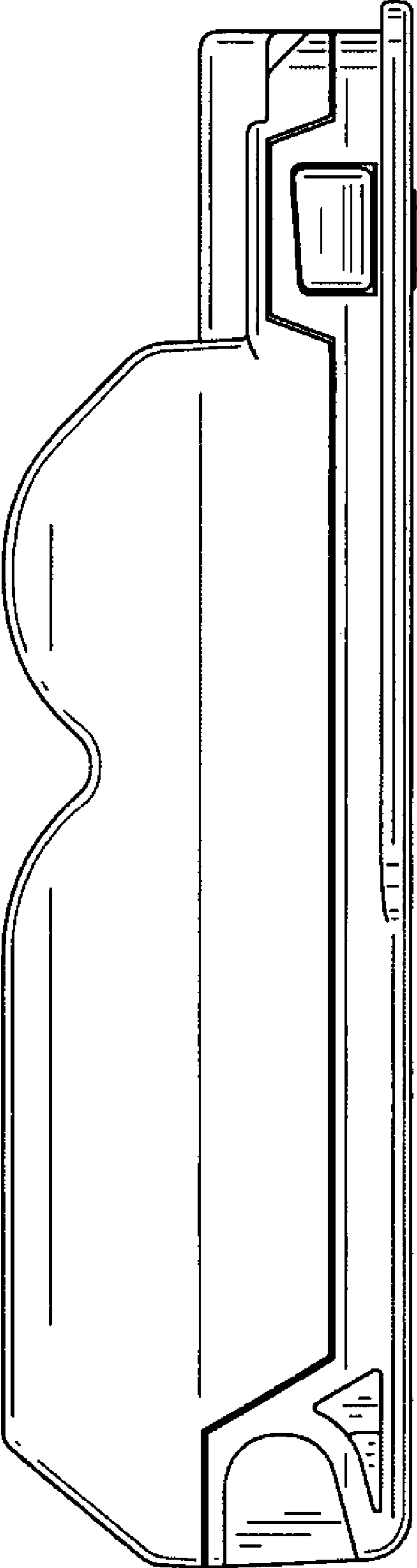


Fig. 5

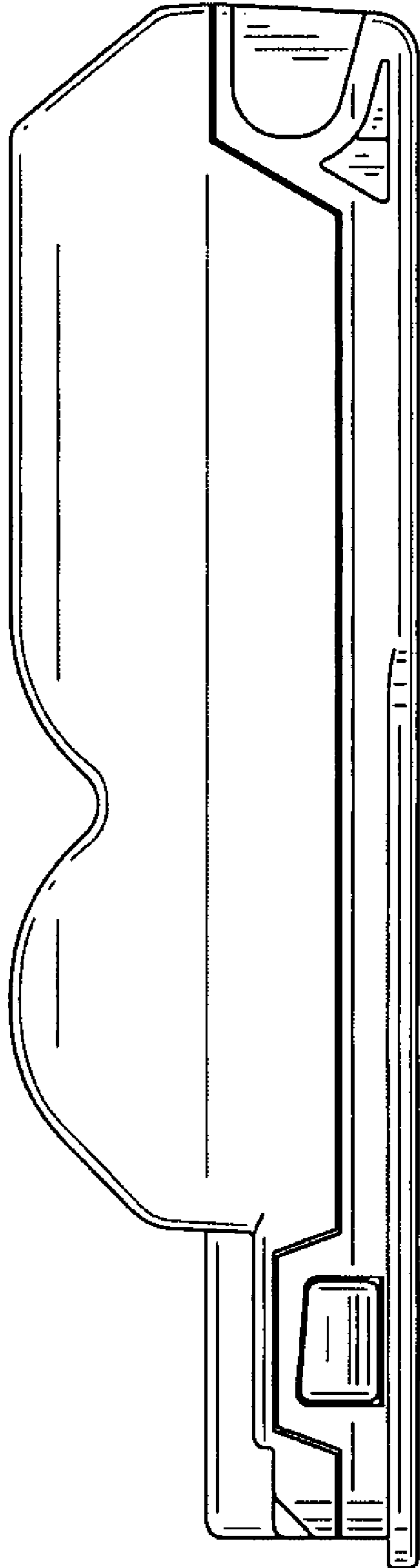


Fig.6

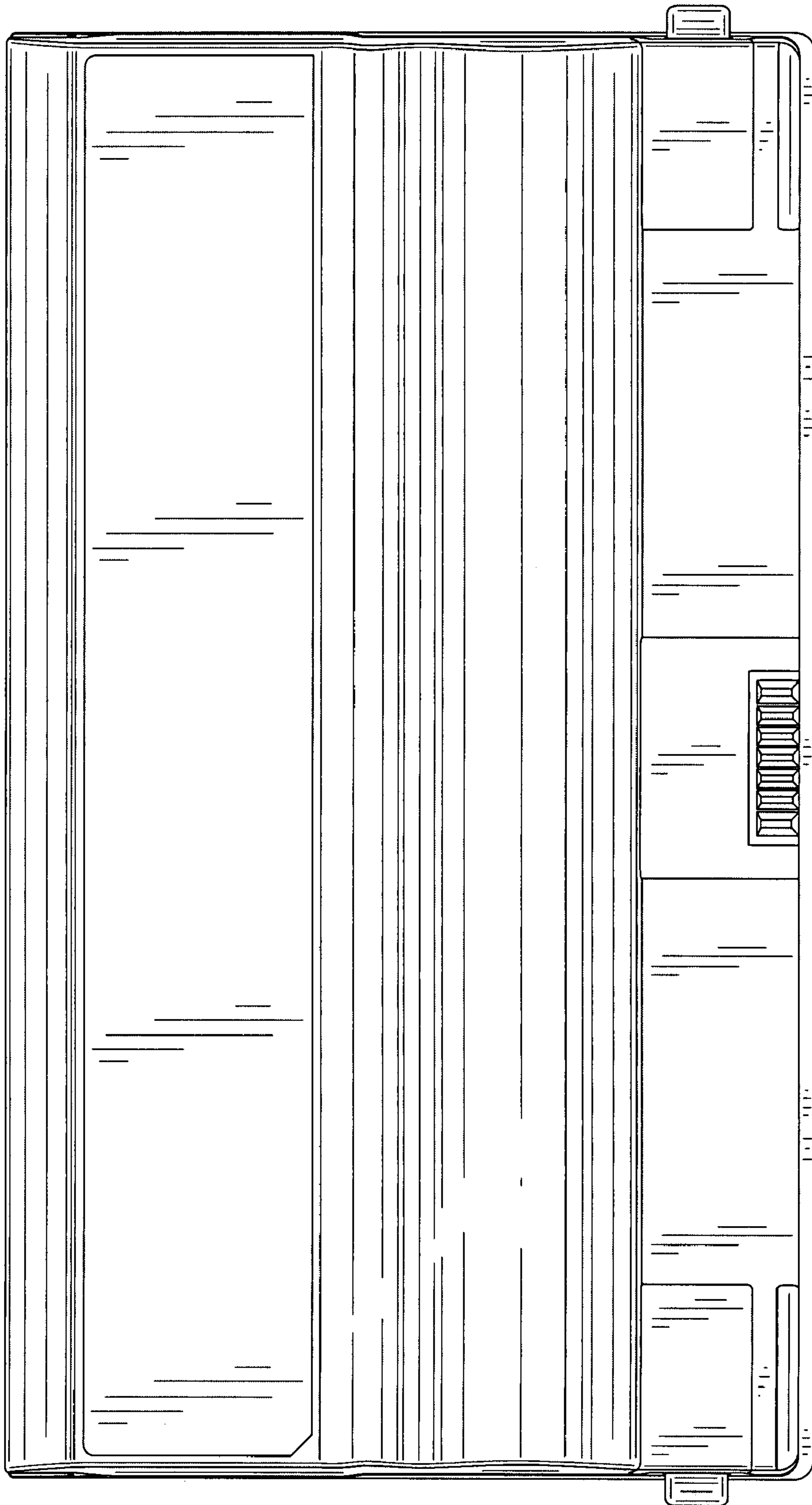


Fig.7

