



US00D571286S

(12) **United States Design Patent**  
**Fontaine et al.**

(10) **Patent No.:** **US D571,286 S**  
(45) **Date of Patent:** **\*\* Jun. 17, 2008**

(54) **TIRE**

(75) Inventors: **Sebastien Willy Fontaine**, Burden (LU); **Nicolas Claude Jean-Claude Froger**, Arlon (BE)

(73) Assignee: **The Goodyear Tire & Rubber Company**, Akron, OH (US)

(\*\*) Term: **14 Years**

(21) Appl. No.: **29/291,245**

(22) Filed: **Aug. 21, 2007**

(51) **LOC (8) Cl.** ..... **12-15**

(52) **U.S. Cl.** ..... **D12/591; D12/590**

(58) **Field of Classification Search** ..... D12/551-556,  
D12/583-591, 600; 152/209.1, 209.8-209.18,  
152/209.28

See application file for complete search history.

(56) **References Cited**

**U.S. PATENT DOCUMENTS**

D333,285 S *	2/1993	Hinrichsen et al. ....	D12/586
D350,098 S *	8/1994	Attinello et al. ....	D12/586
D384,313 S *	9/1997	Harden, Jr. ....	D12/586
D388,035 S	12/1997	Heinen et al. ....	D12/147
D400,140 S	10/1998	Graas ....	D12/147
D426,795 S *	6/2000	Oliver ....	D12/586
D456,764 S	5/2002	Heinen et al. ....	D12/551
D458,582 S *	6/2002	Rodicq et al. ....	D12/586
D484,848 S	1/2004	Heinen et al. ....	D12/556
D506,179 S *	6/2005	Iga et al. ....	D12/591
D513,402 S *	1/2006	Shirouzu ....	D12/590
D525,192 S	7/2006	Shondel et al. ....	D12/552
D531,111 S *	10/2006	Fukunaga ....	D12/587
D531,116 S	10/2006	Heinen et al. ....	D12/590

\* cited by examiner

*Primary Examiner*—Stacia Cadmus

(74) *Attorney, Agent, or Firm*—Richard B. O’Planick

(57) **CLAIM**

The ornamental design for a tire, as shown and described.

**DESCRIPTION**

FIG. 1 is a perspective view of a tire showing our new design, it being understood that the pattern repeats uniformly throughout the circumference of the tread;

FIG. 2 is a front elevational view thereof;

FIG. 3 is a right side elevational view thereof; the opposite side elevational view being identical thereto;

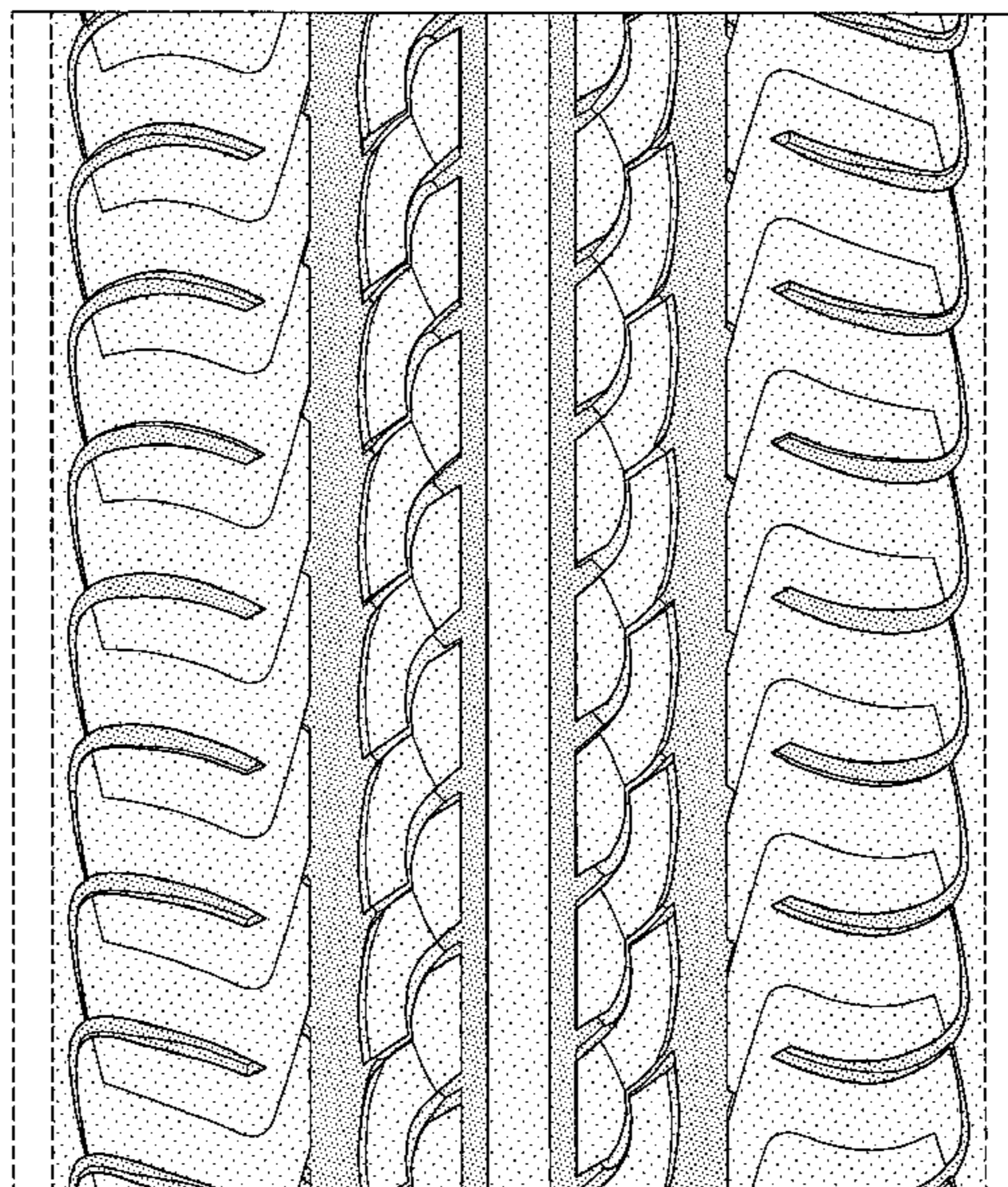
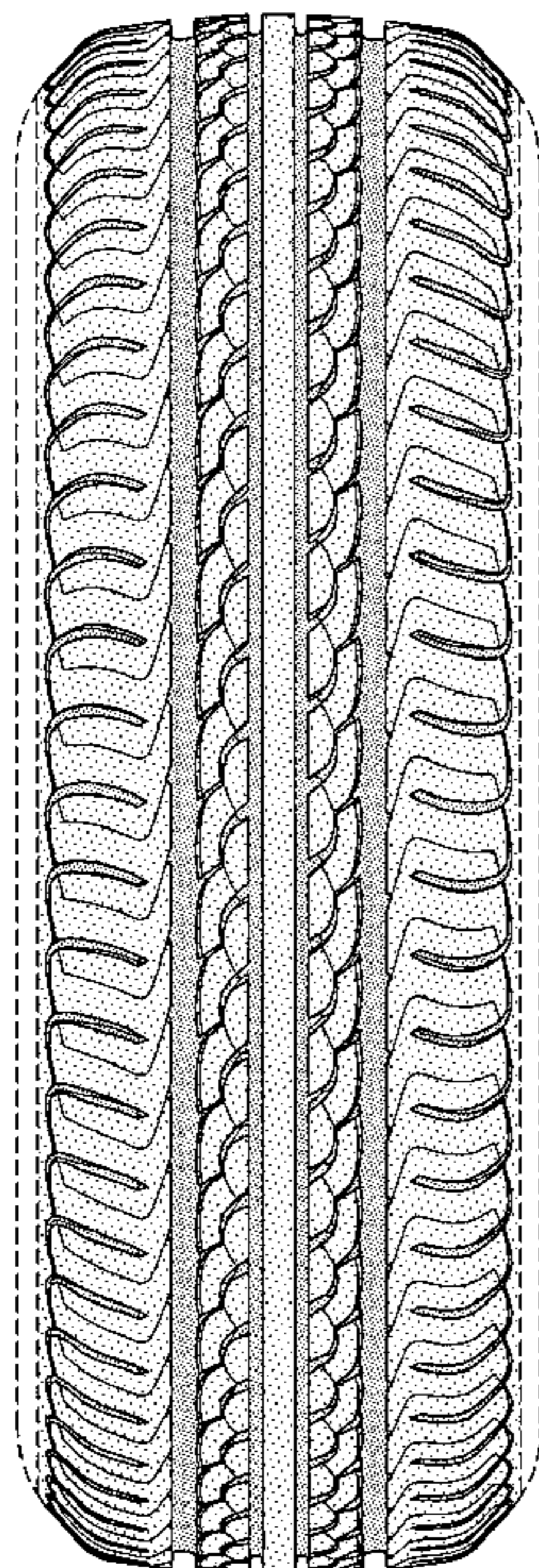
FIG. 4 is an enlarged fragmentary front elevational view thereof;

FIG. 5 is a perspective view of a second embodiment of a tire showing our new design, it being understood that the pattern repeats uniformly throughout the circumference of the tread and that the opposite side perspective view is identical thereto; and,

FIG. 6 is a front elevational view of a second embodiment, it being understood that an enlarged fragmentary view thereof would be substantially identical to that shown in FIG. 4, with the exception of the inclusion of the sidewall in solid lines.

In the drawings the broken lines defining the sidewall, inner bead and the peripheral boundary between the tire tread and the sidewall in FIGS. 1 through 4 are for illustrative purposes only and form no part of the claimed design.

**1 Claim, 6 Drawing Sheets**





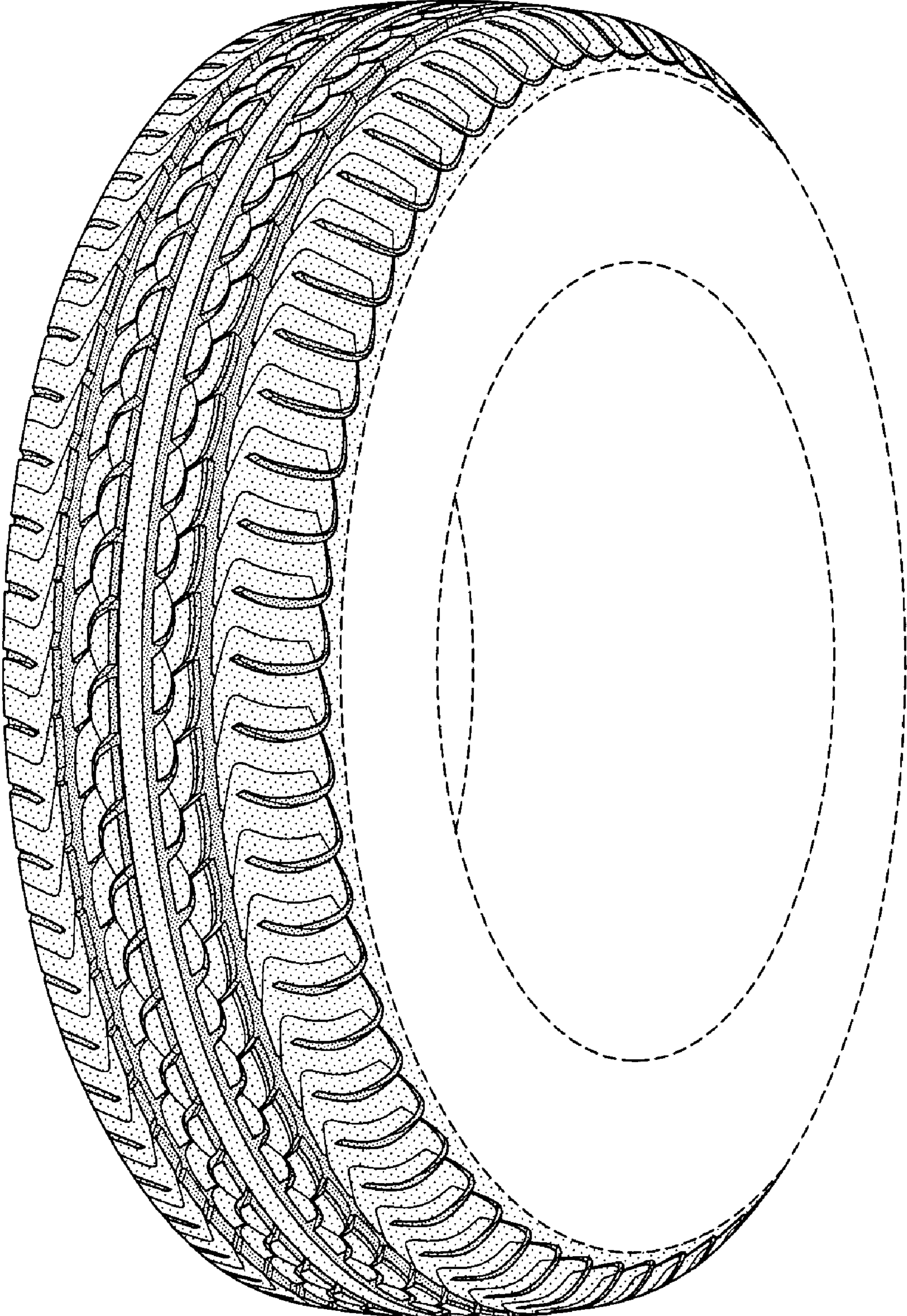


FIG-1

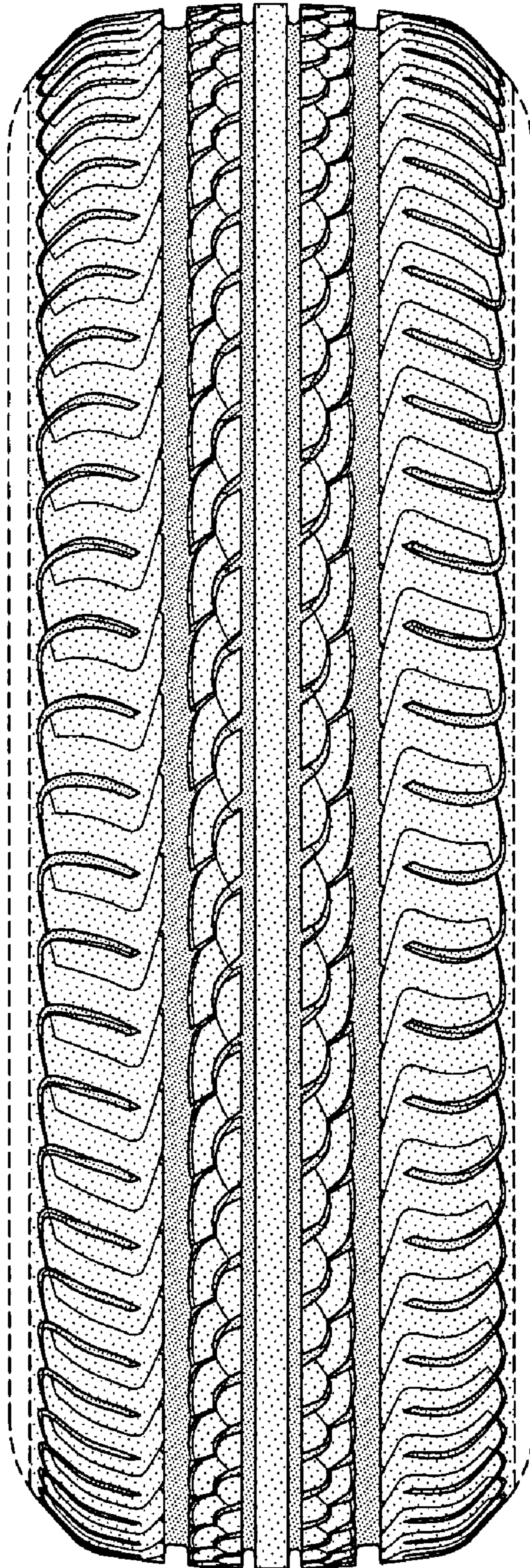


FIG-2



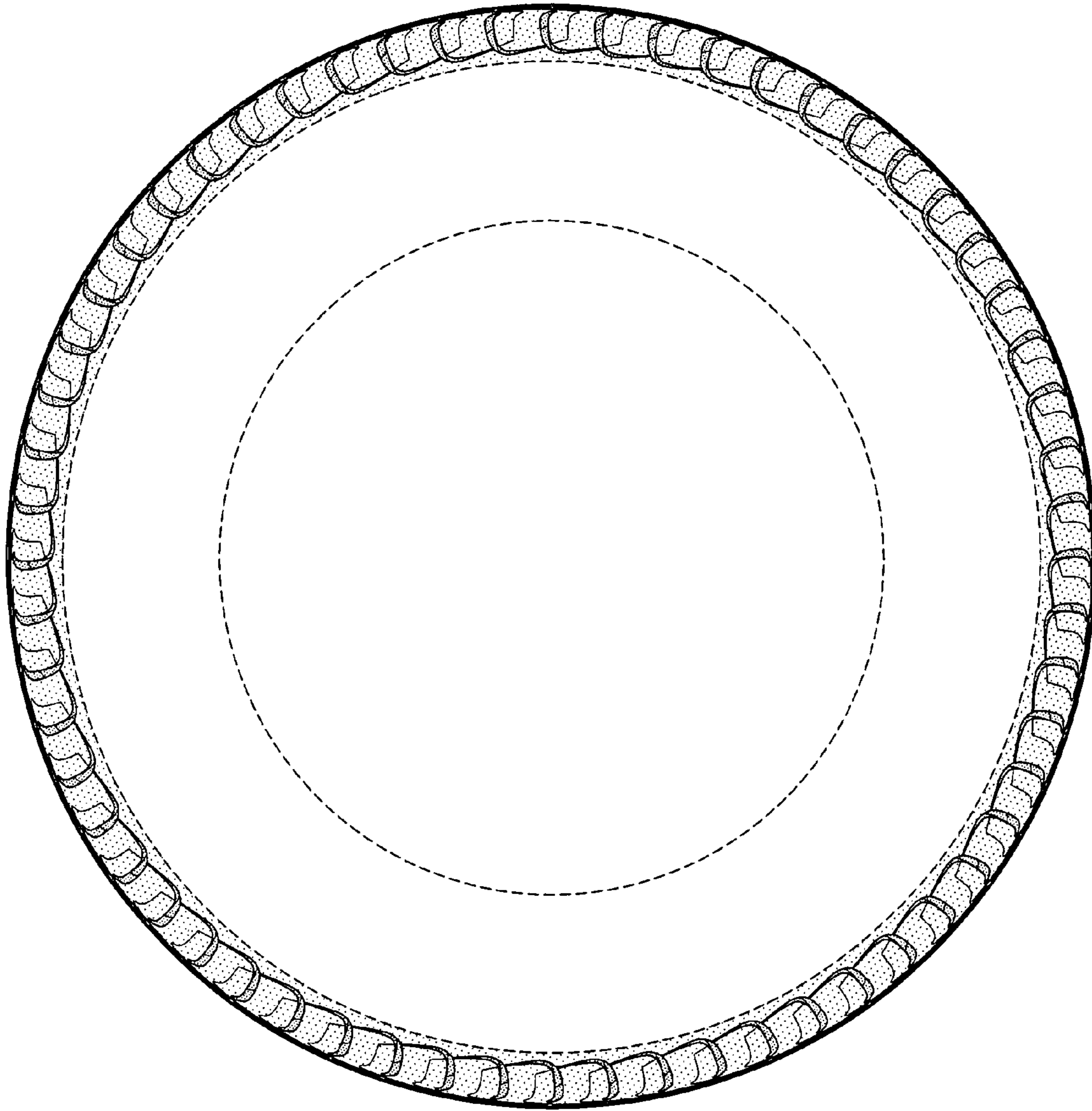


FIG-3

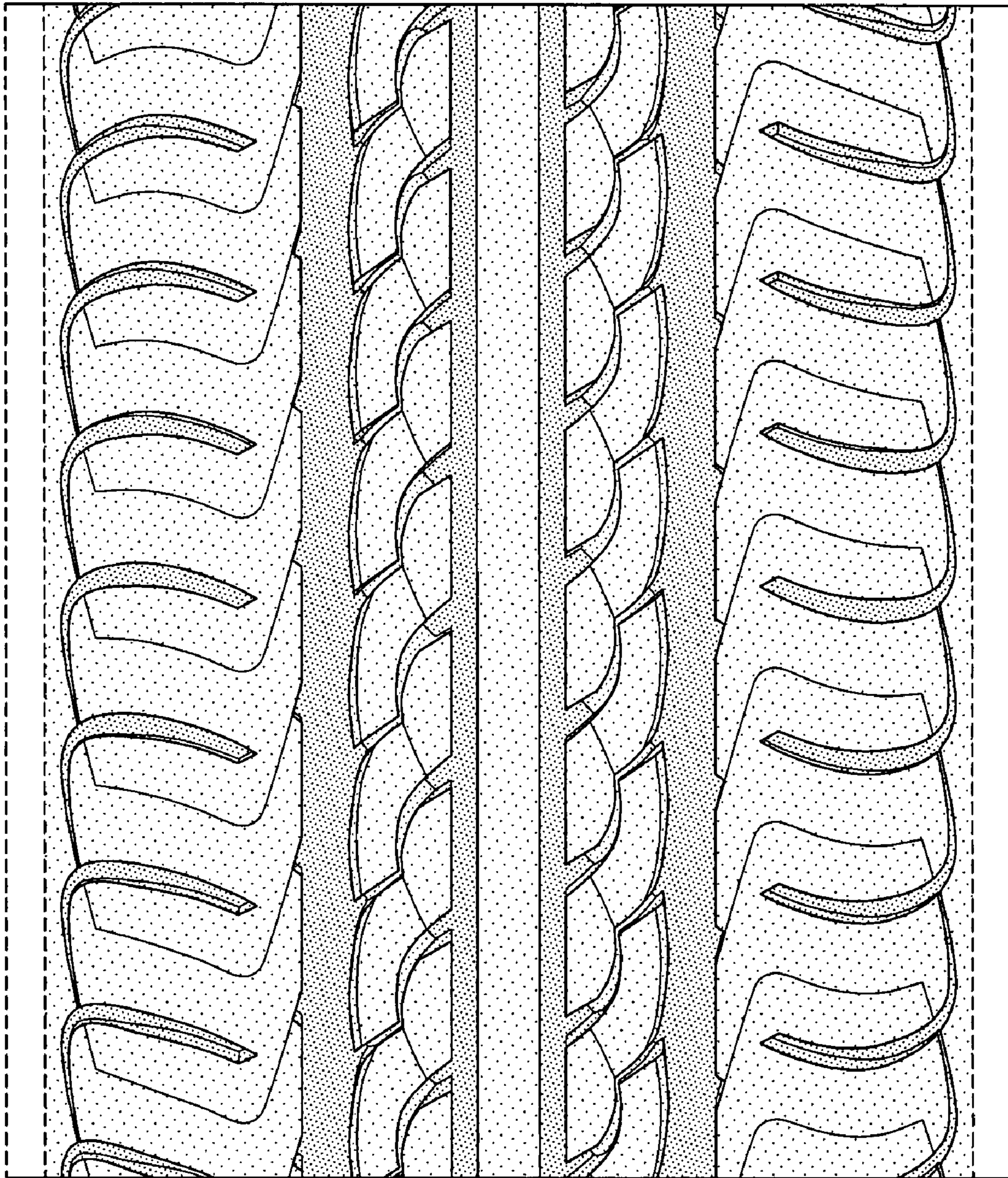


FIG-4



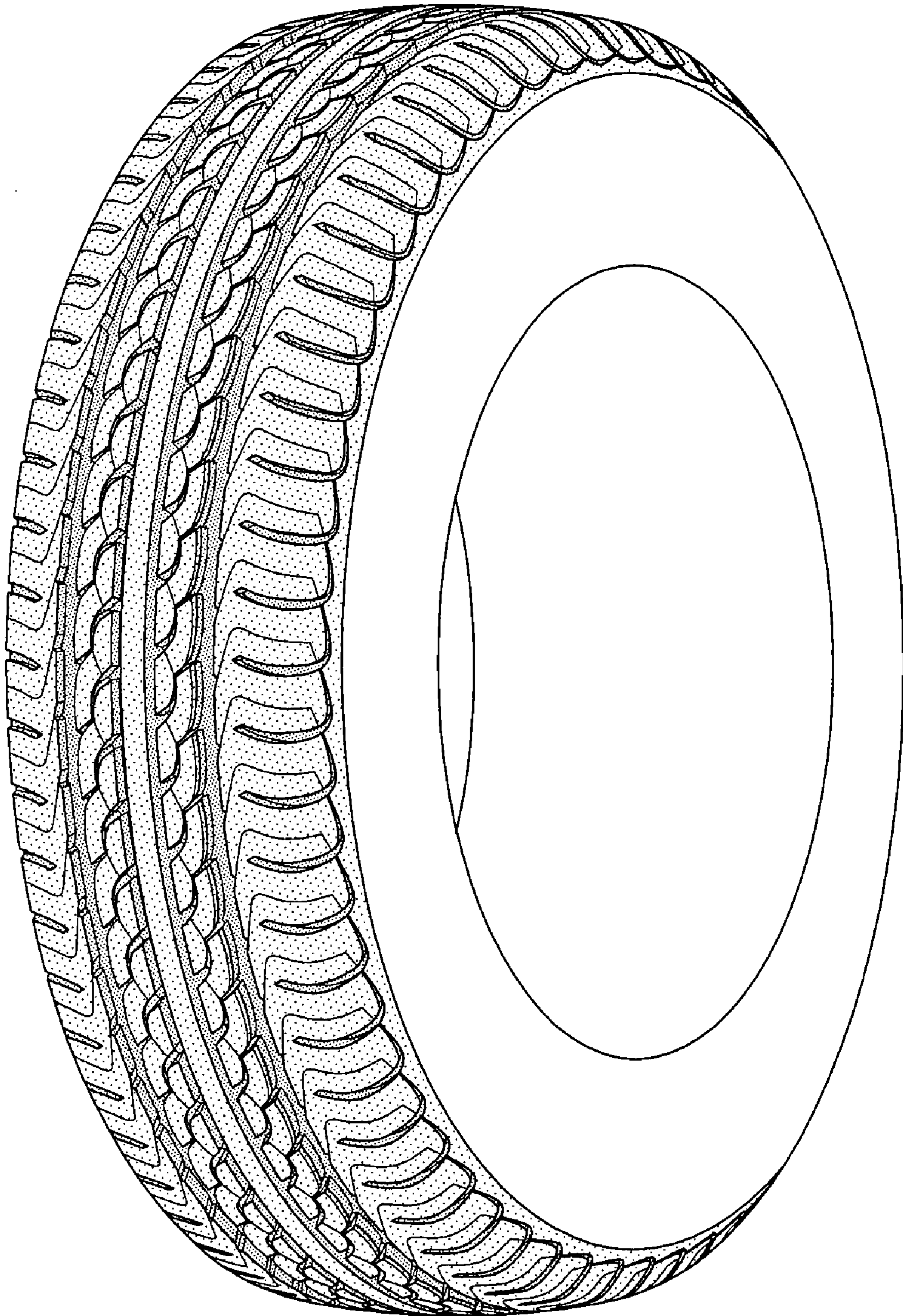


FIG-5

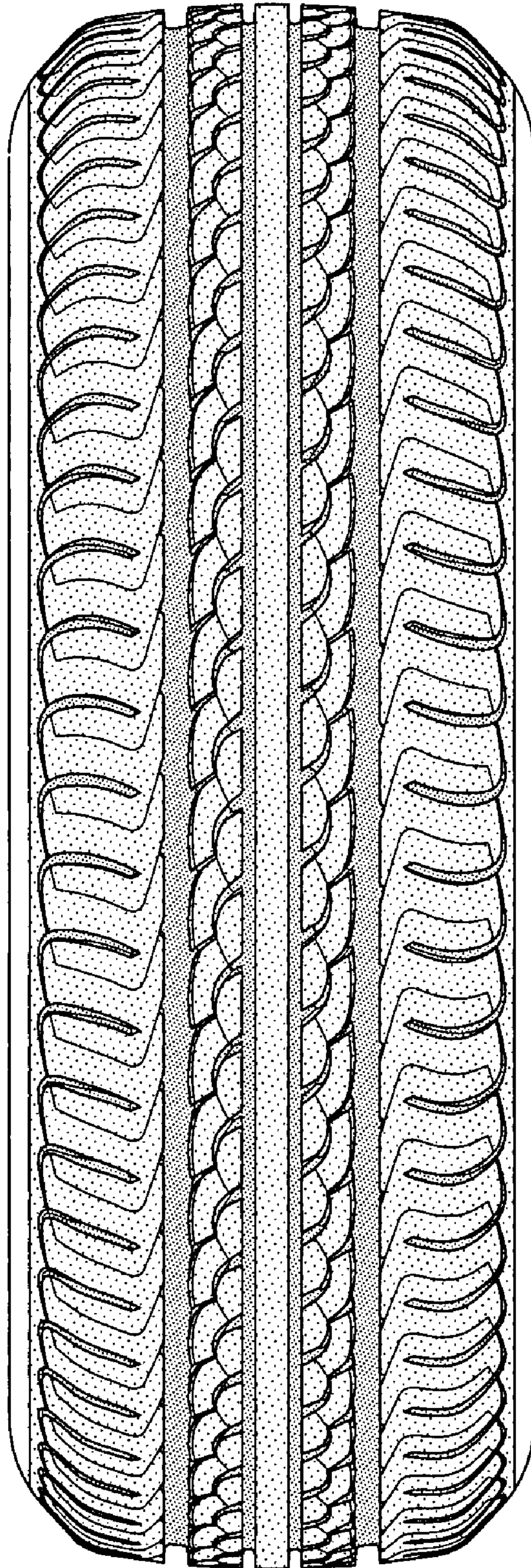


FIG-6