



US00D571282S

(12) **United States Design Patent**
Murata et al.

(10) **Patent No.:** **US D571,282 S**

(45) **Date of Patent:** **** Jun. 17, 2008**

(54) **TIRE FOR AUTOMOBILE**

(75) Inventors: **Takehiko Murata**, Hyogo (JP);
Susumu Tanaka, Hyogo-ken (JP)

(73) Assignee: **The Goodyear Tire & Rubber Company**, Akron, OH (US)

(**) Term: **14 Years**

(21) Appl. No.: **29/293,476**

(22) Filed: **Nov. 27, 2007**

(30) **Foreign Application Priority Data**

May 29, 2007 (JP) 2007-014188

(51) **LOC (8) Cl.** **12-15**

(52) **U.S. Cl.** **D12/523; D12/519**

(58) **Field of Classification Search** D12/505-532,
D12/900-901; 152/209.1, 209.8-209.13,
152/209.28, 455

See application file for complete search history.

(56) **References Cited**

U.S. PATENT DOCUMENTS

D369,763 S *	5/1996	Saeki et al.	D12/518
D376,779 S *	12/1996	Kuwajima et al.	D12/518
D403,996 S *	1/1999	Espinasse et al.	D12/524
D423,422 S *	4/2000	Selover et al.	D12/523
D453,729 S *	2/2002	Demagall et al.	D12/523
D469,396 S *	1/2003	Hutson et al.	D12/520
D490,045 S	5/2004	Delu et al.	D12/519
D490,047 S	5/2004	Heinen et al.	D12/524
D490,048 S	5/2004	Heinen et al.	D12/524
D490,049 S	5/2004	Heinen et al.	D12/524
D512,013 S	11/2005	Delu et al.	D12/521
D515,021 S *	2/2006	Delu et al.	D12/524
D522,442 S	6/2006	Shirouzu	D12/515

D524,231 S	7/2006	Marazzi et al.	D12/521
D524,232 S	7/2006	Heinen et al.	D12/521
D524,233 S	7/2006	Marazzi et al.	D12/521
D524,234 S	7/2006	Schmalix et al.	D12/521
D524,235 S	7/2006	Marazzi et al.	D12/523
D524,236 S	7/2006	Marazzi et al.	D12/524
D524,722 S *	7/2006	Dumigan	D12/517
D531,108 S	10/2006	Marazzi et al.	D12/523
D545,264 S *	6/2007	Takahashi et al.	D12/532
D551,156 S *	9/2007	Shinohara et al.	D12/521
D558,127 S *	12/2007	Shavers et al.	D12/519
D559,168 S *	1/2008	Murata	D12/523
D561,682 S *	2/2008	Ohki	D12/519

* cited by examiner

Primary Examiner—Stacia Cadmus

(74) *Attorney, Agent, or Firm*—Richard B. O’Planick

(57) **CLAIM**

The ornamental design for a tire for automobile, as shown and described.

DESCRIPTION

FIG. 1 is a perspective view of a tire for automobile showing our new design, it being understood that the pattern repeats uniformly throughout the circumference of the tread;

FIG. 2 is a front elevational view thereof;

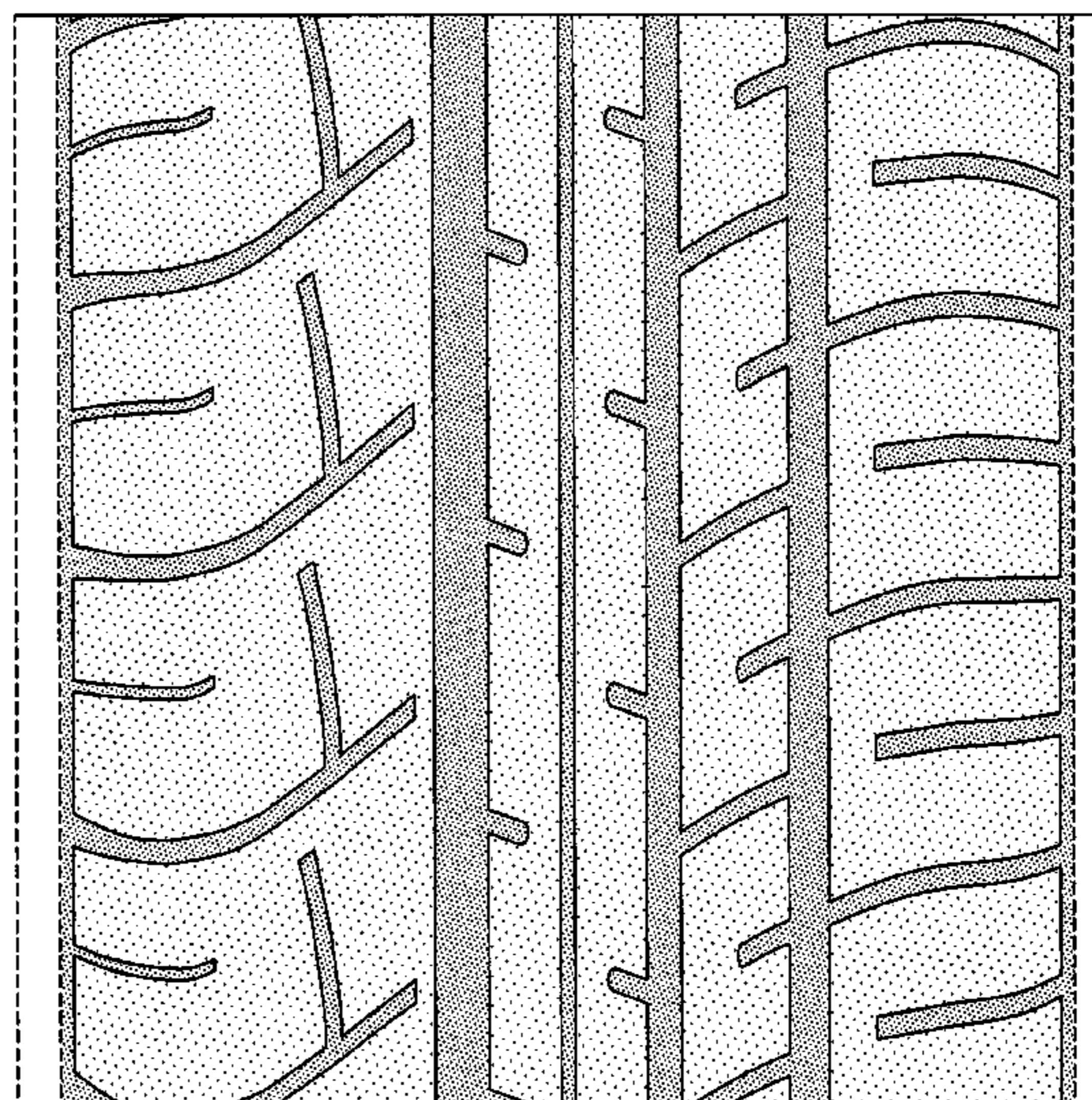
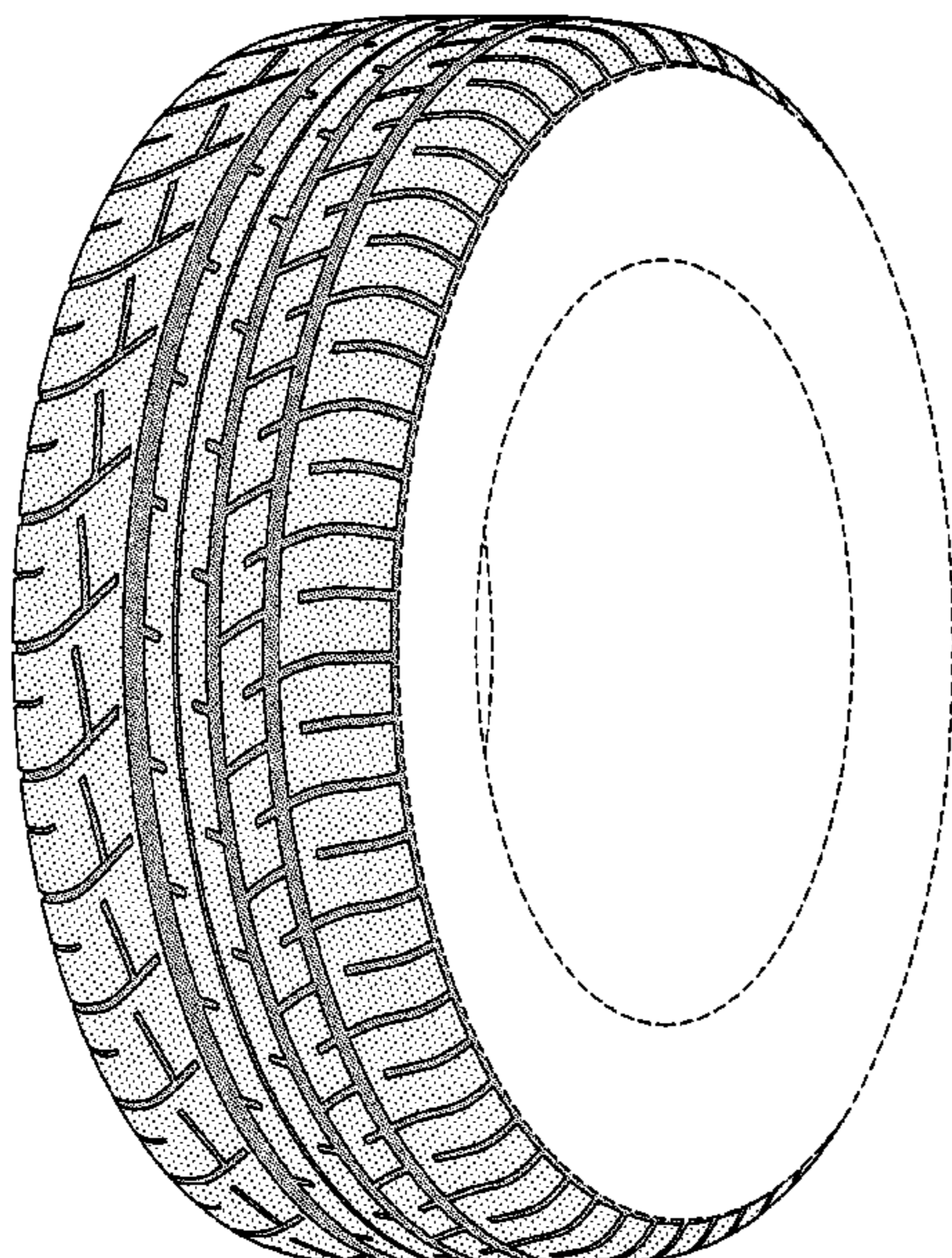
FIG. 3 is a right side elevational view thereof;

FIG. 4 is a left side elevational view thereof; and,

FIG. 5 is an enlarged fragmentary front elevational view thereof.

In the drawings the broken lines defining the sidewall, inner bead and the peripheral boundary between the tire tread and the sidewall are for illustrative purposes only and form no part of the claimed design.

1 Claim, 5 Drawing Sheets



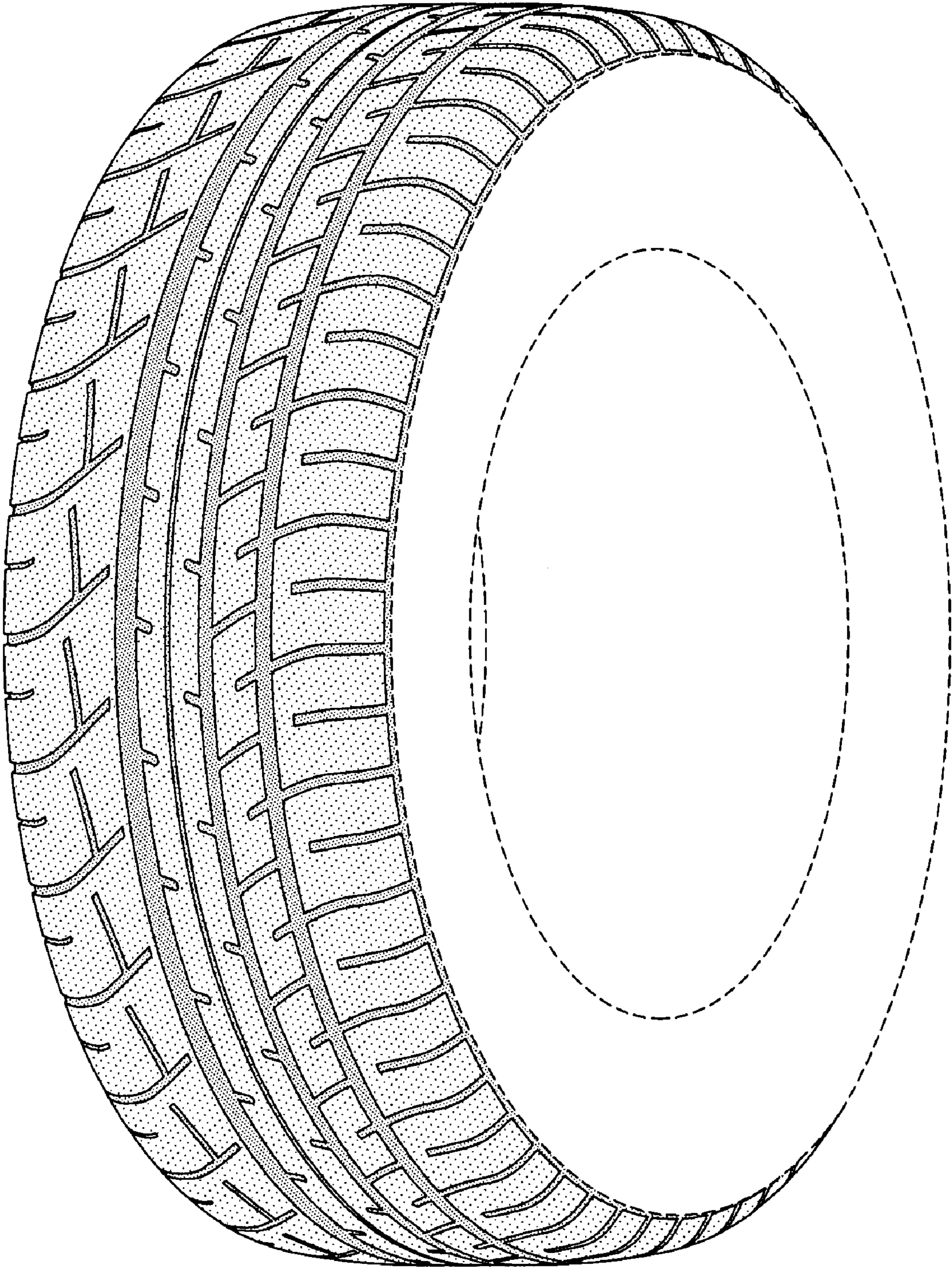


FIG-1

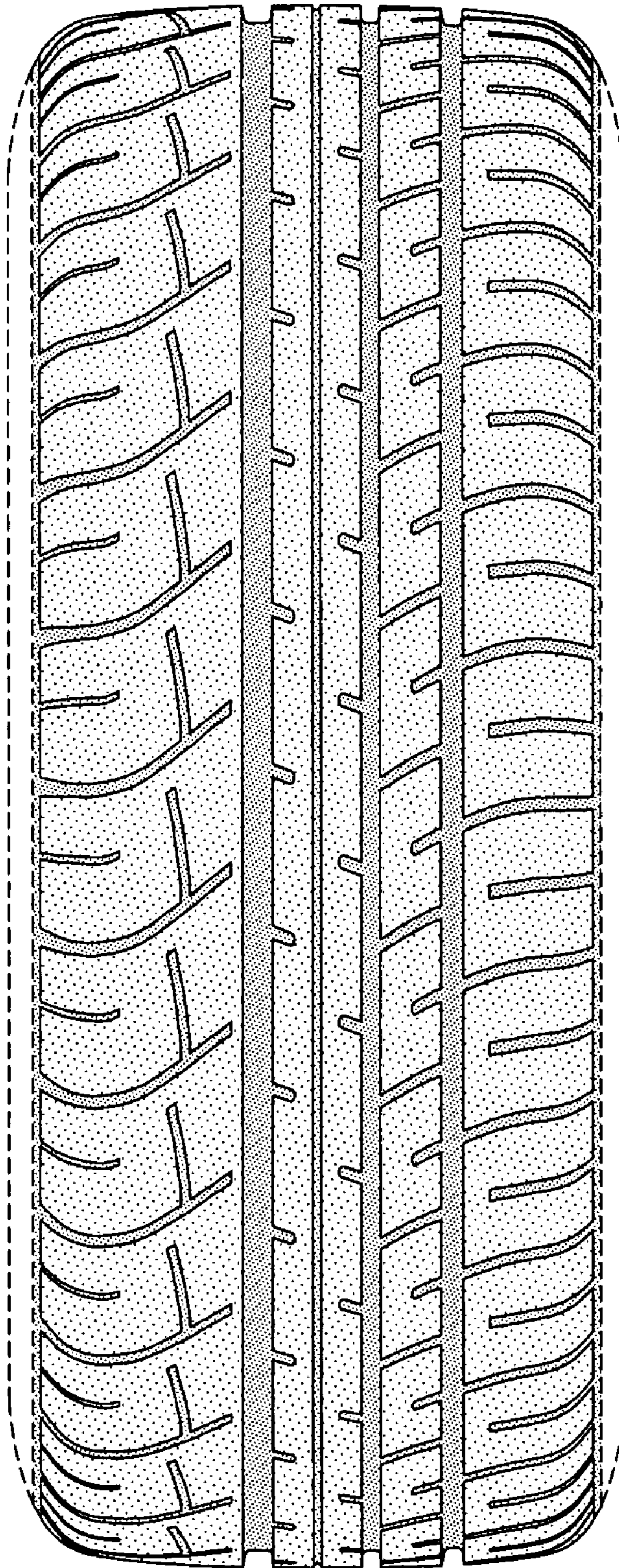


FIG-2

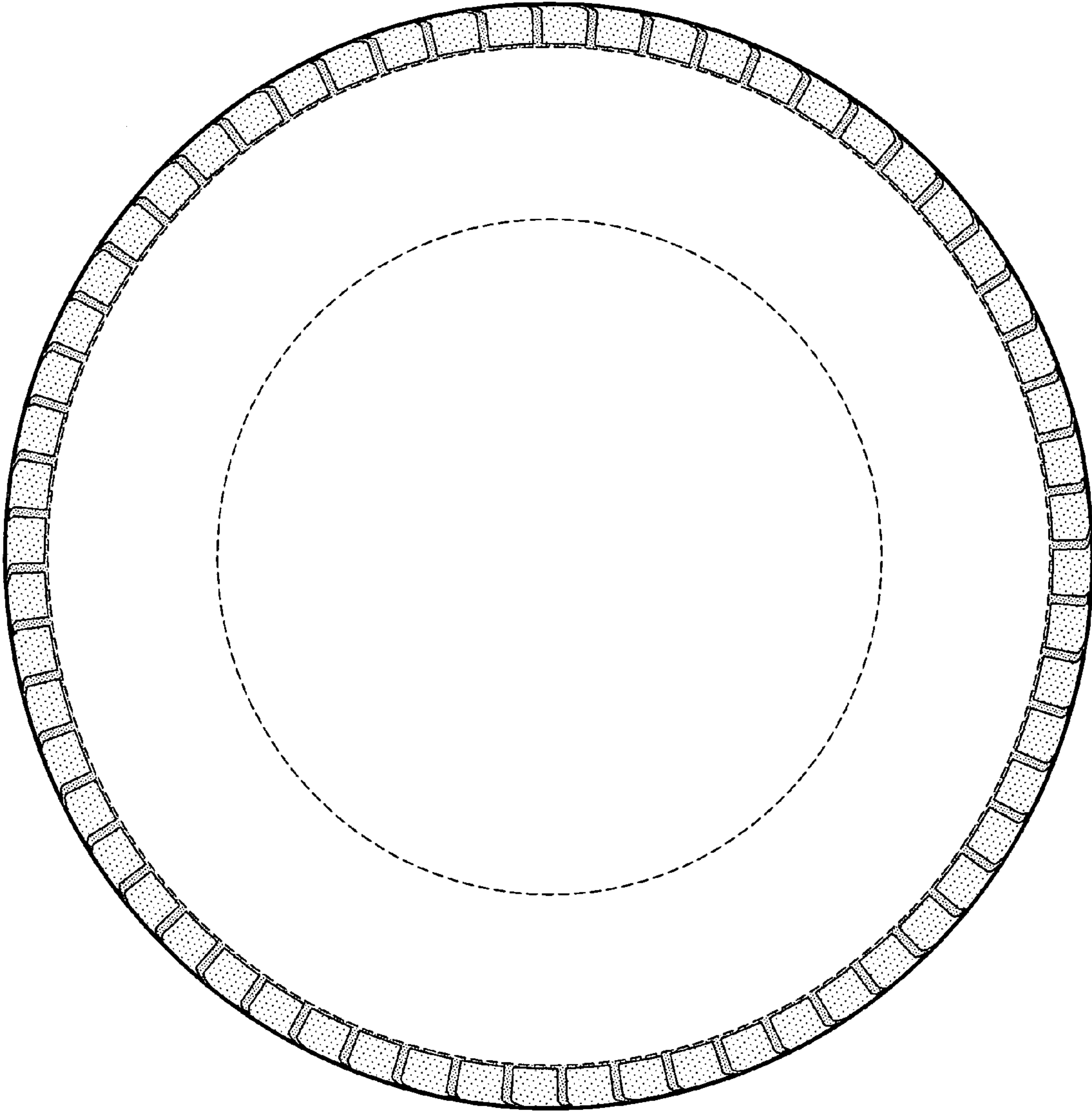


FIG-3

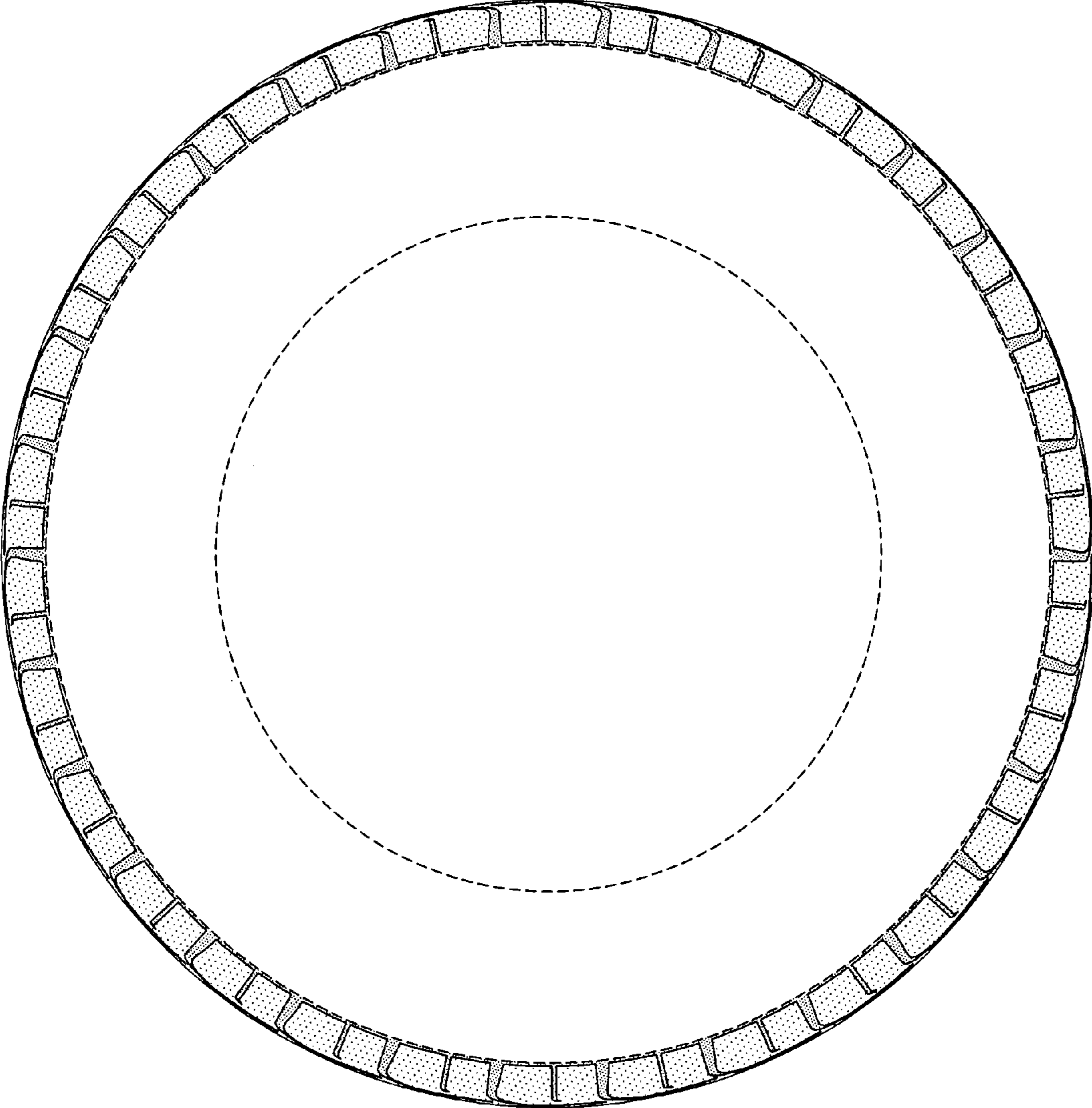


FIG-4

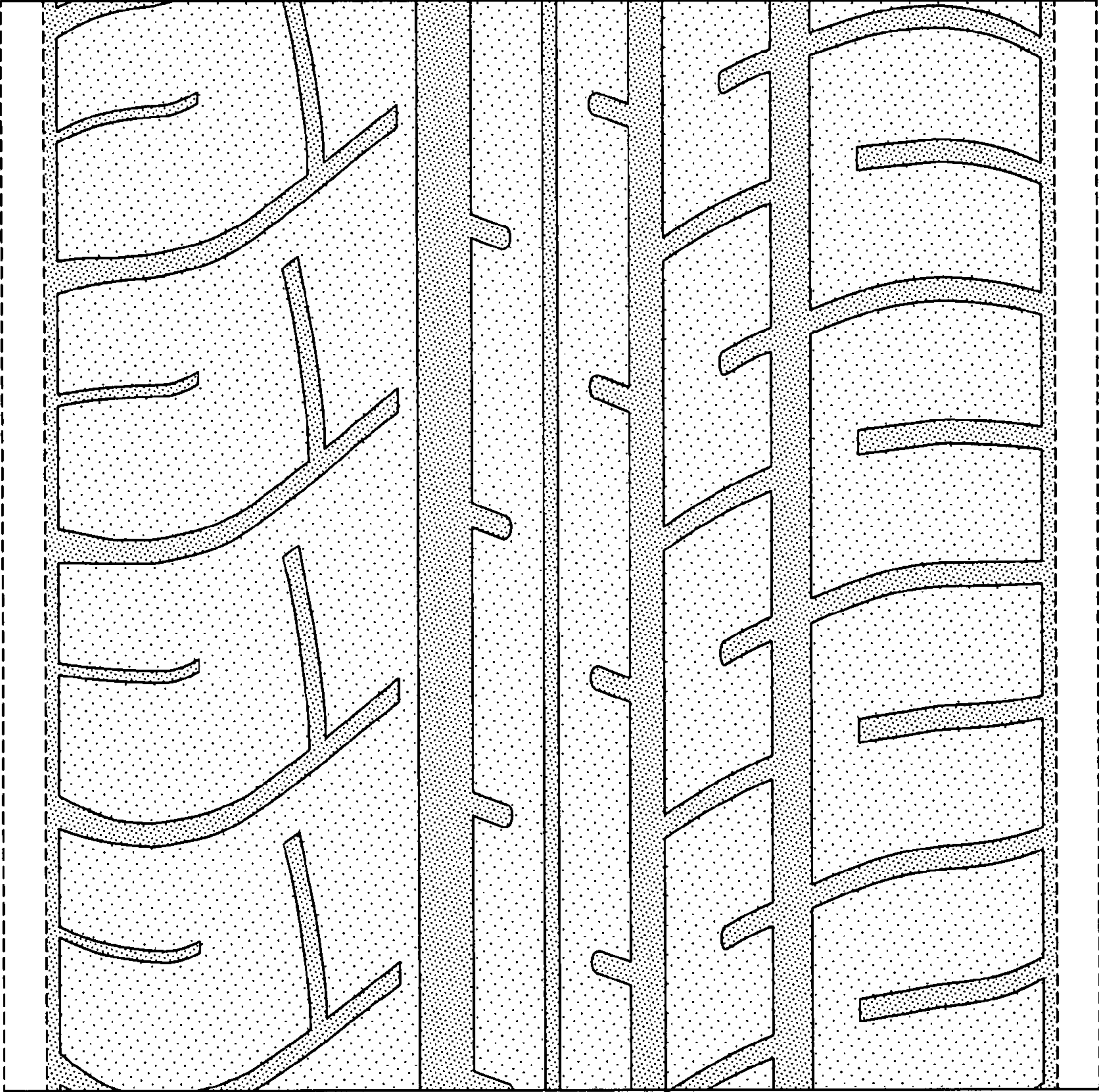


FIG-5