

US00D571279S

(12) **United States Design Patent**
Trusty et al.

(10) **Patent No.: US D571,279 S**
(45) **Date of Patent: ** Jun. 17, 2008**

(54) **SLIDING LADDER AND EQUIPMENT RACK**

Primary Examiner—Cynthia E Ramirez
(74) *Attorney, Agent, or Firm*—Welsh & Katz, Ltd.

(76) Inventors: **Jason Trusty**, 1426 W. Highland Ave.,
Chicago, IL (US) 60660; **Eric Trusty**,
1426 W. Highland Ave., Chicago, IL
(US) 60660

(57) **CLAIM**

The ornamental design for a sliding ladder and equipment rack, as shown and described.

(**) Term: **14 Years**

(21) Appl. No.: **29/241,716**

DESCRIPTION

(22) Filed: **Oct. 31, 2005**

(51) **LOC (8) Cl.** **12-16**

(52) **U.S. Cl.** **D12/414**

(58) **Field of Classification Search** D25/68;
D12/223, 406, 412, 414, 414.1; 224/310,
224/402–405, 570, 309, 316, 321–328, 546,
224/552, 553, 561; 414/462, 456; 280/727,
280/756; 248/340; 108/44; 211/13, 64;
182/92, 127

See application file for complete search history.

FIG. 1 is a perspective view of the sliding ladder and equipment rack having a right mount and a left mount;

FIG. 2 is a perspective view of the left mount thereof;

FIG. 3 is a left side elevational view of the left mount thereof;

FIG. 4 is a front elevational view of the left mount thereof;

FIG. 5 is a top view of the left mount thereof;

FIG. 6 is a back elevational view of the left mount thereof;

FIG. 7 is a right side elevational view of the left mount thereof;

FIG. 8 is a bottom view of the left mount thereof;

FIG. 9 is a perspective view of the right mount thereof;

FIG. 10 is a front elevational view of the right mount thereof;

FIG. 11 is a left side elevational view of the right mount thereof, the right side being a mirror image;

FIG. 12 is a top view of the right mount thereof;

FIG. 13 is a back elevational view of the right mount thereof; and,

FIG. 14 is a bottom view of the right mount thereof.

The left mount and the right mount of the equipment rack have been shown separated in FIGS. 2 through 14 for convenience of illustration.

The phantom line showing the environment is for illustrative purposes only and forms no part of the claimed design.

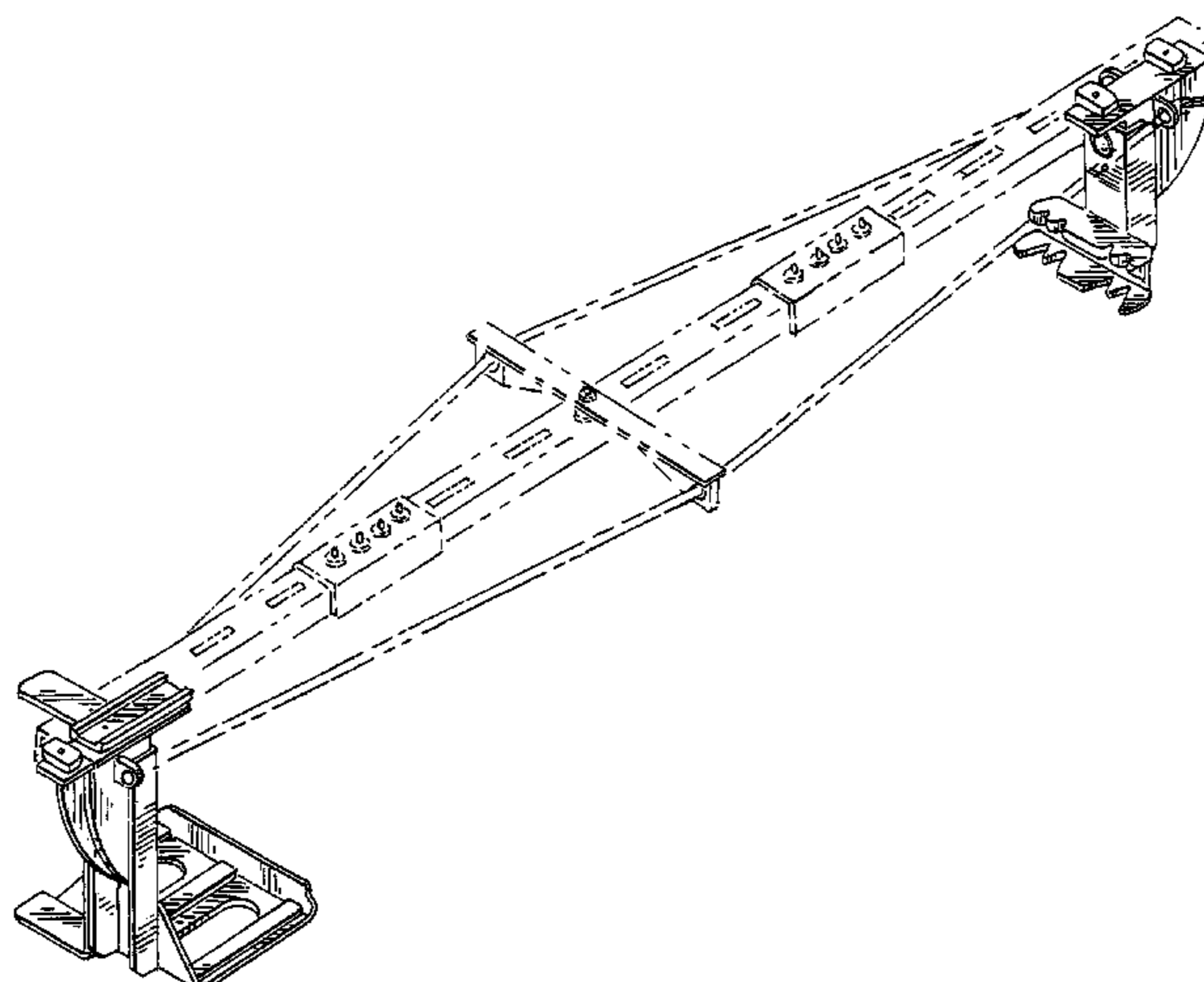
(56) **References Cited**

U.S. PATENT DOCUMENTS

2,840,288	A	6/1958	Broddon	224/42.1
2,998,885	A	9/1961	Surface	211/64
3,830,389	A *	8/1974	Van Acker	414/462
3,888,398	A	6/1975	Payne	224/42.1
3,904,094	A	9/1975	Correll	224/42.1
4,413,801	A	11/1983	Lancaster et al.	248/316 A
D300,813	S *	4/1989	Kamaya	D12/412
4,923,103	A	5/1990	Sauber	224/42.45 R
5,172,952	A	12/1992	Lasnetski	296/37.8
5,242,094	A	9/1993	Finley	224/324
D344,482	S *	2/1994	Arvidsson	D12/412
D346,355	S *	4/1994	Weger, Jr. et al.	D12/412
5,632,591	A	5/1997	Henriquez	414/462
D382,245	S *	8/1997	Bedrosian et al.	D12/223
D410,429	S *	6/1999	Derecktor	D12/406
D411,163	S *	6/1999	Bunter	D12/414
6,315,181	B1	11/2001	Bradley et al.	224/310
D459,483	S *	6/2002	Roy	D25/68

(Continued)

1 Claim, 5 Drawing Sheets



US D571,279 S

Page 2

U.S. PATENT DOCUMENTS

6,427,889 B1 *	8/2002	Levi	224/315	6,854,627 B2 *	2/2005	Foo et al.	224/310
6,511,271 B1	1/2003	Saroka	410/120	7,137,479 B2 *	11/2006	Ziaylek et al.	182/127
6,688,428 B2 *	2/2004	Carroll, Jr.	182/127	D537,771 S *	3/2007	Pflieger	D12/406
6,764,268 B2 *	7/2004	Levi	414/462	2004/0047716 A1 *	3/2004	Hendley et al.	414/462
D497,589 S *	10/2004	Elwell et al.	D12/414	2005/0079036 A1	4/2005	Richter	414/462

* cited by examiner

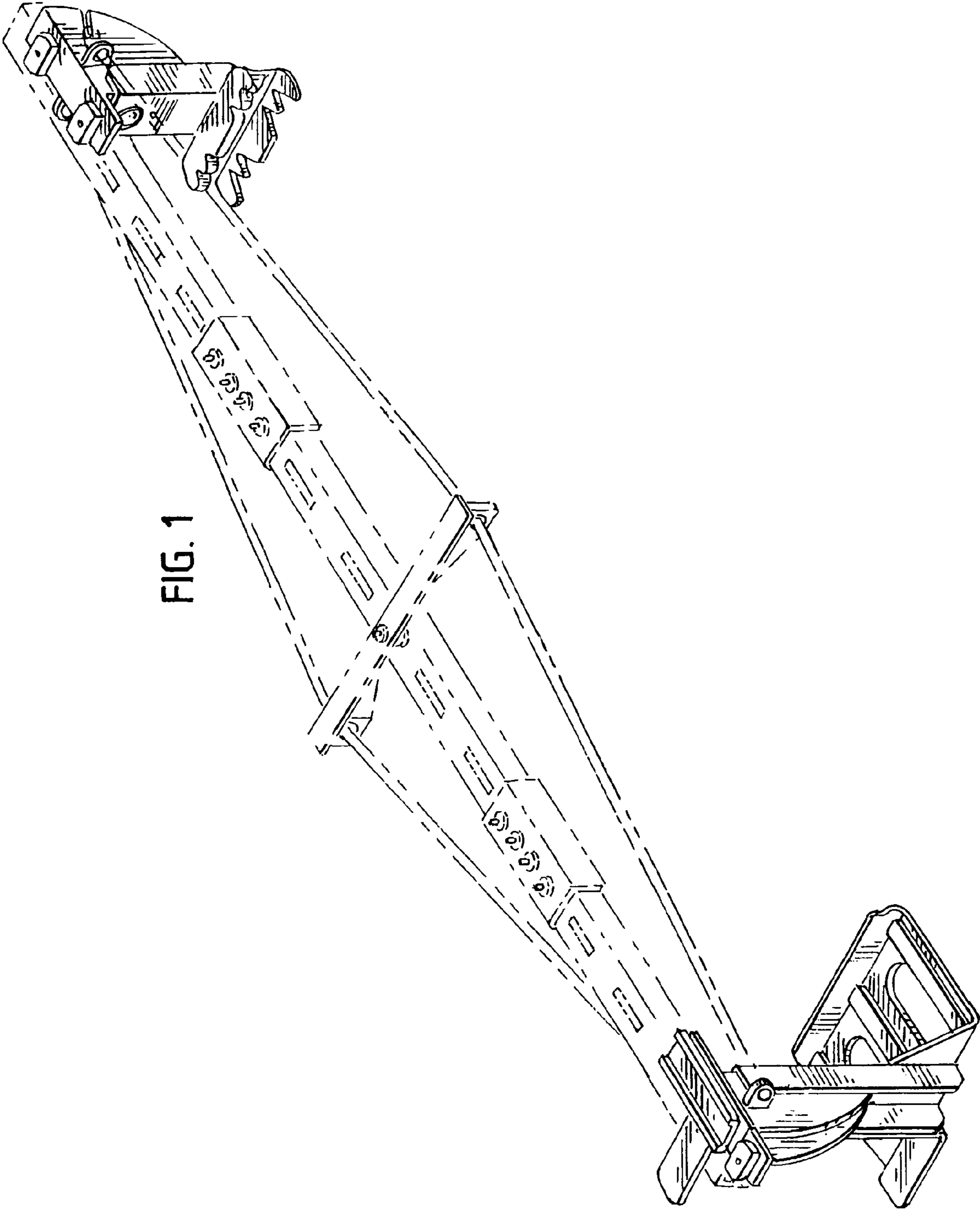


FIG. 1

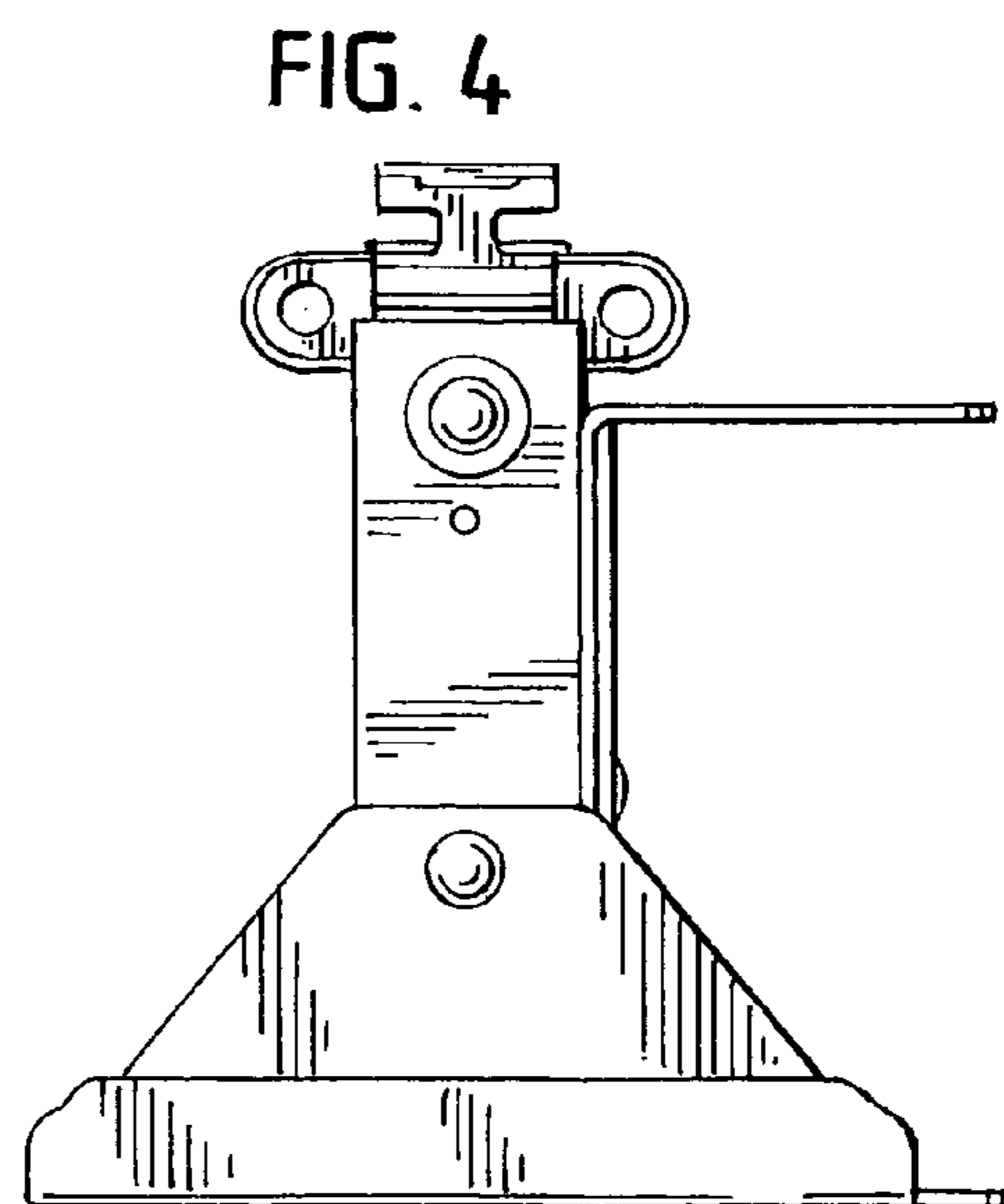
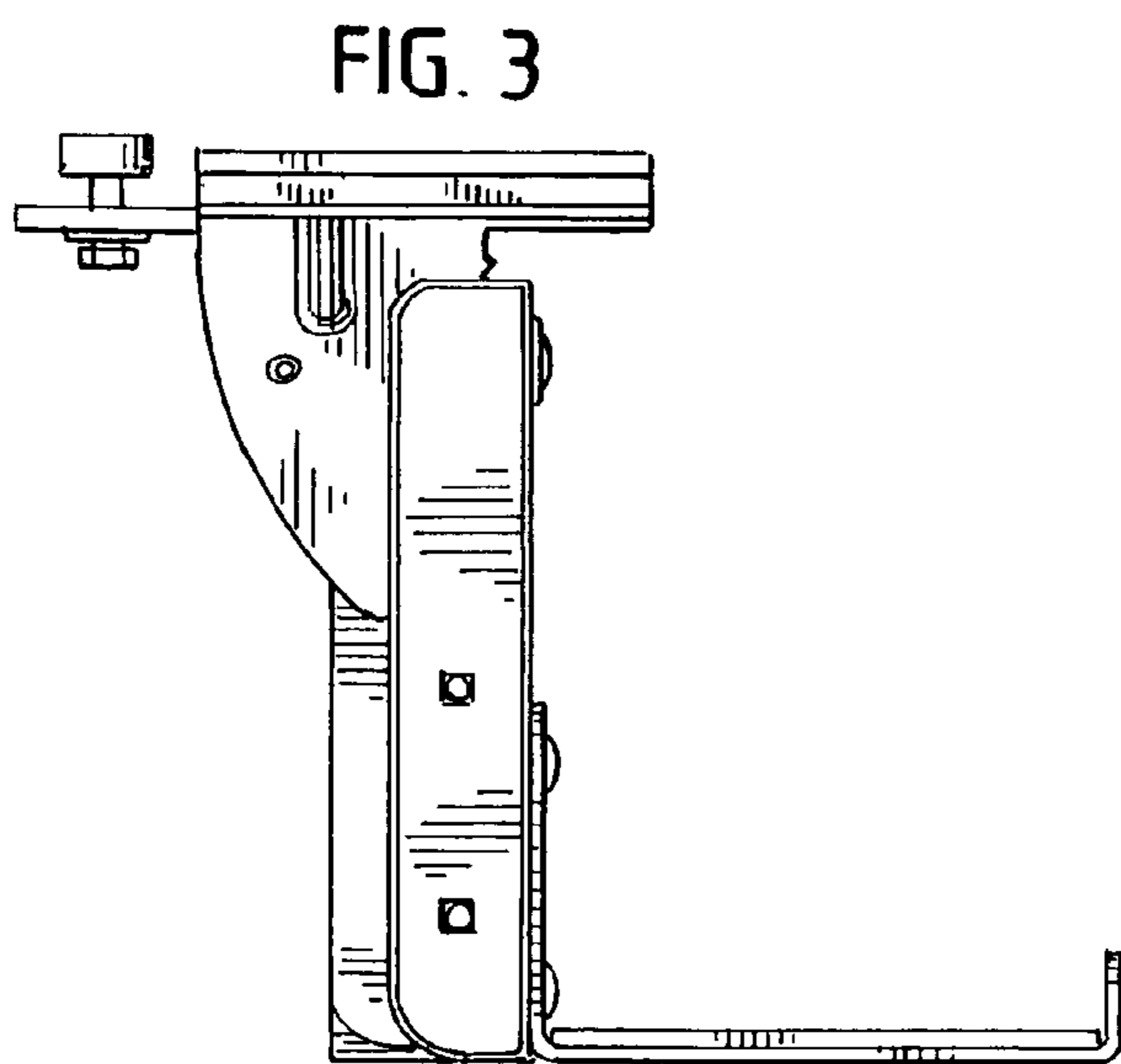
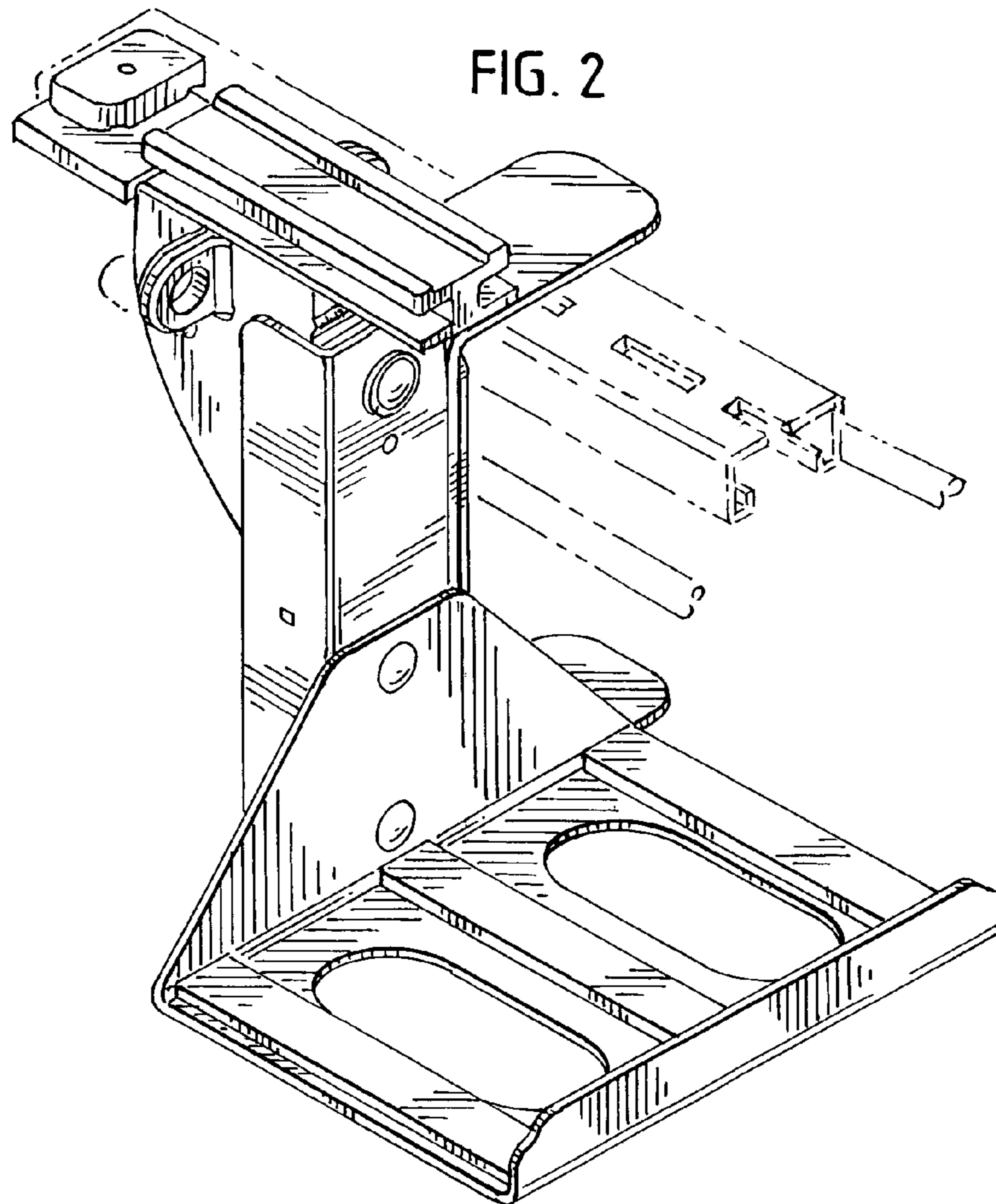


FIG. 5

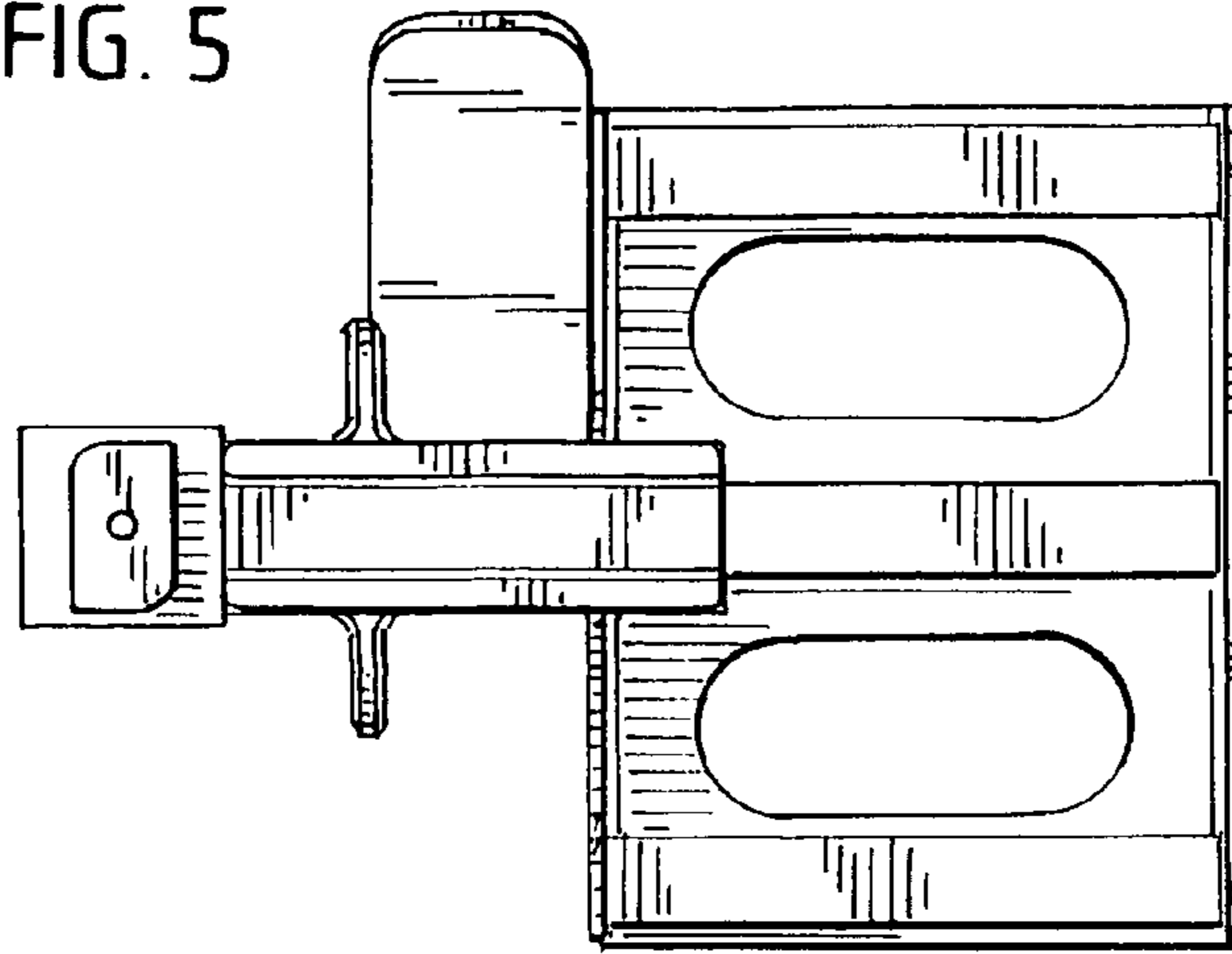


FIG. 6

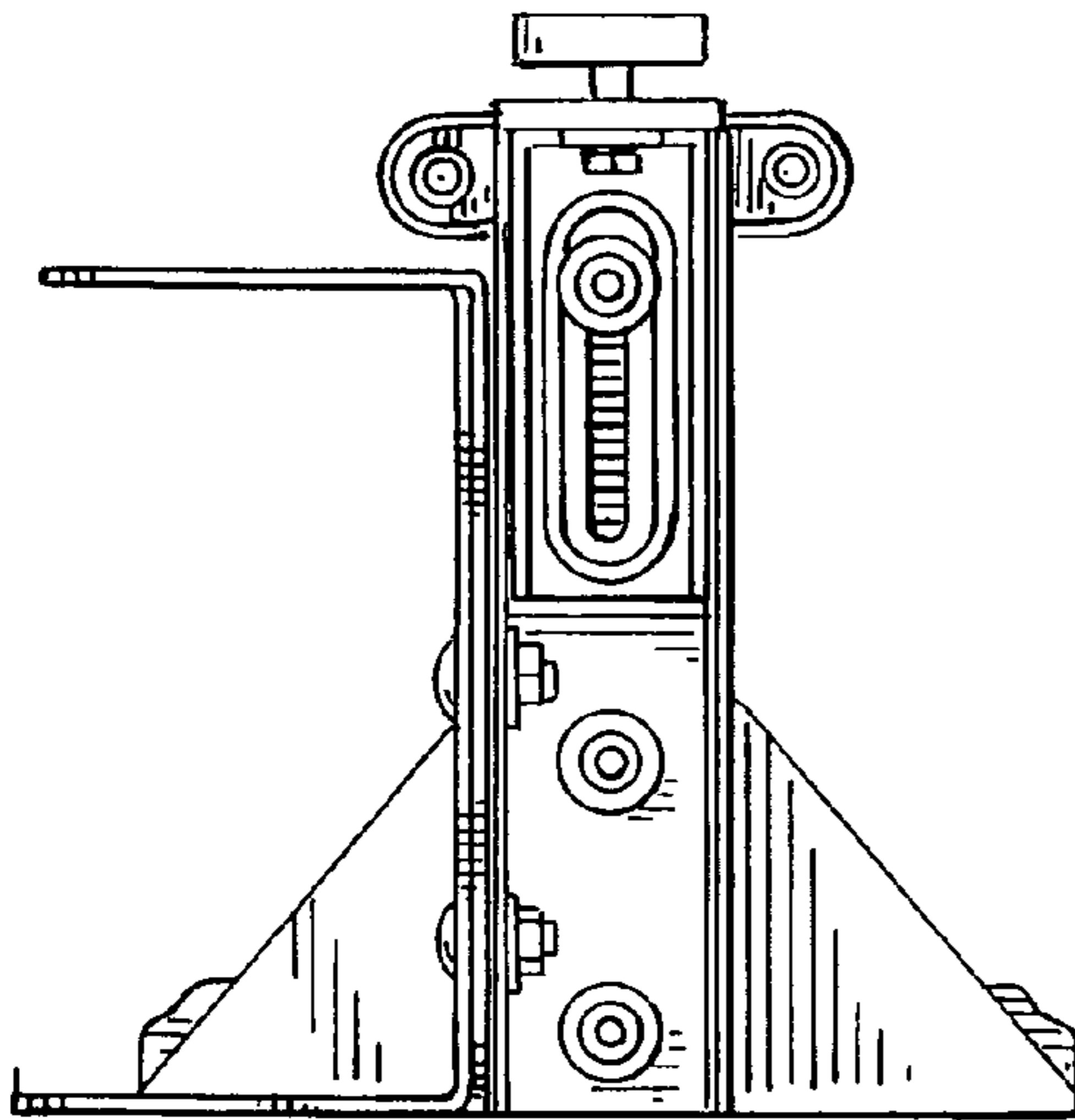


FIG. 7

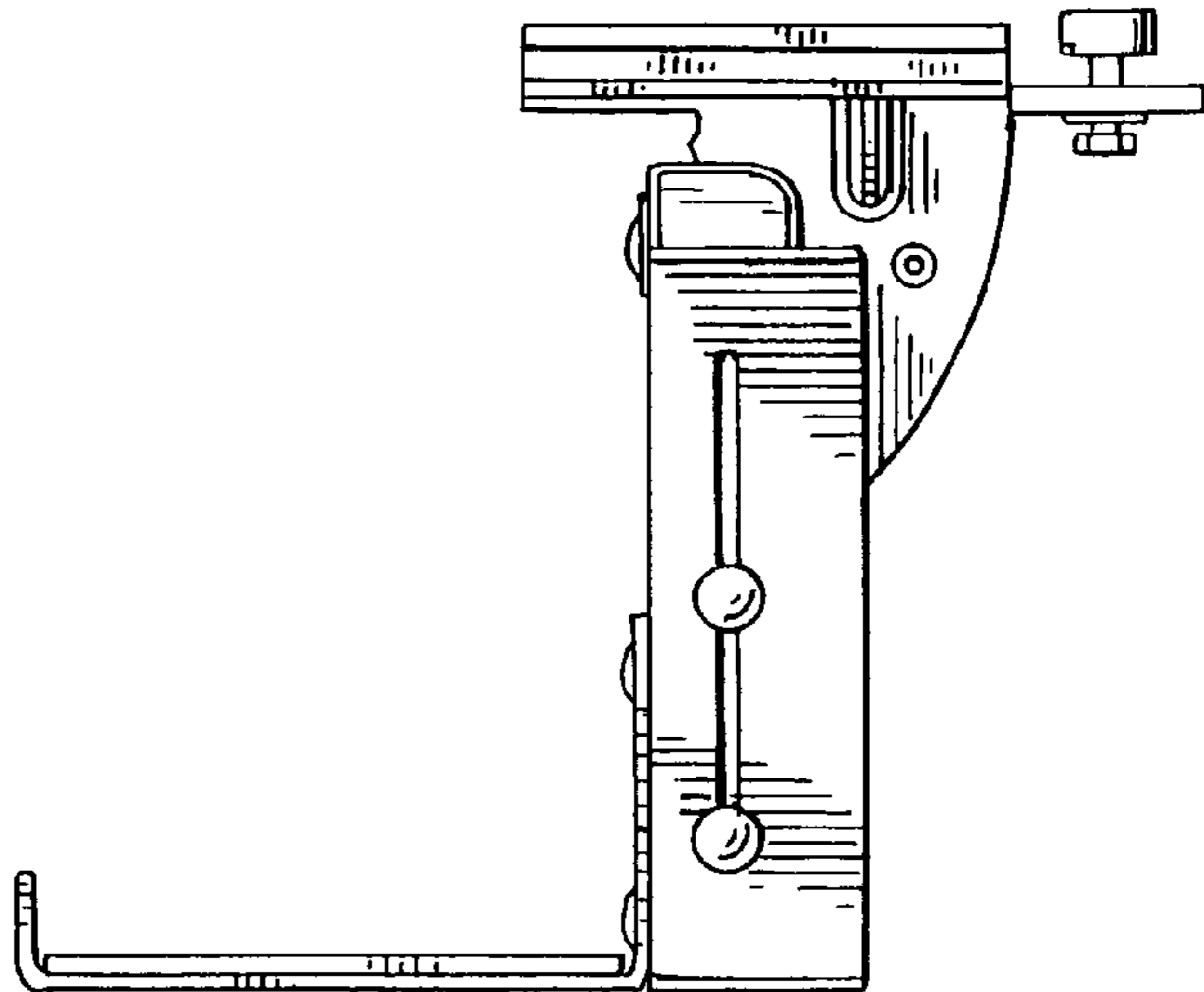
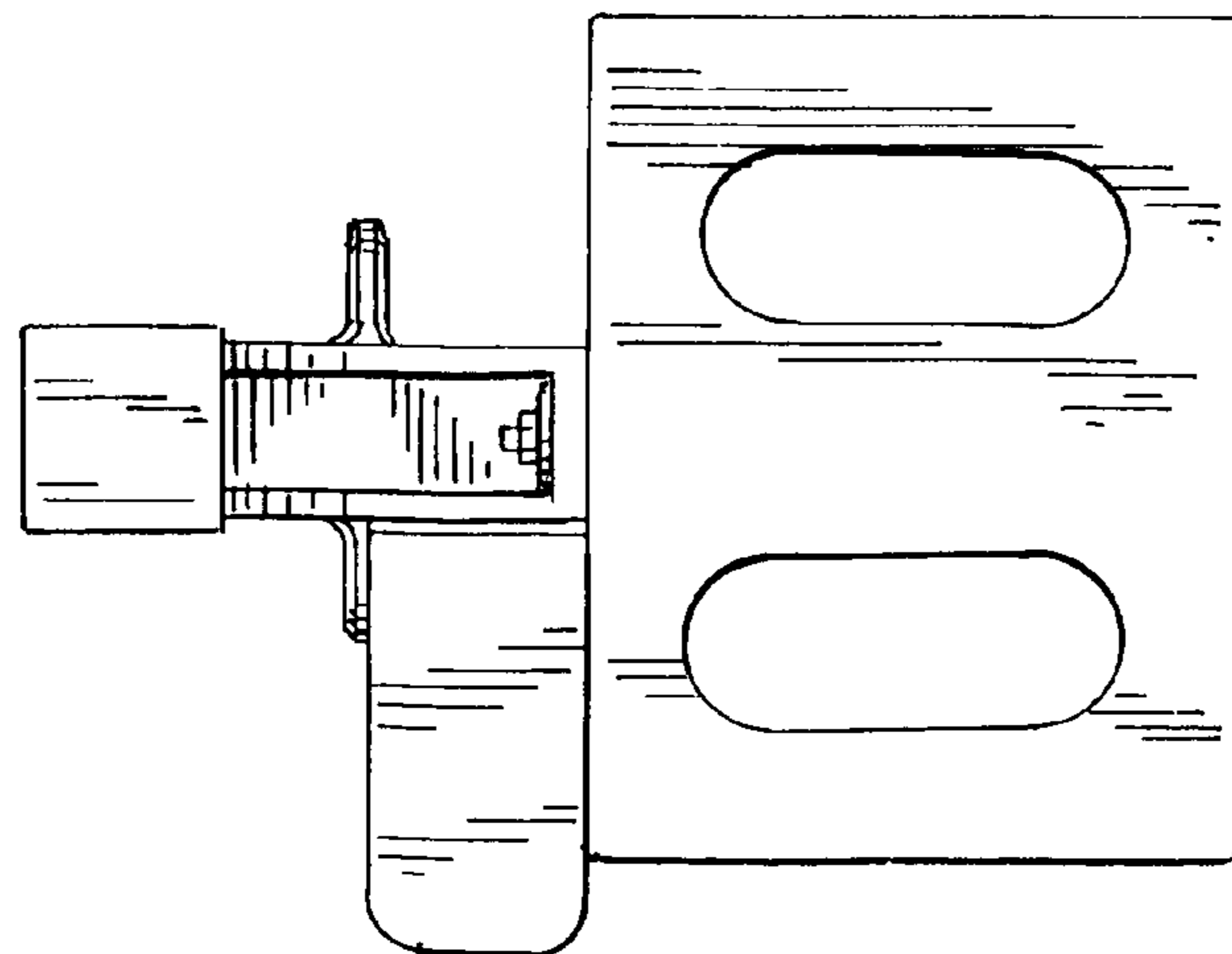


FIG. 8



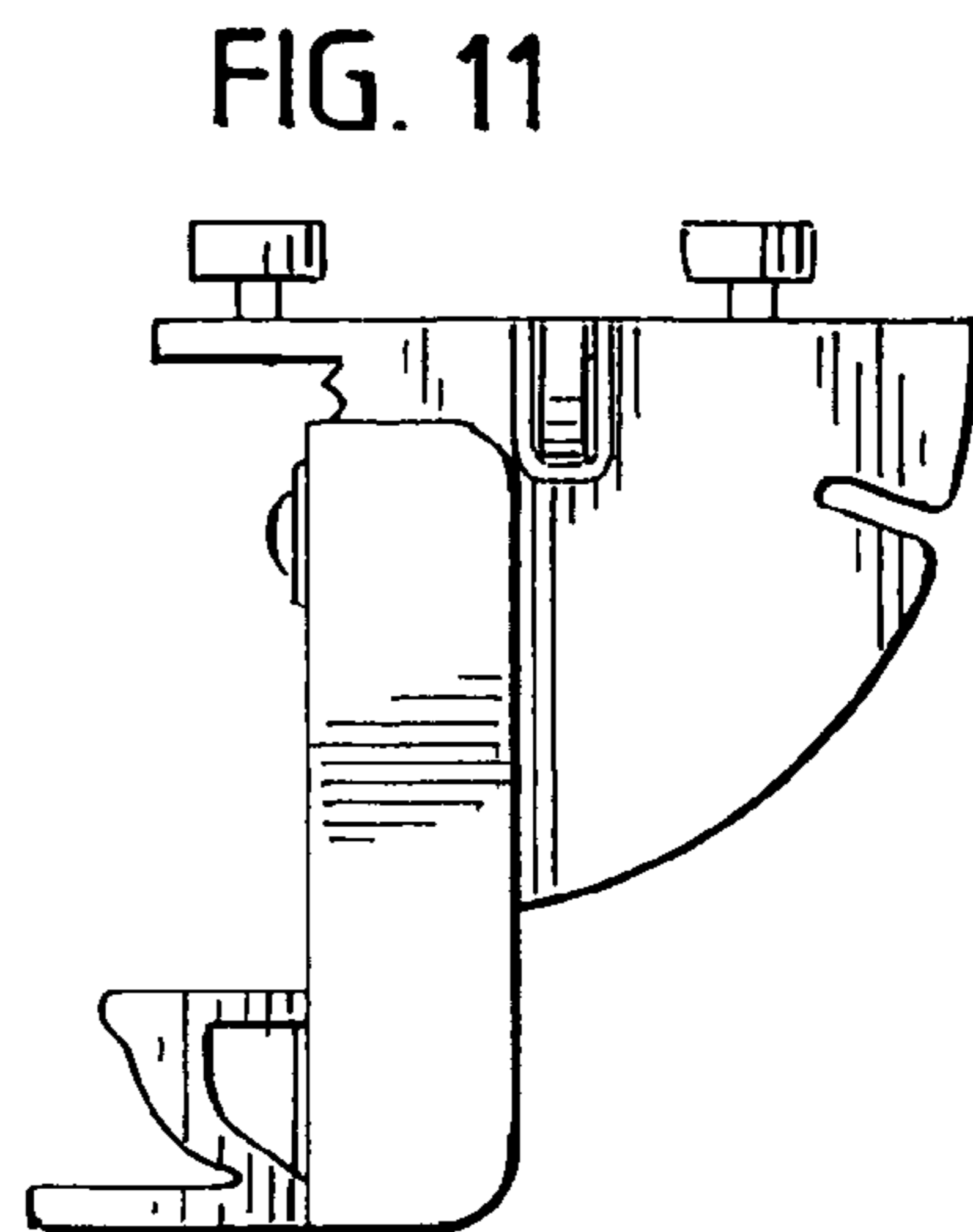
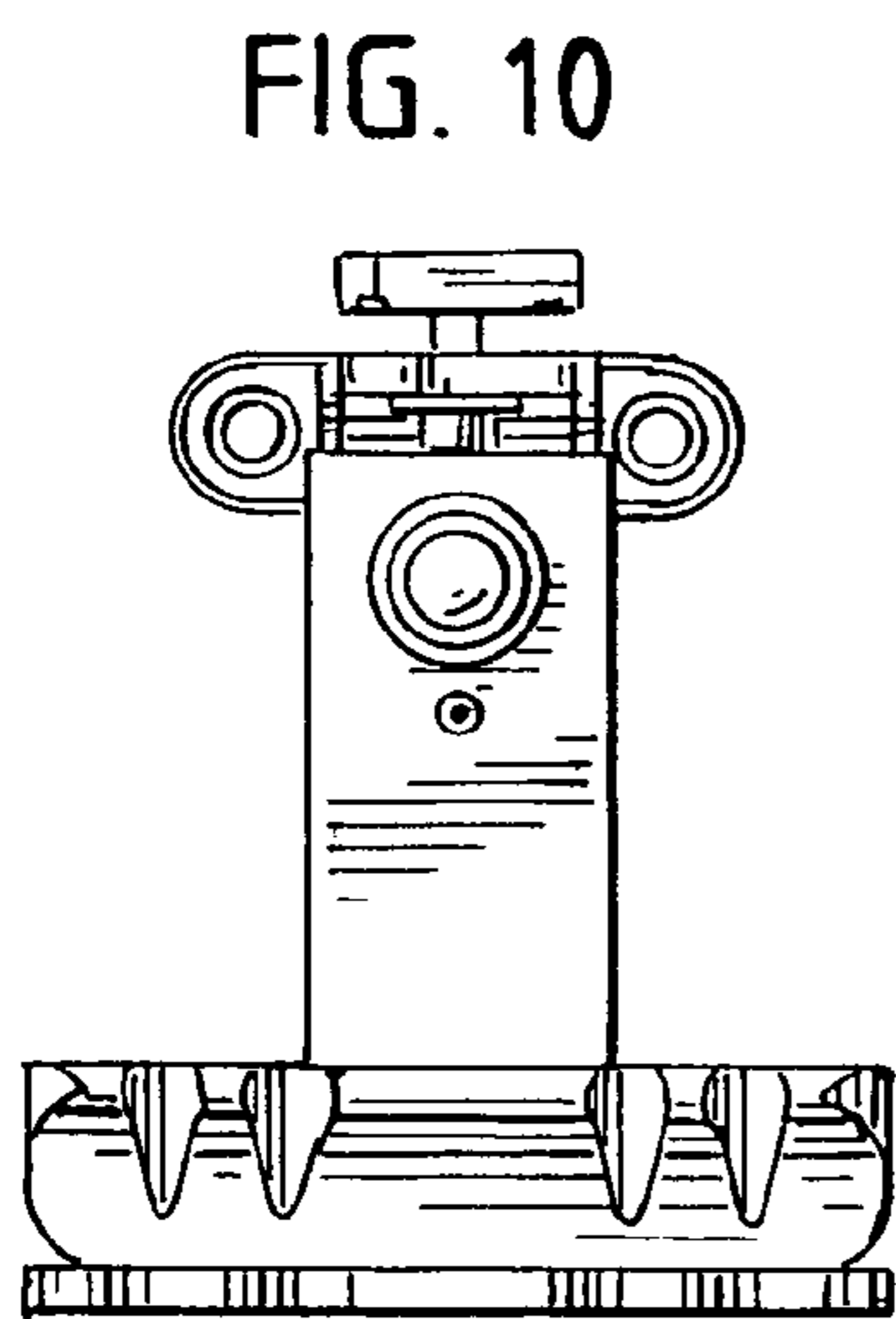
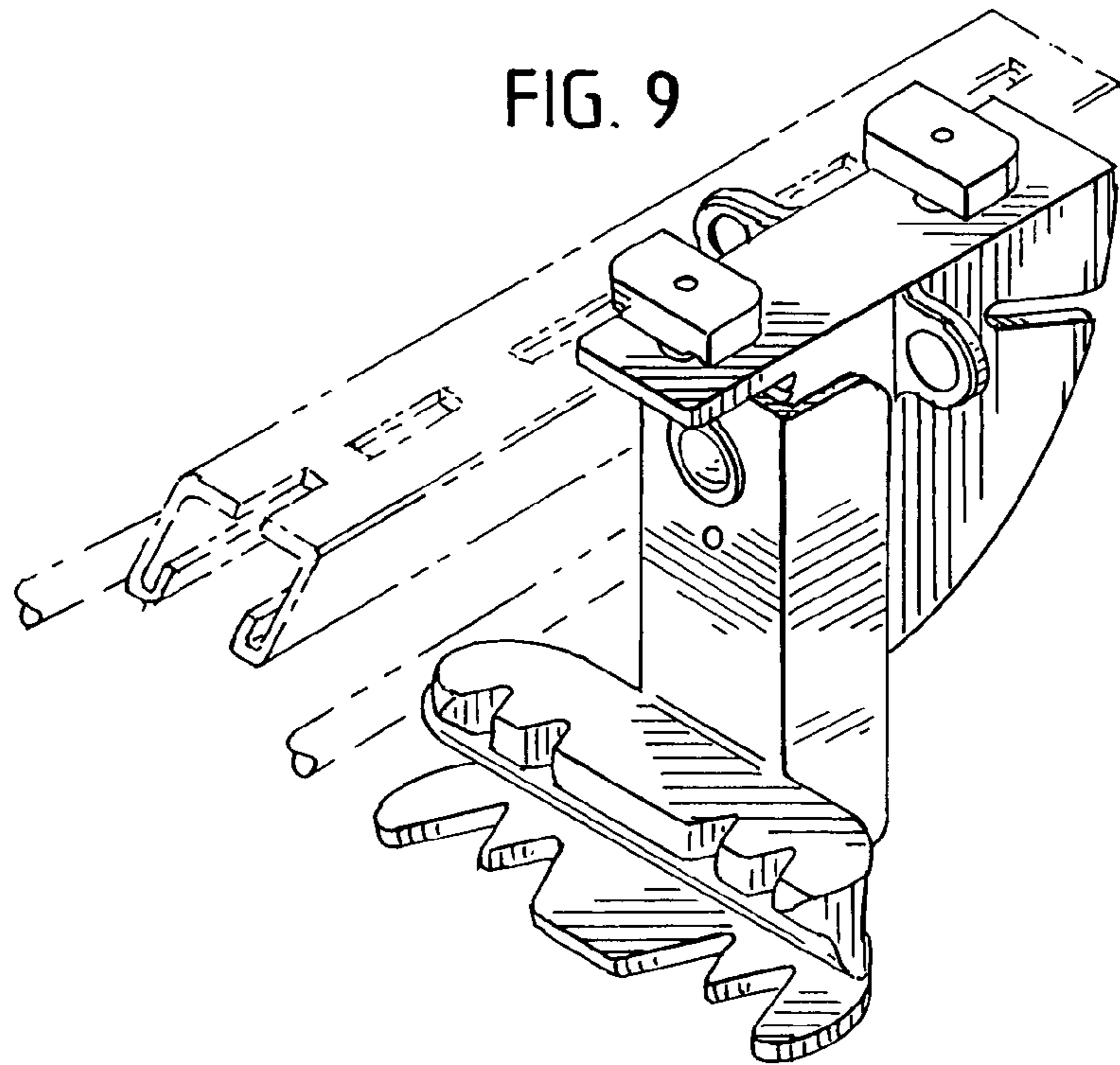


FIG. 12

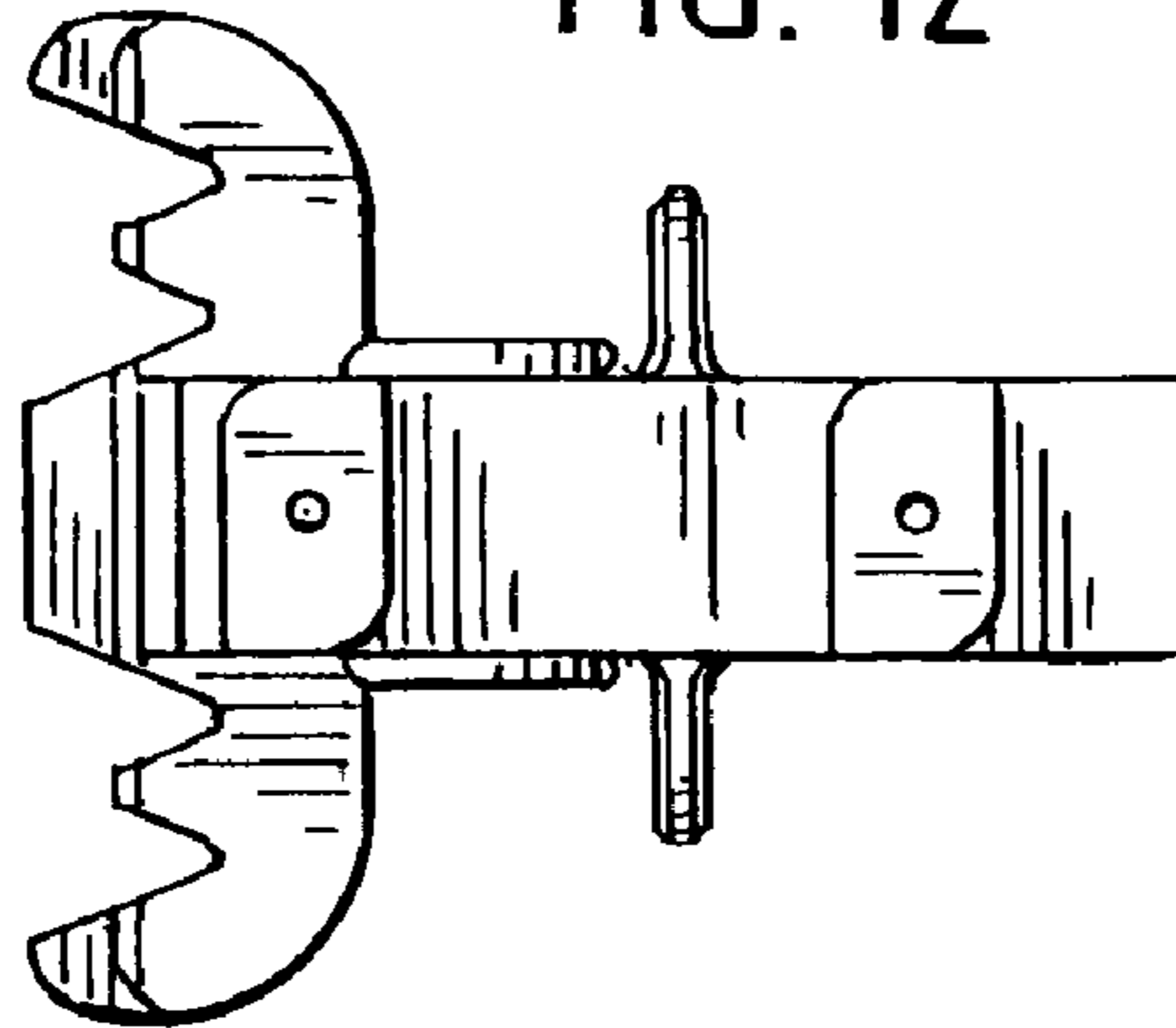


FIG. 13

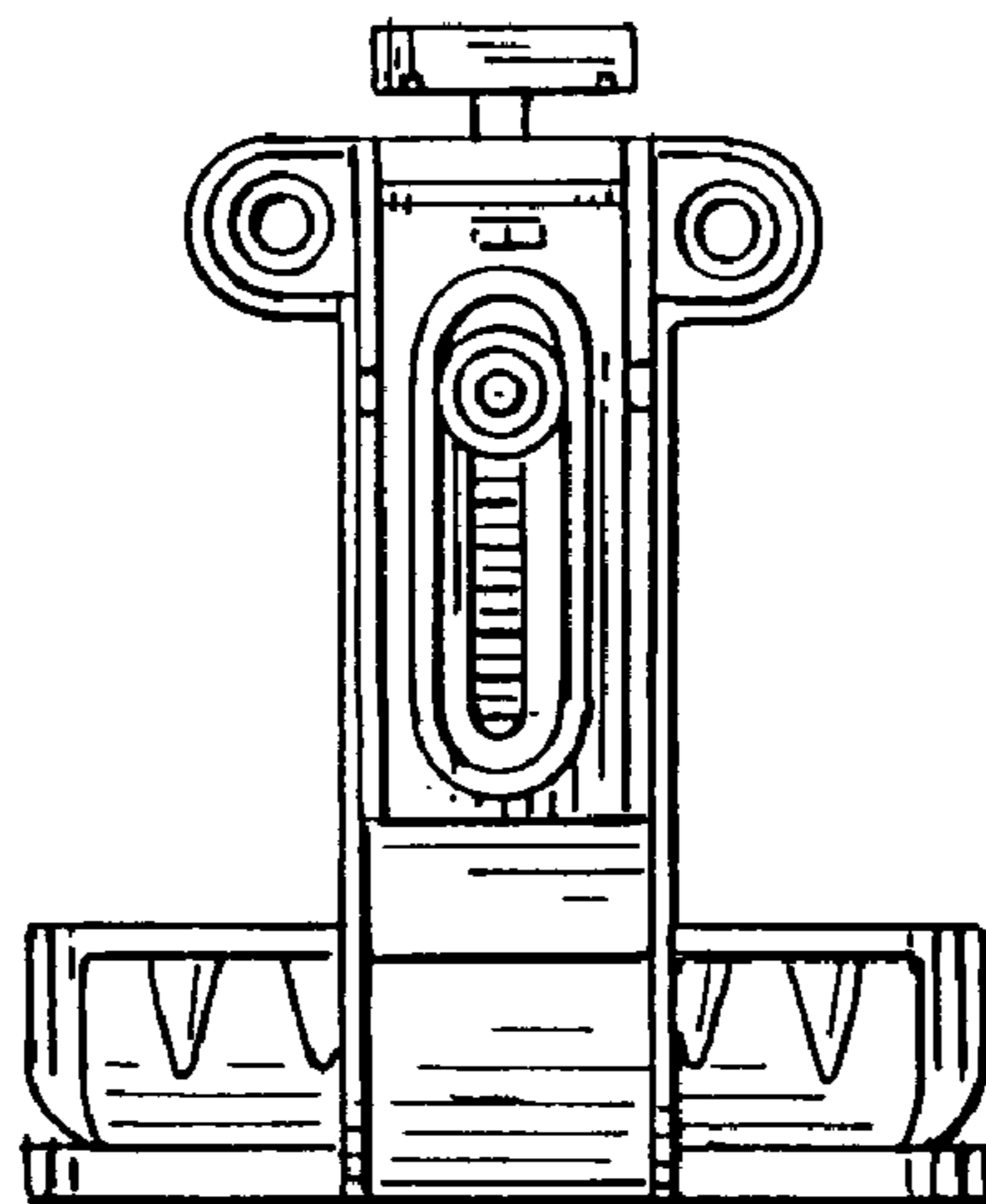


FIG. 14

