



US00D571275S

(12) **United States Design Patent**  
**Norman**

(10) **Patent No.:** **US D571,275 S**  
(45) **Date of Patent:** **\*\* \*Jun. 17, 2008**

(54) **FLUIDIC DAMPENING DEVICE**

(74) *Attorney, Agent, or Firm*—Fehr Law Firm; Thompson E. Fehr

(76) **Inventor:** **Ralph S. Norman**, 290 A Trousdale Dr.,  
Chula Vista, CA (US) 91910

(57) **CLAIM**

(\*) **Notice:** This patent is subject to a terminal disclaimer.

I claim the ornamental design for a fluidic dampening device, as shown and described.

(\*\*) **Term:** **14 Years**

**DESCRIPTION**

(21) **Appl. No.:** **29/201,458**

FIG. 1 provides a lateral view from the rear of the fluidic dampening device.

(22) **Filed:** **Mar. 15, 2004**

FIG. 2 shows a front view of the fluidic dampening device.

(51) **LOC (8) Cl.** ..... **12-11**

FIG. 3 is a lateral view from the left side of the fluidic dampening device.

(52) **U.S. Cl.** ..... **D12/218**

FIG. 4 is a lateral view from the right side of the fluidic dampening device.

(58) **Field of Classification Search** ..... D12/110,  
D12/218; 180/219; 280/833, 835, 274, 275,  
280/277, 276, 279, 288.1–288.4, 281.1, 90,  
280/272; 188/306, 310

See application file for complete search history.

FIG. 5 is a plan view from above the fluidic dampening device.

(56) **References Cited**

**U.S. PATENT DOCUMENTS**

- D229,612 S \* 12/1973 German ..... D12/218
- D230,151 S \* 1/1974 Morris ..... D12/218
- 6,401,884 B2 \* 6/2002 Norman et al. .... 188/310

FIG. 6 shows the bottom of the fluidic dampening device.

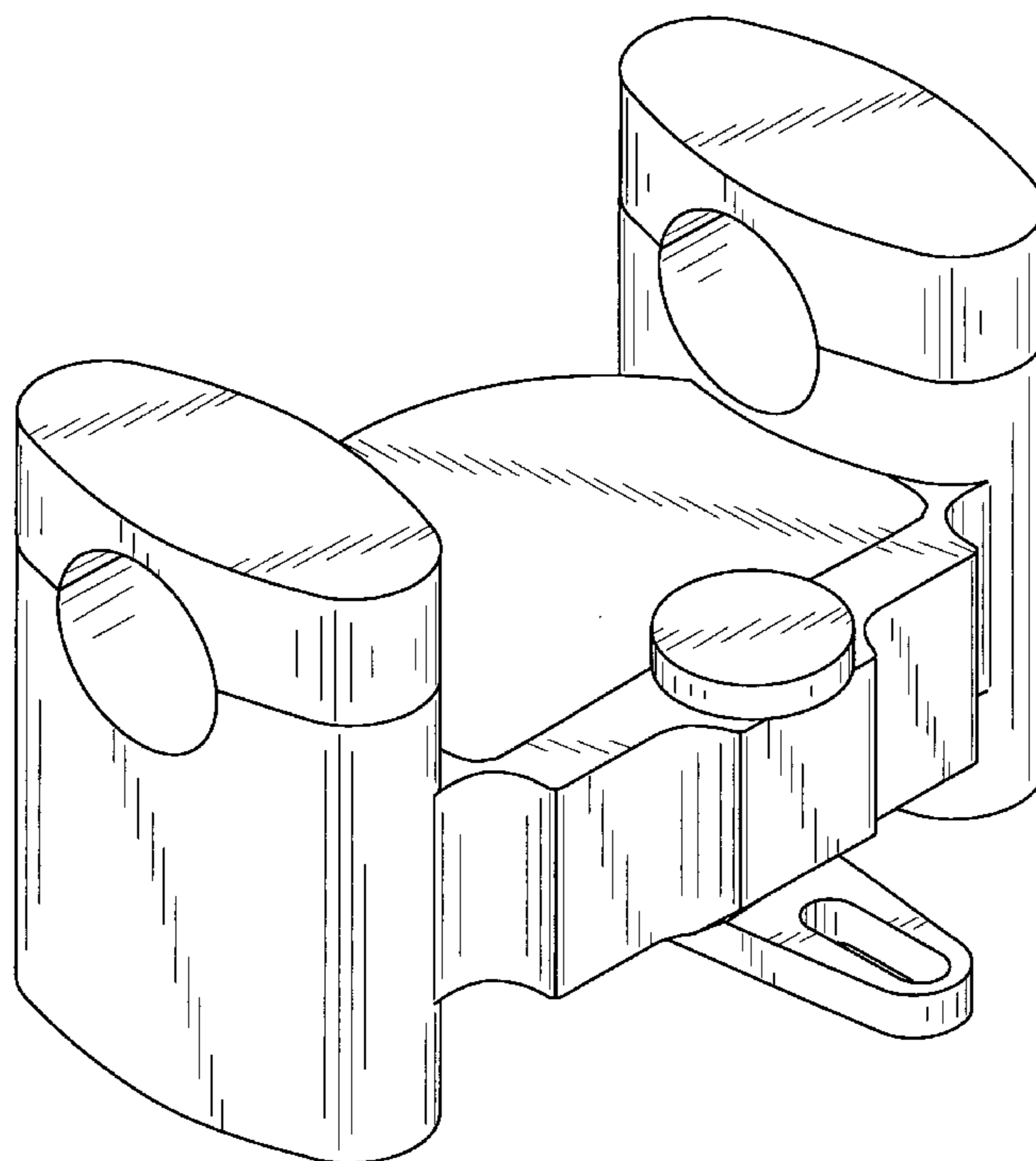
FIG. 7 illustrates the fluidic dampening device attached to a triple clamp, which is shown in broken lines for illustrative purposes only and forms no part of the claimed design; and,

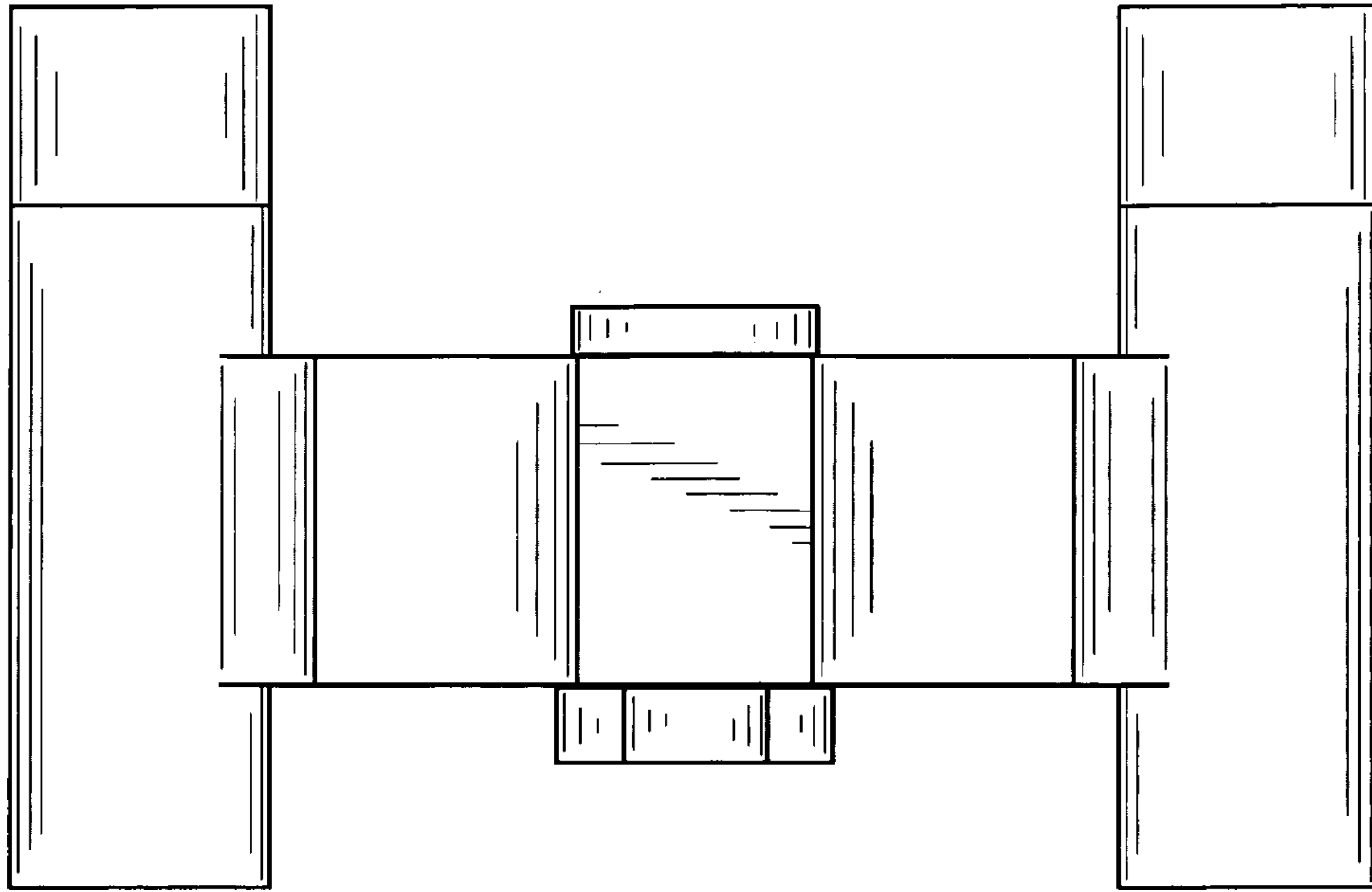
FIG. 8 is a perspective view from the left side of the fluidic dampening device, the perspective view from the right side being a mirror image.

\* cited by examiner

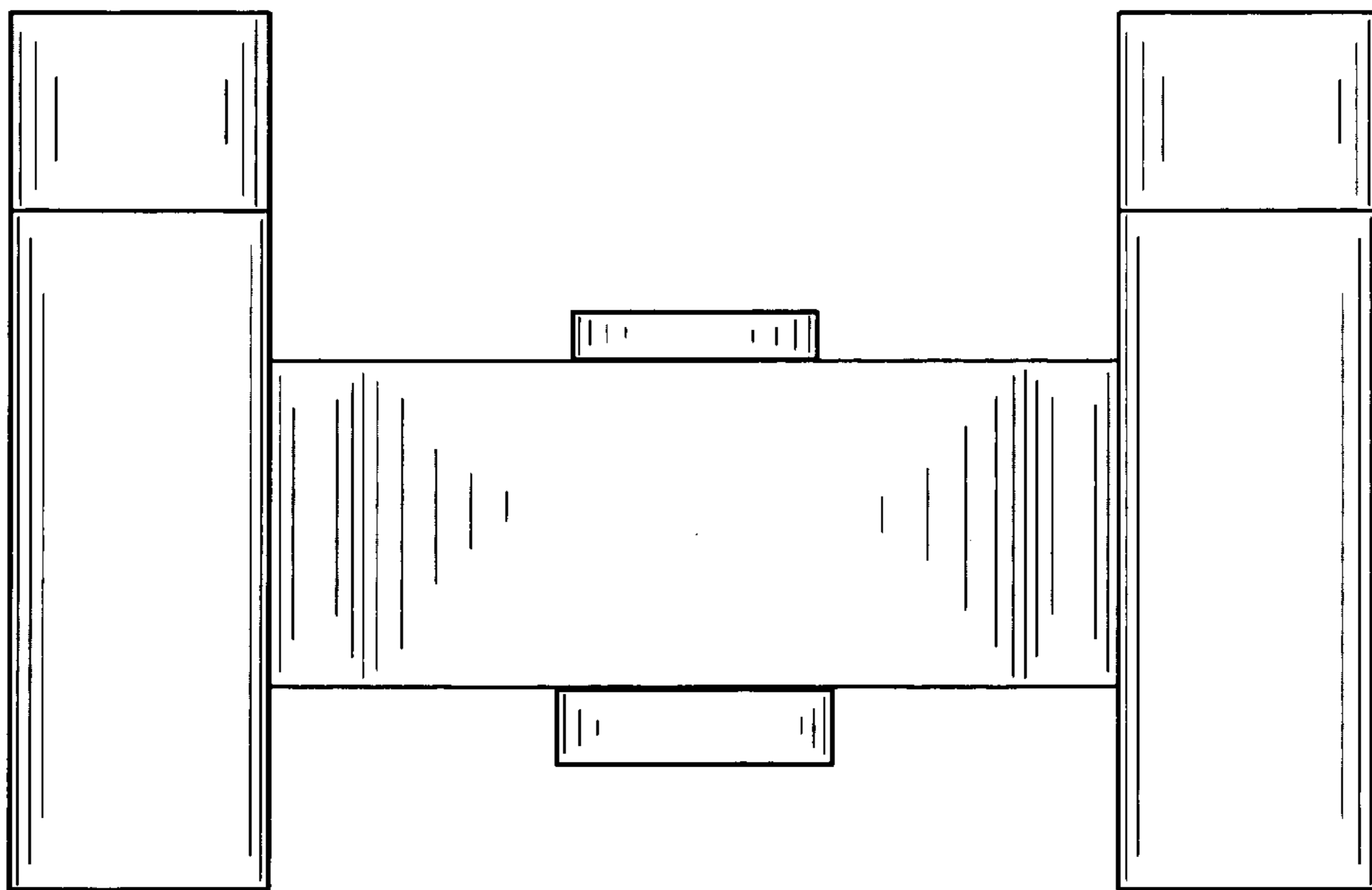
*Primary Examiner*—Cathron Brooks  
*Assistant Examiner*—Linda Brooks

**1 Claim, 5 Drawing Sheets**

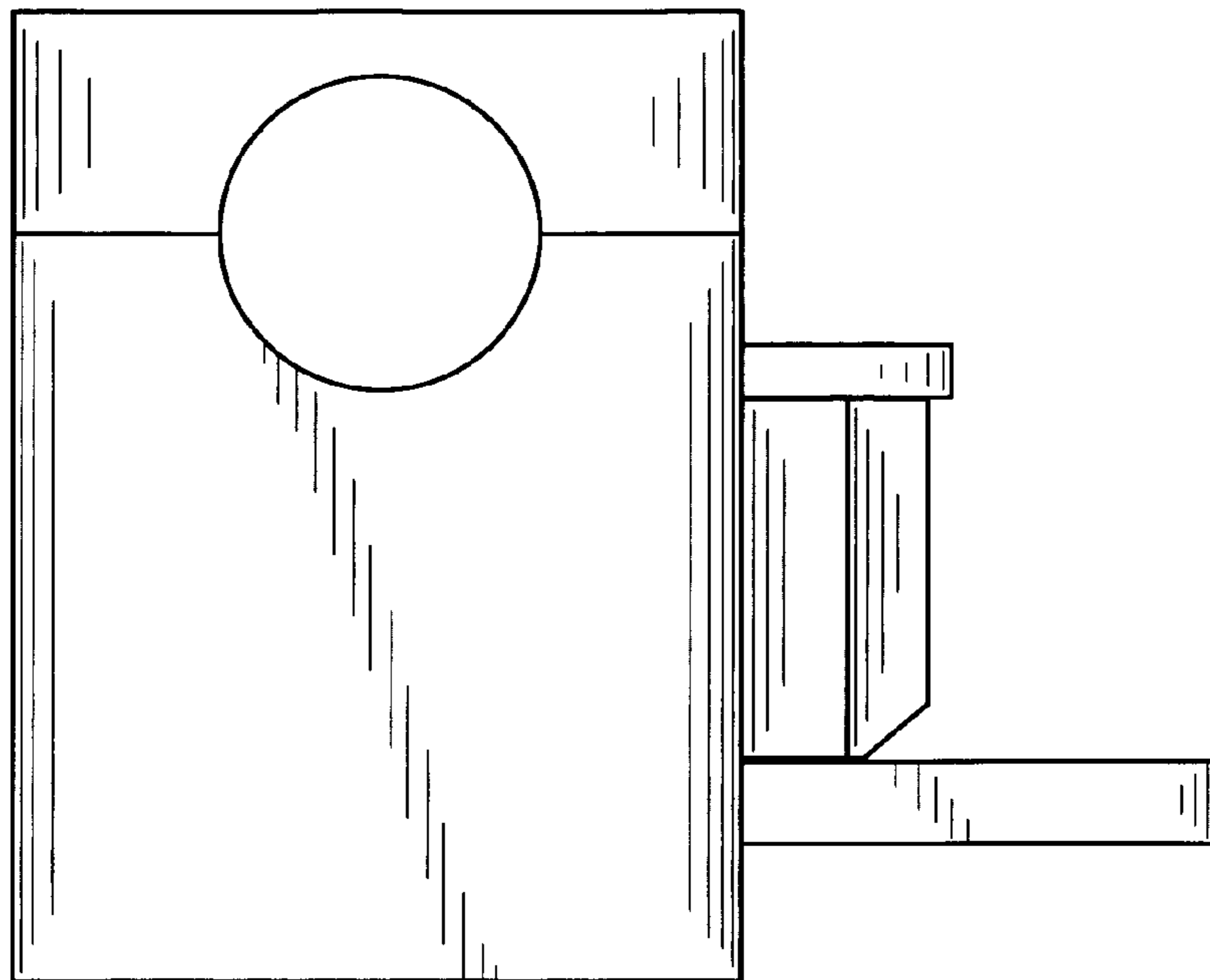




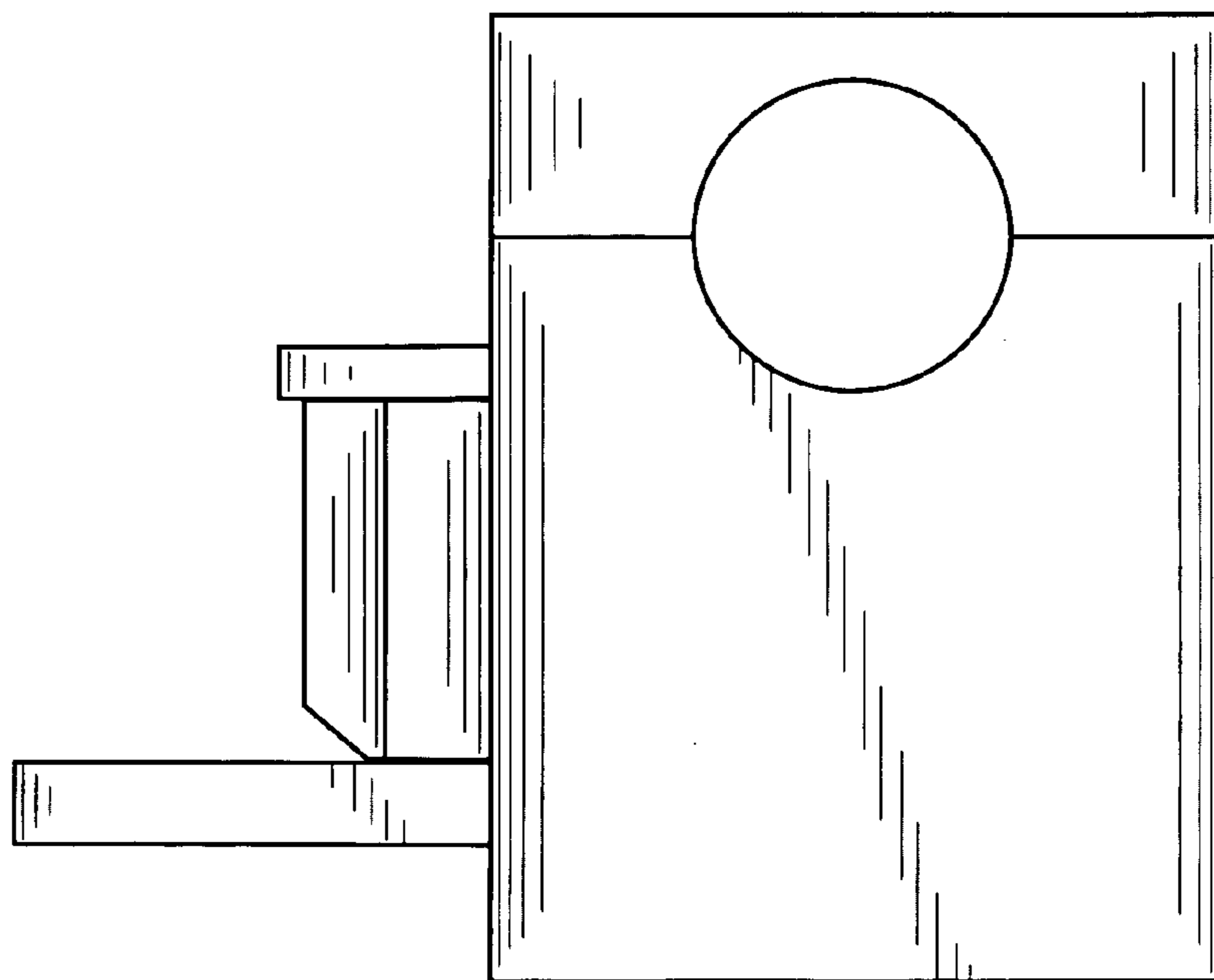
**FIG. 1**



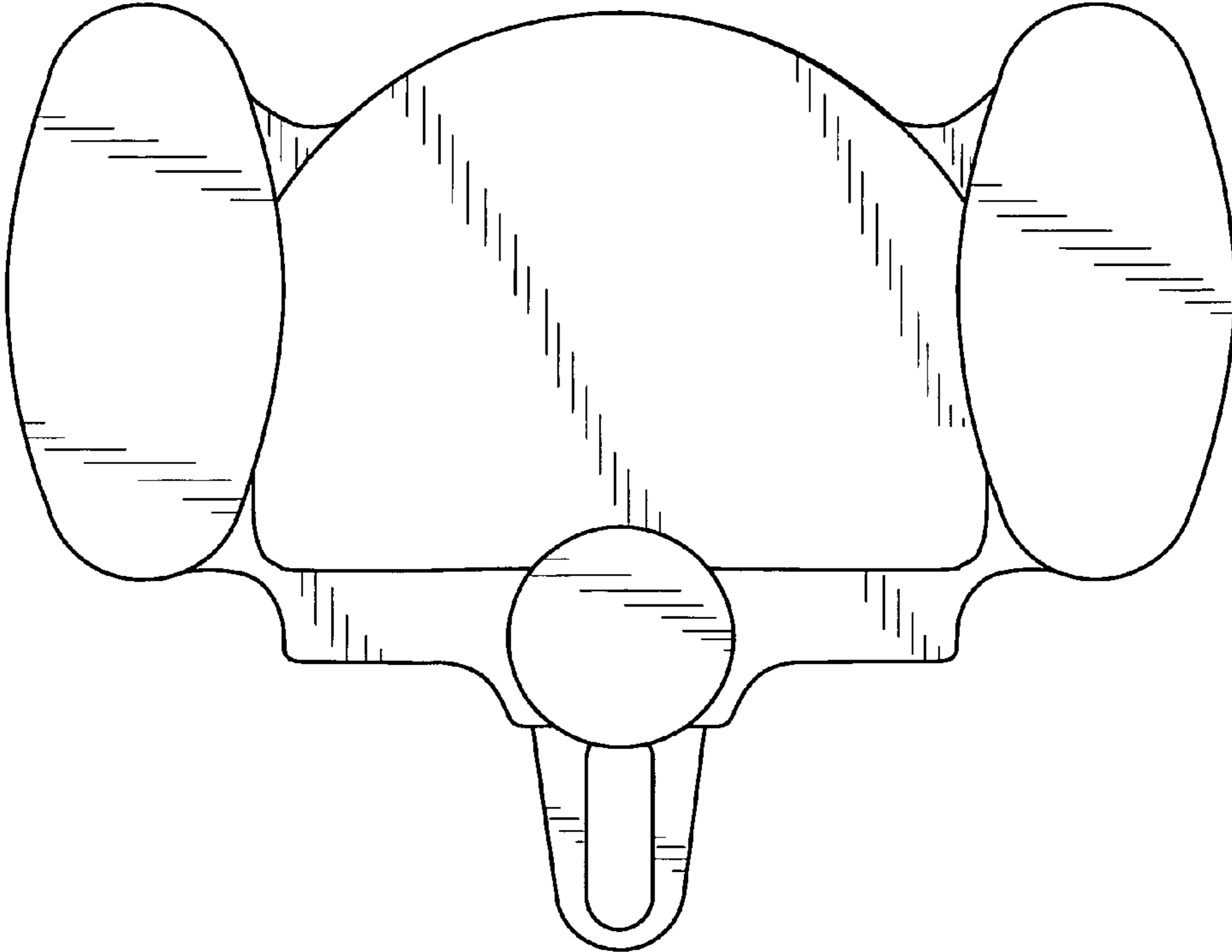
**FIG. 2**



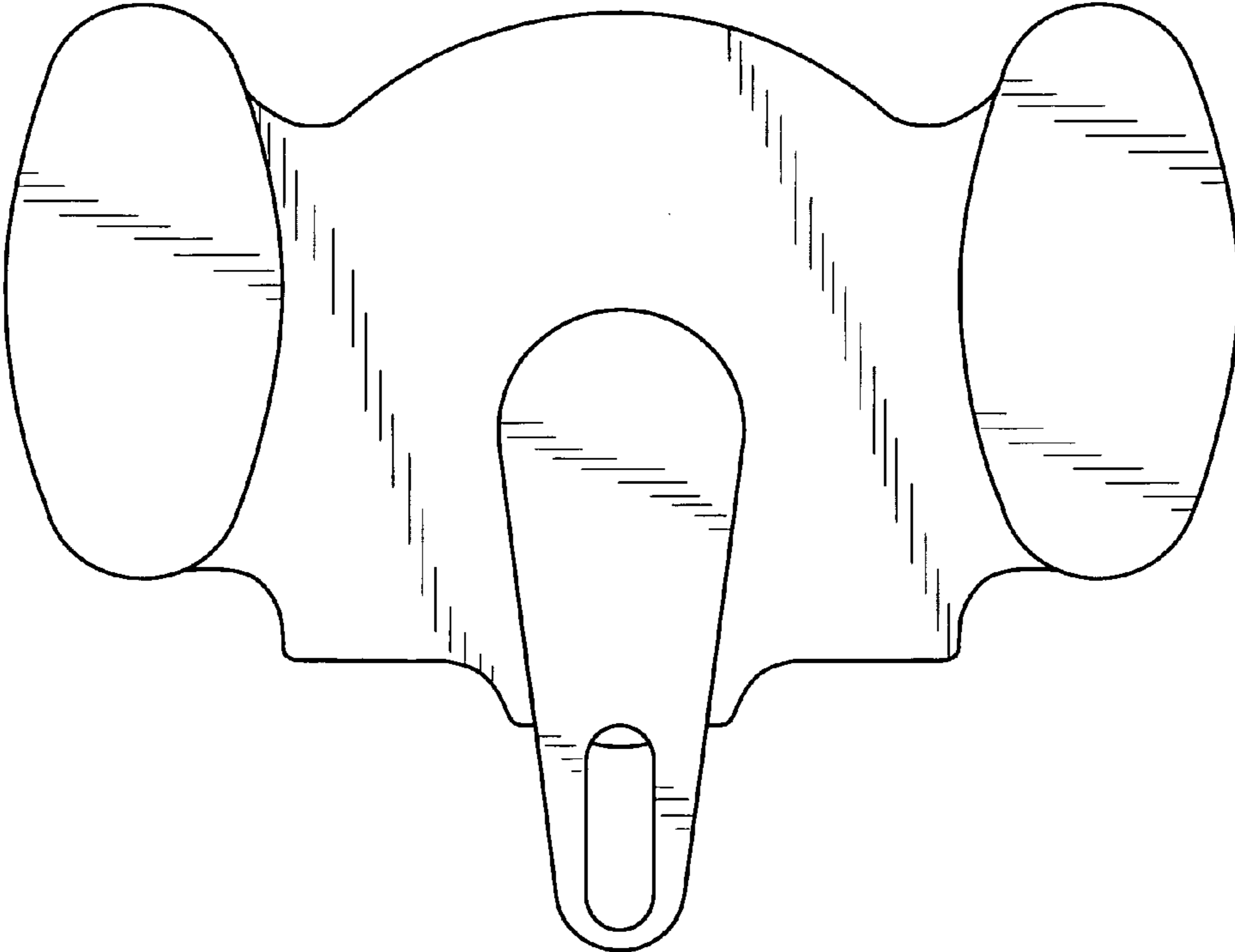
**FIG. 3**



**FIG. 4**



**FIG. 5**



**FIG. 6**

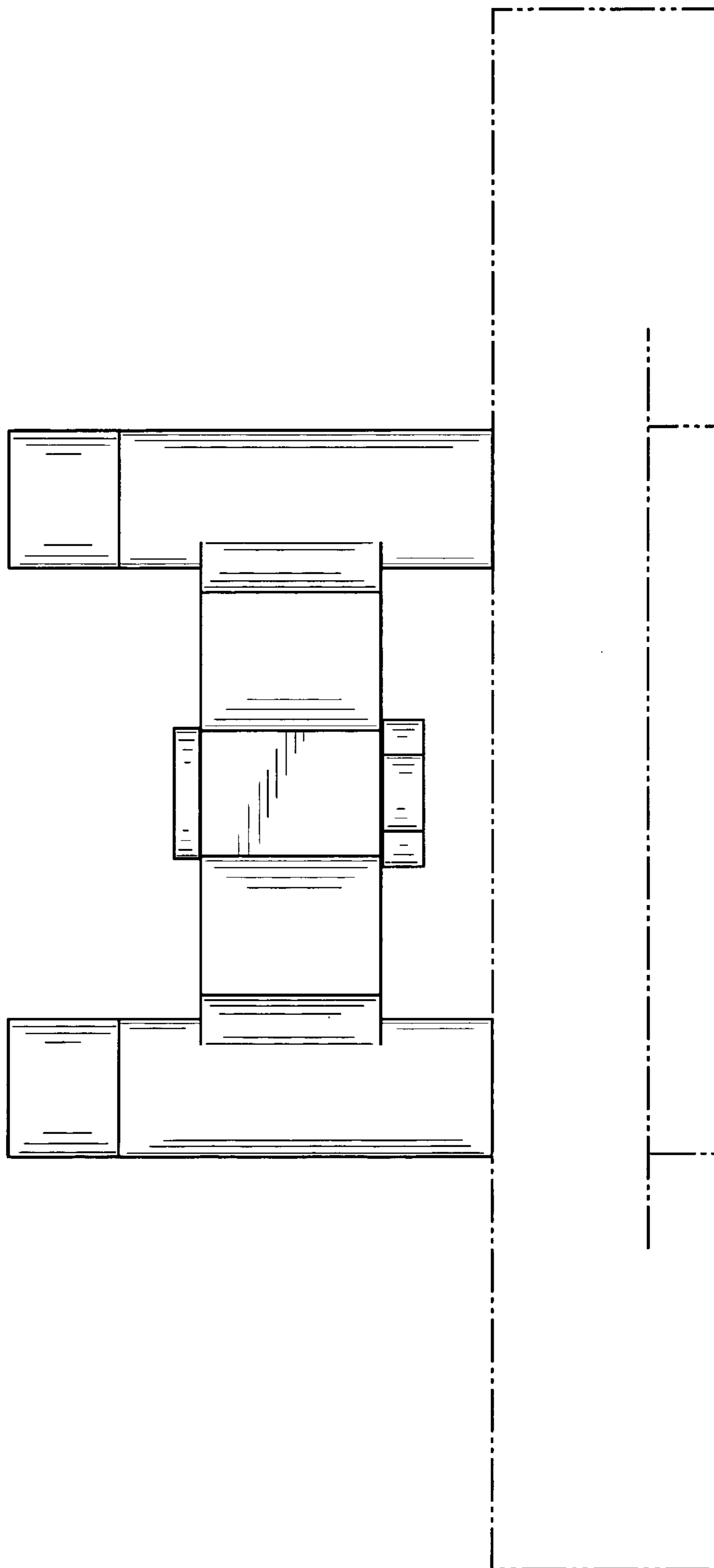
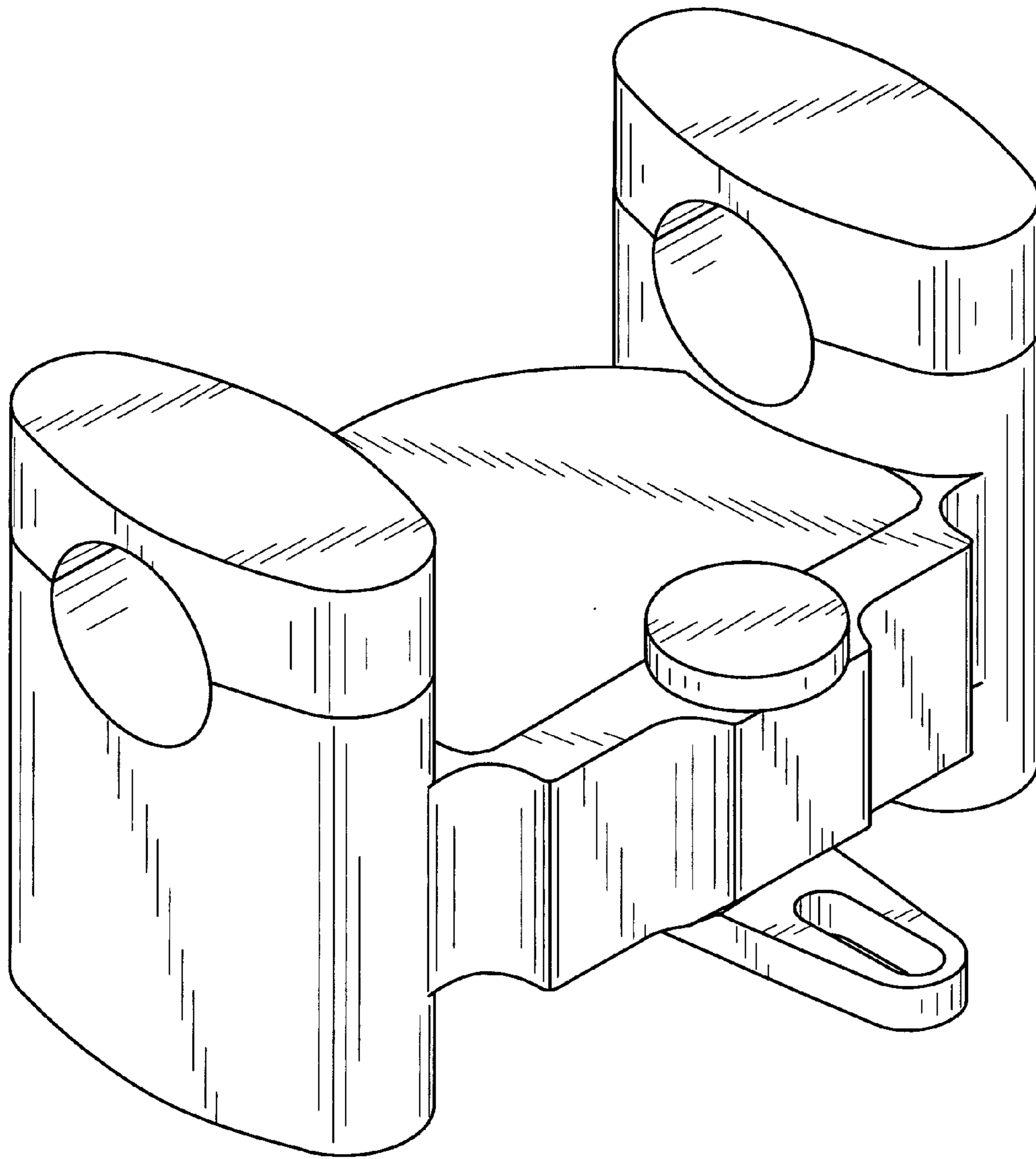


FIG. 7



**FIG. 8**