

US00D571265S

(12) **United States Design Patent** (10) **Patent No.:** **US D571,265 S**
Suzuki et al. (45) **Date of Patent:** **** Jun. 17, 2008**

(54) **FRONT BUMPER FOR AN AUTOMOBILE** D544,415 S * 6/2007 Okamoto D12/169

(75) Inventors: **Hiroaki Suzuki**, Toyota (JP); **Junichi Touura**, Yokosuka (JP)

(73) Assignee: **Toyota Jidosha Kabushiki Kaisha** (JP)

(**) Term: **14 Years**

(21) Appl. No.: **29/281,083**

(22) Filed: **Jun. 14, 2007**

(30) **Foreign Application Priority Data**

Dec. 15, 2006 (JP) 2006-034509

(51) **LOC (8) Cl.** **12-16**

(52) **U.S. Cl.** **D12/169**

(58) **Field of Classification Search** D12/90-92,
D12/86, 169, 196, 163; 296/193.1, 181.1;
293/102, 113, 115, 117, 120

See application file for complete search history.

(56) **References Cited**

U.S. PATENT DOCUMENTS

- D521,425 S * 5/2006 Fukuda et al. D12/169
- D525,921 S * 8/2006 Fujiwara et al. D12/169
- D525,922 S * 8/2006 Taguchi et al. D12/169
- D526,254 S * 8/2006 Sowa D12/169
- D544,414 S * 6/2007 Okamoto D12/169

OTHER PUBLICATIONS

Toyota, Scion t2B, Car Styling, Jul. 31, 2005, p. 33, No. 167, Sanei-Shobo Publishing Co., Ltd.

Honda, Mobilio, All album of Japanese cars and imported cars 2004-2005 Best 400, Jul. 1, 2004, p. 75, Kotsu Times Co., Ltd.

Mazda, MPV, Brochure of MPV, Jul. 2004, Mazda Motor Corporation.

* cited by examiner

Primary Examiner—Melody N. Brown

(74) *Attorney, Agent, or Firm*—SAIDMAN DesignLaw Group

(57) **CLAIM**

The ornamental design for a front bumper for an automobile, as shown and described.

DESCRIPTION

FIG. 1 is a front perspective view of a front bumper for an automobile showing our new design;

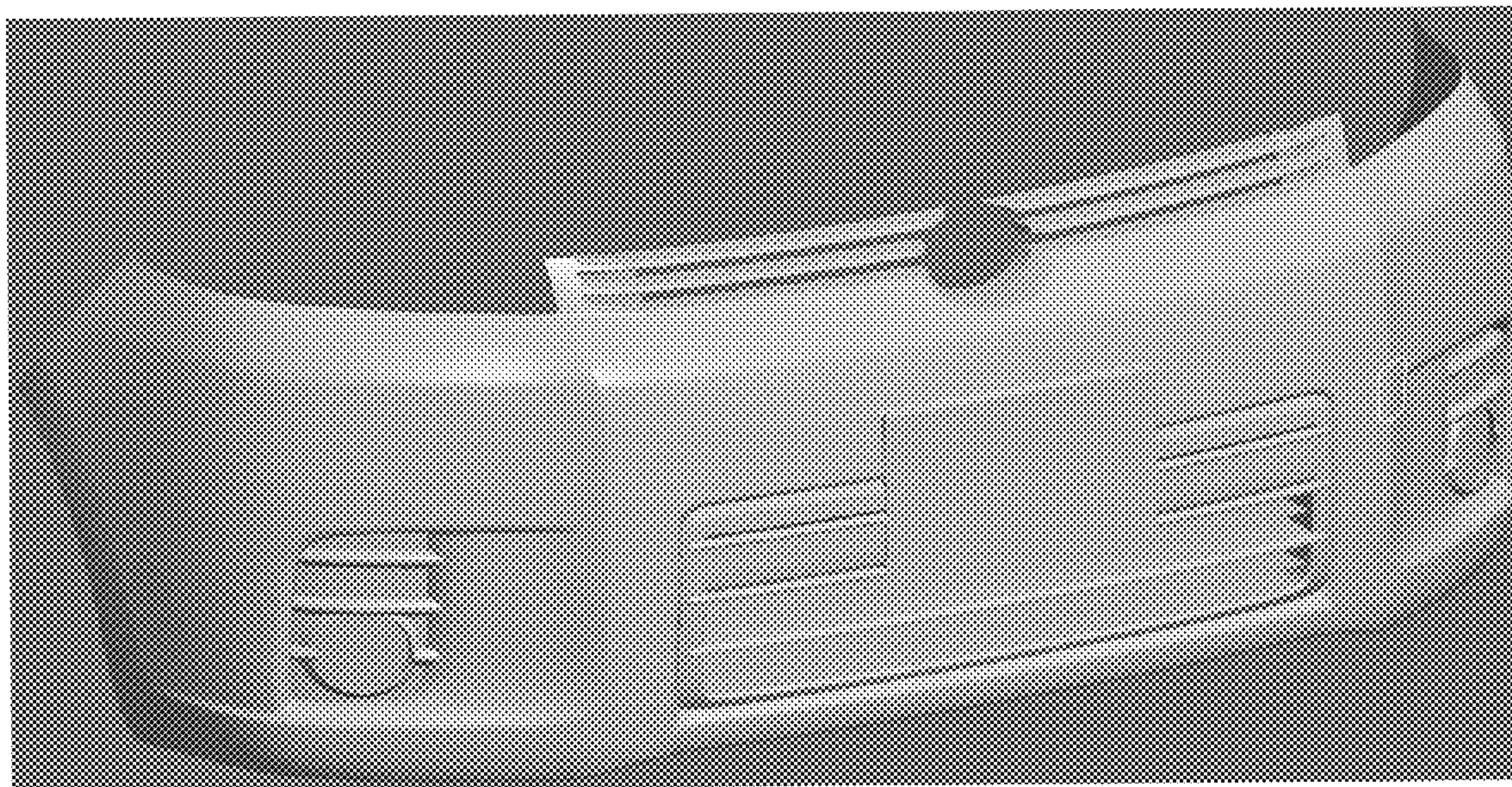
FIG. 2 is front view thereof;

FIG. 3 is a top view thereof;

FIG. 4 is a bottom view thereof; and,

FIG. 5 is a right-side view thereof.

1 Claim, 2 Drawing Sheets



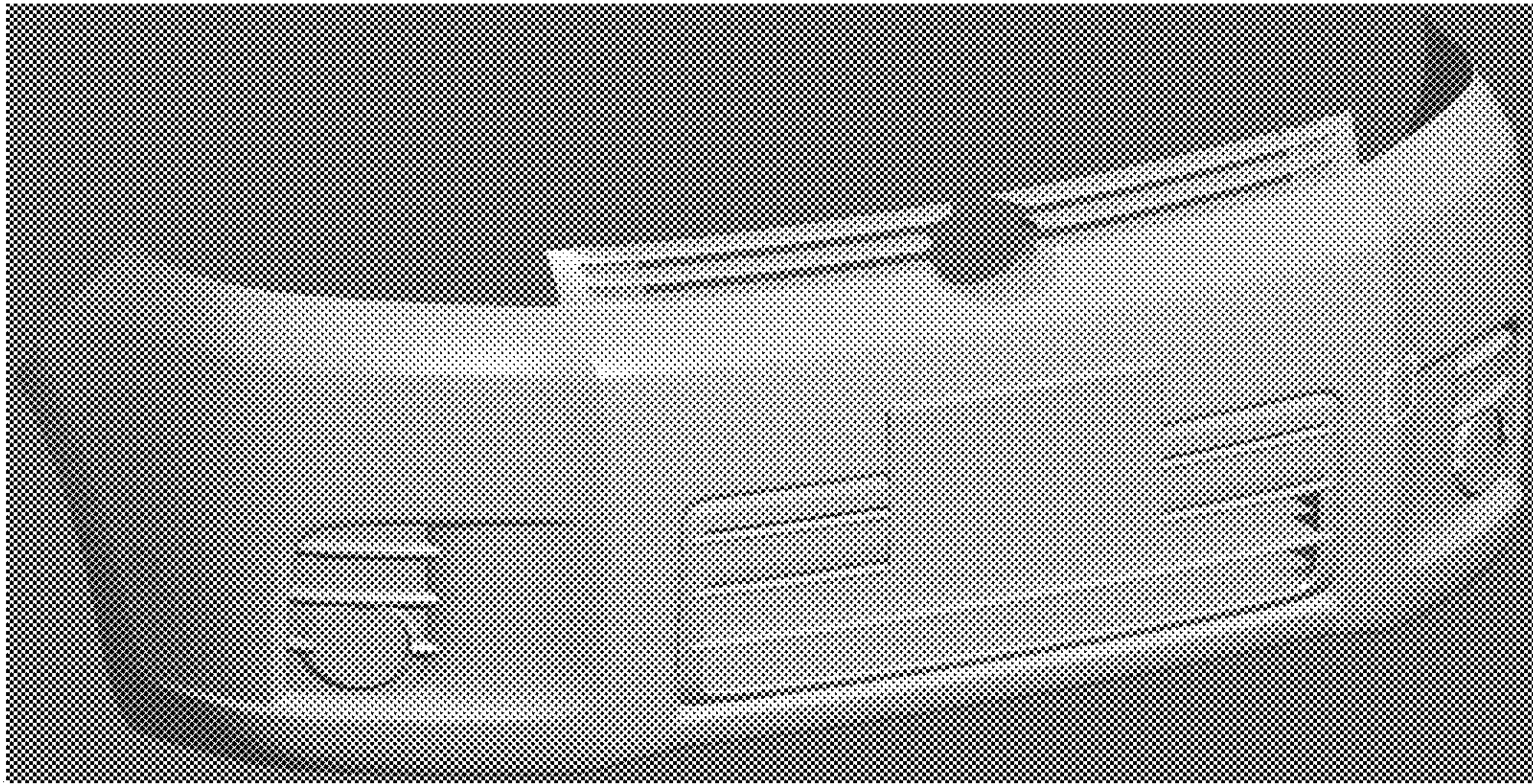


FIG. 1

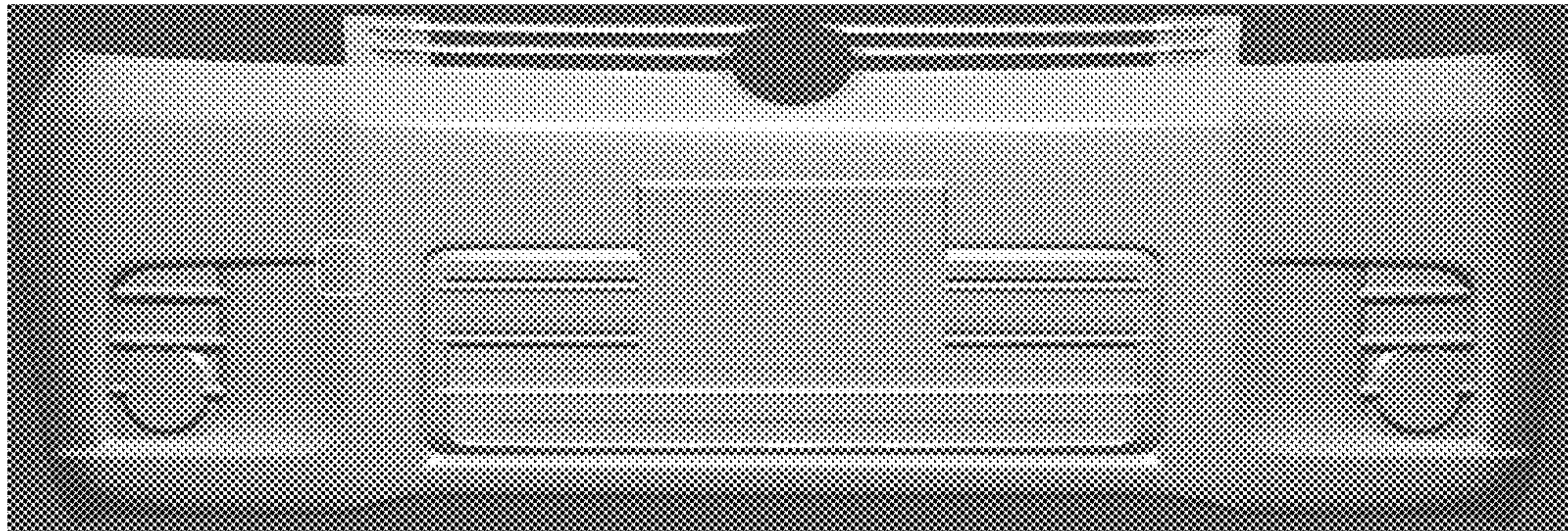


FIG. 2

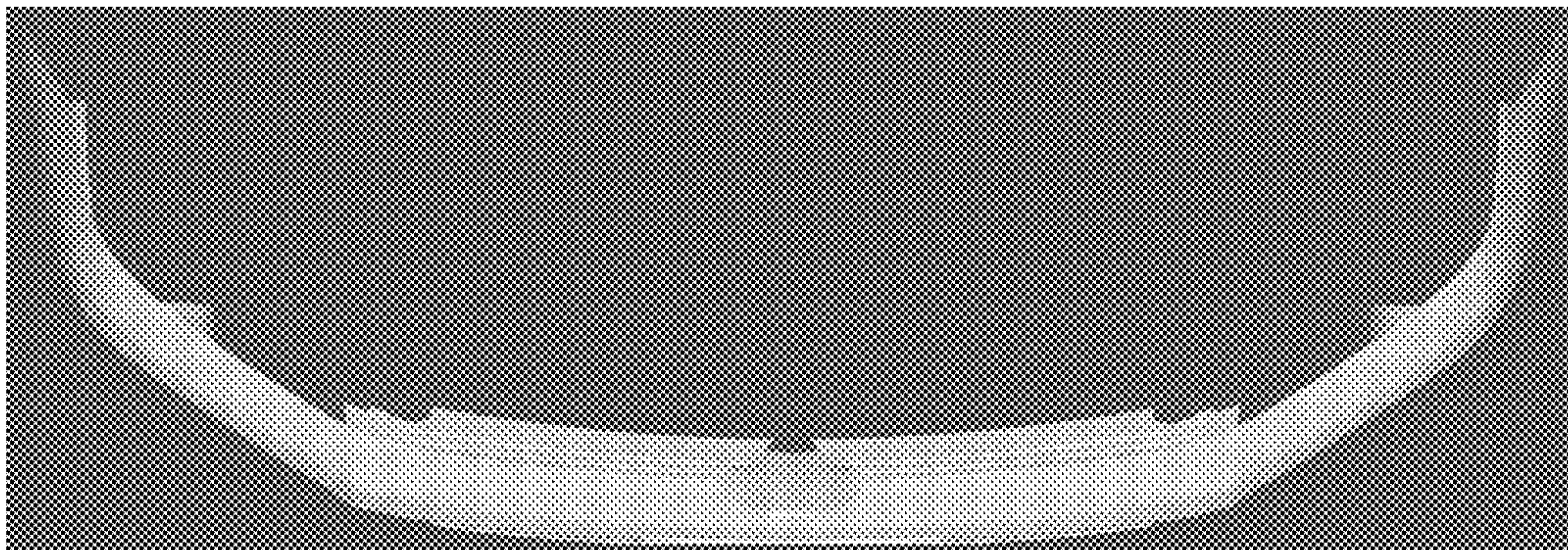


FIG. 3

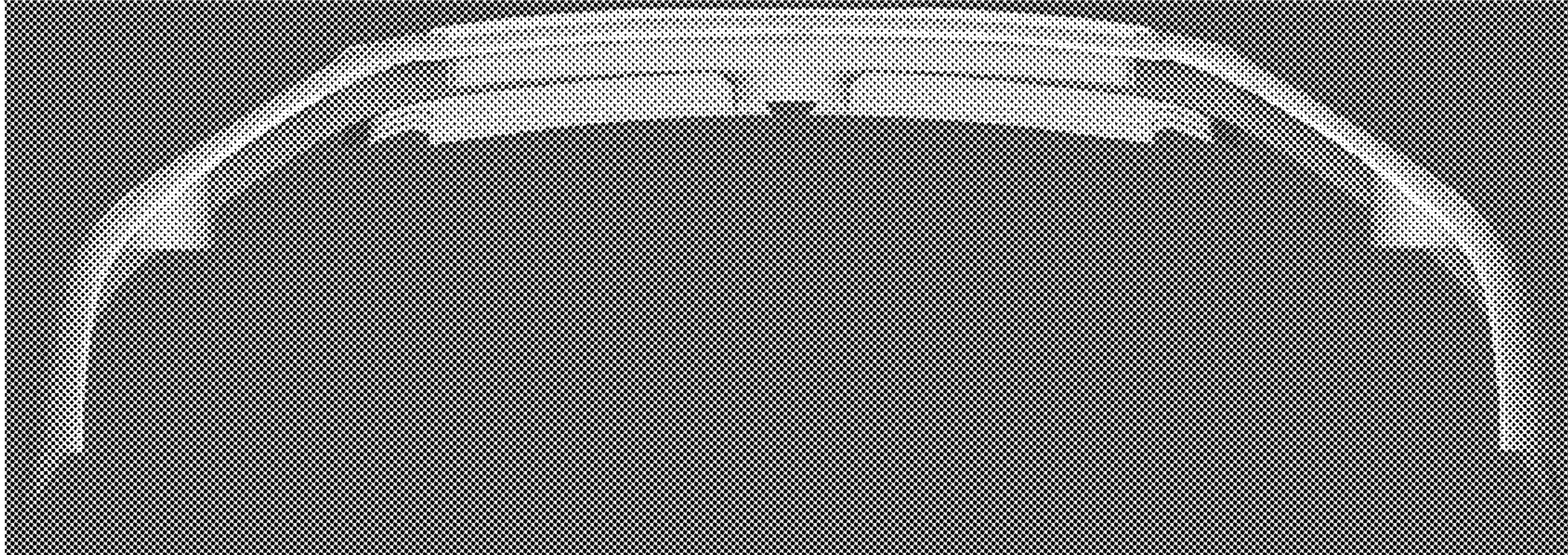


FIG. 4

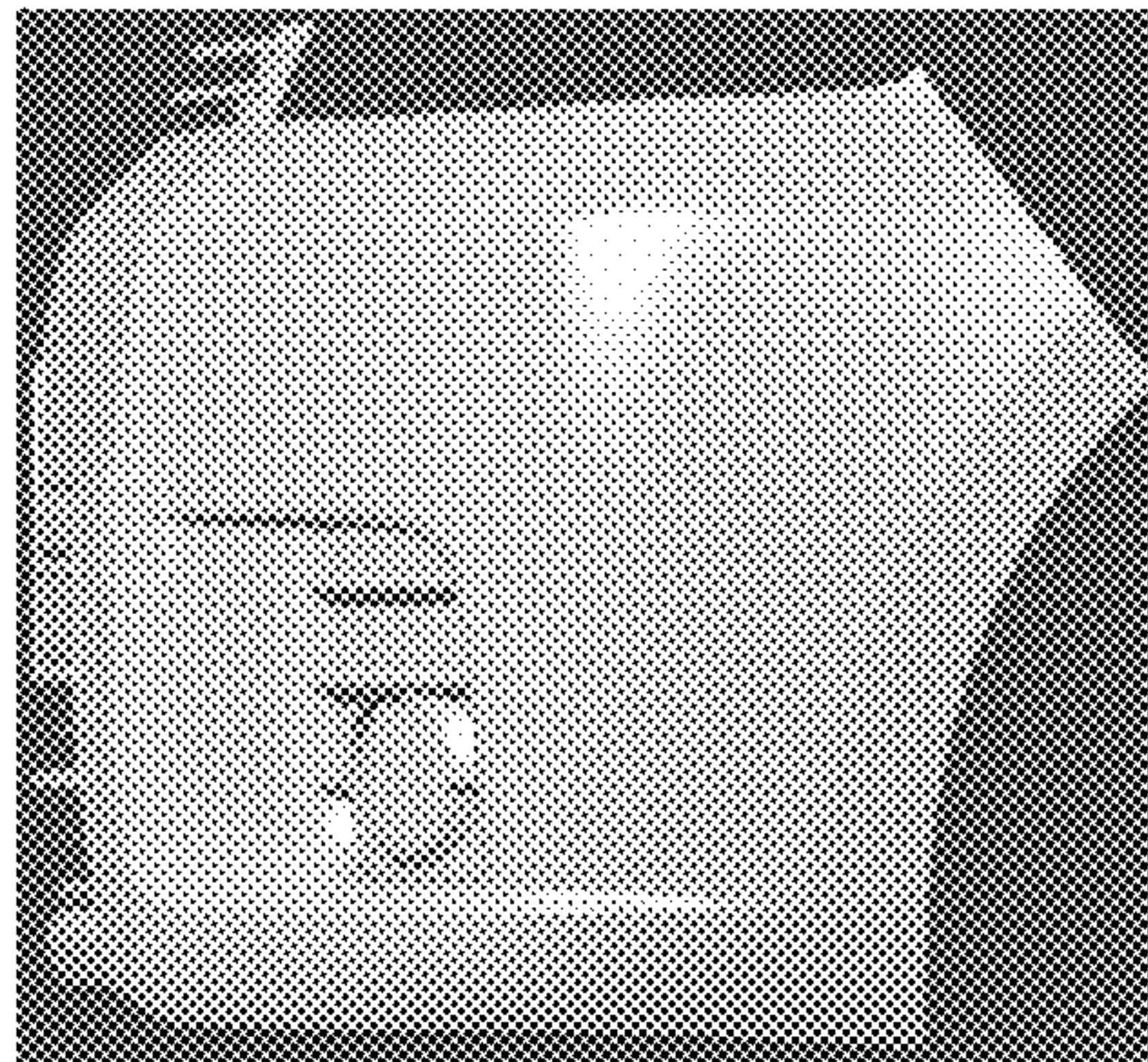


FIG. 5