



US00D571263S

(12) **United States Design Patent**
Lai

(10) **Patent No.:** **US D571,263 S**
(45) **Date of Patent:** **** Jun. 17, 2008**

(54) **FRAME FOR BABY STROLLER**

D558,099 S * 12/2007 Yang D12/129

(76) Inventor: **Chin-I Lai**, No. 96, Zhengbei 1st Rd.,
Yongkang City, Tainan County (TW)

* cited by examiner

(**) Term: **14 Years**

Primary Examiner—Charles A. Rademaker
Assistant Examiner—Charles D Hanson
(74) *Attorney, Agent, or Firm*—Muncy, Geissler, Olds &
Lowe, PLLC

(21) Appl. No.: **29/271,193**

(22) Filed: **Jan. 12, 2007**

(57) **CLAIM**

(51) **LOC (8) Cl.** **12-12**

The ornamental design for a frame for baby stroller, as shown
and described.

(52) **U.S. Cl.** **D12/129**

(58) **Field of Classification Search** D12/128–133;
280/62, 647–650, 29, 200, 47.38, 250.1,
280/259, 642, 658; 297/DIG. 4; 296/65.03,
296/65.04; 224/409; 135/65–67, 74; 180/208;
267/5

DESCRIPTION

See application file for complete search history.

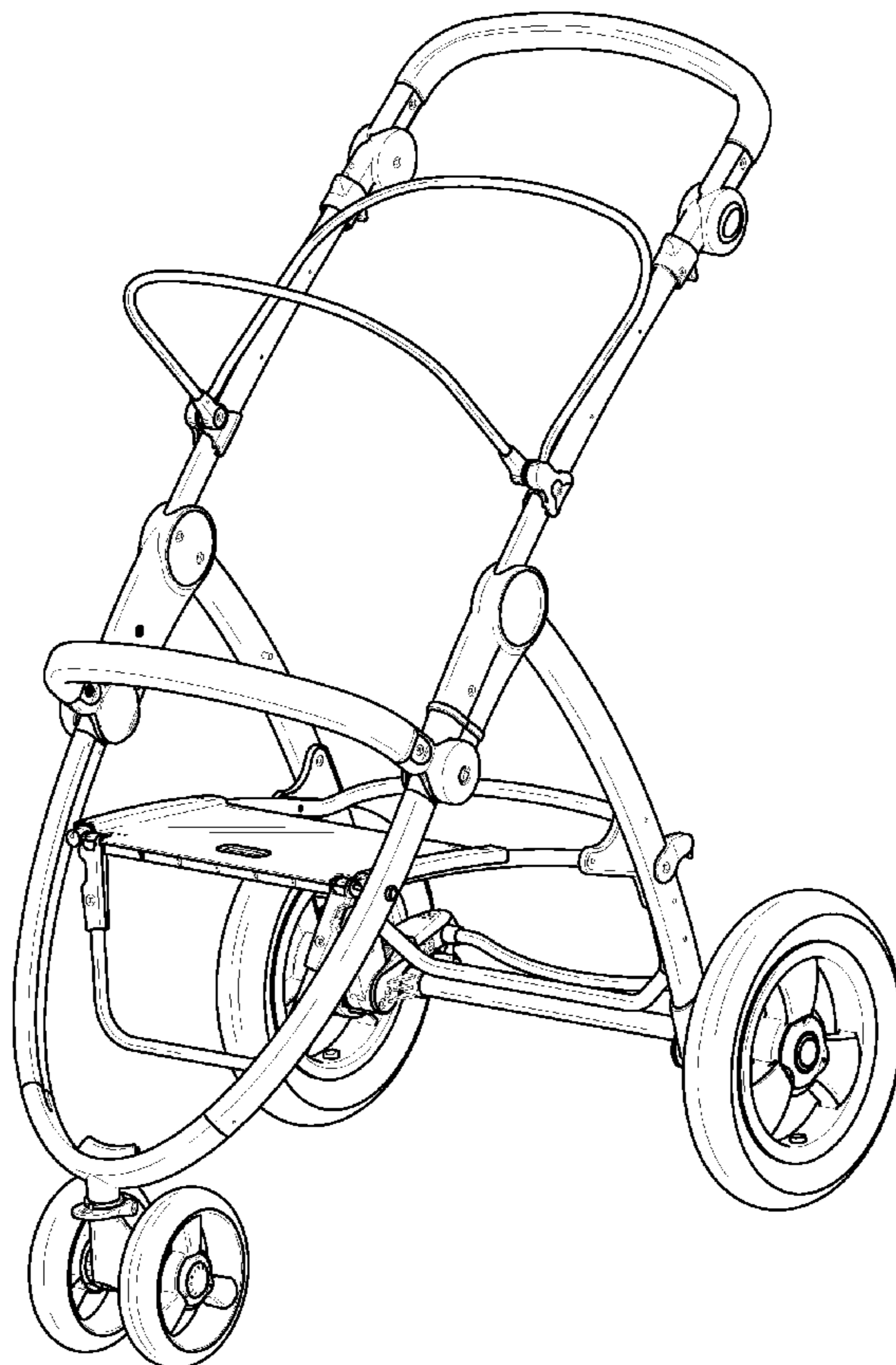
FIG. 1 is a perspective view of frame for baby stroller show-
ing my new design;
FIG. 2 is a right side elevational view thereof;
FIG. 3 is a top plan view thereof;
FIG. 4 is a front side elevational view thereof;
FIG. 5 is a bottom plan view thereof;
FIG. 6 is a left side elevational view thereof;
FIG. 7 is a rear side elevational view thereof; and,
FIG. 8 is another perspective view thereof.

(56) **References Cited**

U.S. PATENT DOCUMENTS

D369,992 S *	5/1996	Baechler	D12/129
D444,738 S *	7/2001	Lan	D12/129
D506,417 S *	6/2005	Liao	D12/129
D510,716 S *	10/2005	Refsum et al.	D12/129
7,032,922 B1 *	4/2006	Lan	280/648
D529,844 S *	10/2006	Chen et al.	D12/129

1 Claim, 8 Drawing Sheets



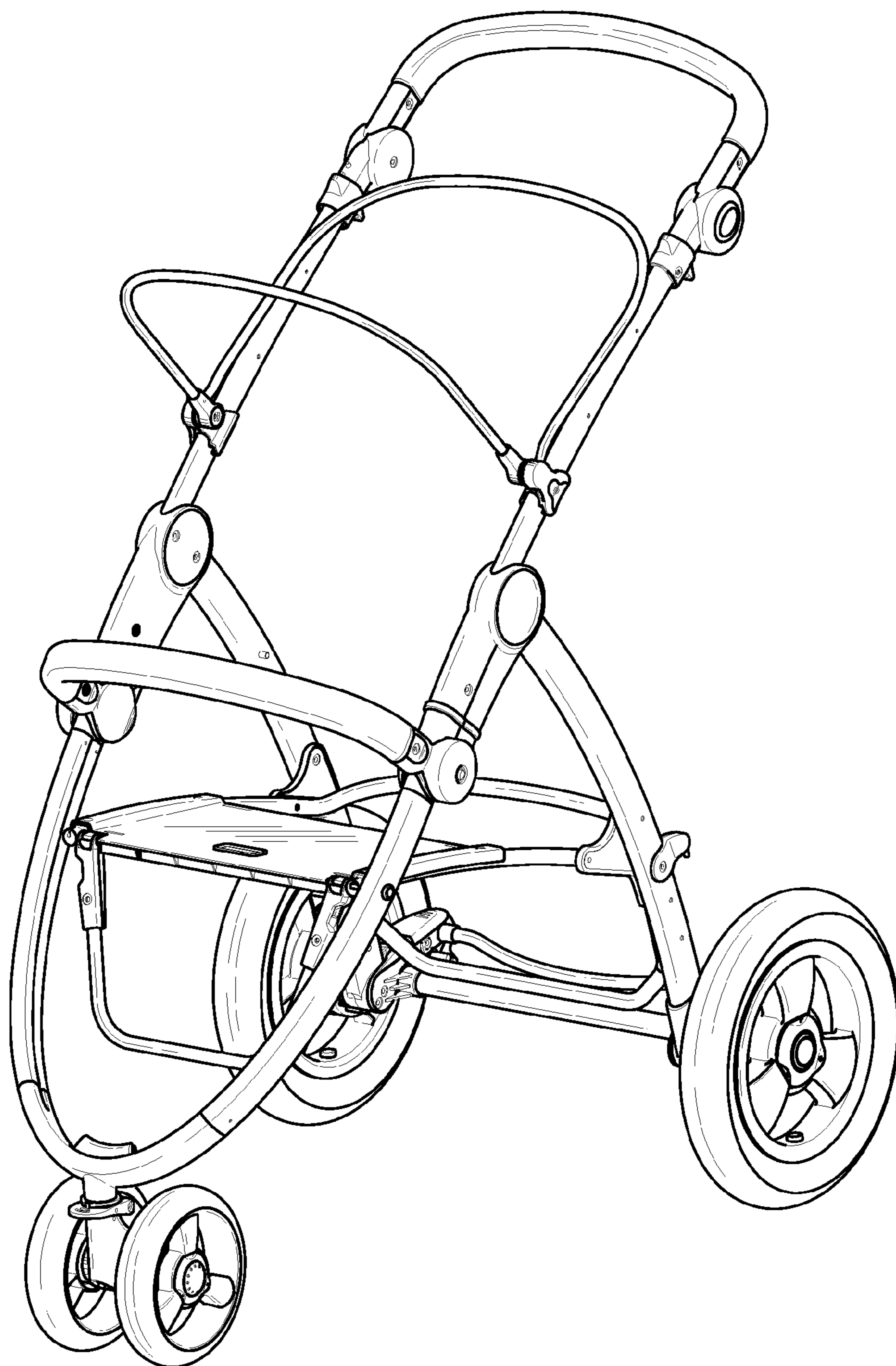


Fig. 1

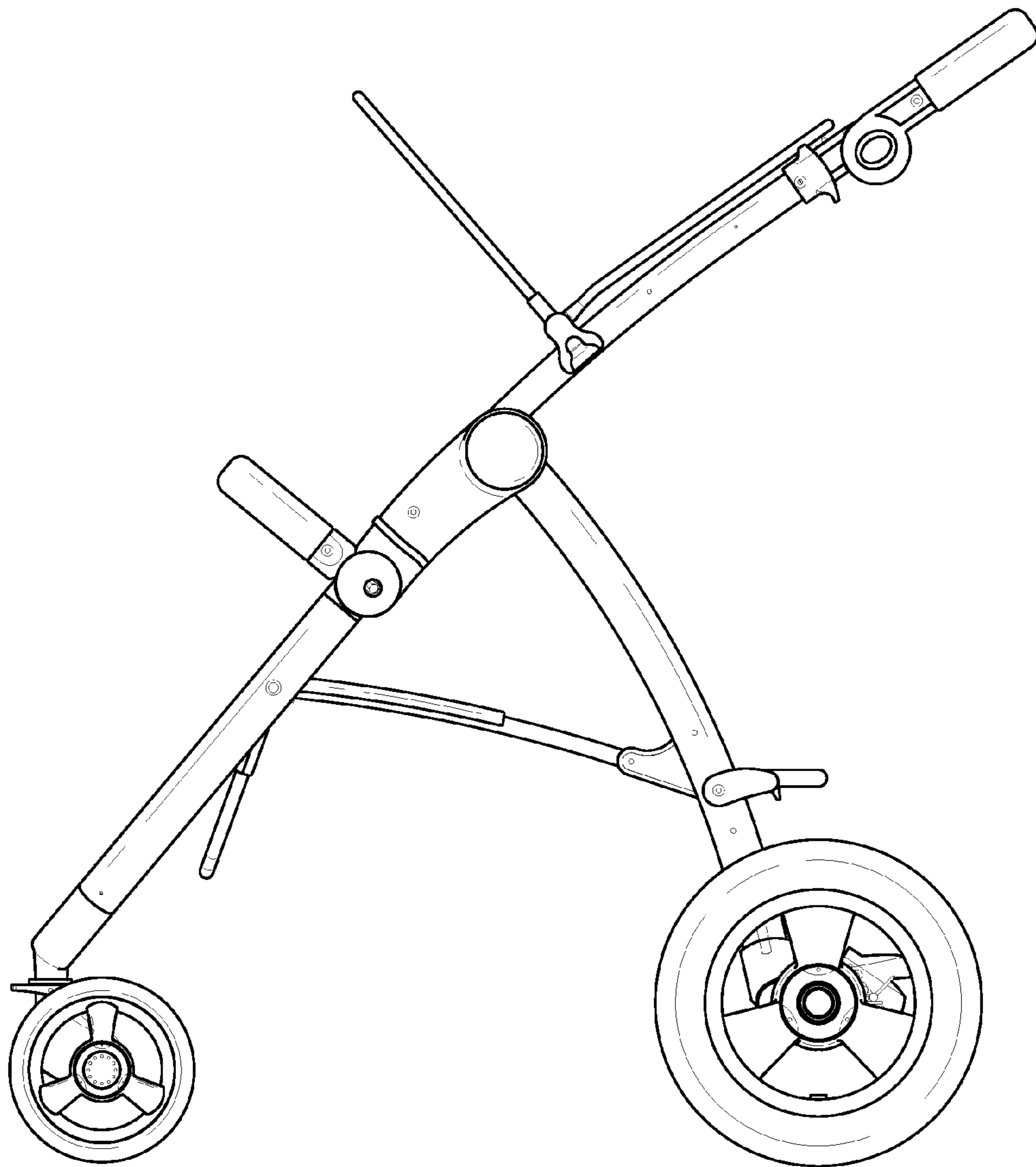


Fig. 2

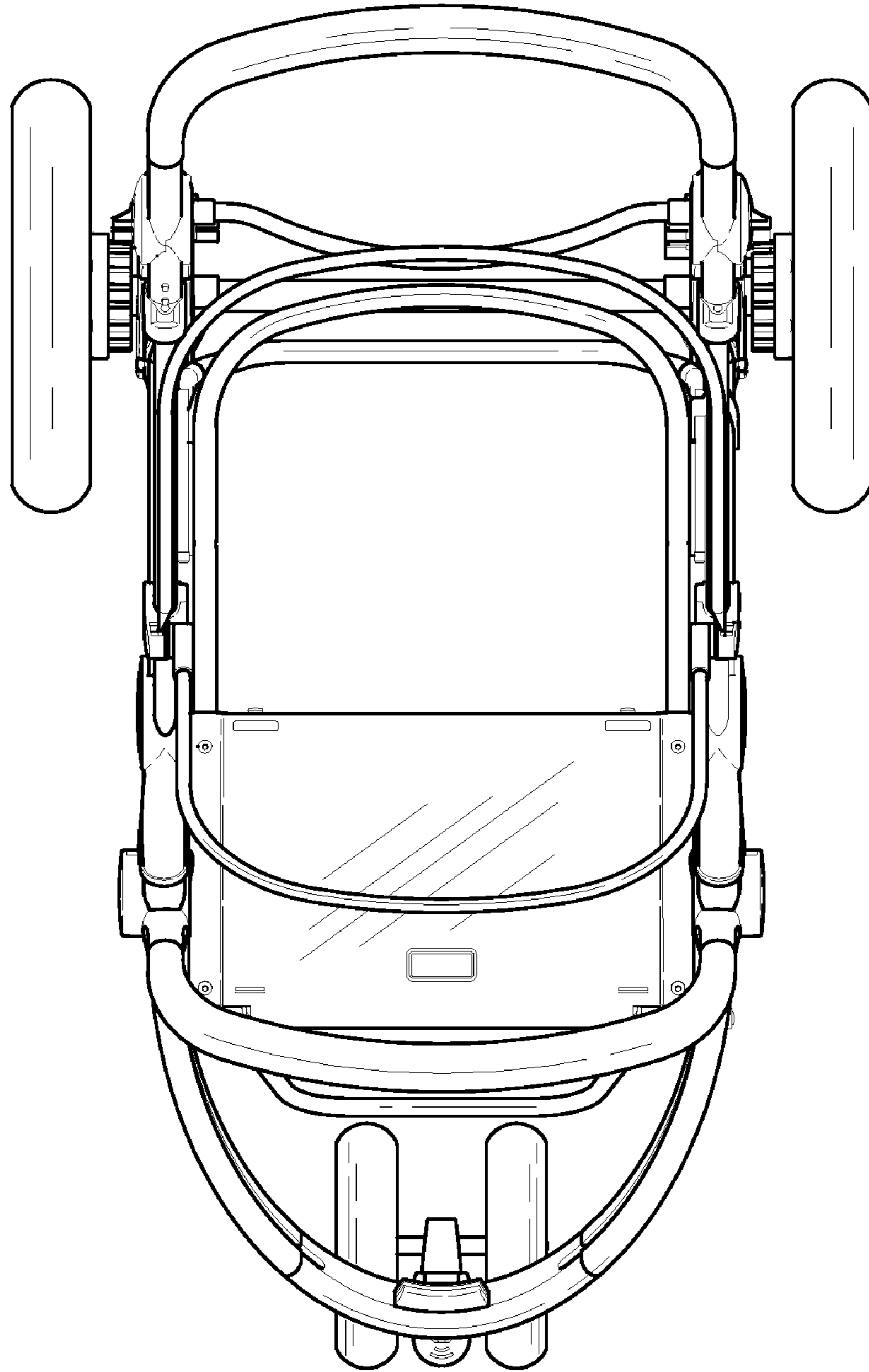


Fig. 3

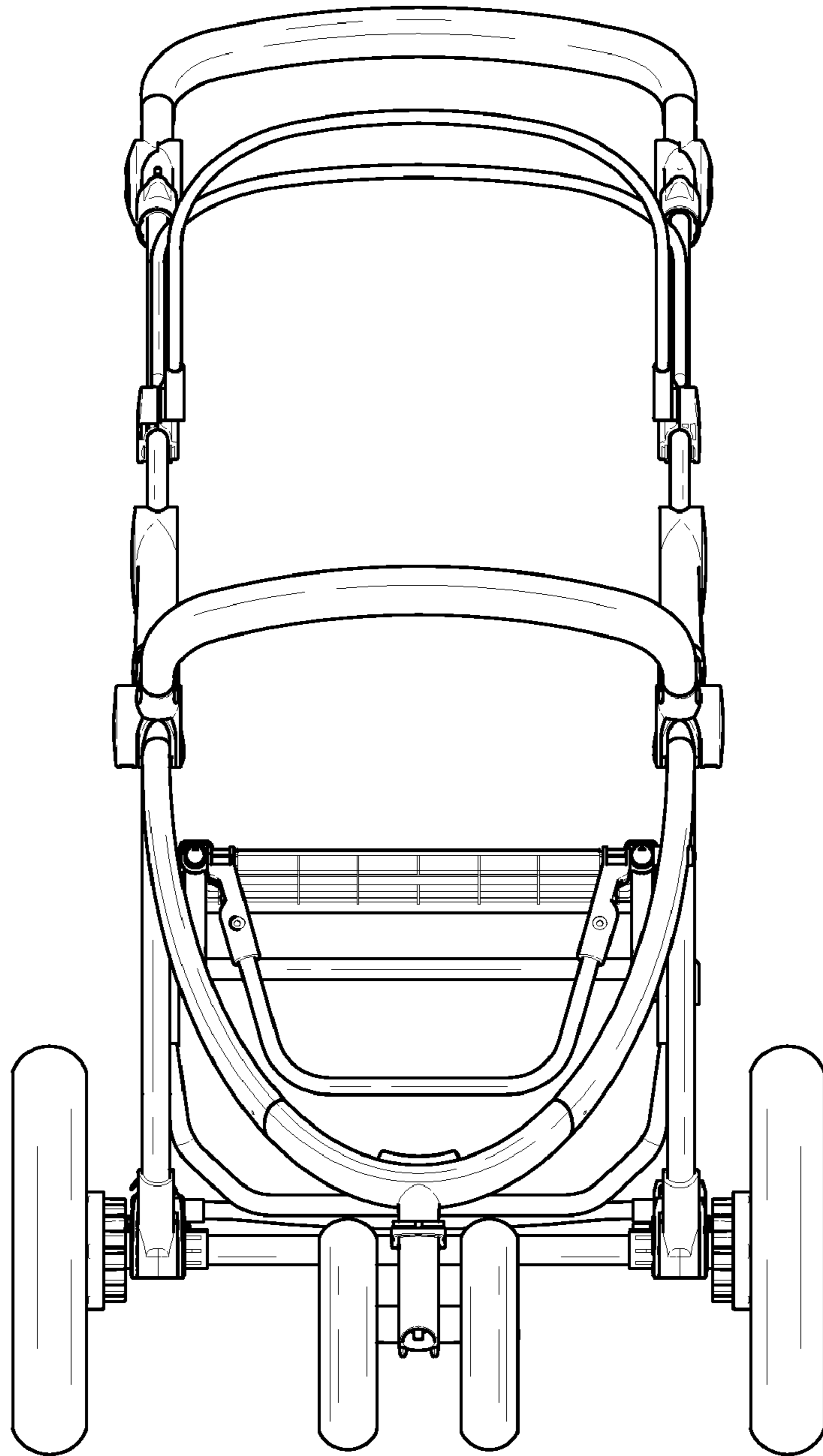


Fig. 4

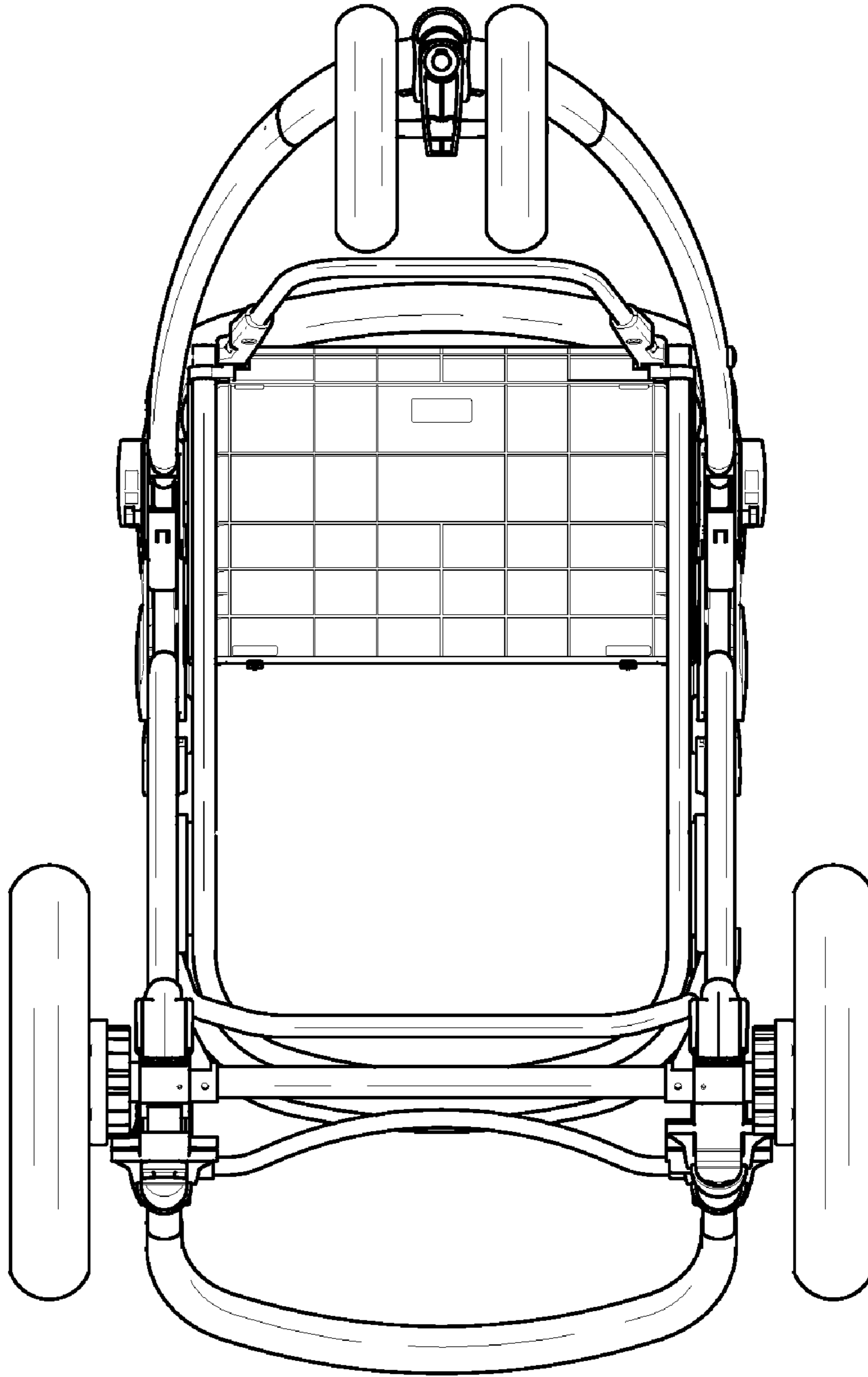


Fig. 5

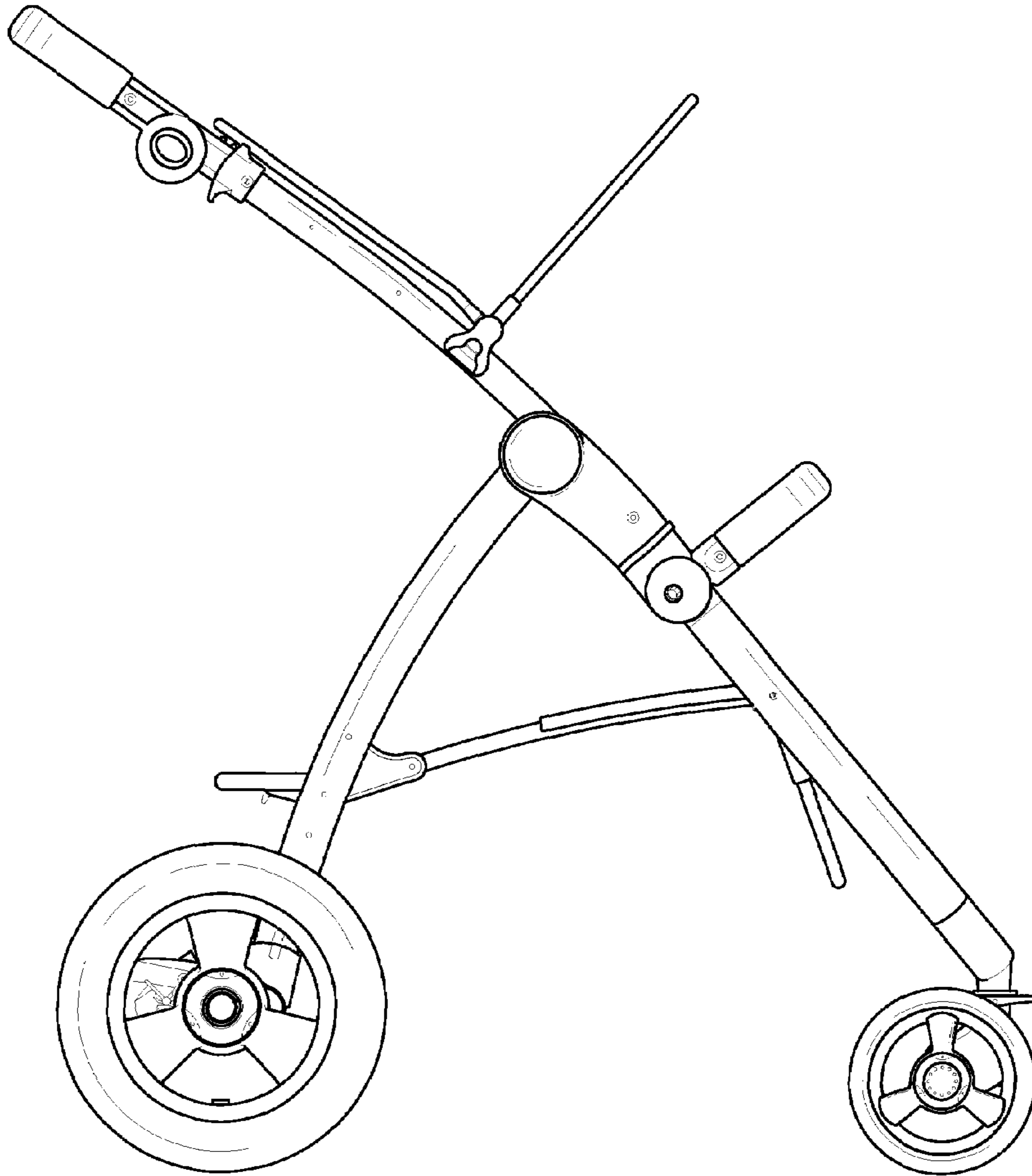


Fig. 6

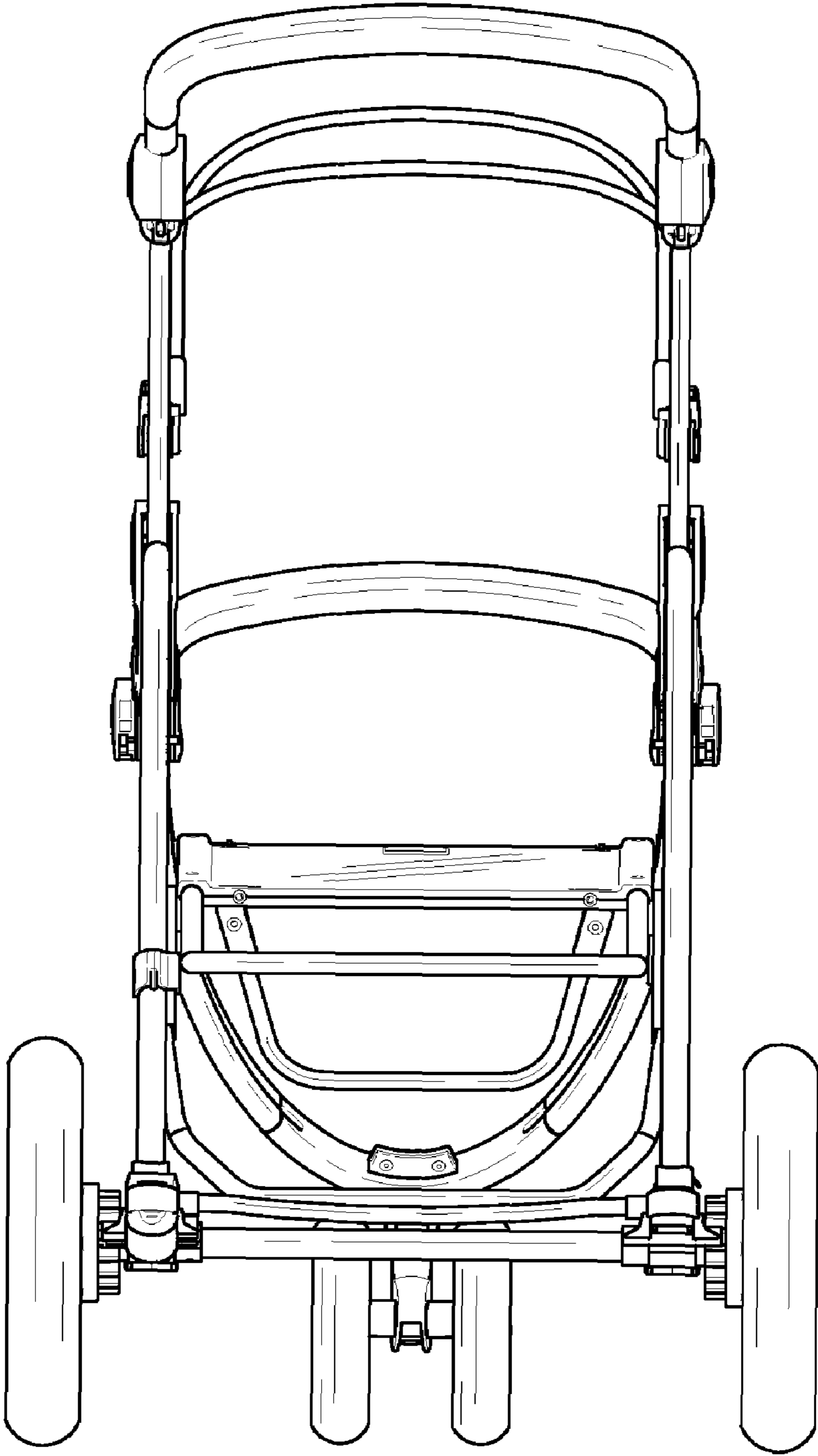


Fig. 7

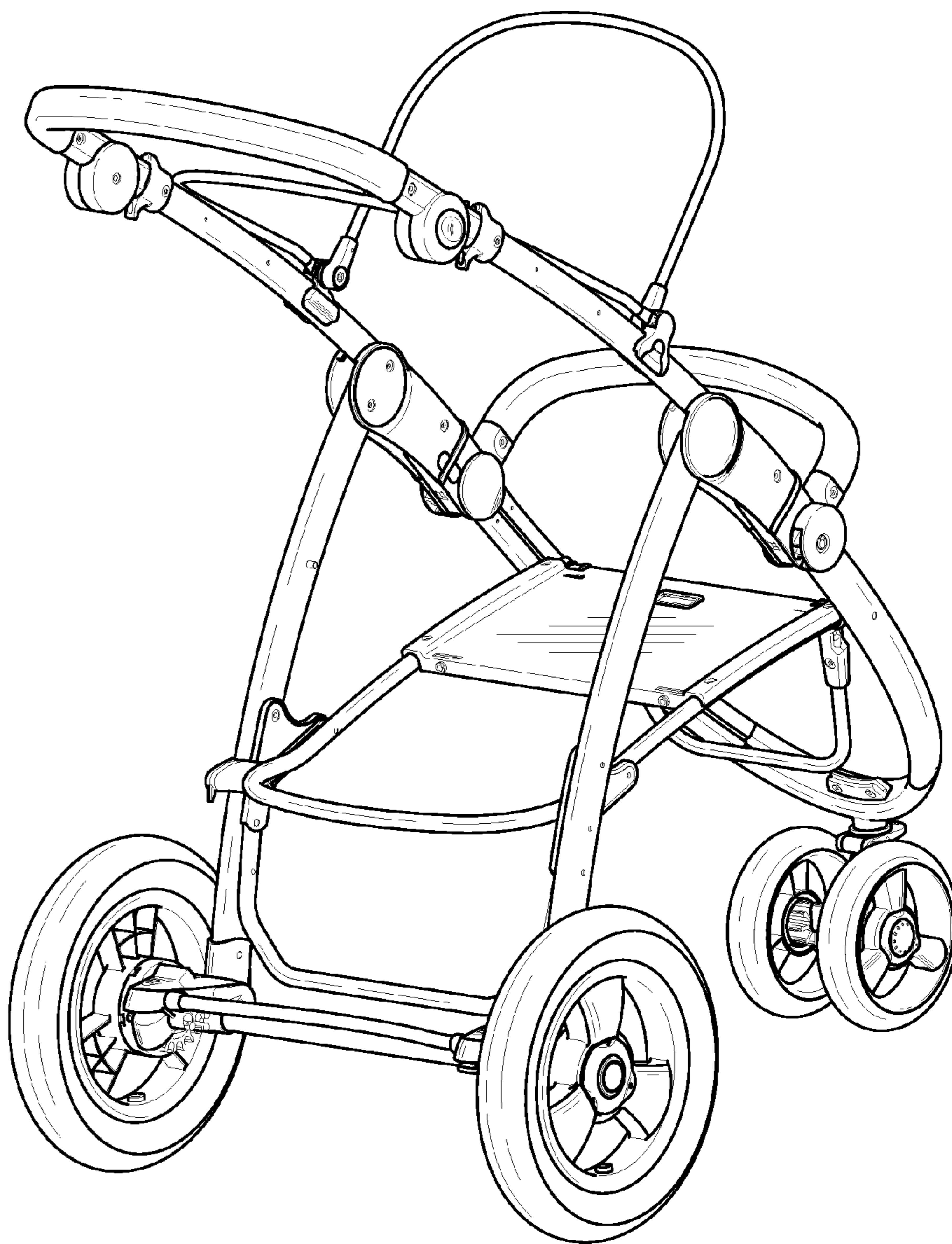


Fig. 8