



US00D571261S

(12) **United States Design Patent**
MacKarvich

(10) **Patent No.:** **US D571,261 S**
(45) **Date of Patent:** **** Jun. 17, 2008**

(54) **TRAILER FENDER FOR TANDEM WHEELS**

(76) Inventor: **Charles J. MacKarvich**, 5901 Wheaton Dr., Atlanta, GA (US) 30336

(**) Term: **14 Years**

(21) Appl. No.: **29/222,736**

(22) Filed: **Feb. 3, 2005**

(51) **LOC (8) Cl.** **12-10**

(52) **U.S. Cl.** **D12/106**

(58) **Field of Classification Search** D12/106,
D12/184, 101, 102, 105, 185; 280/414, 414.1,
280/414.3, 414.2, 847, 848, 849; 414/537
See application file for complete search history.

(56) **References Cited**

U.S. PATENT DOCUMENTS

D308,953 S *	7/1990	Godbersen	D12/106
D314,735 S *	2/1991	Godbersen	D12/106
D385,512 S	10/1997	Nielsen, III	D12/106
D386,130 S *	11/1997	Nielsen, III	D12/106
D387,016 S *	12/1997	Nielsen, III	D12/106
D433,352 S *	11/2000	Boyd	D12/106
D524,202 S *	7/2006	Devitt	D12/184
D525,924 S *	8/2006	MacKarvich	D12/184

* cited by examiner

Primary Examiner—Holly H. Baynham

Assistant Examiner—Sheryl Friedman

(74) *Attorney, Agent, or Firm*—Thomas, Kayden, Horstemeyer & Risley, LLP

(57) **CLAIM**

The ornamental design of a trailer fender for tandem wheels, as shown and described.

DESCRIPTION

FIG. 1 is a perspective view of the rear fender of a pair of fenders for a pair of tandem wheels of a trailer;

FIG. 2 is a top view thereof;

FIG. 3 is a bottom view thereof;

FIG. 4 is an outside view thereof;

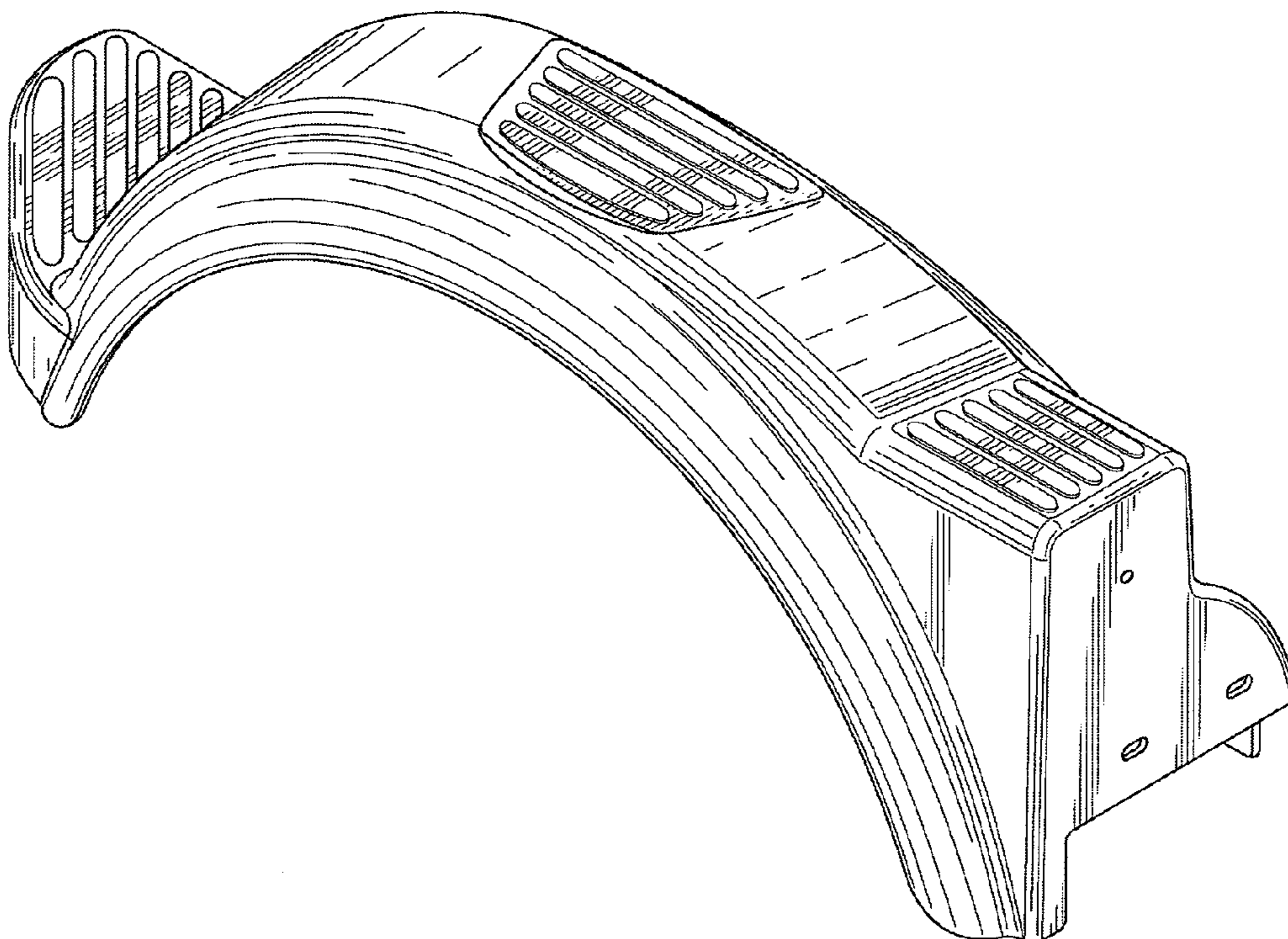
FIG. 5 is an inside view thereof;

FIG. 6 is a front view thereof;

FIG. 7 is a rear view thereof; and,

FIG. 8 is a perspective view of a pair of trailer fenders for a tandem trailer, with the left portion of the figure being identical to the fender of FIG. 1, and the right portion thereof being a mirror image thereof, with the right portion illustrated in broken lines, with the broken lines included for illustrative purposes, and which form no part of the claimed design.

1 Claim, 5 Drawing Sheets



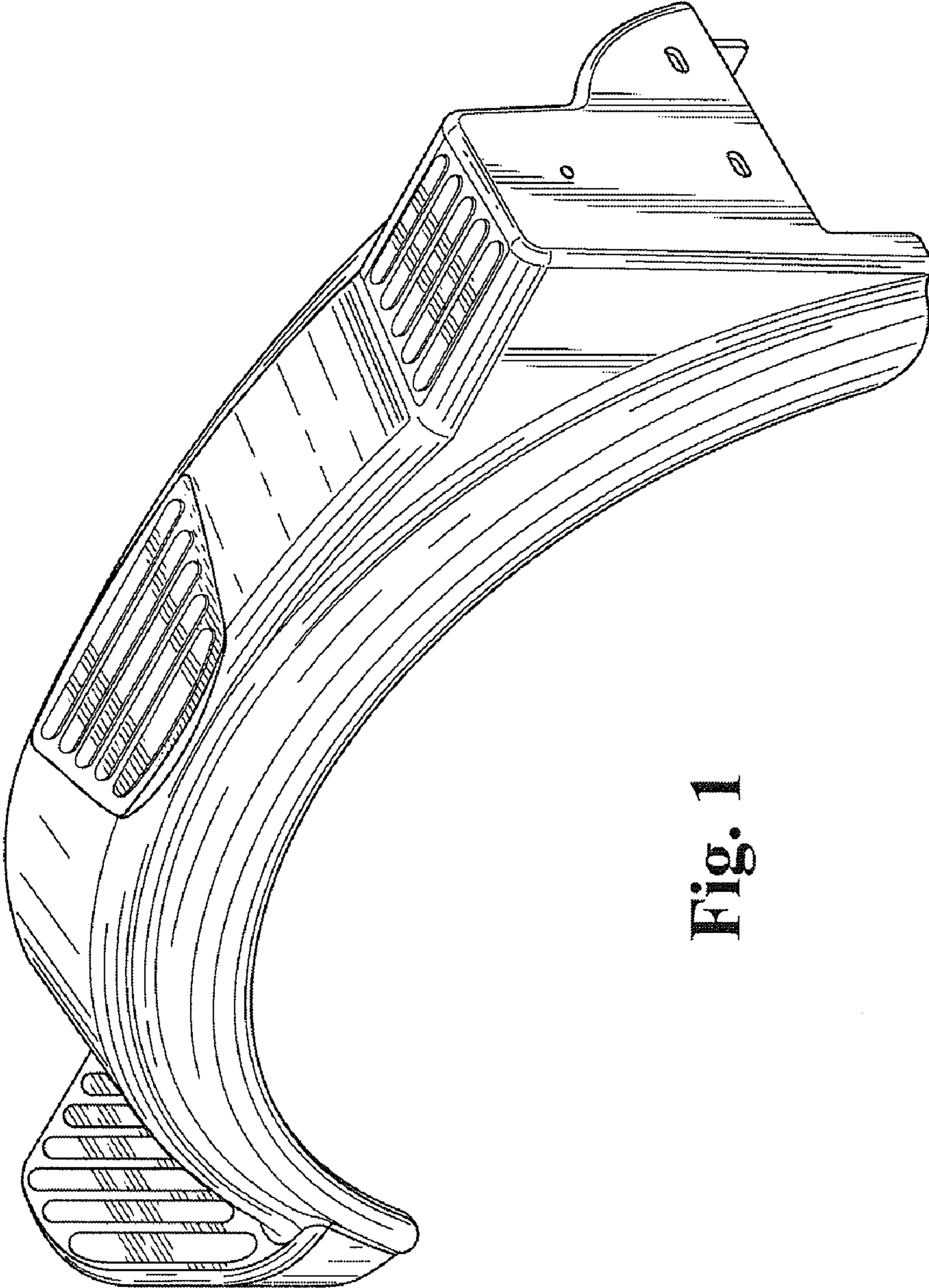


Fig. 1

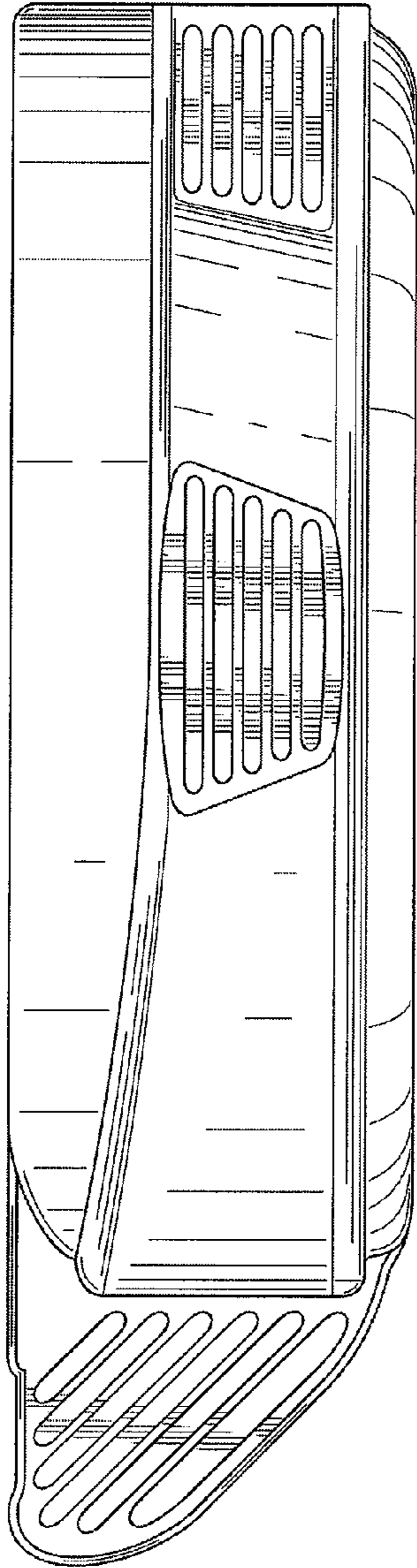


Fig. 2

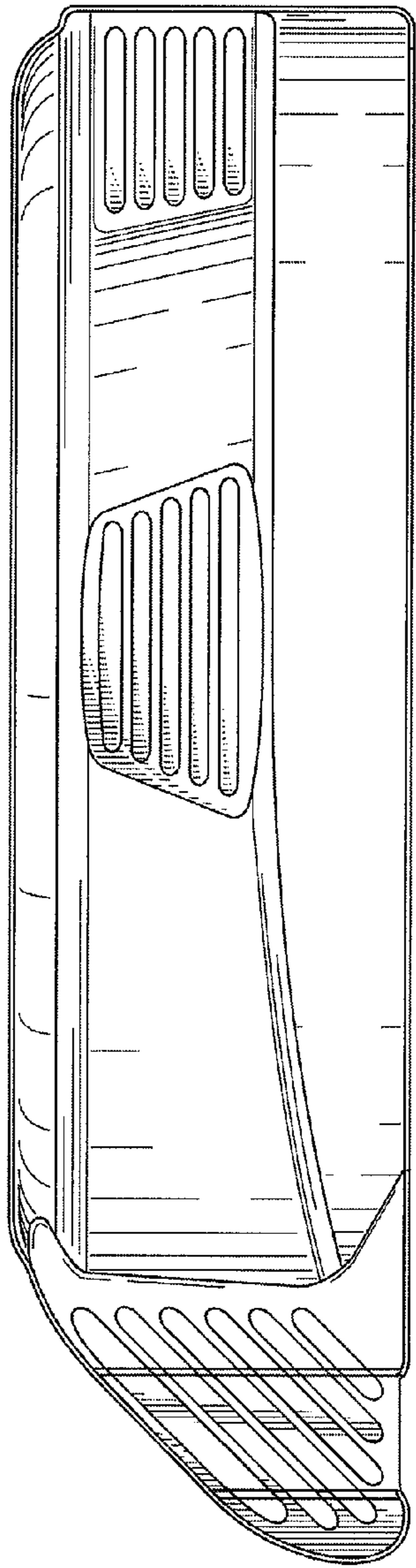


Fig. 3

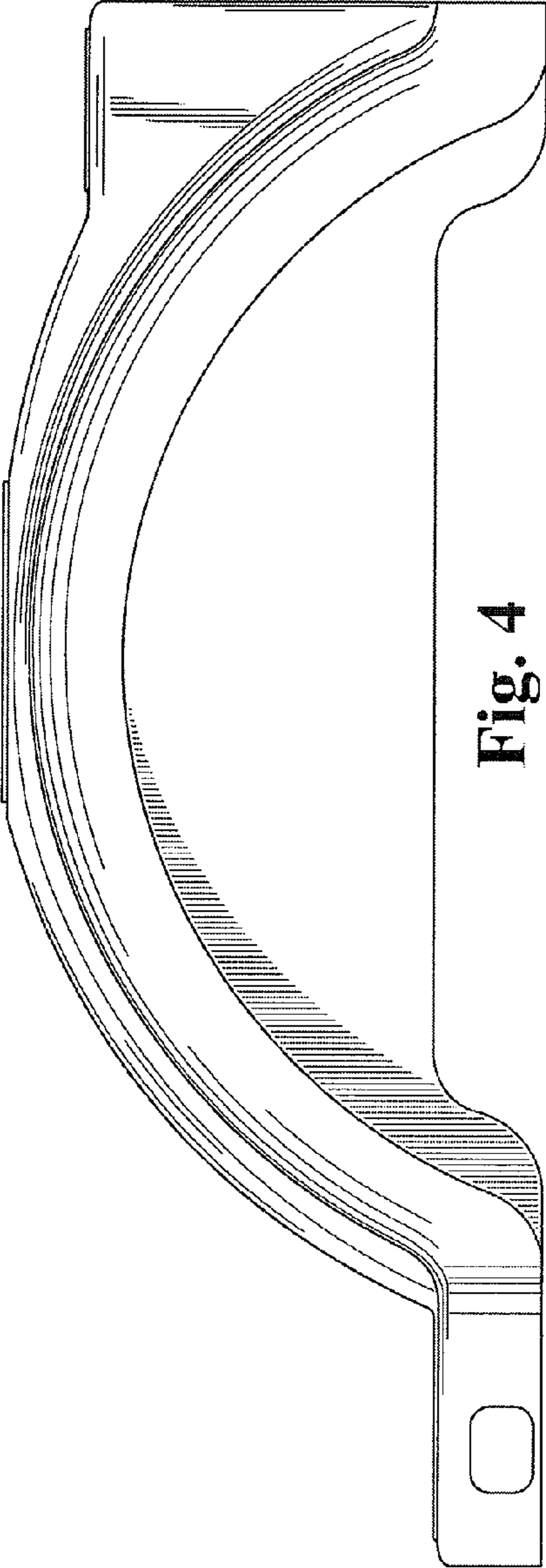


Fig. 4

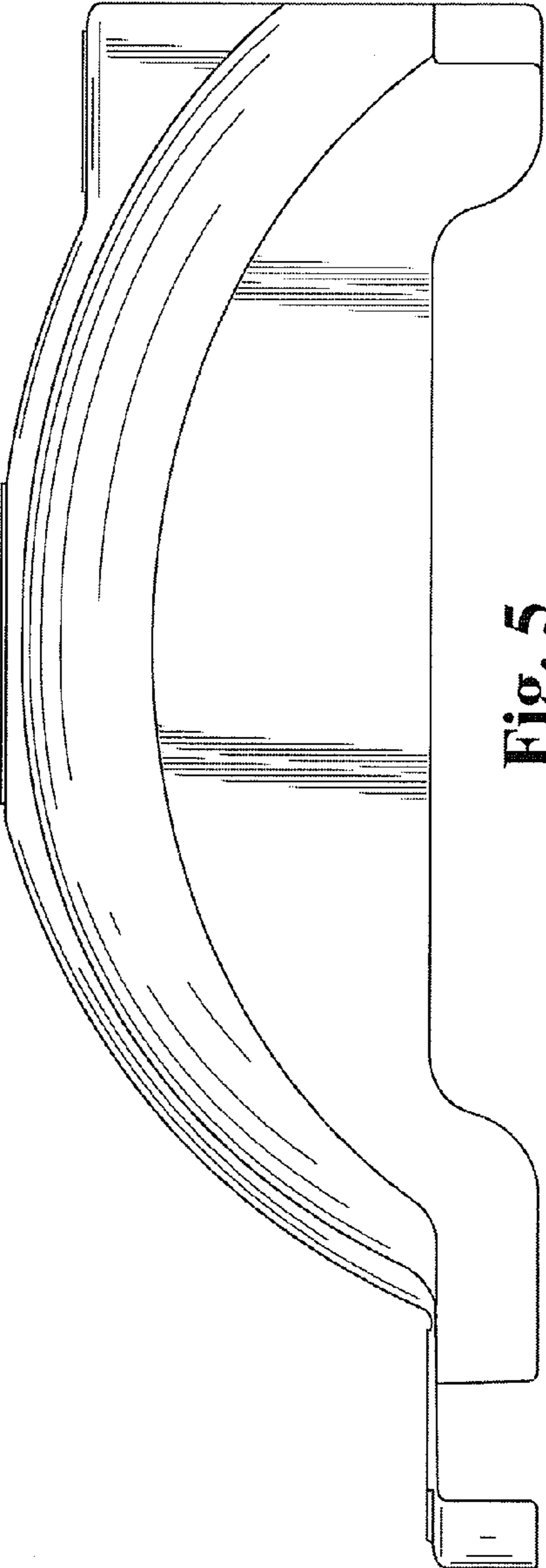


Fig. 5

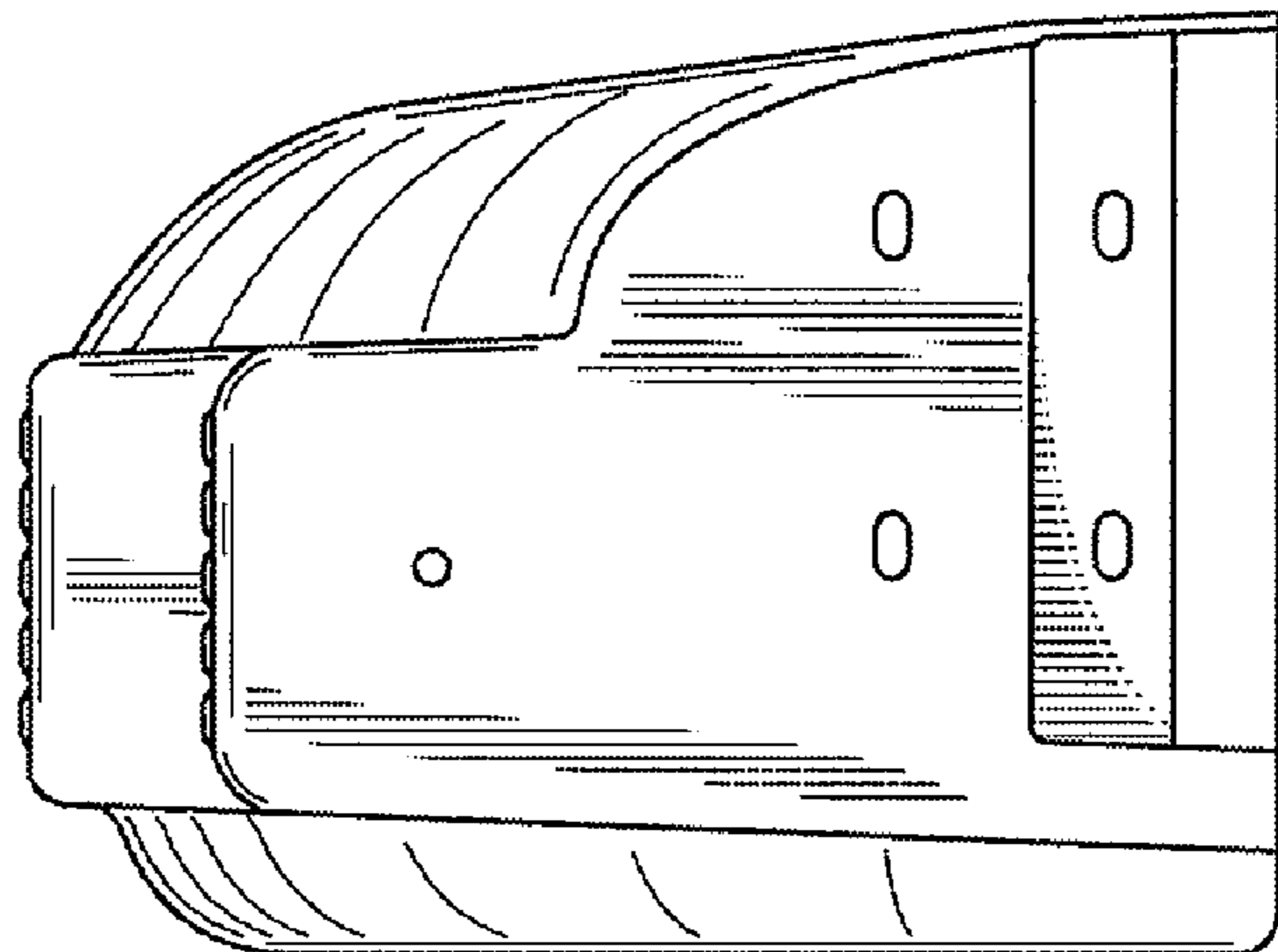


Fig. 6

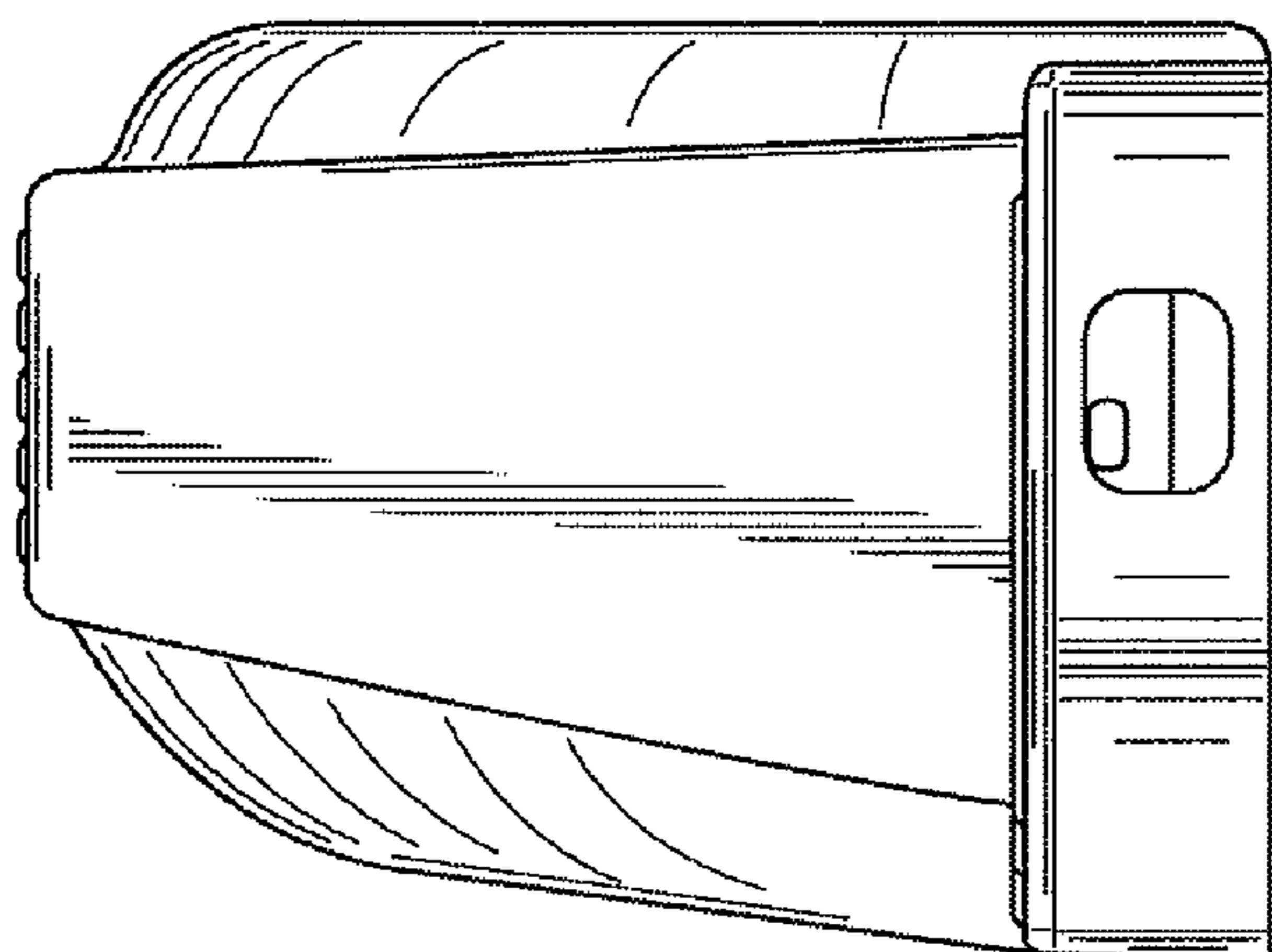


Fig. 7

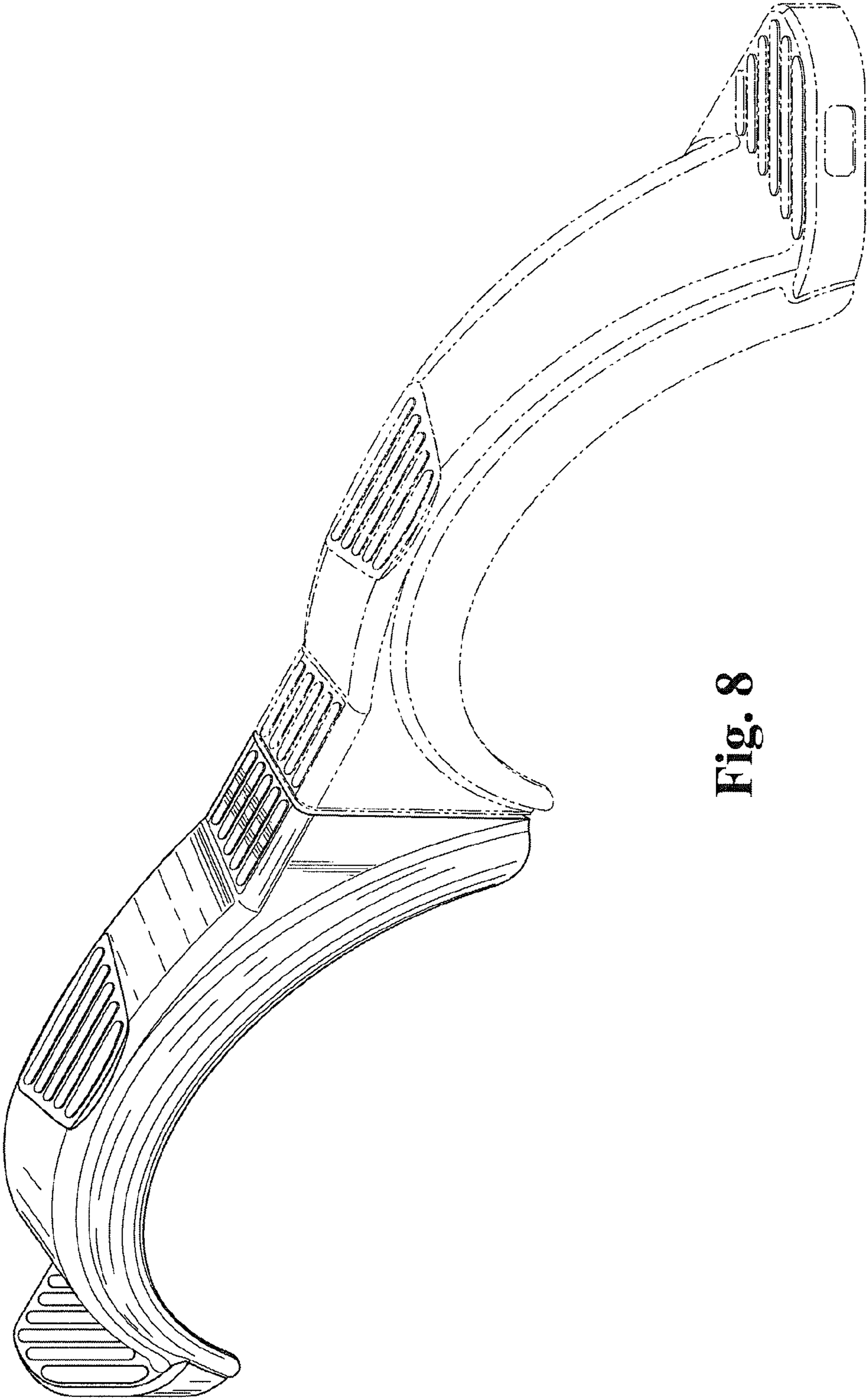


Fig. 8