



US00D571257S

(12) **United States Design Patent**
Biddings

(10) **Patent No.:** **US D571,257 S**
(45) **Date of Patent:** **** Jun. 17, 2008**

(54) **SANDING NOZZLE**
(75) Inventor: **Emma L. Biddings**, Lynwood, IL (US)
(73) Assignee: **Electro-Motive Diesel, Inc.**, LaGrange, IL (US)
(**) Term: **14 Years**
(21) Appl. No.: **29/260,948**
(22) Filed: **Jun. 5, 2006**

(51) **LOC (8) Cl.** **12-03**
(52) **U.S. Cl.** **D12/42**
(58) **Field of Classification Search** D8/1,
D8/2, 40, 80, 107, 307-309, 382, 306, 300-303,
D8/311, 315, 321; D15/199, 13, 1, 2, 5,
D15/17, 18, 28, 72, 78; D23/213; D26/113;
291/44, 41, 46, 47, 20, 1, 2; D12/42, 47,
D12/48, 51, 106, 118, 133, 20, 37, 345, 420,
D12/159, 160, 161, 172, 217, 223; D16/245;
D21/756

See application file for complete search history.

(56) **References Cited**

U.S. PATENT DOCUMENTS

563,237 A * 6/1896 Porter 291/20
1,247,298 A * 11/1917 Lohmiller 291/46
1,545,885 A * 7/1925 Crane et al. 291/28
1,691,018 A * 11/1928 Scott 293/58
2,230,971 A * 2/1941 Elston 291/44
2,451,878 A * 10/1948 Savercool 291/46
2,743,952 A * 5/1956 Dean 291/44
D199,222 S * 9/1964 Fortman D23/207

D315,615 S * 3/1991 Goldstein D26/113
5,118,142 A * 6/1992 Bish 291/46
D348,827 S * 7/1994 Berti et al. D8/382
D414,788 S * 10/1999 Shintani et al. D15/144
D458,722 S * 6/2002 Romero et al. D32/52
6,588,808 B1 * 7/2003 Sheppard 291/41
D484,442 S * 12/2003 Mueller D12/161
D492,569 S * 7/2004 Pecci et al. D8/300
D520,106 S * 5/2006 Jones et al. D23/213

* cited by examiner

Primary Examiner—Robert M. Spear
Assistant Examiner—Ania K Dworzecka

(74) *Attorney, Agent, or Firm*—Cook, Alex, McFarron,
Manzo, Cummings & Mehler, Ltd.

(57) **CLAIM**

The ornamental design for a sanding nozzle, as shown and described.

DESCRIPTION

FIG. 1 is a front perspective view of a sanding nozzle showing my new design;

FIG. 2 is a left side elevational view, the right side being a mirror image;

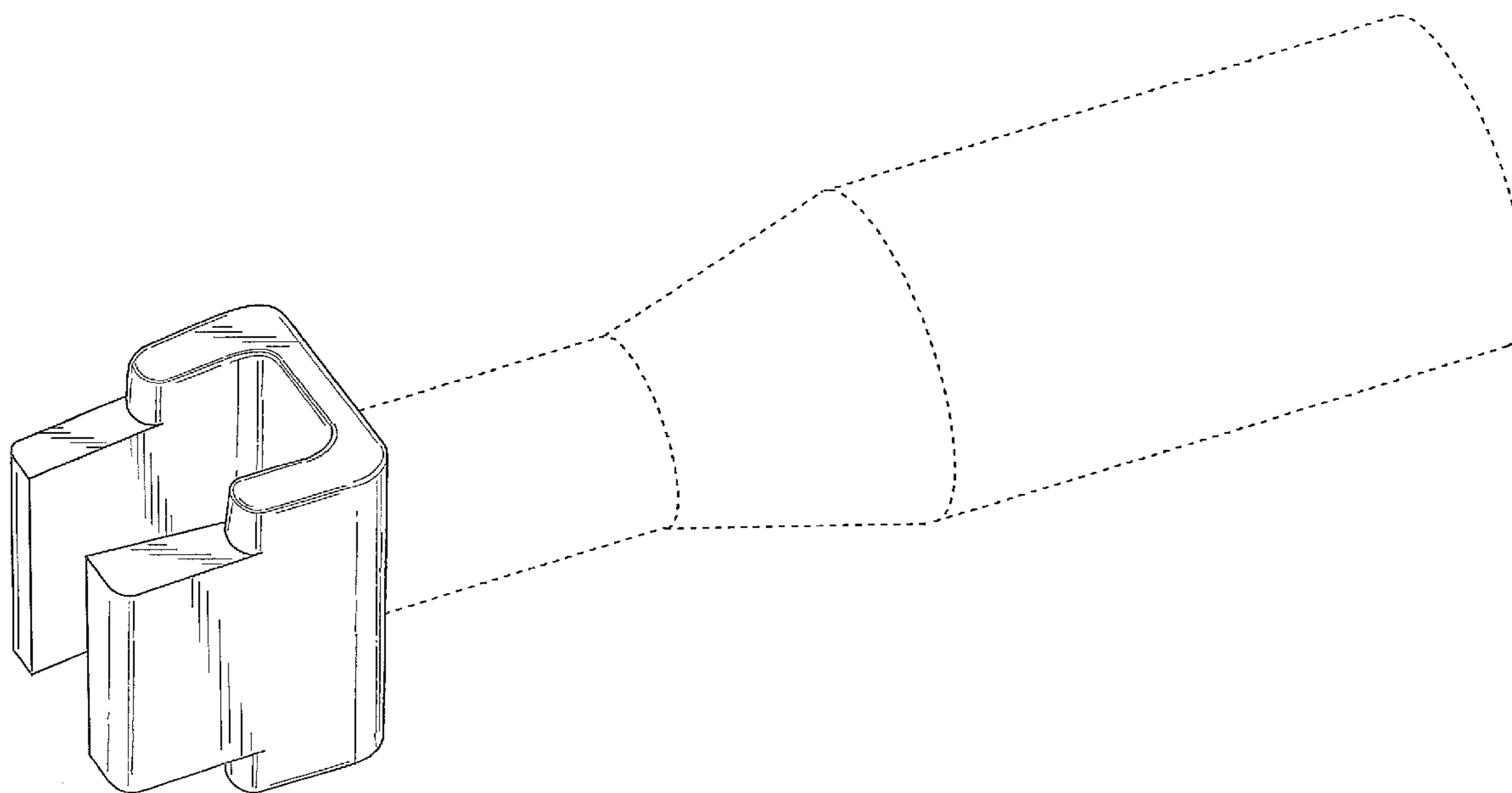
FIG. 3 is a front elevational view;

FIG. 4 is a top plan view, the bottom plan view being a mirror image; and,

FIG. 5 is a rear elevational view.

The broken lines depict unclaimed environmental subject matter, which form no part of the claimed design.

1 Claim, 2 Drawing Sheets



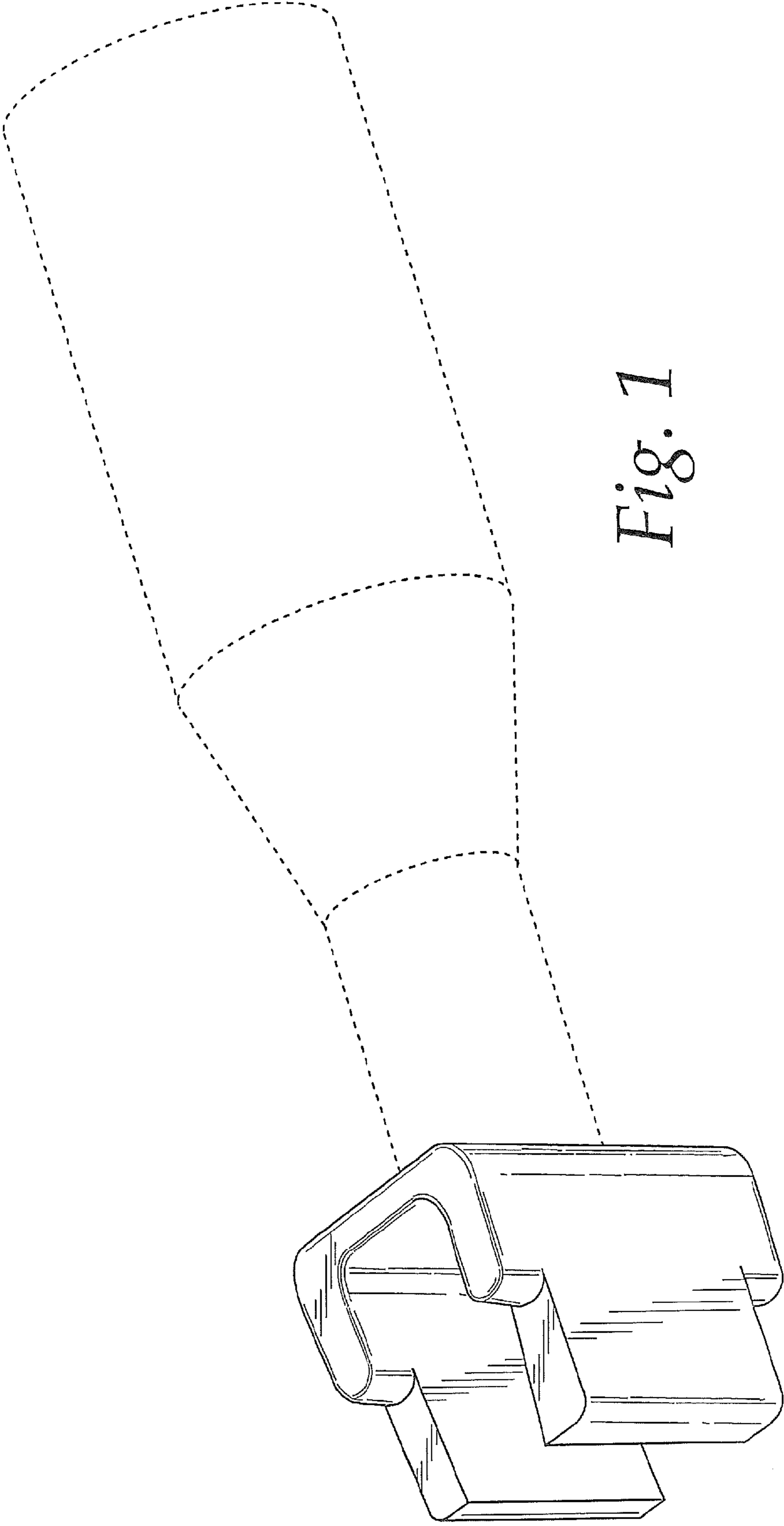


Fig. 1

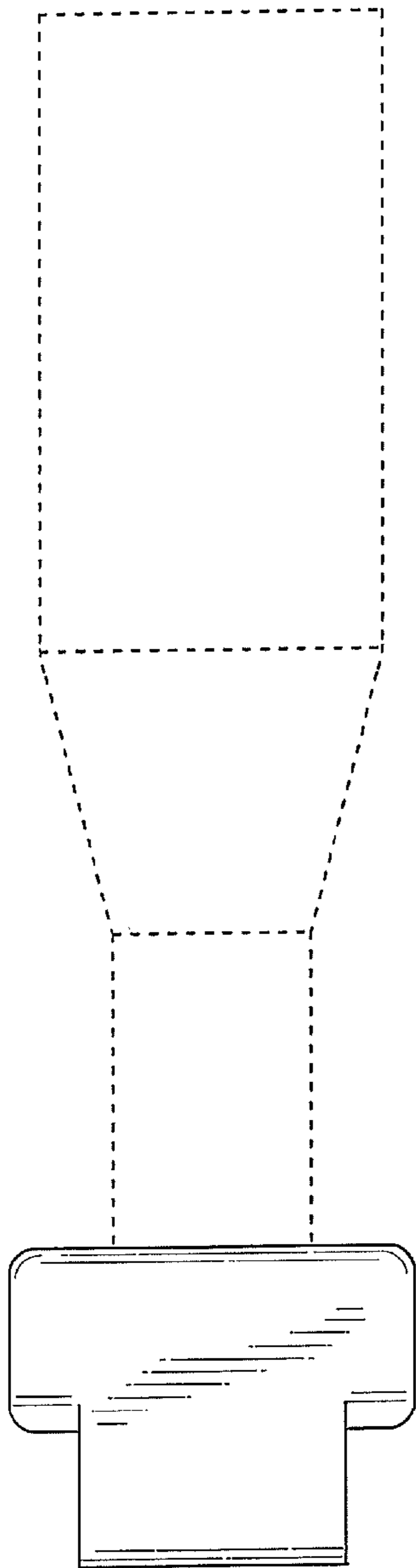


Fig. 2

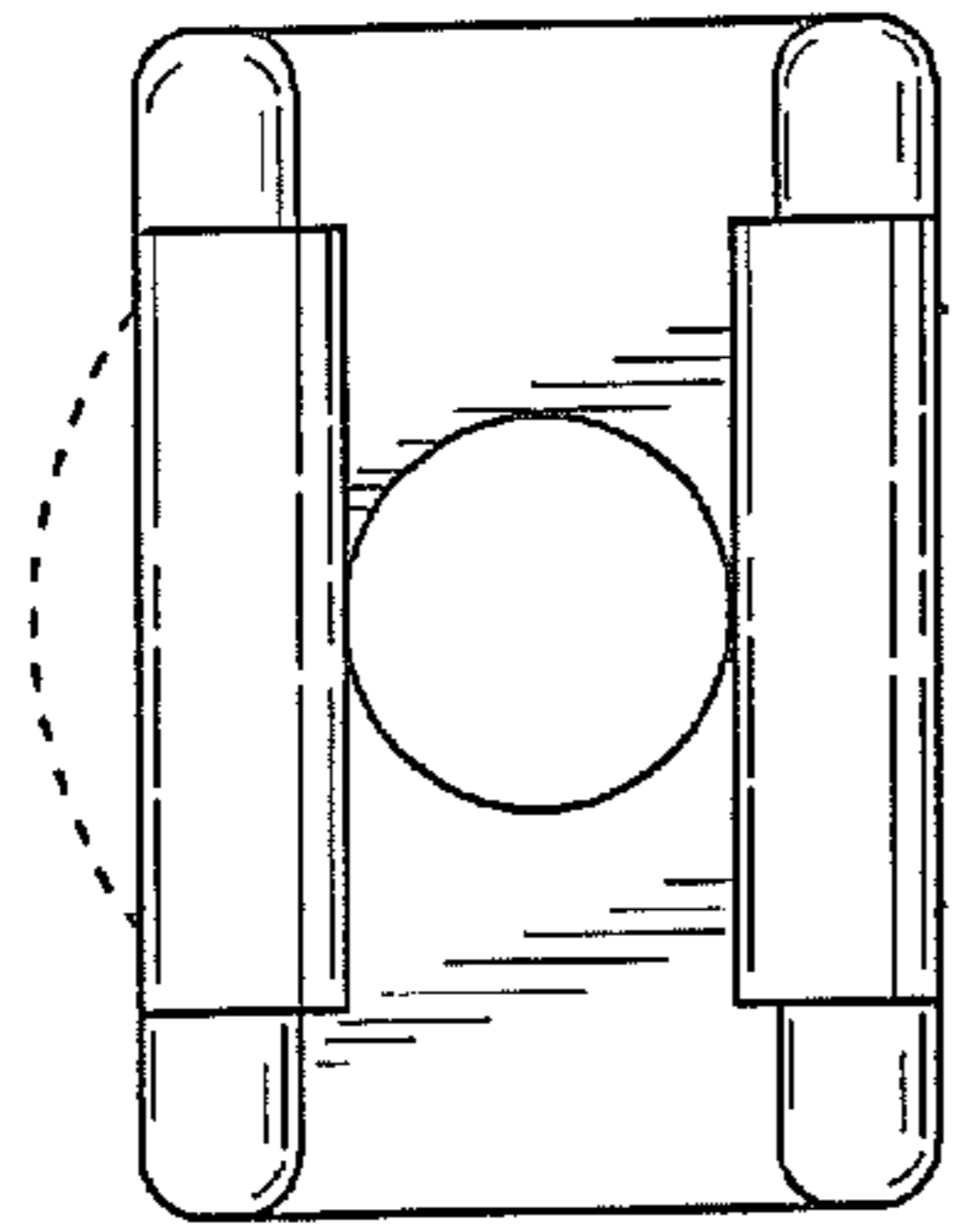


Fig. 3

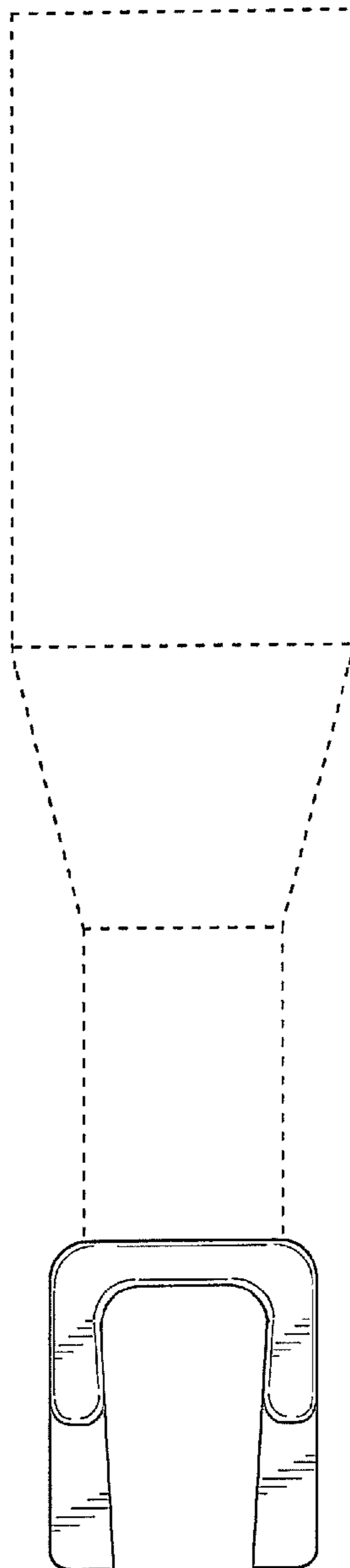


Fig. 4

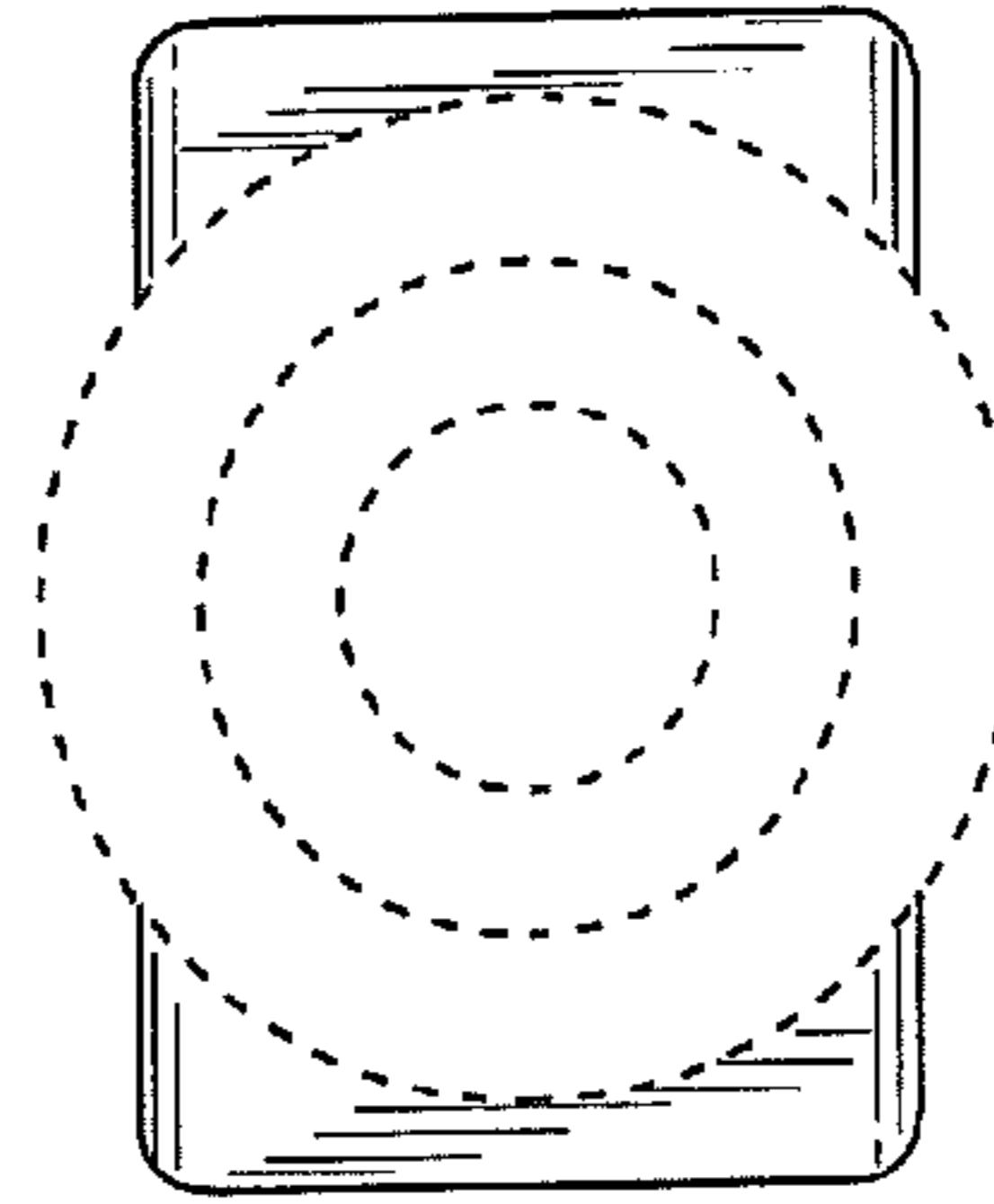


Fig. 5