



US00D571256S

(12) **United States Design Patent**
Curthelet

(10) **Patent No.:** **US D571,256 S**
(45) **Date of Patent:** **** Jun. 17, 2008**

(54) **SNOWMOBILE SIDE PANEL**

(75) Inventor: **Alexandre Curthelet**, Granby (CA)

(73) Assignee: **Bombardier Recreational Products Inc.**, Valcourt (CA)

(**) Term: **14 Years**

(21) Appl. No.: **29/299,219**

(22) Filed: **Dec. 20, 2007**

Related U.S. Application Data

(62) Division of application No. 29/243,210, filed on Nov. 22, 2005, now Pat. No. Des. 563,271.

(51) **LOC (8) Cl.** **12-14**

(52) **U.S. Cl.** **D12/7**

(58) **Field of Classification Search** D12/7,
D12/110, 111, 9, 112, 307, 400, 86, 85, 88;
D21/533; 180/182, 190, 184-186, 9.25,
180/180, 219, 193, 194; 280/845; D6/354
See application file for complete search history.

(56) **References Cited**

U.S. PATENT DOCUMENTS

D403,273 S * 12/1998 Cadotte et al. D12/7
D479,814 S * 9/2003 Cadotte et al. D12/7
D487,233 S * 3/2004 Cadotte et al. D12/7

D487,413 S * 3/2004 Cadotte et al. D12/7
D488,098 S * 4/2004 Cadotte et al. D12/7
D511,998 S * 11/2005 Deluy D12/7

* cited by examiner

Primary Examiner—Robert M. Spear

Assistant Examiner—Ania K Dworzecka

(74) *Attorney, Agent, or Firm*—Osler, Hoskin & Harcourt LLP

(57) **CLAIM**

The ornamental design for a snowmobile side panel, as shown and described.

DESCRIPTION

FIG. 1 is a right rear perspective view of a snowmobile side panel according to my design;

FIG. 2 is a rear elevation view thereof;

FIG. 3 is a front elevation view thereof;

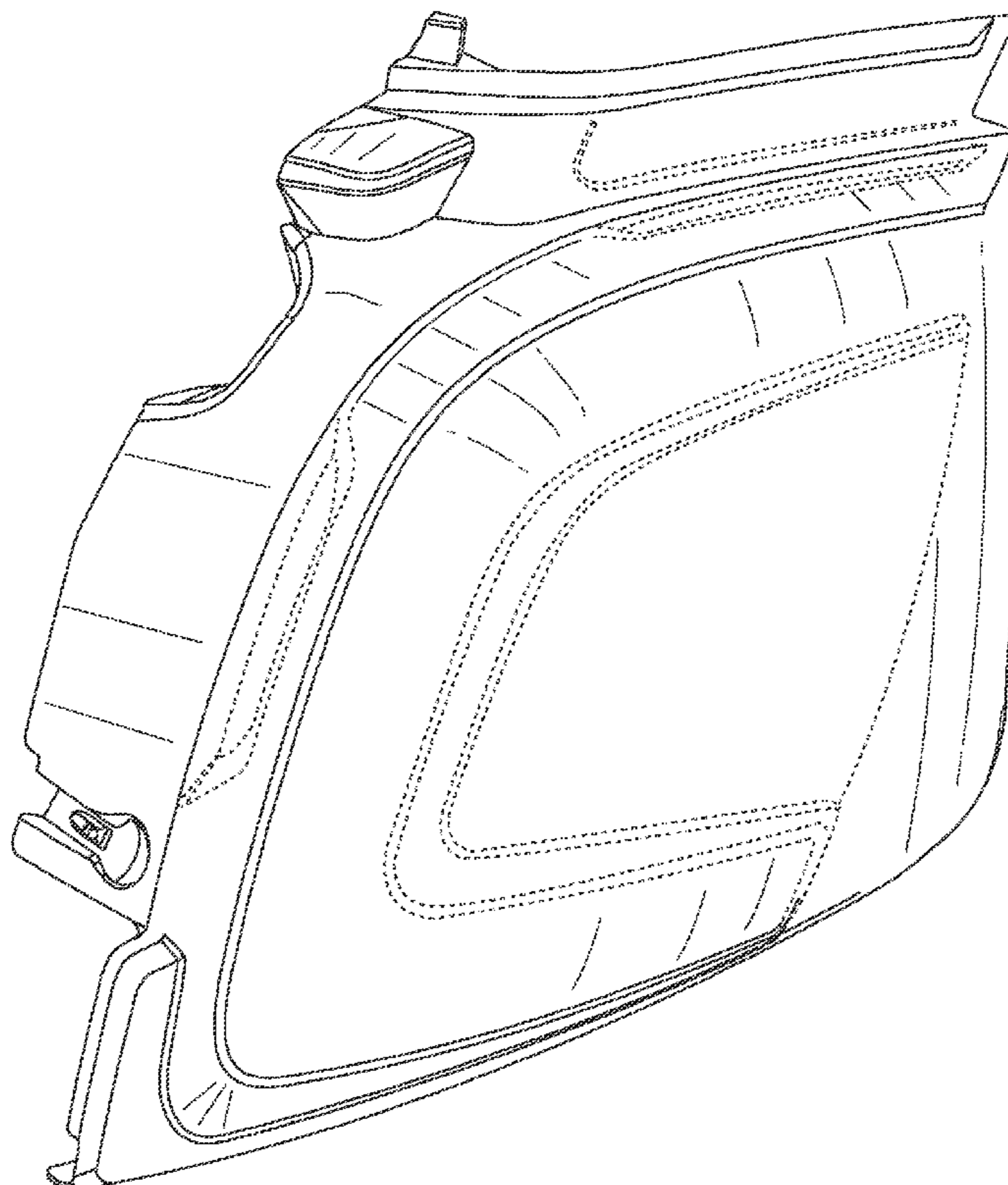
FIG. 4 is a right side elevation view thereof;

FIG. 5 is a top plan view thereof; and,

FIG. 6 is a bottom plan view thereof.

Throughout the Figures, broken lines showing structure are for illustrative purposes only and form no part of the claimed design. Portions of the snowmobile side panel not shown in the Figure form no part of the claimed design.

1 Claim, 5 Drawing Sheets



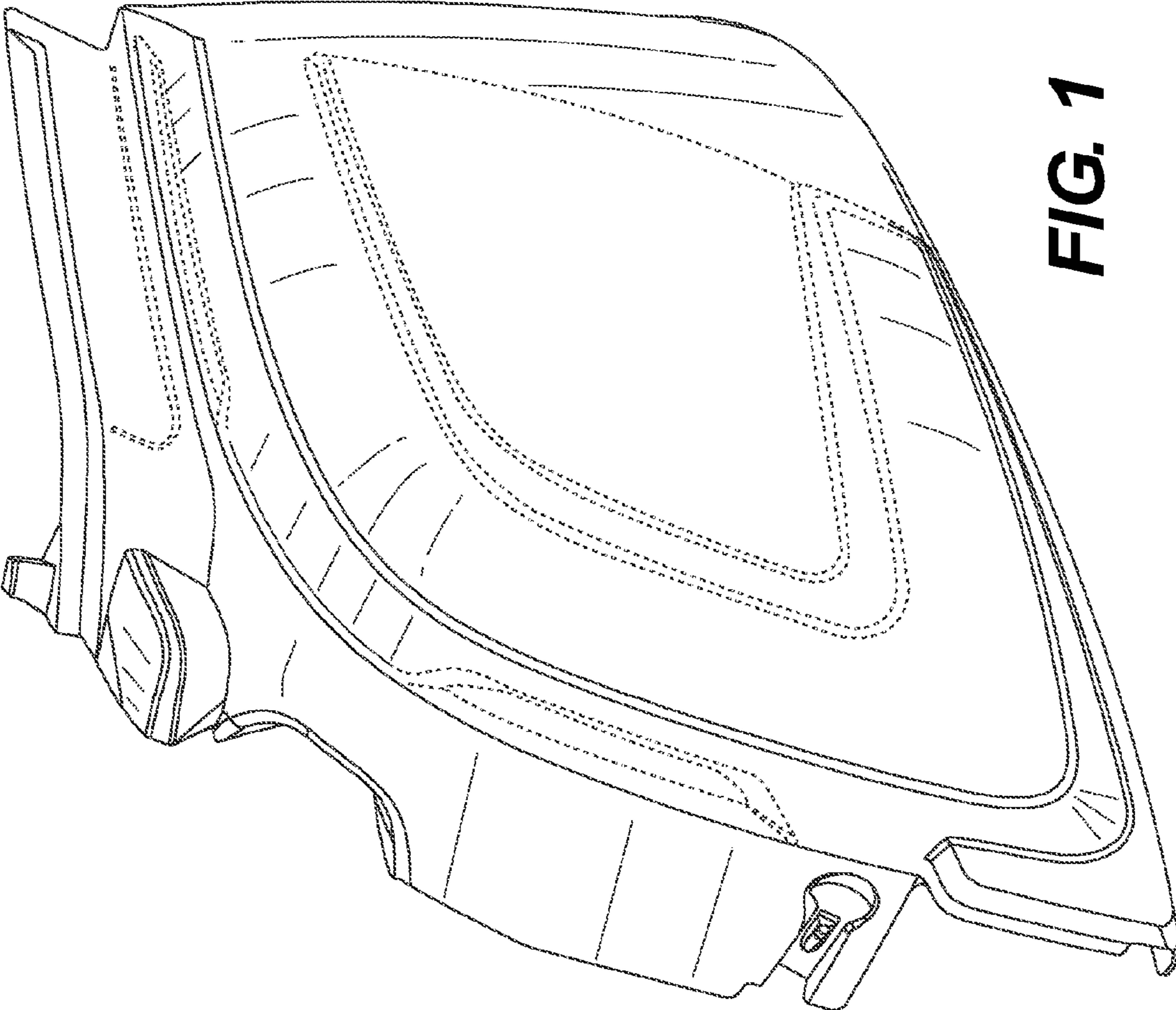


FIG. 1

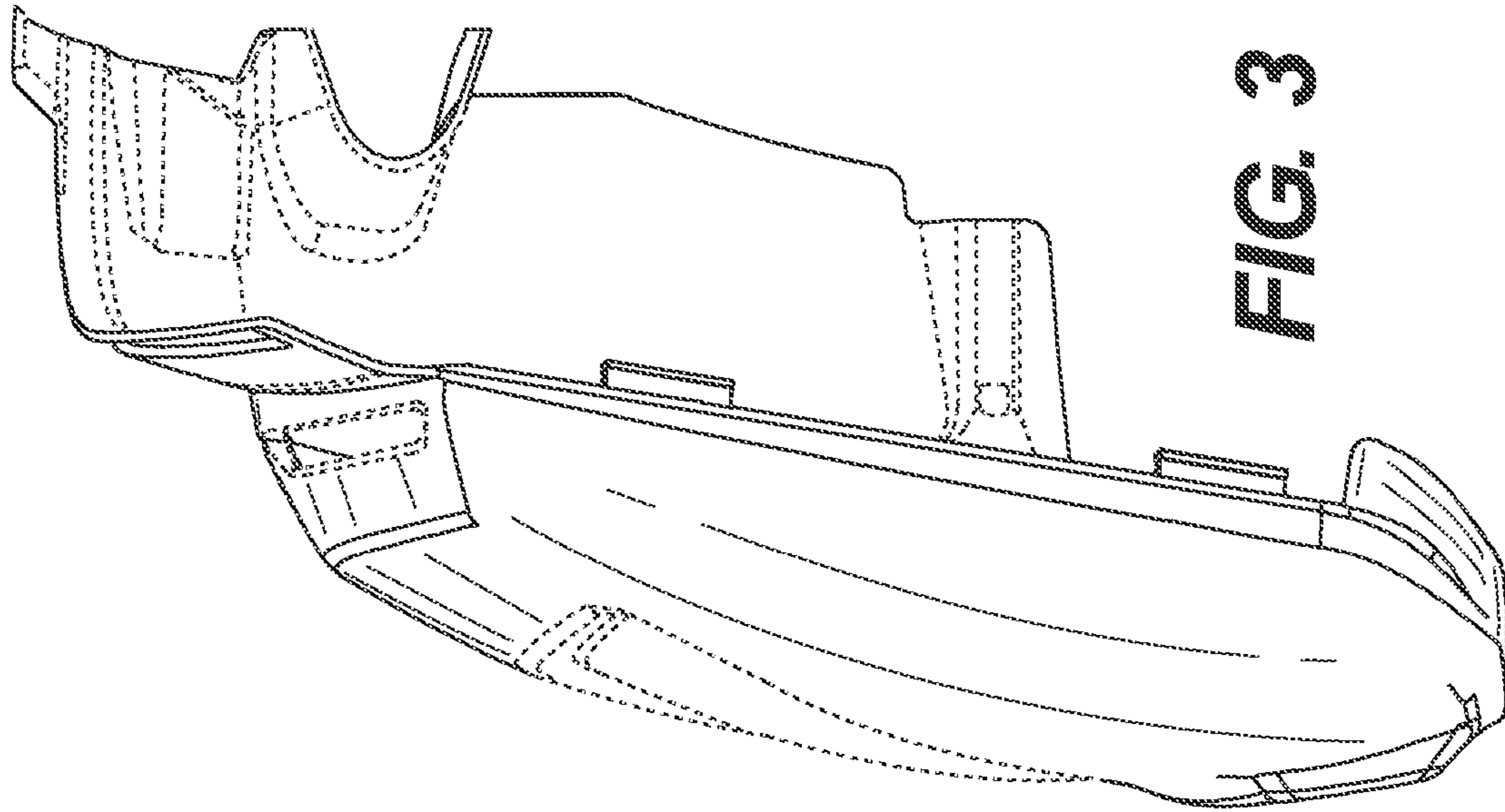


FIG. 3

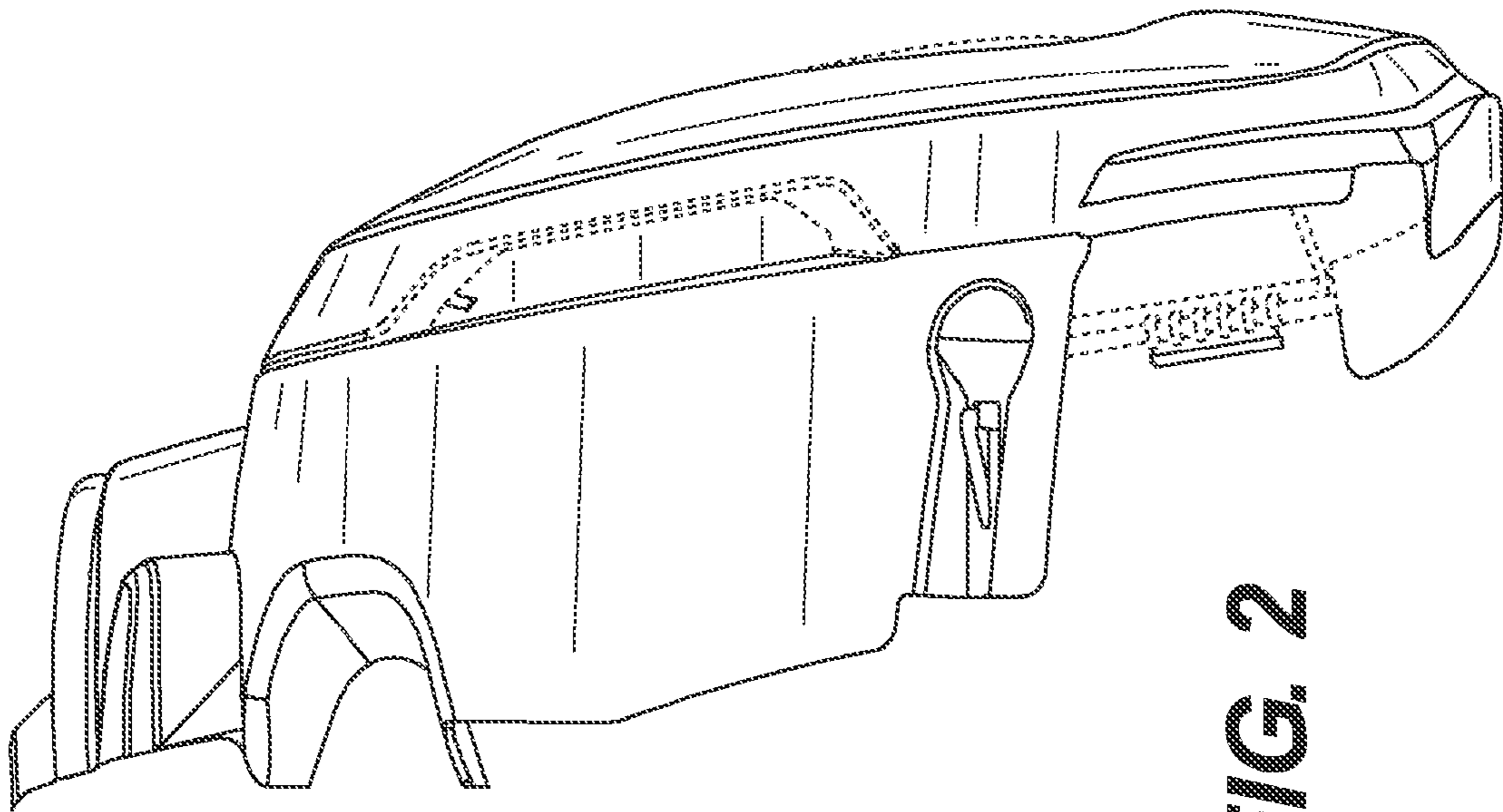


FIG. 2

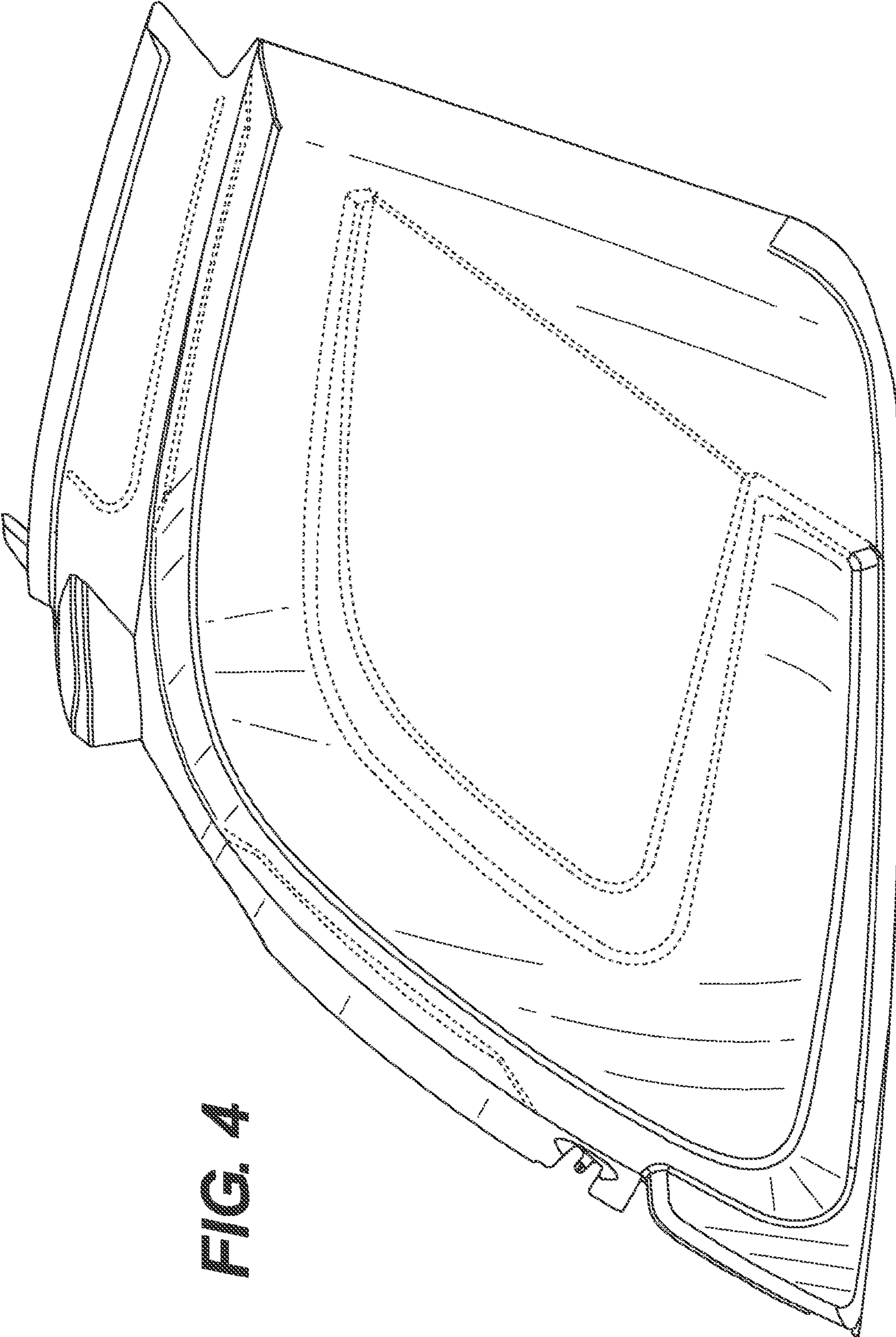


FIG. 4

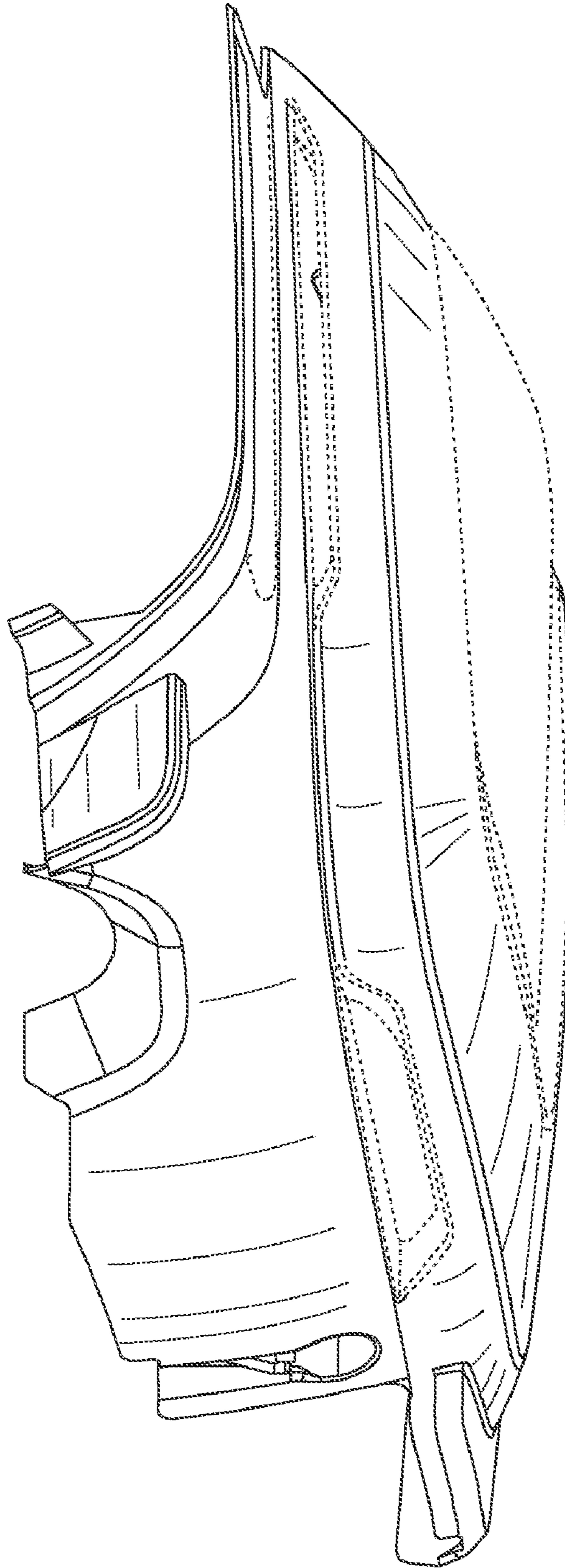


FIG. 5

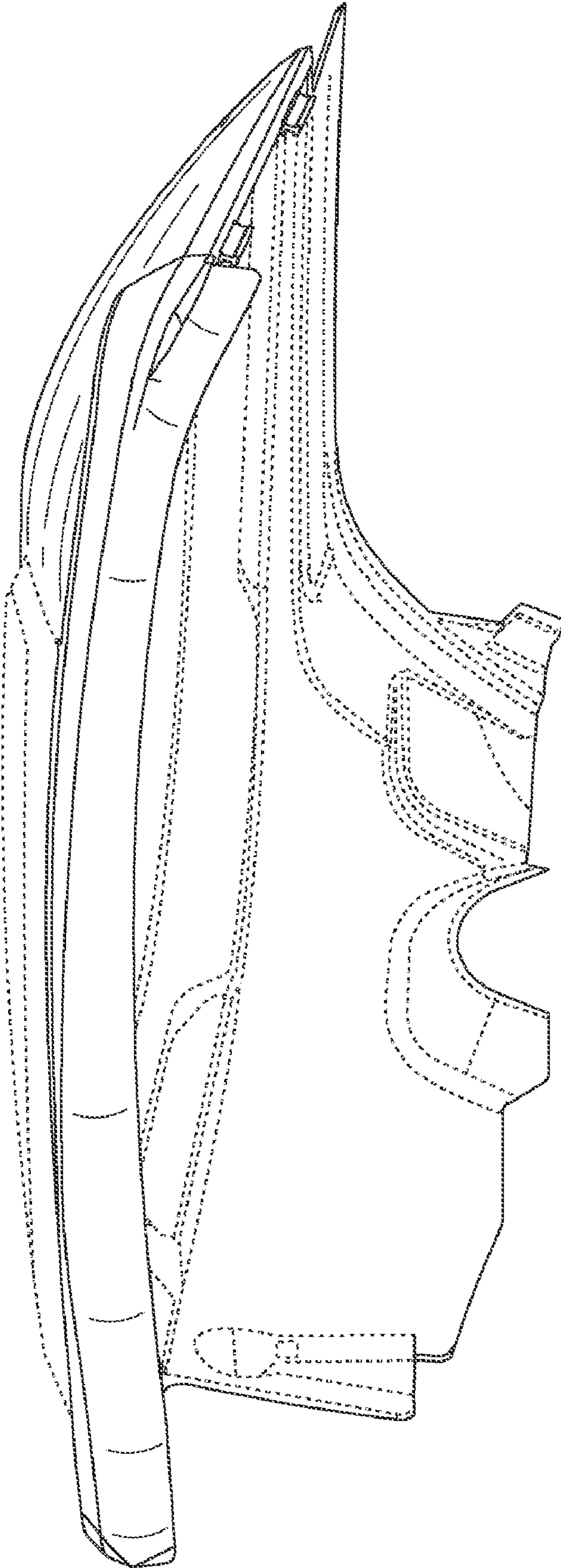


FIG. 6

UNITED STATES PATENT AND TRADEMARK OFFICE
CERTIFICATE OF CORRECTION

PATENT NO. : Des. 571,256 S
APPLICATION NO. : 29/299219
DATED : June 17, 2008
INVENTOR(S) : Alexandre Curthelet

Page 1 of 7

It is certified that error appears in the above-identified patent and that said Letters Patent is hereby corrected as shown below:

Delete the Title Page and substitute therefor the attached Title Page.

Delete Drawing Sheets 1-5 and substitute therefor the attached Drawing Sheets 1-5.

Signed and Sealed this

Twenty-fourth Day of March, 2009



JOHN DOLL
Acting Director of the United States Patent and Trademark Office

(12) **United States Design Patent**
Curthelet

(10) **Patent No.:** US D571,256 S
 (45) **Date of Patent:** ** Jun. 17, 2008

- (54) **SNOWMOBILE SIDE PANEL**
- (75) **Inventor:** Alexandre Curthelet, Granby (CA)
- (73) **Assignee:** Bombardier Recreational Products Inc., Valcourt (CA)
- (**) **Term:** 14 Years
- (21) **Appl. No.:** 29/299,219
- (22) **Filed:** Dec. 20, 2007

- D487,413 S * 3/2004 Cadotte et al. D12/7
- D488,098 S * 4/2004 Cadotte et al. D12/7
- D511,998 S * 11/2005 Deluy D12/7

* cited by examiner

Primary Examiner---Robert M. Spear
Assistant Examiner---Ania K Dworzecka
 (74) *Attorney, Agent, or Firm*---Osler, Hoskin & Harcourt LLP

Related U.S. Application Data

- (62) Division of application No. 29/243,210, filed on Nov. 22, 2005, now Pat. No. Des. 563,271.
- (51) **LOC (8) Cl.** 12-14
- (52) **U.S. Cl.** D12/7
- (58) **Field of Classification Search** D12/7,
 D12/110, 111, 9, 112, 307, 400, 86, 85, 88;
 D21/533; 180/182, 190, 184-186, 9.25,
 180/180, 219, 193, 194; 280/845; DG/354
 See application file for complete search history.

References Cited

U.S. PATENT DOCUMENTS

- D403,273 S * 12/1998 Cadotte et al. D12/7
- D479,814 S * 9/2003 Cadotte et al. D12/7
- D487,233 S * 3/2004 Cadotte et al. D12/7

(57) **CLAIM**

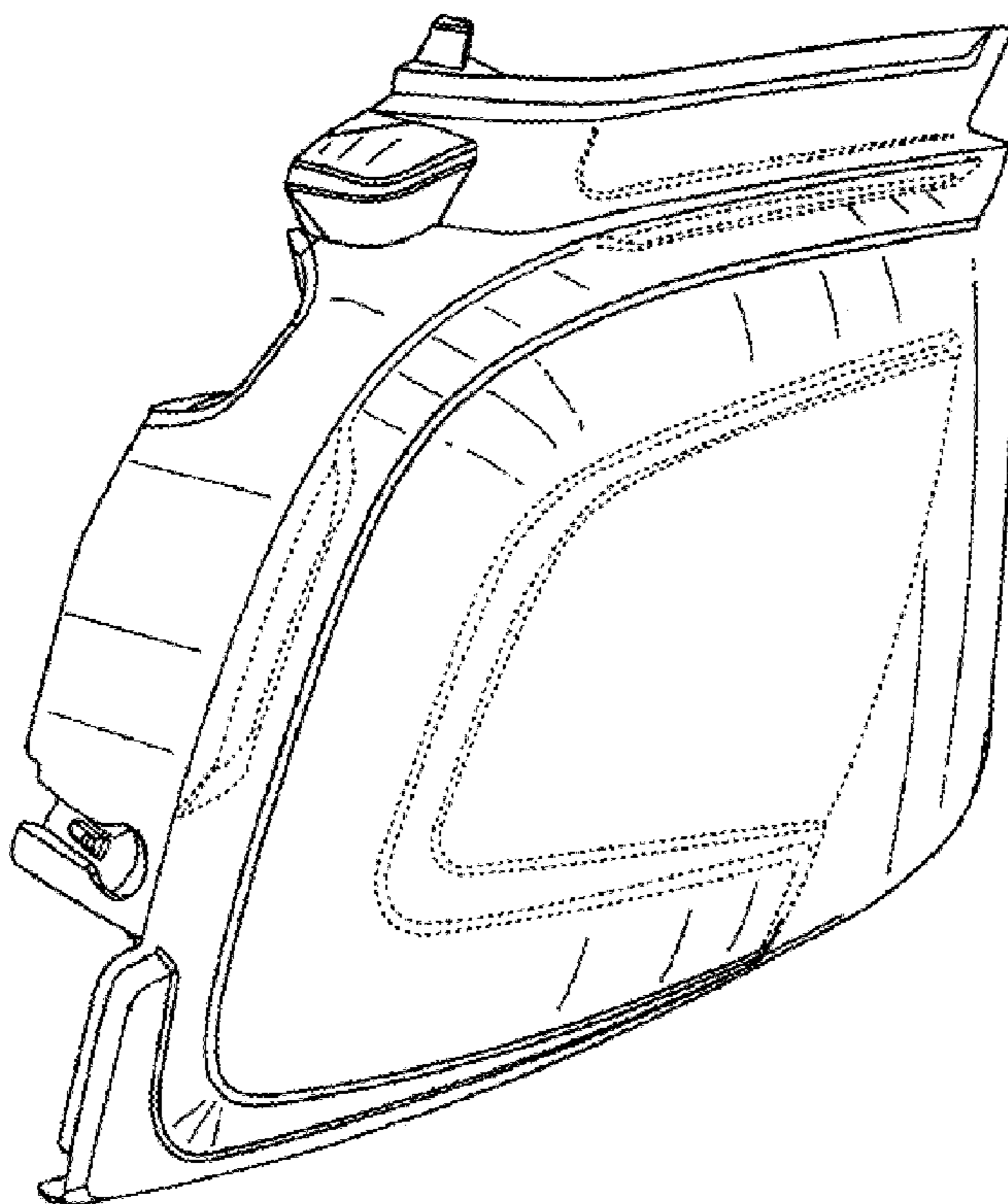
The ornamental design for a snowmobile side panel, as shown and described.

DESCRIPTION

FIG. 1 is a right rear perspective view of a snowmobile side panel according to my design;
 FIG. 2 is a rear elevation view thereof;
 FIG. 3 is a front elevation view thereof;
 FIG. 4 is a right side elevation view thereof;
 FIG. 5 is a top plan view thereof; and,
 FIG. 6 is a bottom plan view thereof.

Throughout the Figures, broken lines showing structure are for illustrative purposes only and form no part of the claimed design. Portions of the snowmobile side panel not shown in the Figure form no part of the claimed design.

1 Claim, 5 Drawing Sheets



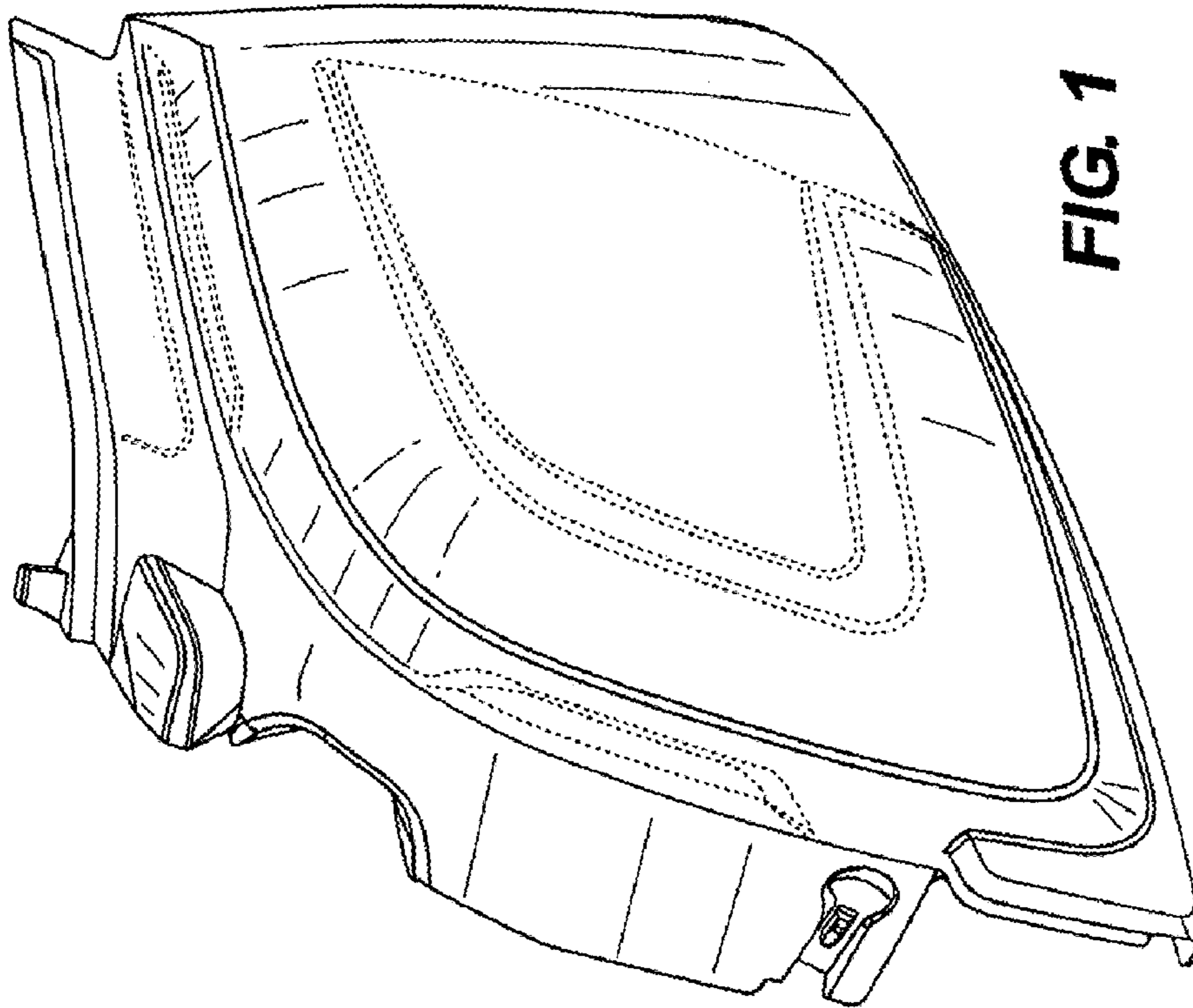
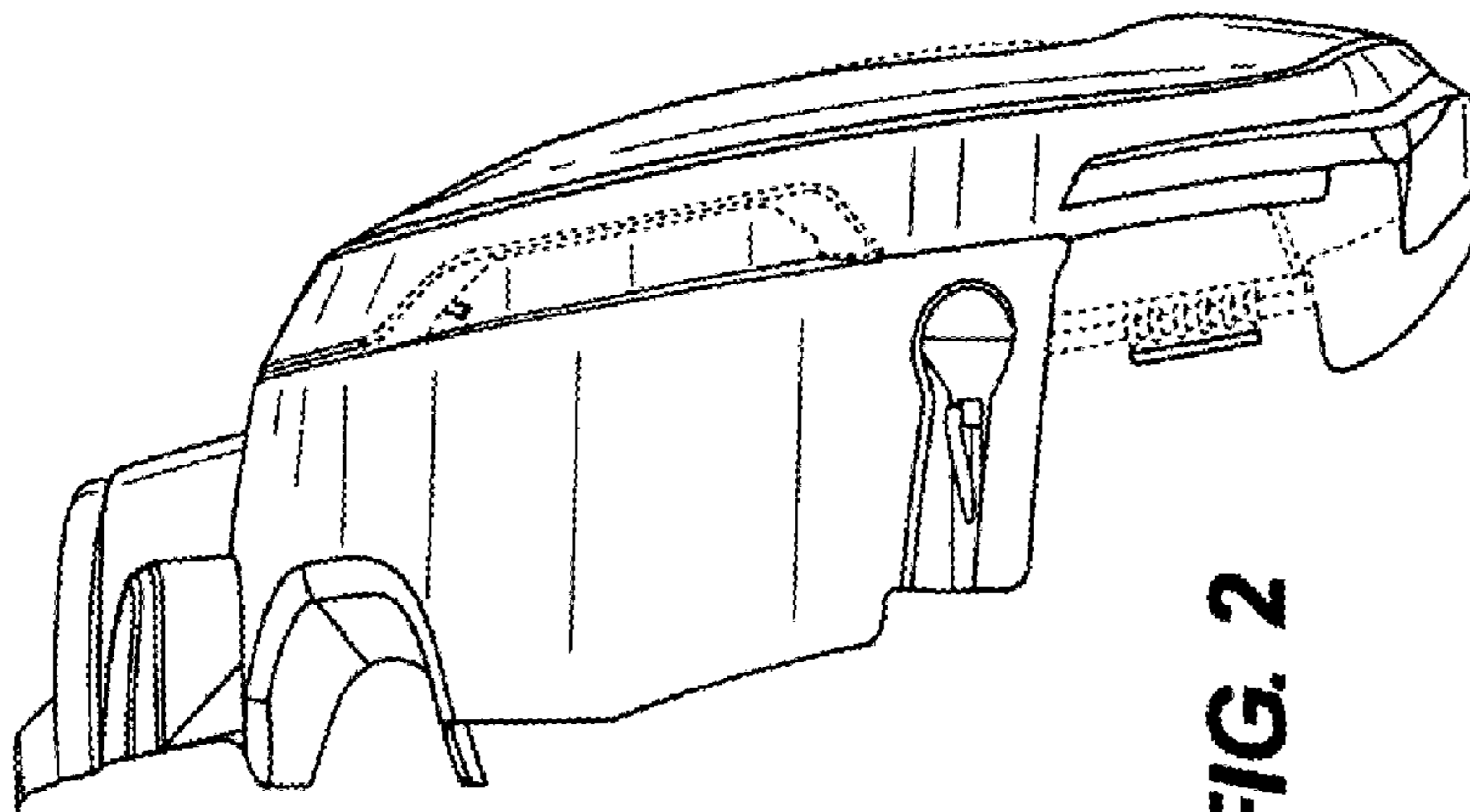
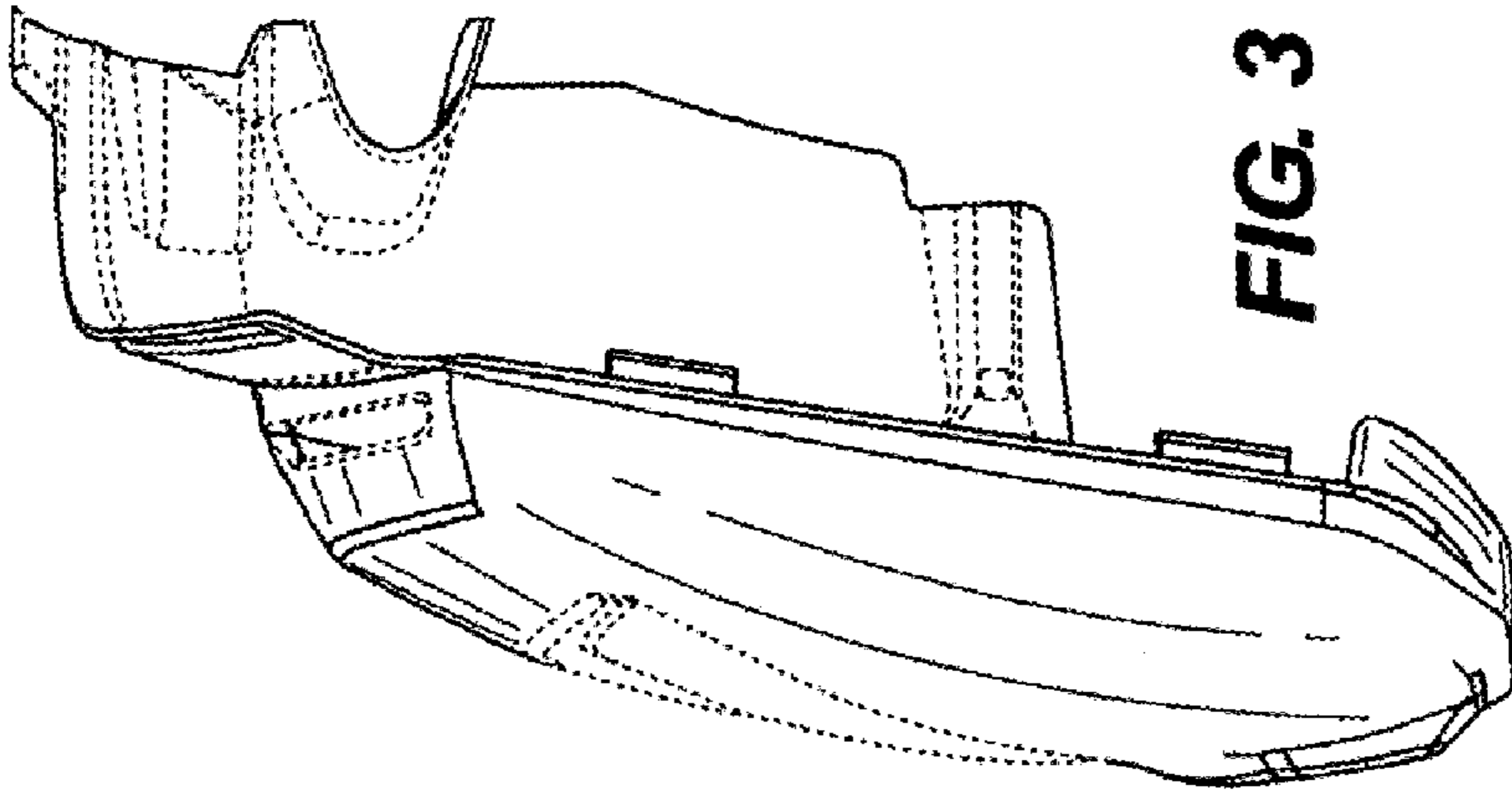


FIG. 1



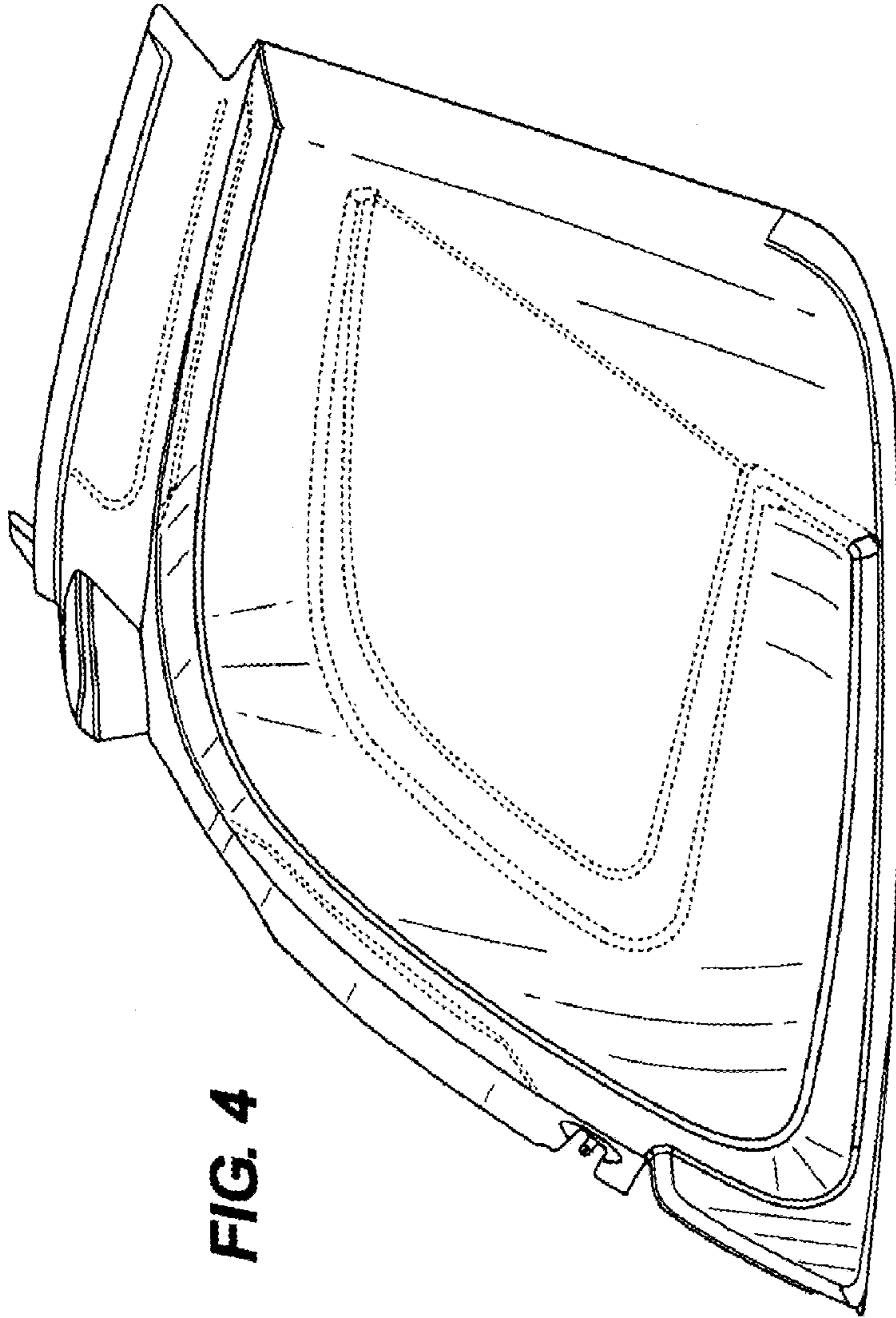


FIG. 4

U.S. Patent

Jun. 17, 2008

Sheet 4 of 5

D571,256 S

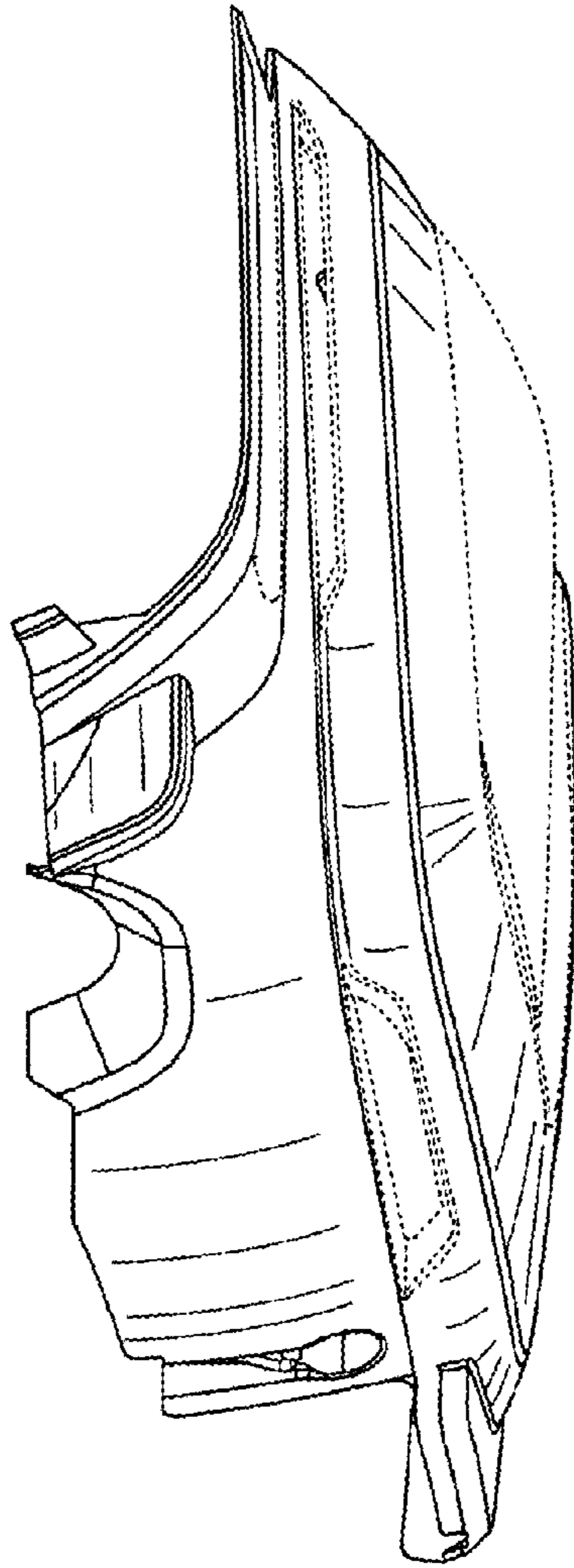


FIG. 5

U.S. Patent

Jun. 17, 2008

Sheet 5 of 5

D571,256 S

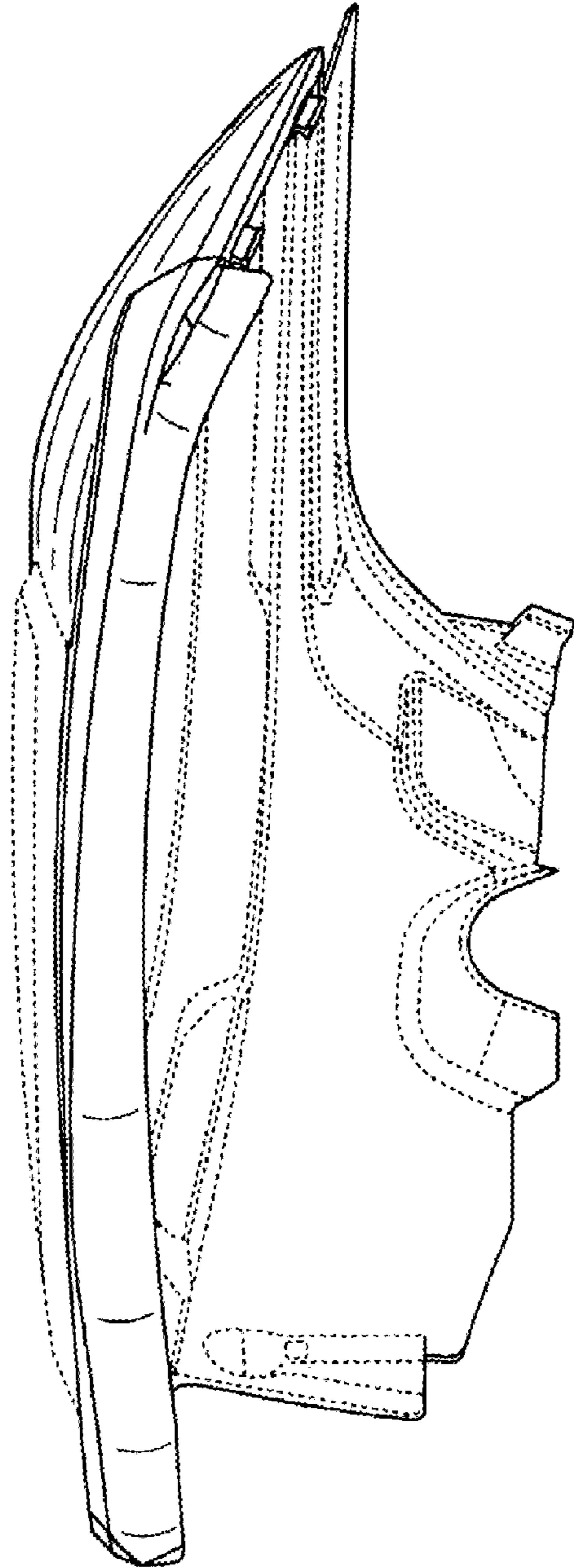


FIG. 6