



US00D571255S

(12) **United States Design Patent**  
**Wong**

(10) **Patent No.:** **US D571,255 S**  
(45) **Date of Patent:** **\*\* Jun. 17, 2008**

(54) **TUBE CANDLE**

(75) Inventor: **Wingkin Wong**, Zhongshan (CN)

(73) Assignee: **Zhongshan Zhongnam Candle  
Manufacturer Co., Ltd.**, Zhongshan,  
Guangdong Province (CN)

(\*\*) Term: **14 Years**

(21) Appl. No.: **29/287,152**

(22) Filed: **Jul. 3, 2007**

(51) **LOC (8) Cl.** ..... **26-04**

(52) **U.S. Cl.** ..... **D12/6**

(58) **Field of Classification Search** ..... D26/6-23;  
431/288, 125, 126, 292, 289, 35  
See application file for complete search history.

(56) **References Cited**

**U.S. PATENT DOCUMENTS**

- 117,763 A \* 8/1871 Fritsch ..... 431/289
- D216,570 S \* 2/1970 Reiher ..... D26/6
- D244,056 S \* 4/1977 Jimenez et al. .... D26/6
- 2007/0298358 A1\* 12/2007 Viggiani ..... 431/35

**OTHER PUBLICATIONS**

2005 Clever Gear Catalog, 2 pages of photographs.\*  
Eclipse, Candle by the Hour Catalog, 4 pages.\*

\* cited by examiner

*Primary Examiner*—Robert M. Spear

*Assistant Examiner*—Ania K Dworzecka

(74) *Attorney, Agent, or Firm*—Lau & Associates, LLC.

(57) **CLAIM**

The ornamental design for a tube candle, as shown and described.

**DESCRIPTION**

FIG. 1 is a perspective view of a tube candle showing my new design;

FIG. 2 is a front elevational view thereof;

FIG. 3 is a rear elevational view thereof;

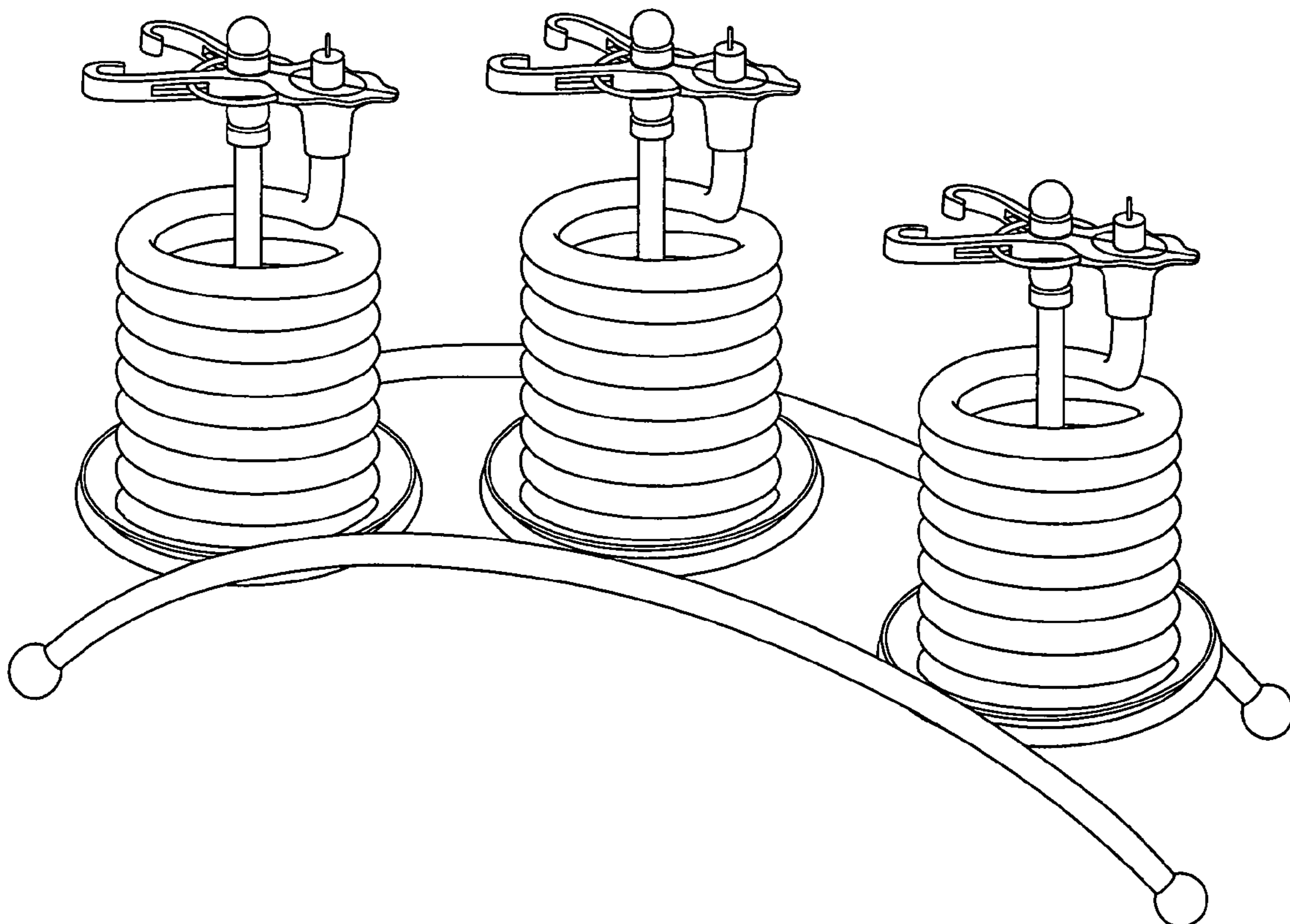
FIG. 4 is a right side elevational view thereof;

FIG. 5 is a left side elevational view thereof;

FIG. 6 is a bottom plan view thereof; and,

FIG. 7 is a top plan view thereof.

**1 Claim, 4 Drawing Sheets**



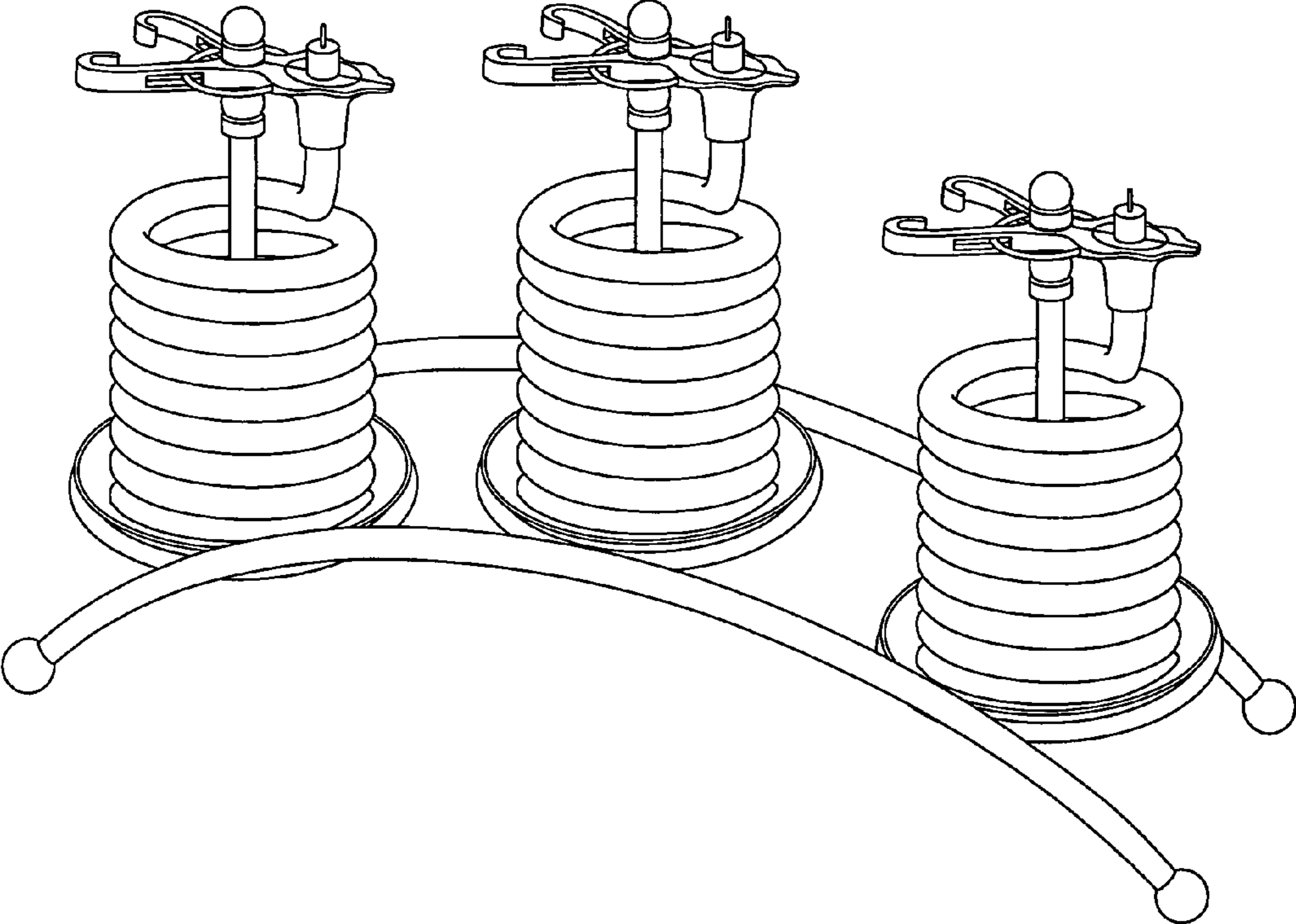


FIG. 1

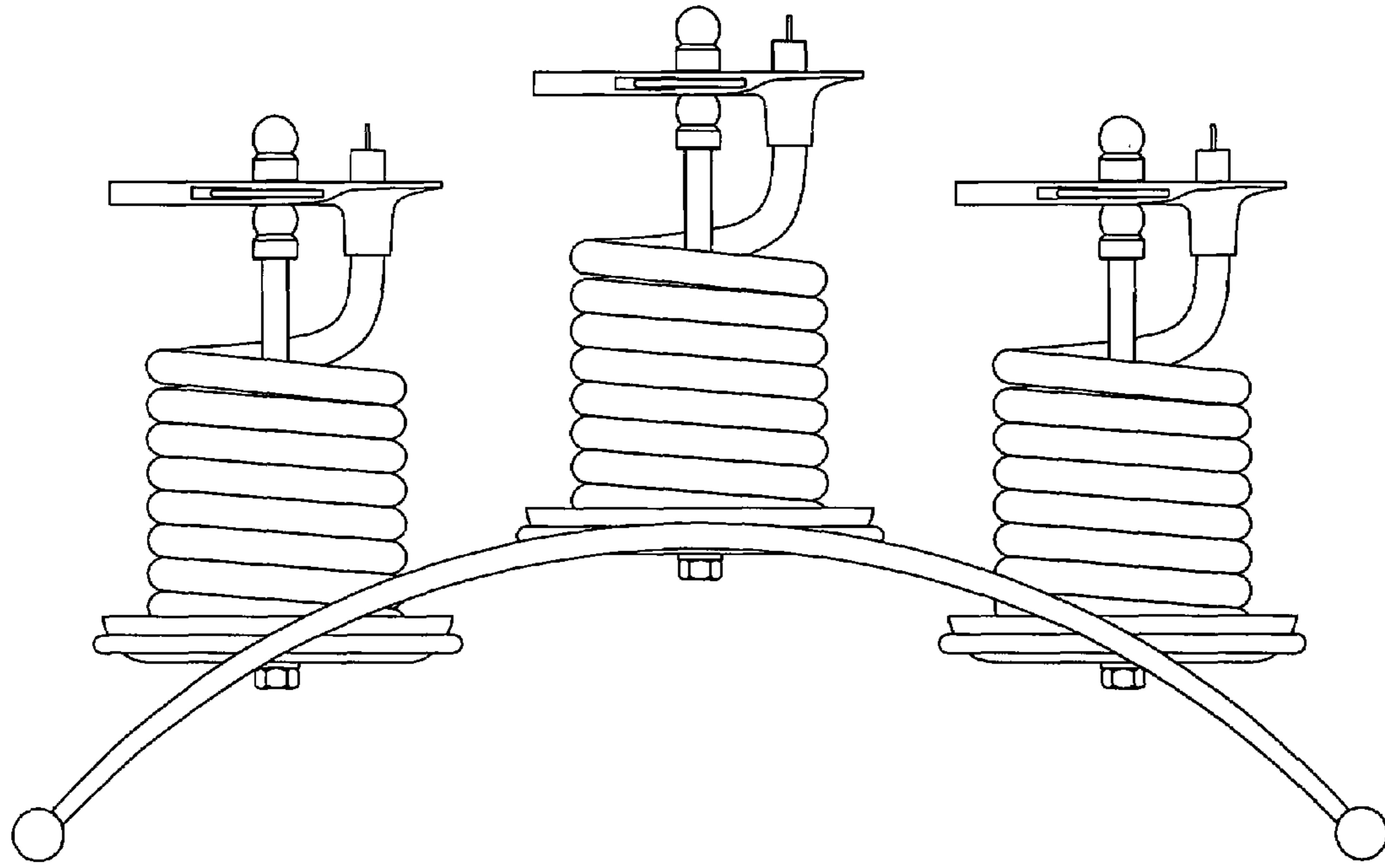


FIG. 2

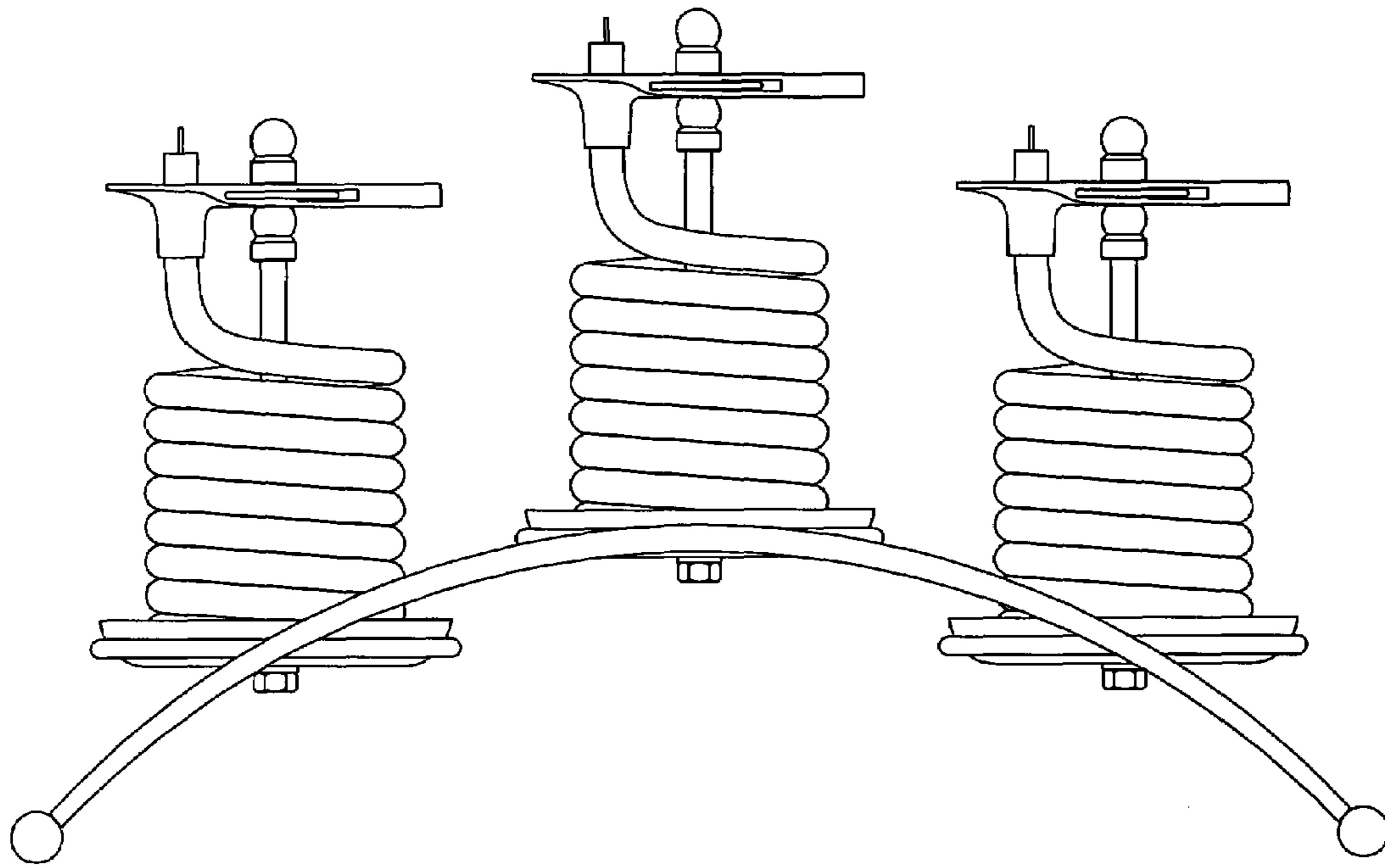


FIG. 3

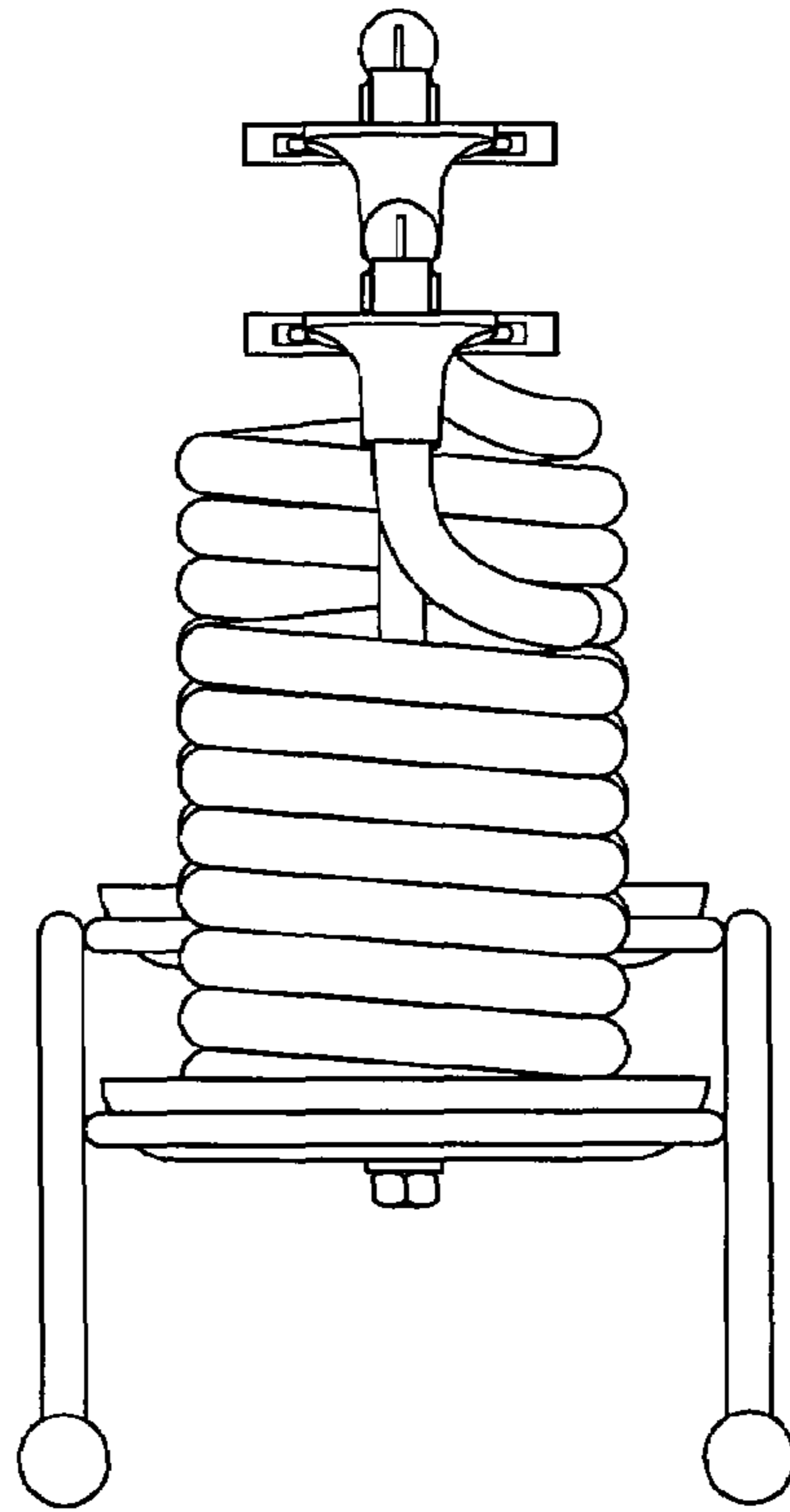


FIG. 4

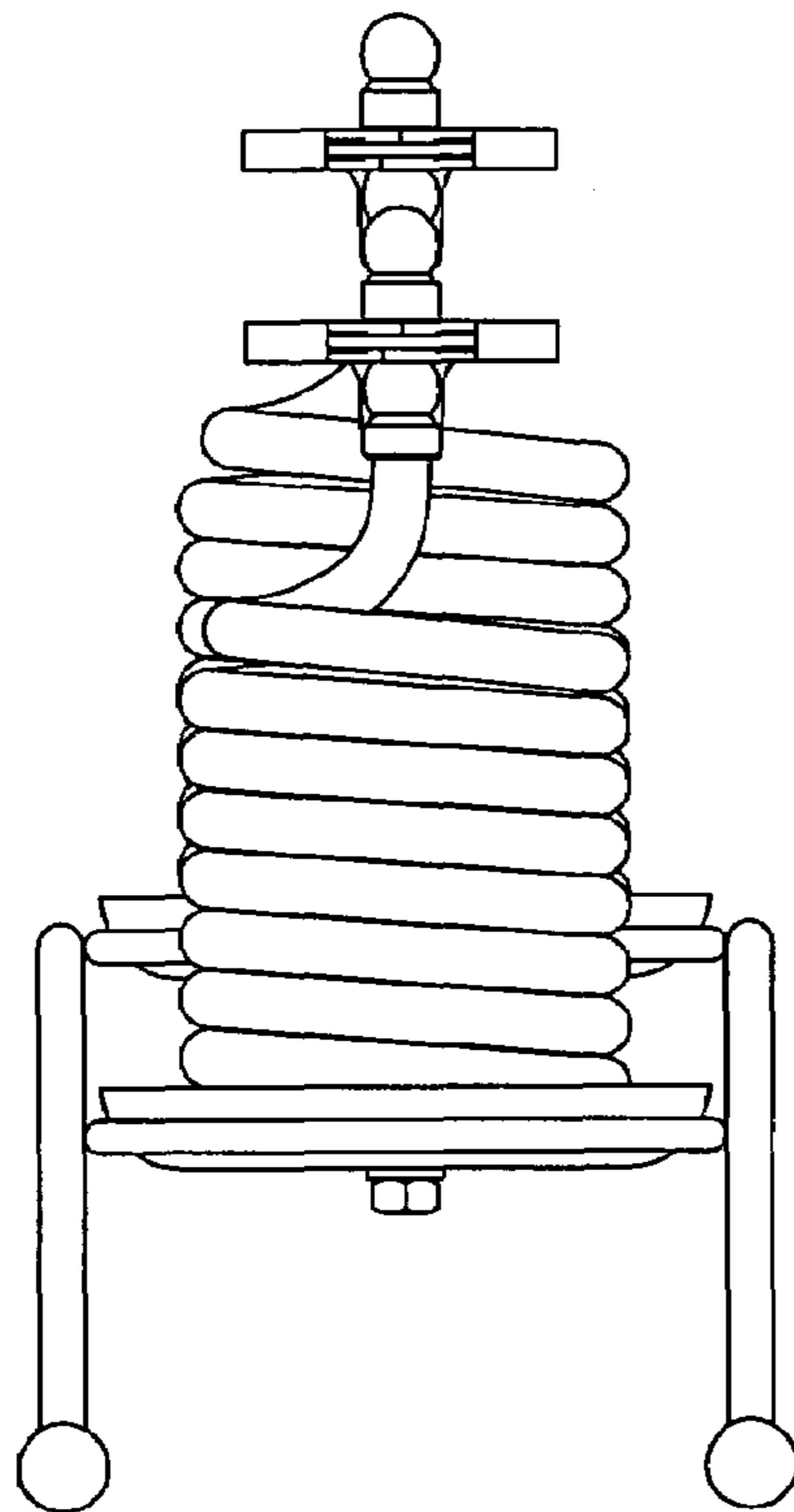


FIG. 5

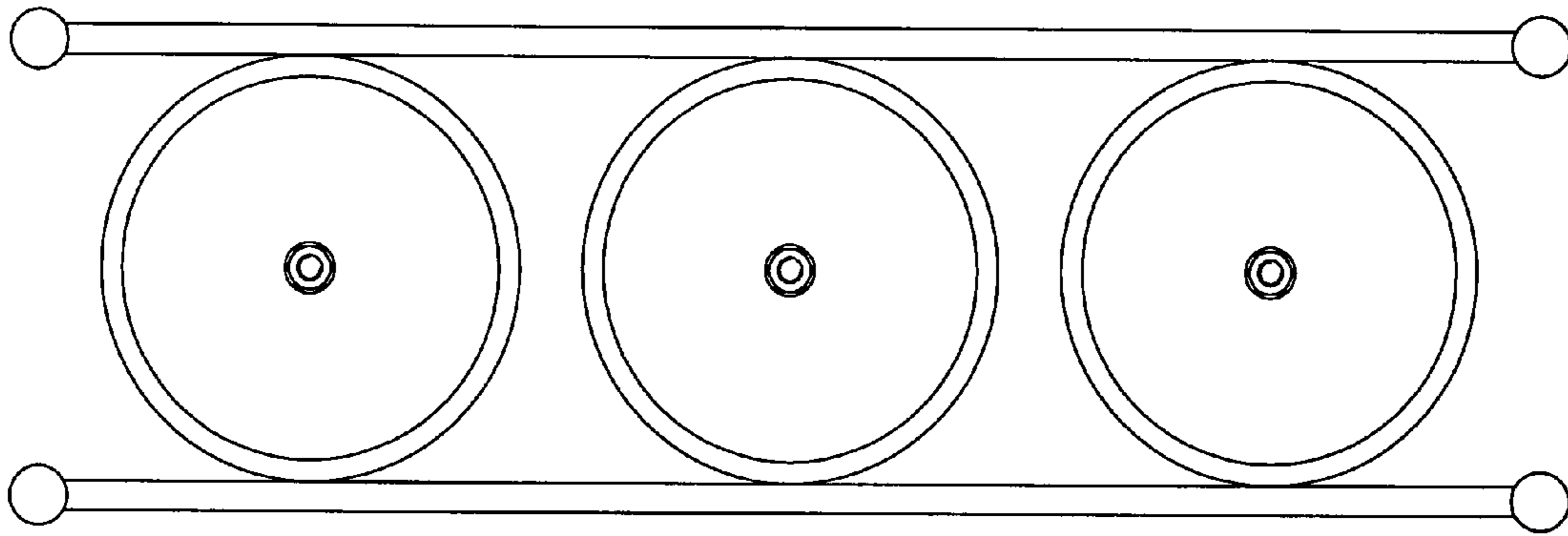


FIG. 6

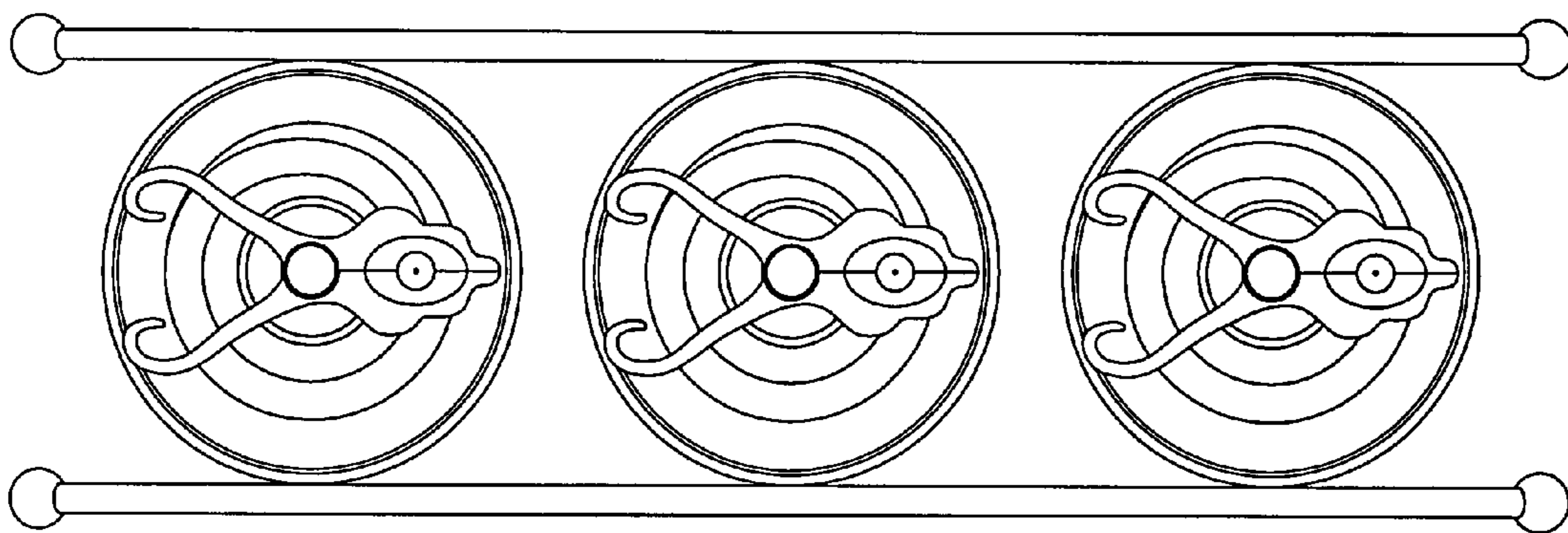


FIG. 7