



US00D571253S

(12) **United States Design Patent**
Cavness

(10) **Patent No.:** **US D571,253 S**

(45) **Date of Patent:** **** Jun. 17, 2008**

(54) **QUESTION MARK SCULPTURE**

(75) **Inventor:** **John Arthur Cavness**, San Angelo, TX
(US)

(73) **Assignee:** **O-I-C it Studios, LLC**, Lewisville, TX
(US)

(**) **Term:** **14 Years**

(21) **Appl. No.:** **29/255,819**

(22) **Filed:** **Mar. 13, 2006**

(51) **LOC (8) Cl.** **11-02**

(52) **U.S. Cl.** **D11/157**

(58) **Field of Classification Search** D11/157,
D11/158, 160, 163, 164, 162, 137, 131, 96,
D11/81; D6/419; D99/25; D10/118; 428/3,
428/7-16; 52/80.1, 81.6

See application file for complete search history.

(56) **References Cited**

U.S. PATENT DOCUMENTS

| | | | | |
|--------------|---------|------------------------------------|-------|---------|
| D120,174 S * | 4/1940 | Silson | | D11/2 |
| D190,997 S * | 8/1961 | O'Shea | | D11/137 |
| D244,516 S * | 5/1977 | Lewis | | D11/81 |
| D245,381 S * | 8/1977 | Lilley | | D6/419 |
| D246,353 S * | 11/1977 | Elkaim | | D11/8 |
| D246,398 S * | 11/1977 | Raulson | | D26/14 |
| D268,826 S * | 5/1983 | Carbajales Santa-Eulalia et al. | | D11/162 |
| D272,427 S * | 1/1984 | Moyet | | D11/162 |
| D318,819 S * | 8/1991 | Geydushek | | D11/81 |
| D341,790 S * | 11/1993 | Wanek | | D10/118 |
| D376,245 S * | 12/1996 | Brantley-Alcock | | D99/25 |
| D401,883 S * | 12/1998 | Madhvani | | D11/81 |
| D417,168 S * | 11/1999 | Hollingsworth | | D11/121 |
| D466,791 S * | 12/2002 | Kelleghan | | D8/356 |
| D472,184 S * | 3/2003 | Ben-Haim | | D11/157 |
| D494,884 S * | 8/2004 | Steiner | | D11/96 |
| D526,241 S * | 8/2006 | Cavness | | D11/157 |
| D526,242 S * | 8/2006 | Cavness | | D11/157 |

| | | | | |
|--------------|--------|---------|-------|---------|
| D527,303 S * | 8/2006 | Cavness | | D11/157 |
| D527,677 S * | 9/2006 | Cavness | | D11/157 |
| D528,038 S * | 9/2006 | Cavness | | D11/157 |
| D528,941 S * | 9/2006 | Cavness | | D11/157 |

* cited by examiner

Primary Examiner—Robert M. Spear

Assistant Examiner—George D Kirschbaum

(74) *Attorney, Agent, or Firm*—John G. Fischer; Storm LLP

(57) **CLAIM**

The ornamental design for question mark sculpture, as shown and described.

DESCRIPTION

FIG. 1 is an front thereof;

FIG. 2 is plan view rotated 45° counter-clockwise from FIG. 1 thereof;

FIG. 3 is plan view rotated 45° counter-clockwise from FIG. 2 thereof;

FIG. 4 is plan view rotated 45° counter-clockwise from FIG. 3 thereof;

FIG. 5 is plan view rotated 45° counter-clockwise from FIG. 4 thereof;

FIG. 6 is plan view rotated 45° counter-clockwise from FIG. 5 thereof;

FIG. 7 is plan view rotated 45° counter-clockwise from FIG. 6 thereof;

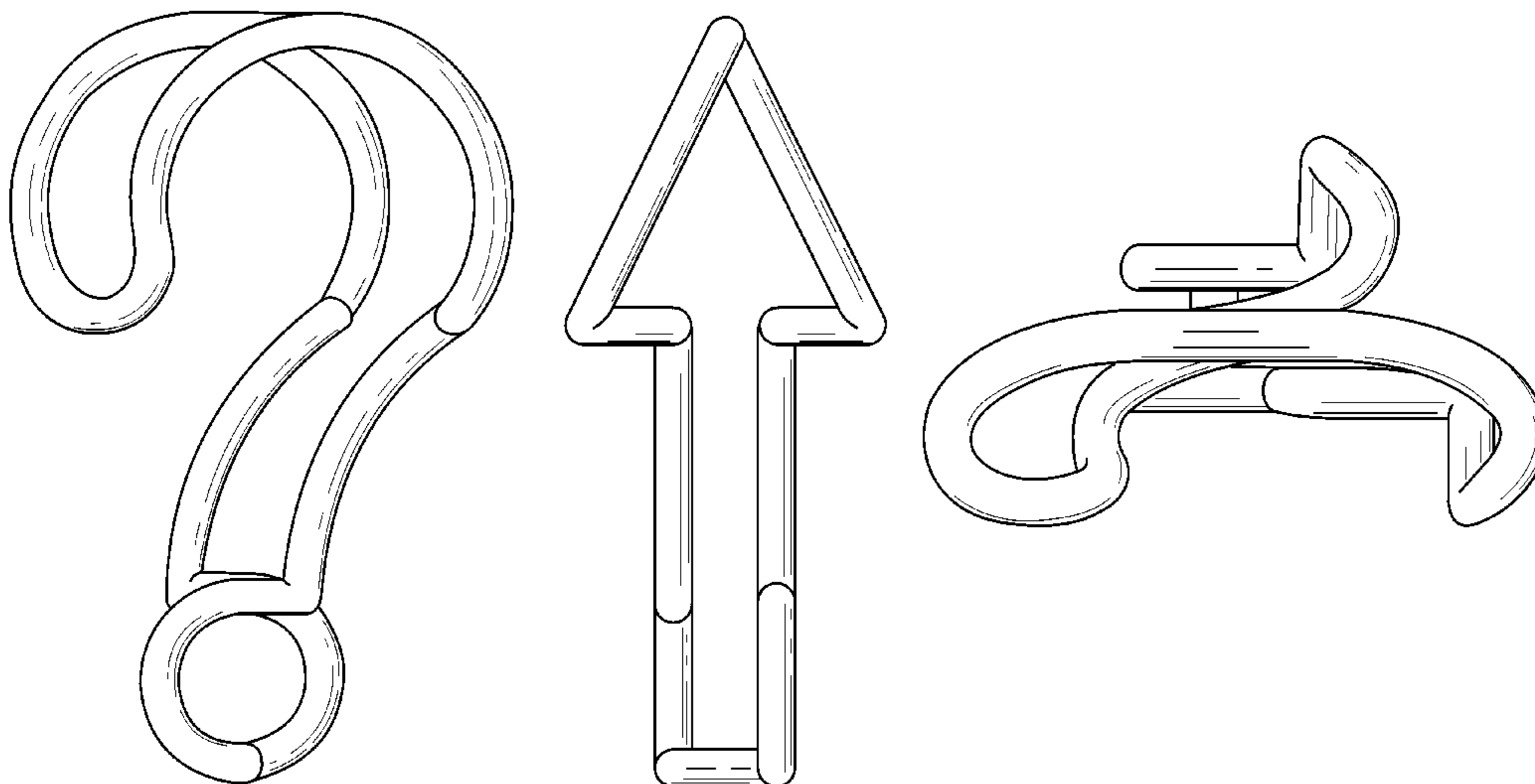
FIG. 8 is plan view rotated 45° counter-clockwise from FIG. 7 thereof;

FIG. 9 is a top view thereof; and,

FIG. 10 is a bottom view thereof.

It will be understood that dashed lines presented in the drawings are for illustration only, and do not form part of the claimed design.

1 Claim, 10 Drawing Sheets



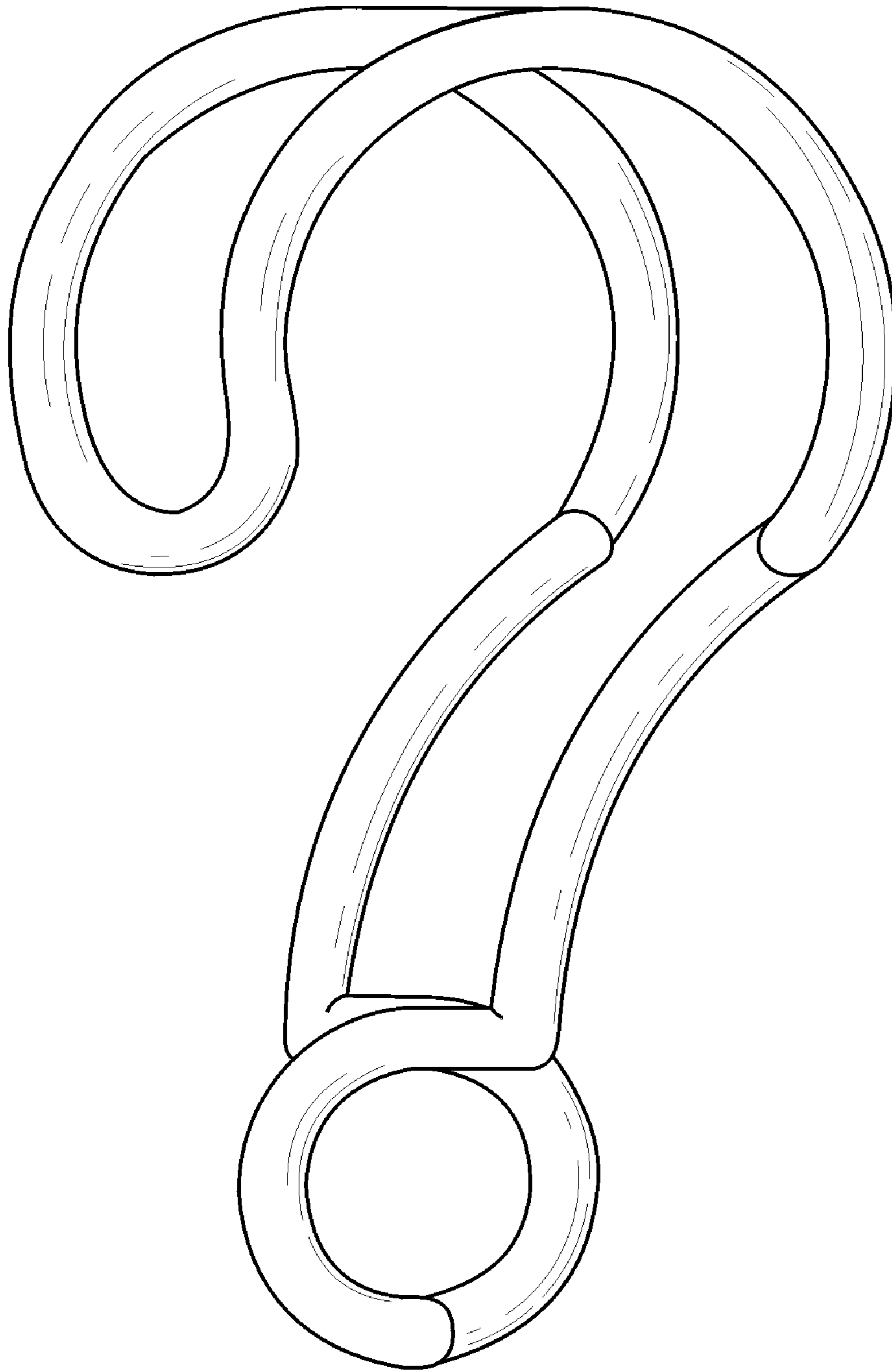


FIG. 1

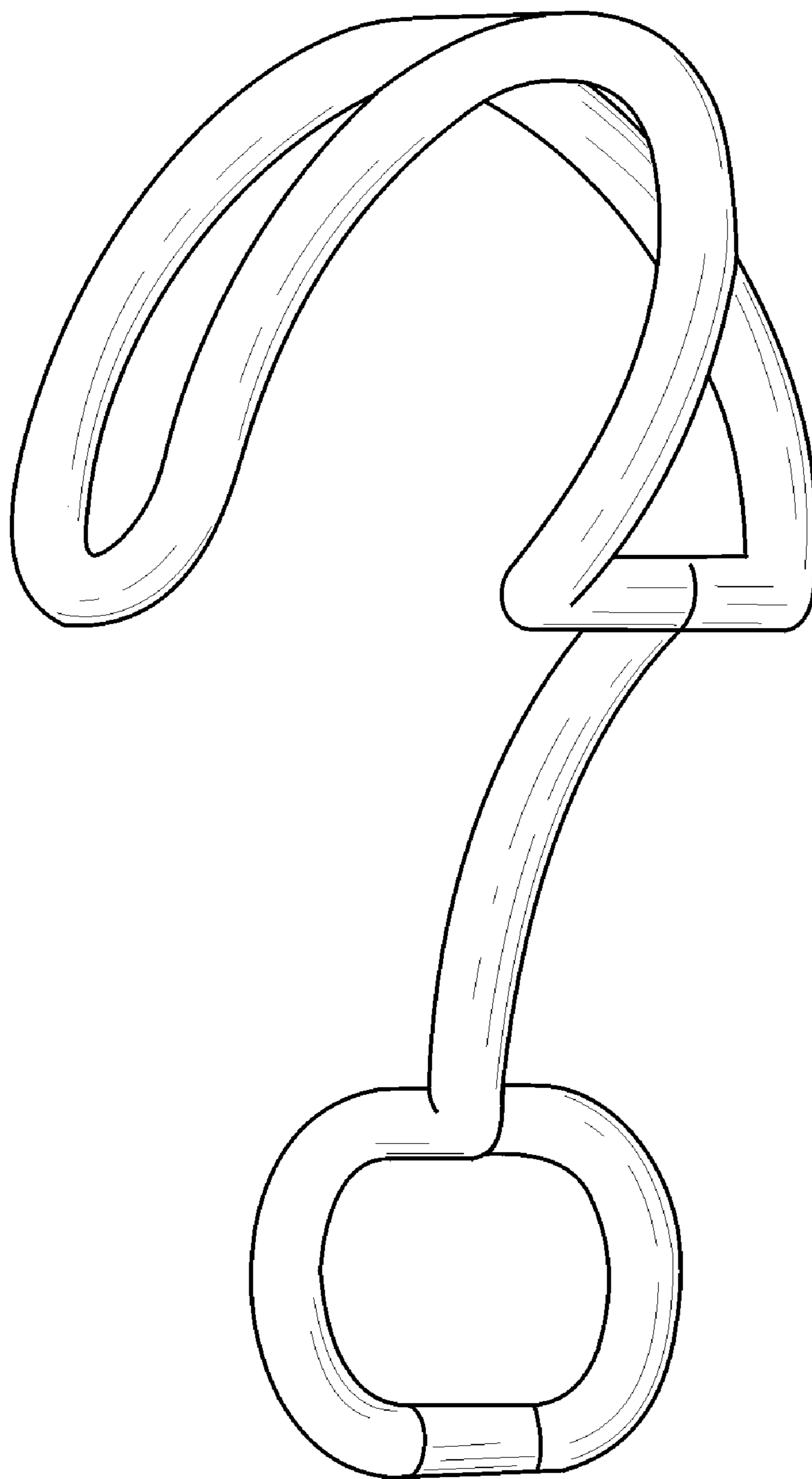


FIG. 2

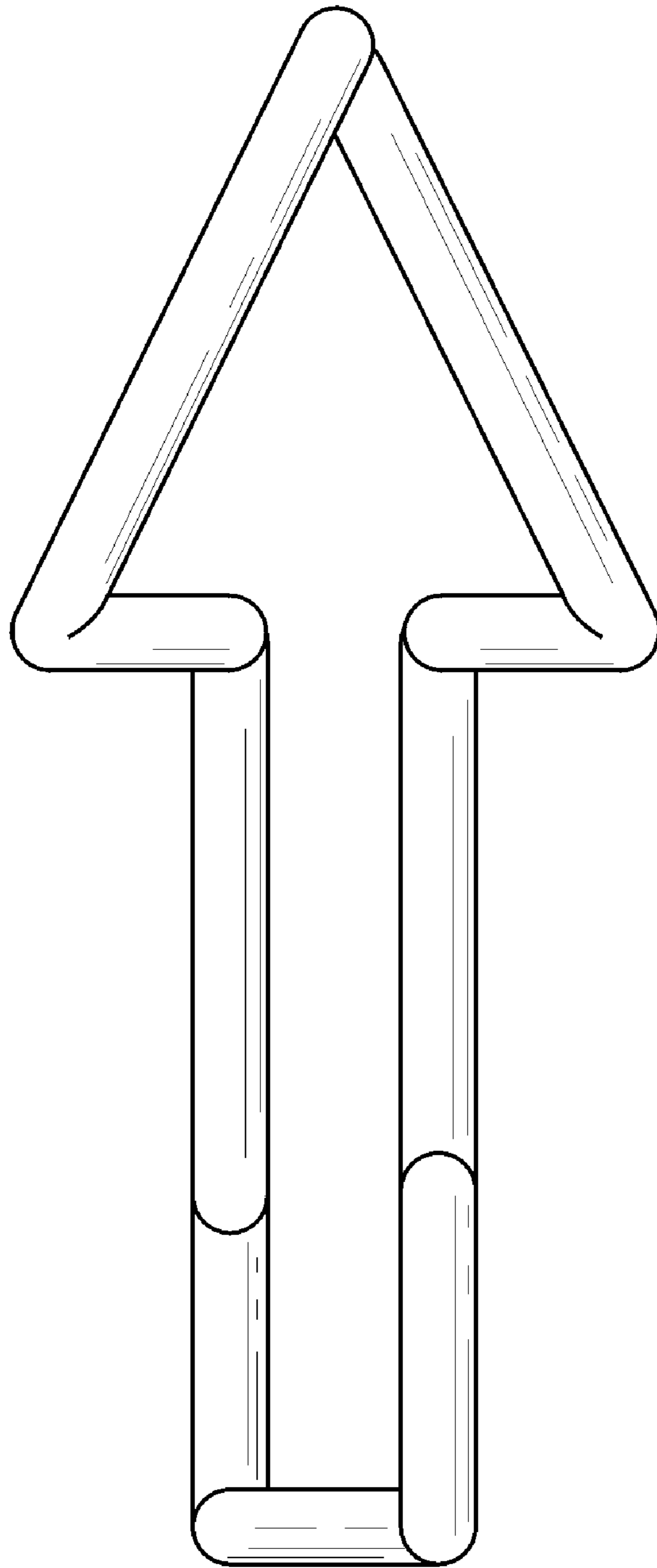


FIG. 3

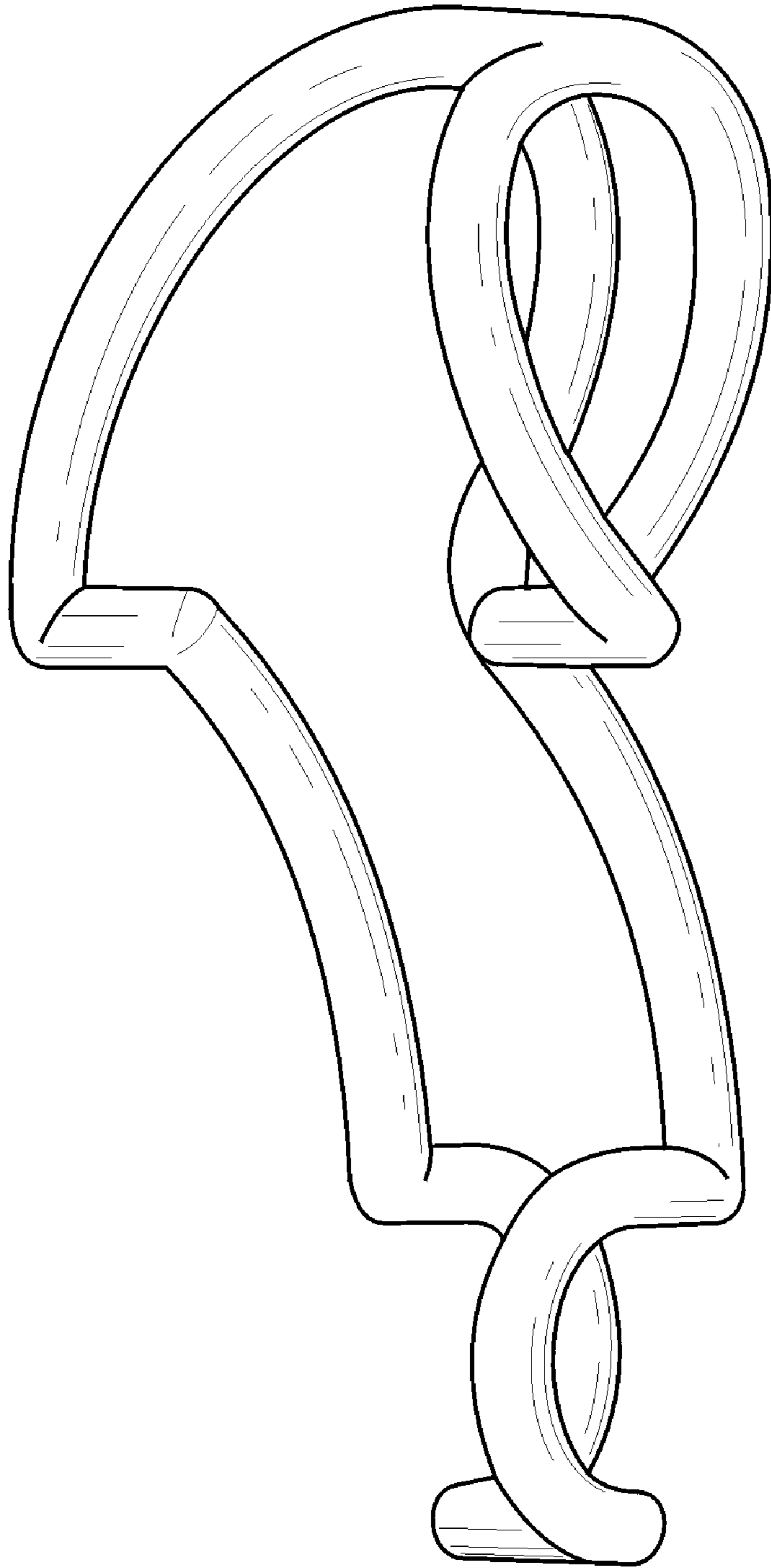


FIG. 4

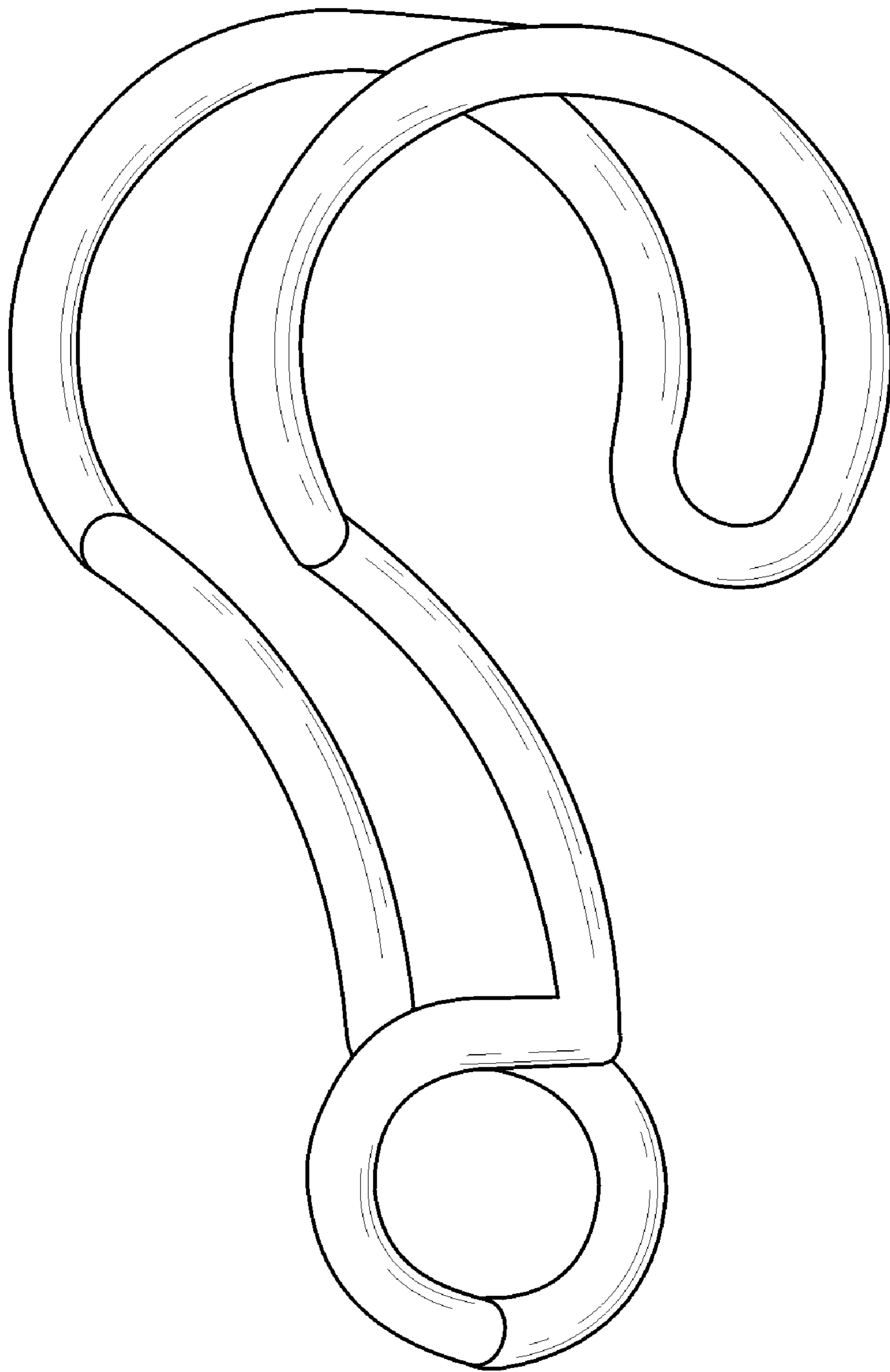


FIG. 5

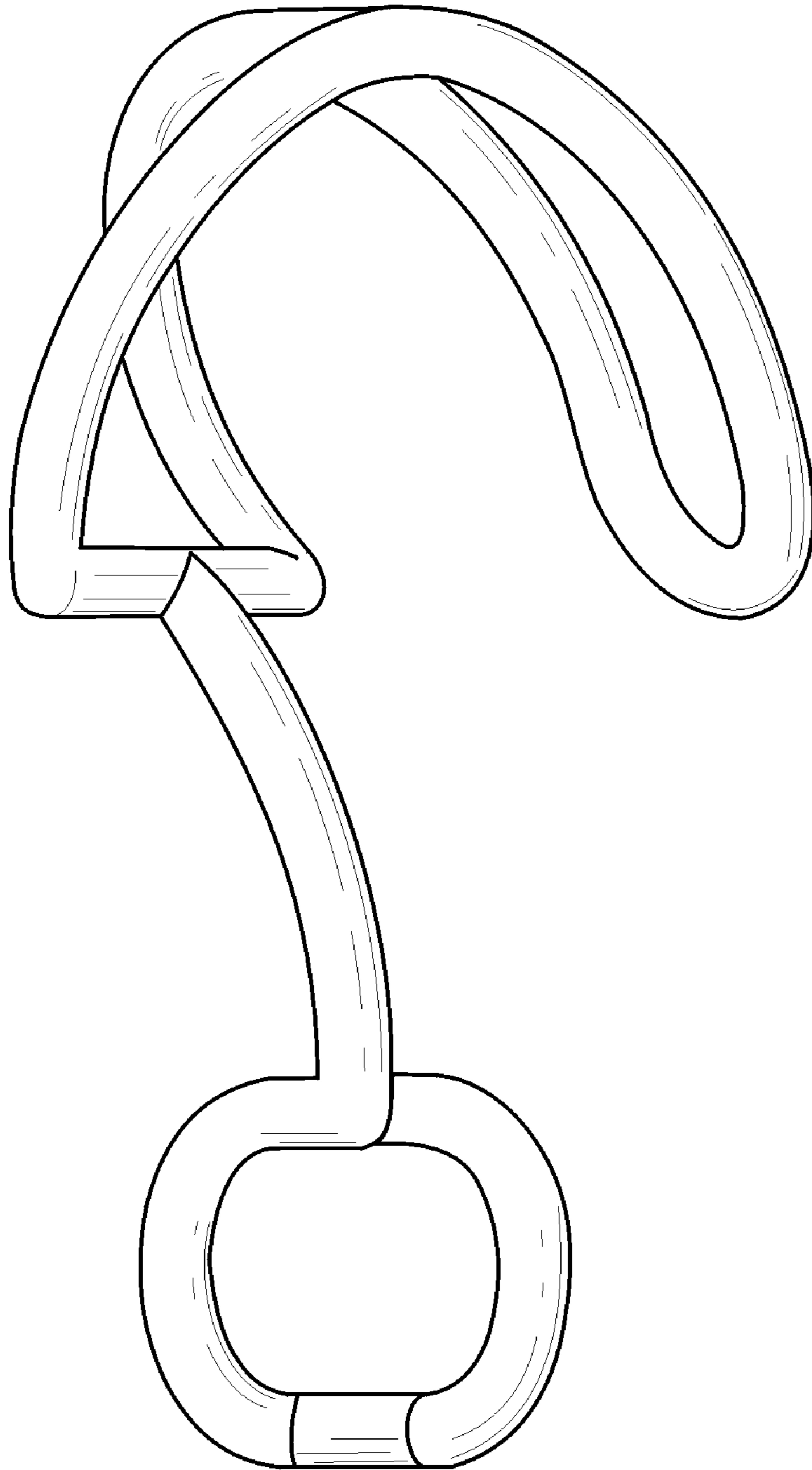


FIG. 6

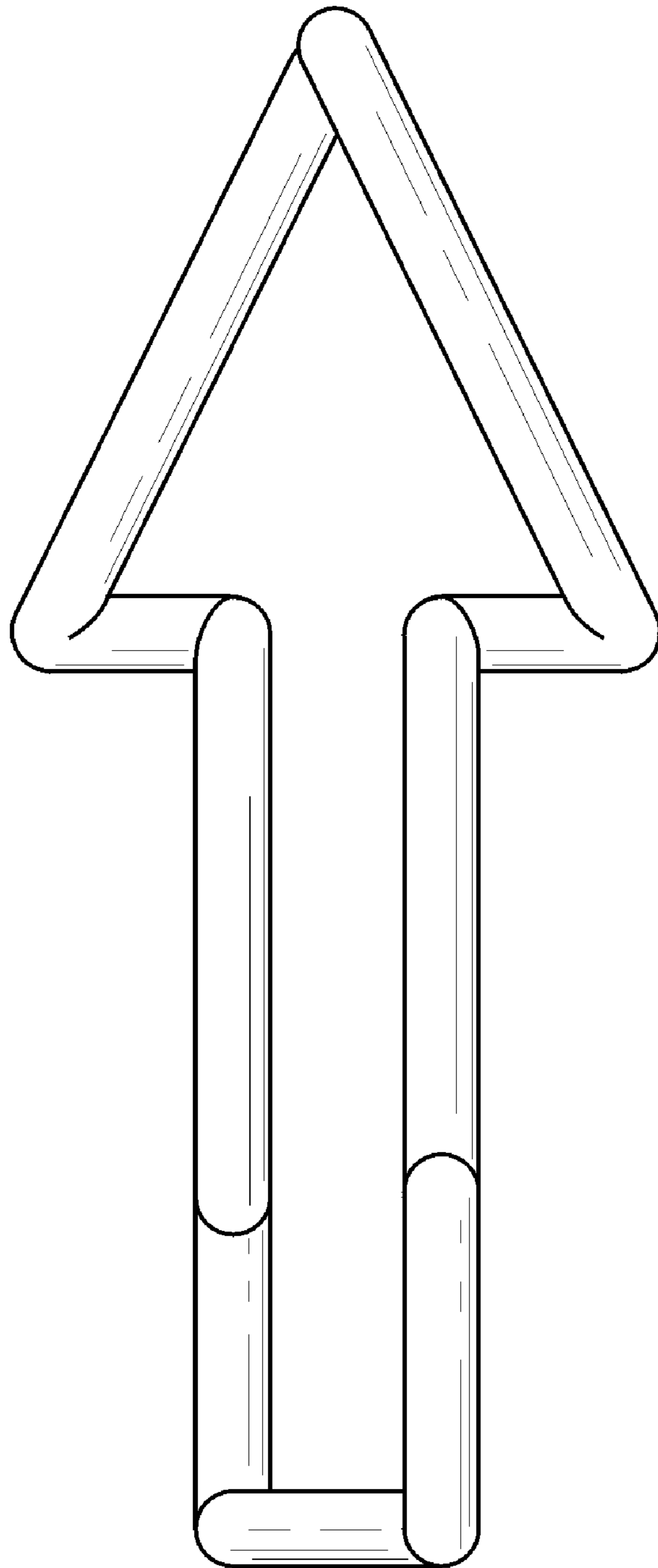


FIG. 7

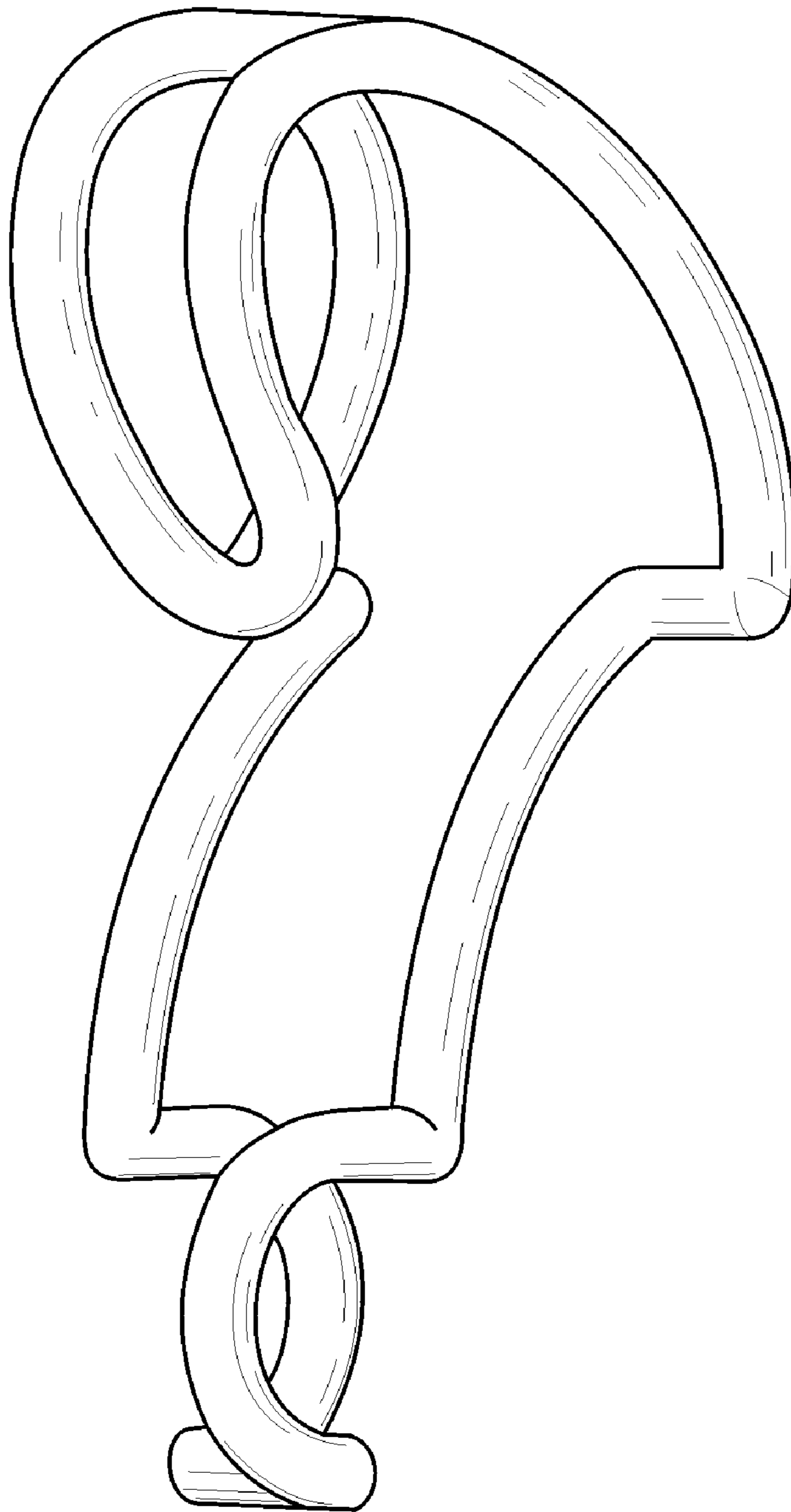


FIG. 8

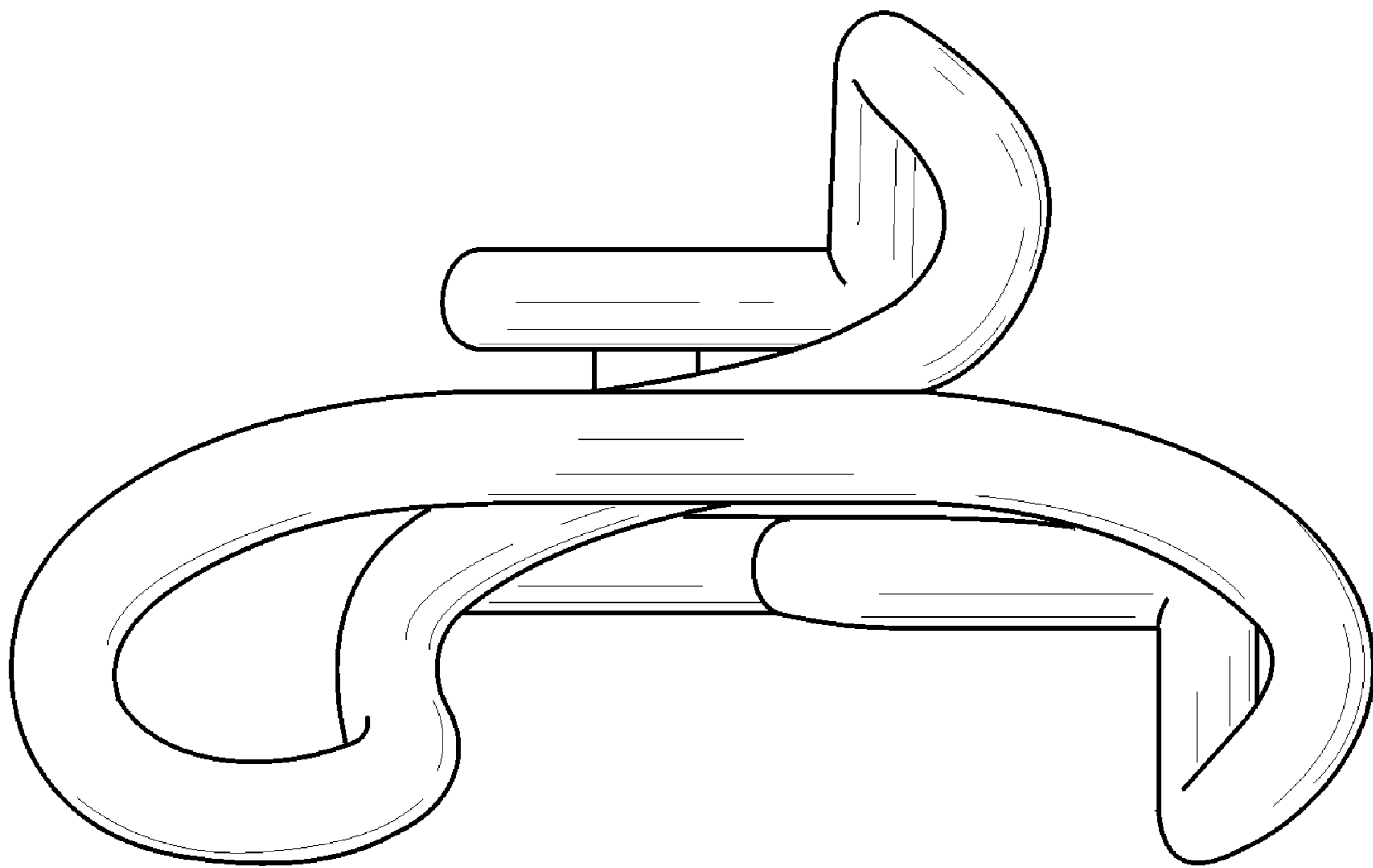


FIG. 9

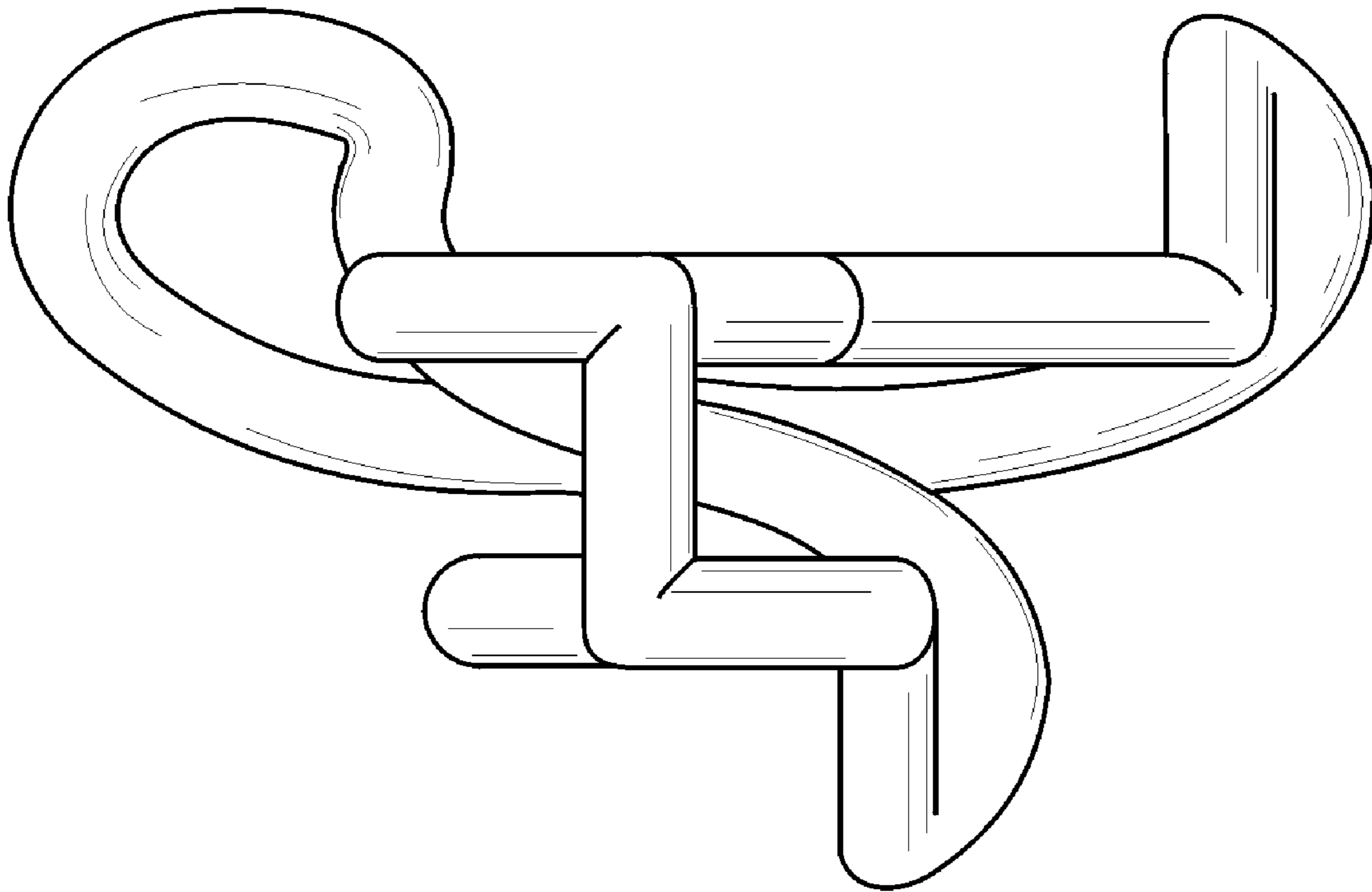


FIG. 10