



US00D571249S

(12) **United States Design Patent**
Frederick et al.

(10) **Patent No.: US D571,249 S**
(45) **Date of Patent: ** Jun. 17, 2008**

(54) **MONITORING BRACELET**

(57) **CLAIM**

(76) Inventors: **Walter H. Frederick**, 25070 State Route 313, Quaker City, OH (US) 43773; **Christina M. Miller**, 870 S. Hametown Rd., Copley, OH (US) 44321

The ornamental design for a monitoring bracelet, as shown and described.

(**) Term: **14 Years**

DESCRIPTION

(21) Appl. No.: **29/288,587**

FIG. 1 is a first perspective view of a monitoring bracelet with a key inserted;

(22) Filed: **Jun. 15, 2007**

FIG. 2 is a second perspective view of a monitoring bracelet according to FIG. 1;

(51) **LOC (8) Cl.** **11-01**

FIG. 3 is a top plan view thereof according to FIG. 1 with a key inserted;

(52) **U.S. Cl.** **D11/4; D10/104; D10/32**

FIG. 4 is a bottom plan view thereof according to FIG. 1 with a key inserted;

(58) **Field of Classification Search** D11/1-25, D11/32, 93, 94; 59/78, 79.2; 63/1.11, 3, 63/3.1, 3.2, 5.1, 5.2, 7-11; 224/175; D10/32, D10/104

FIG. 5 is a side view with a key inserted according to FIG. 1;

See application file for complete search history.

FIG. 6 is a second side view with a key inserted according to FIG. 1;

(56) **References Cited**

U.S. PATENT DOCUMENTS

D273,009 S *	3/1984	Isaacs	D11/2
D279,671 S *	7/1985	Stanton	D11/2
D503,647 S *	4/2005	Fishman et al.	D11/4
D524,678 S *	7/2006	Fishman et al.	D11/2
D535,205 S *	1/2007	Frederick et al.	D10/32
D556,194 S *	11/2007	Rambosek et al.	D11/2
D558,198 S *	12/2007	Blankenship et al.	D11/2

FIG. 7 is a partial side view according to FIG. 5;

FIG. 8 is a partial side view according to FIG. 6;

FIG. 9 is a perspective view of a monitoring bracelet with the key removed for ease of illustration;

FIG. 10 is a top plan view thereof according to FIG. 9;

FIG. 11 is a bottom plan view thereof according to FIG. 9;

FIG. 12 is a side view according to FIG. 9;

FIG. 13 is a second side view according to FIG. 9;

FIG. 14 is a first side view according to FIG. 12; and,

FIG. 15 is a second side view according to FIG. 13.

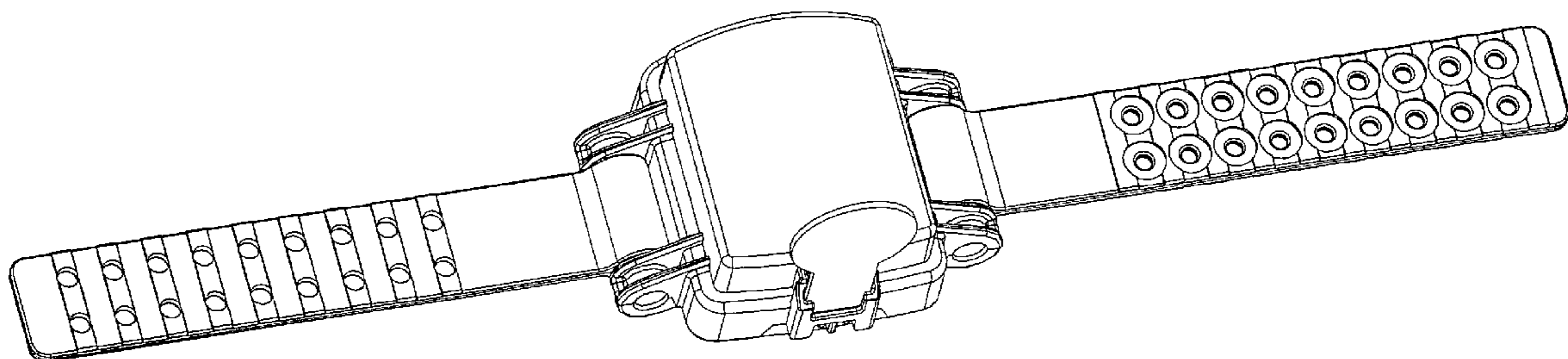
* cited by examiner

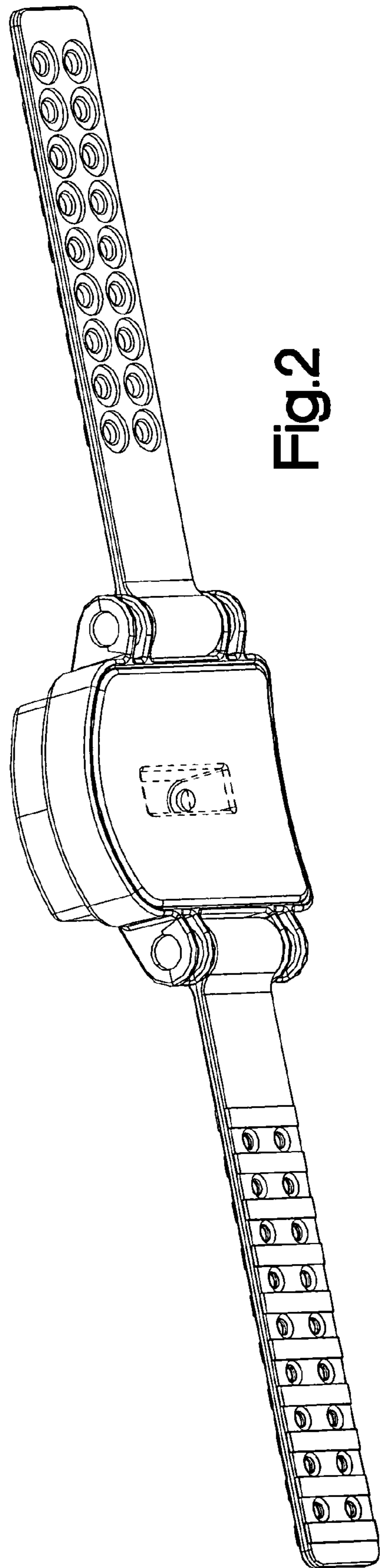
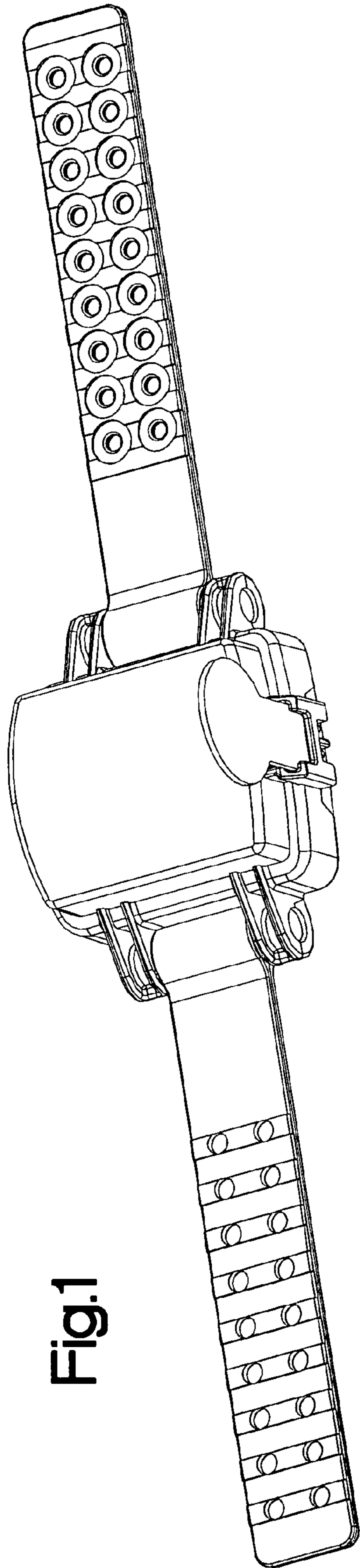
Primary Examiner—Cathron Brooks

Assistant Examiner—Michael A. Pratt

(74) *Attorney, Agent, or Firm*—Forrest L. Collins Law Offices, LLC; Forrest L. Collins

1 Claim, 6 Drawing Sheets





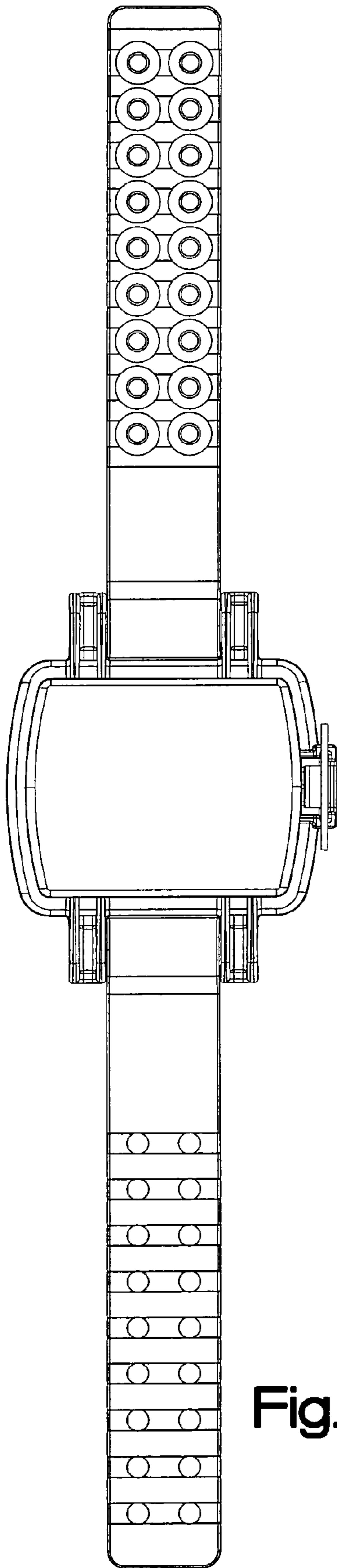


Fig.3

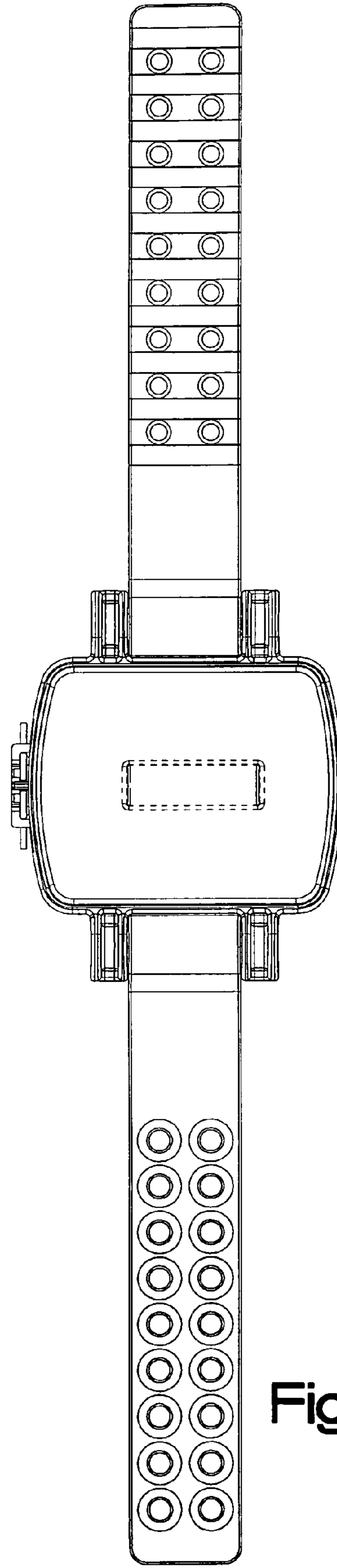


Fig.4

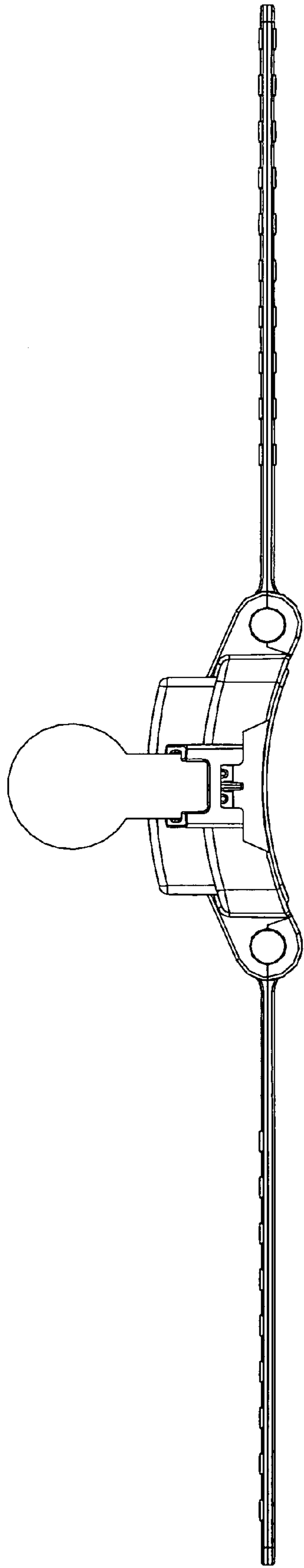


Fig.5

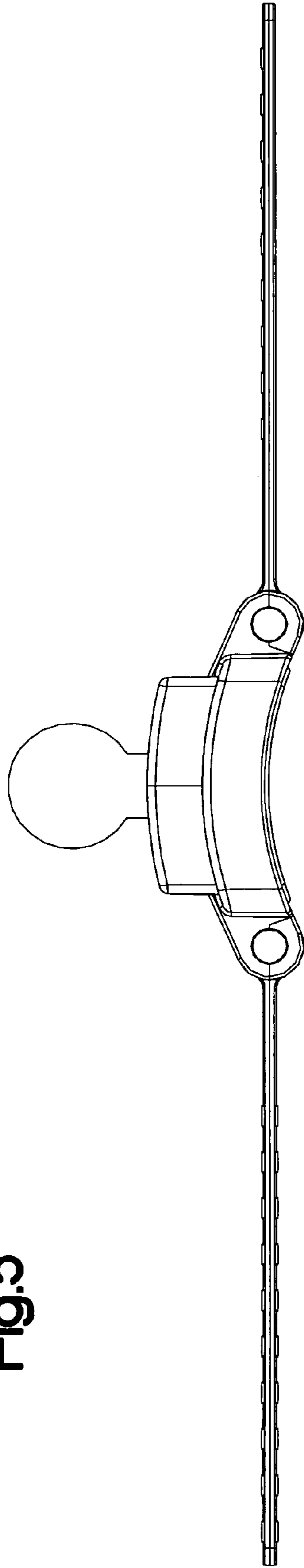


Fig.6

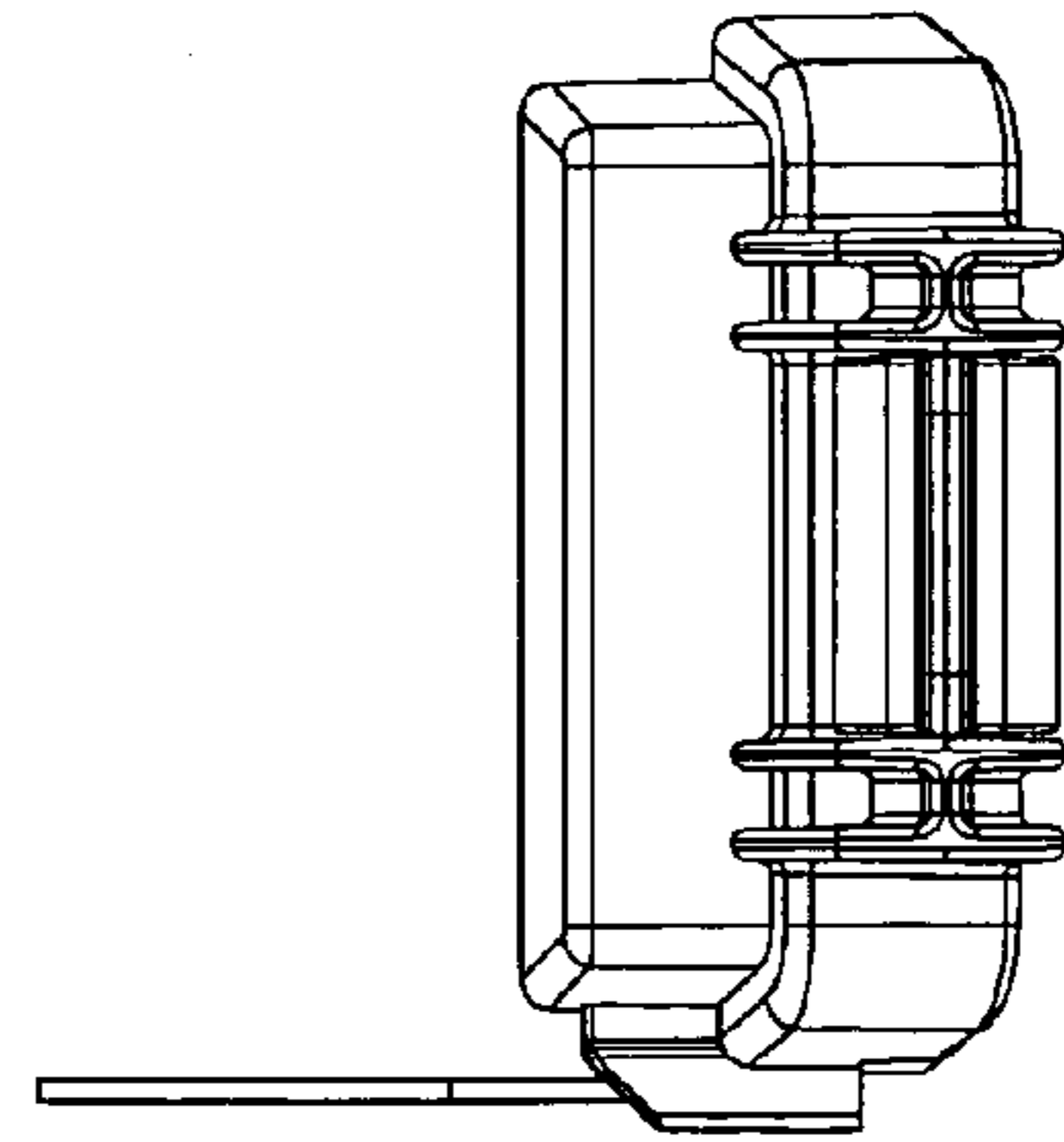


Fig.8

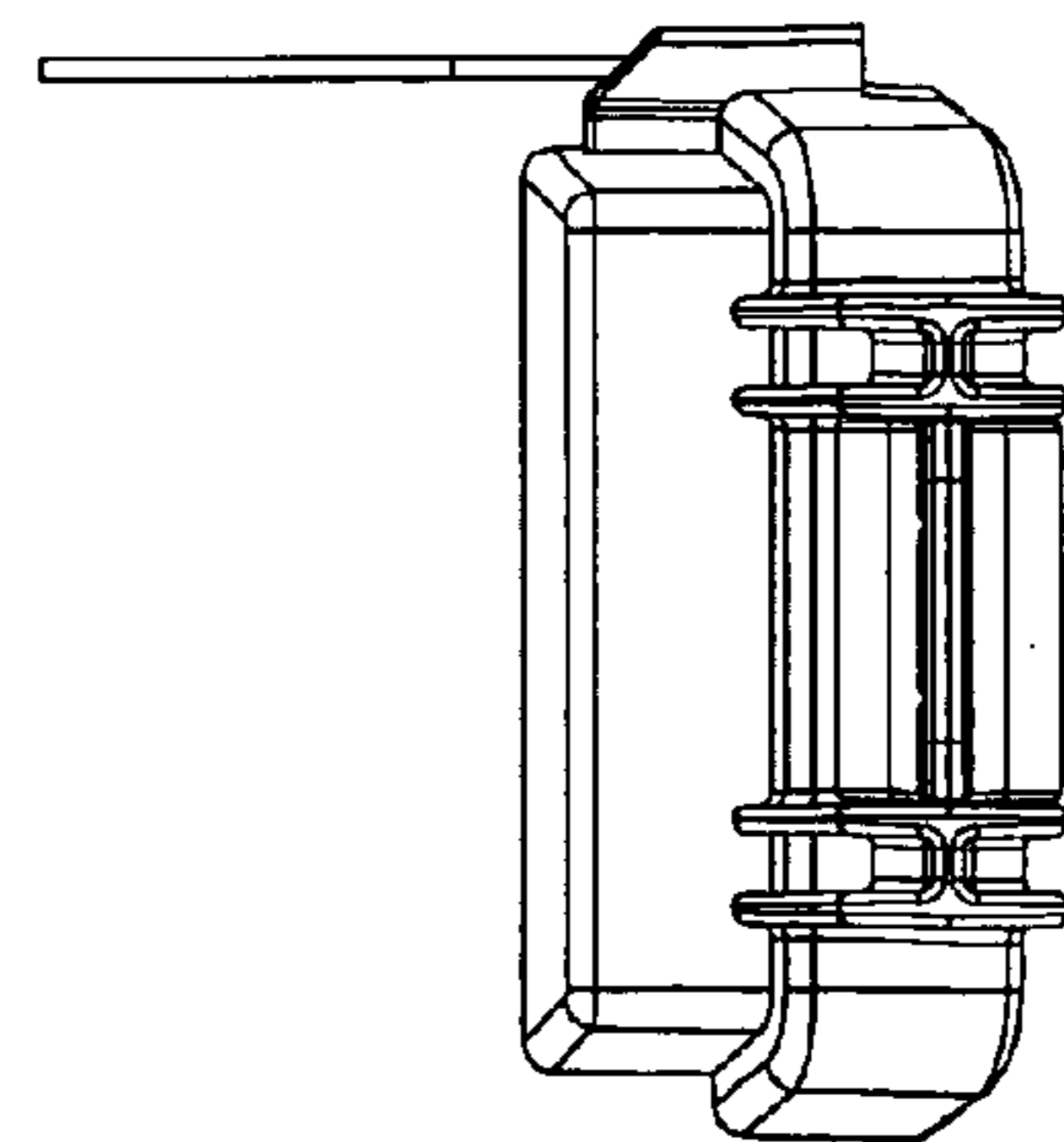


Fig.7

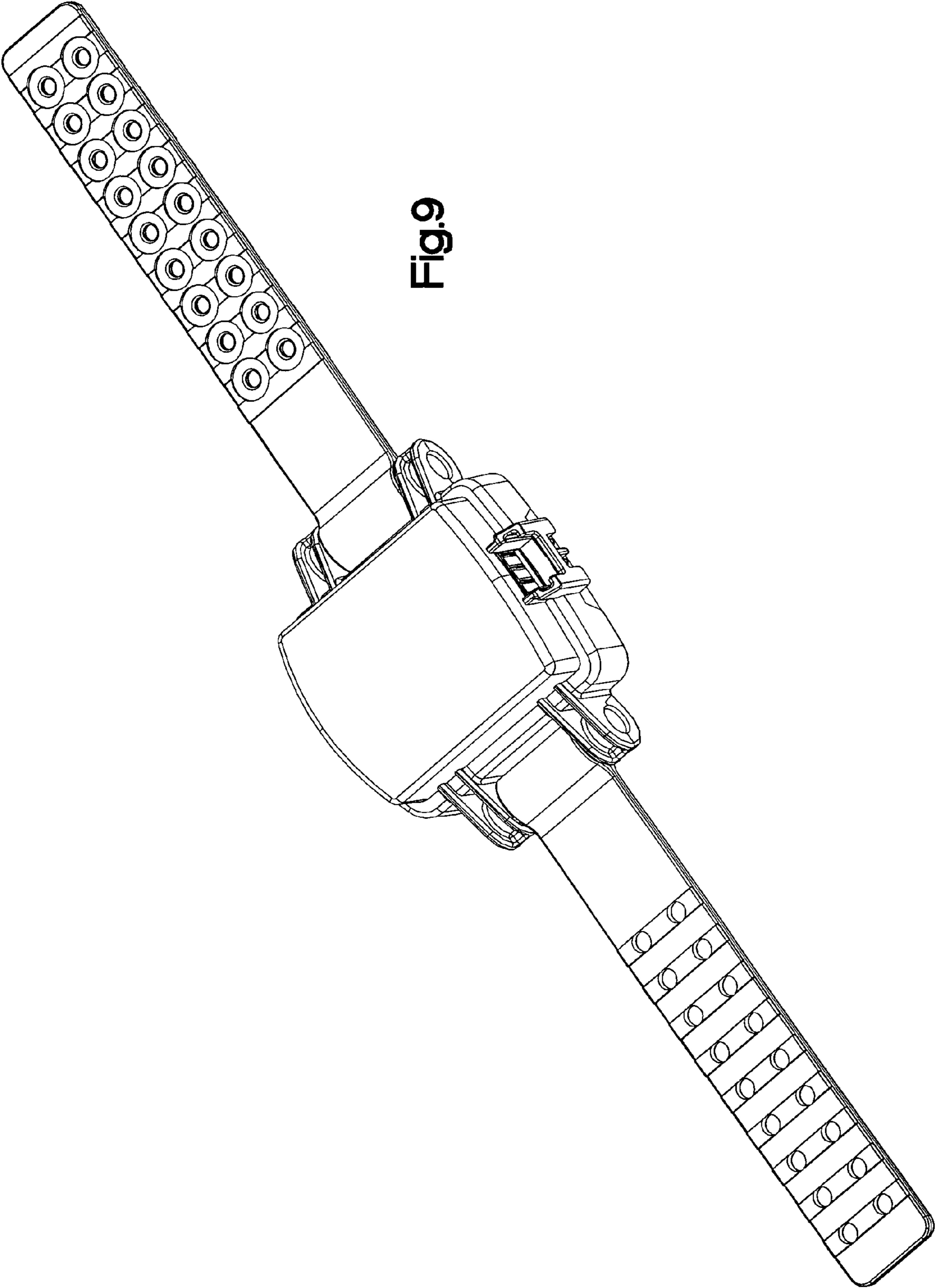


Fig.9

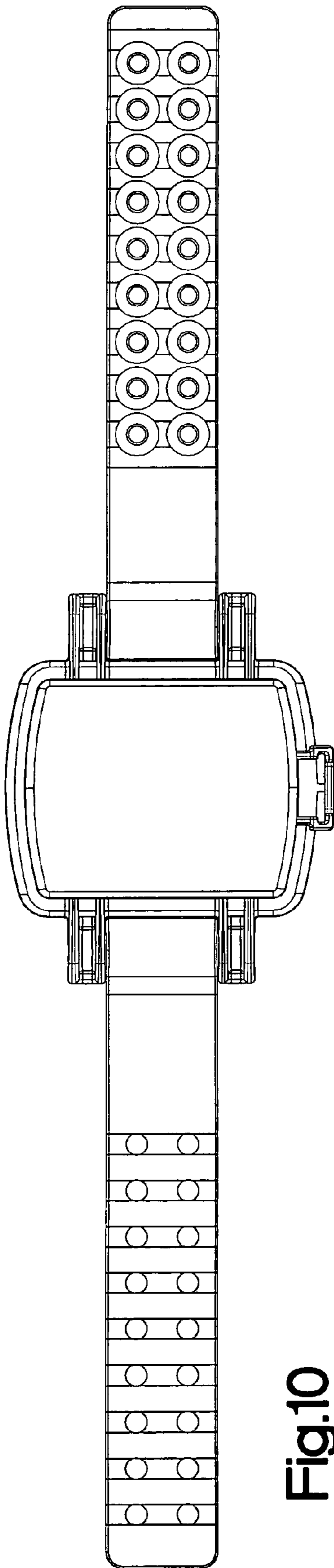


Fig.10

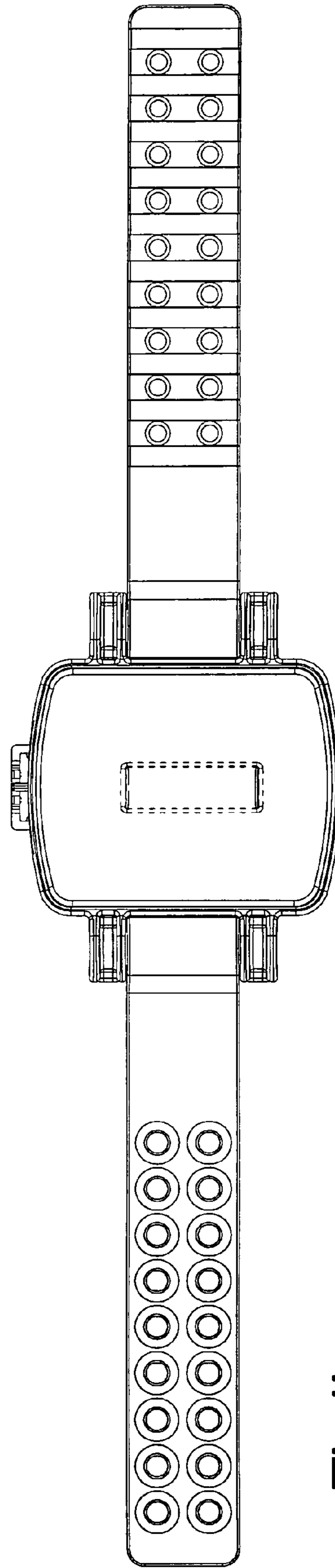


Fig.11

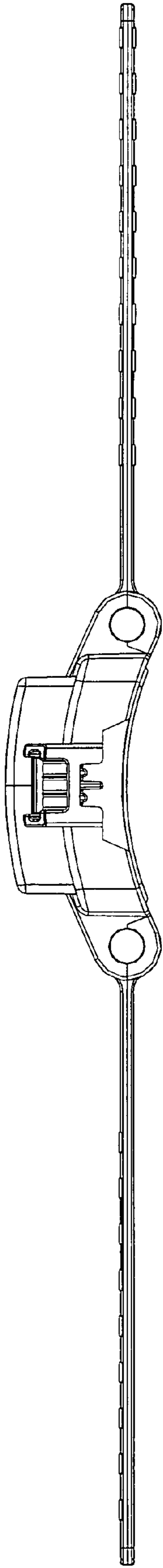


Fig.12

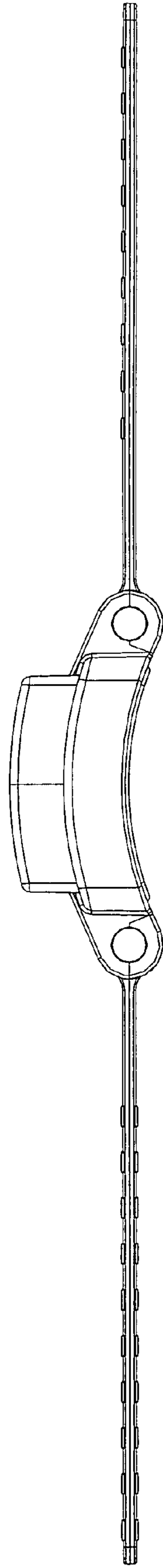


Fig.13

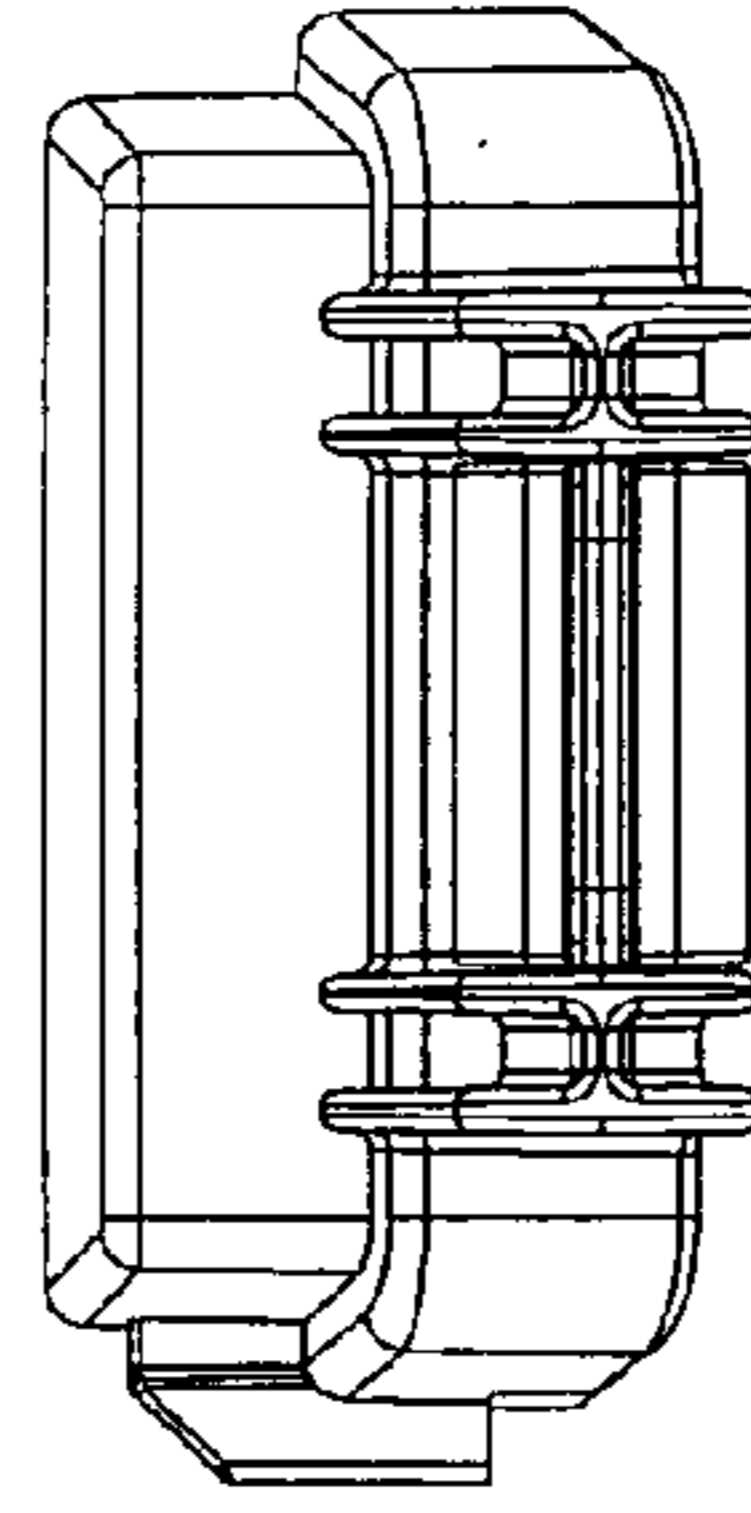


Fig.14

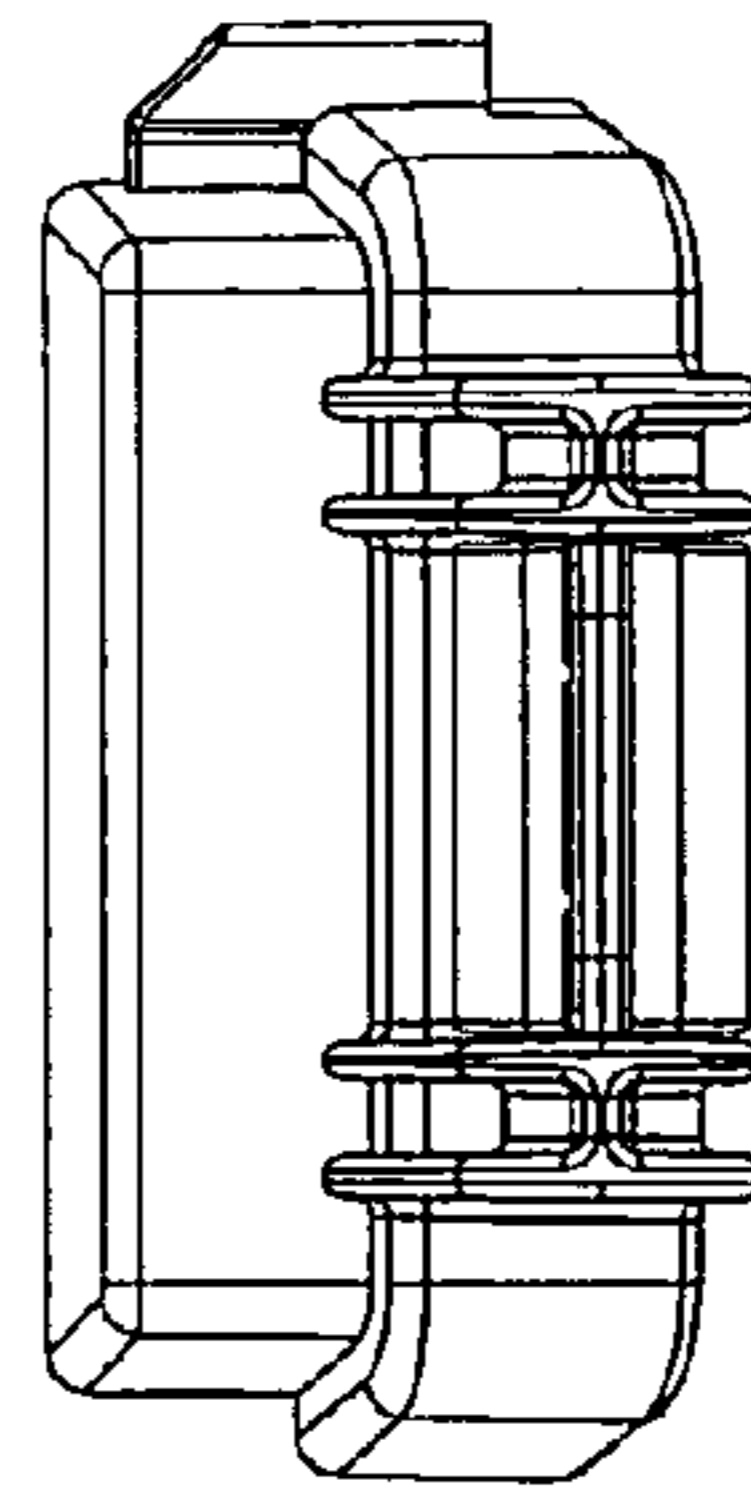


Fig.15