



US00D571248S

(12) **United States Design Patent**  
**Gruosi**

(10) **Patent No.:** **US D571,248 S**

(45) **Date of Patent:** **\*\* Jun. 17, 2008**

(54) **WATCH DIAL**

(76) **Inventor:** **Fawaz Gruosi**, Chemin de Trembley  
30, Prangins (CH) 1197

(\*\*) **Term:** **14 Years**

(21) **Appl. No.:** **29/239,349**

(22) **Filed:** **Sep. 29, 2005**

(30) **Foreign Application Priority Data**

Mar. 30, 2005 (CH) ..... 131710

(51) **LOC (8) Cl.** ..... **10-07**

(52) **U.S. Cl.** ..... **D10/125**

(58) **Field of Classification Search** ..... D10/123-126,  
D10/129, 30-39; 368/223, 228, 229, 231,  
368/232, 233, 234, 235, 285, 276, 281-283,  
368/318

See application file for complete search history.

(56) **References Cited**

**U.S. PATENT DOCUMENTS**

- D278,687 S \* 5/1985 Giugiaro ..... D10/39
- D278,688 S \* 5/1985 Giugiaro ..... D10/39
- D320,946 S \* 10/1991 Crocco ..... D10/32
- D420,921 S \* 2/2000 Clerc ..... D10/32

- D470,776 S \* 2/2003 Blondin ..... D10/30
- D473,803 S \* 4/2003 d'Origny ..... D10/39
- D479,135 S \* 9/2003 Emmenegger ..... D10/30
- D494,874 S \* 8/2004 Jorgensen ..... D10/32
- D513,710 S \* 1/2006 Nataf ..... D10/126
- D517,927 S \* 3/2006 Enomoto et al. .... D10/32
- D526,923 S \* 8/2006 Okaya ..... D10/126
- D533,090 S \* 12/2006 Bajulaz ..... D10/39

\* cited by examiner

*Primary Examiner*—Lucy Lieberman

(74) *Attorney, Agent, or Firm*—Venable, Campillo, Logan & Meaney PC

(57) **CLAIM**

The ornamental design for a watch dial, as shown and described.

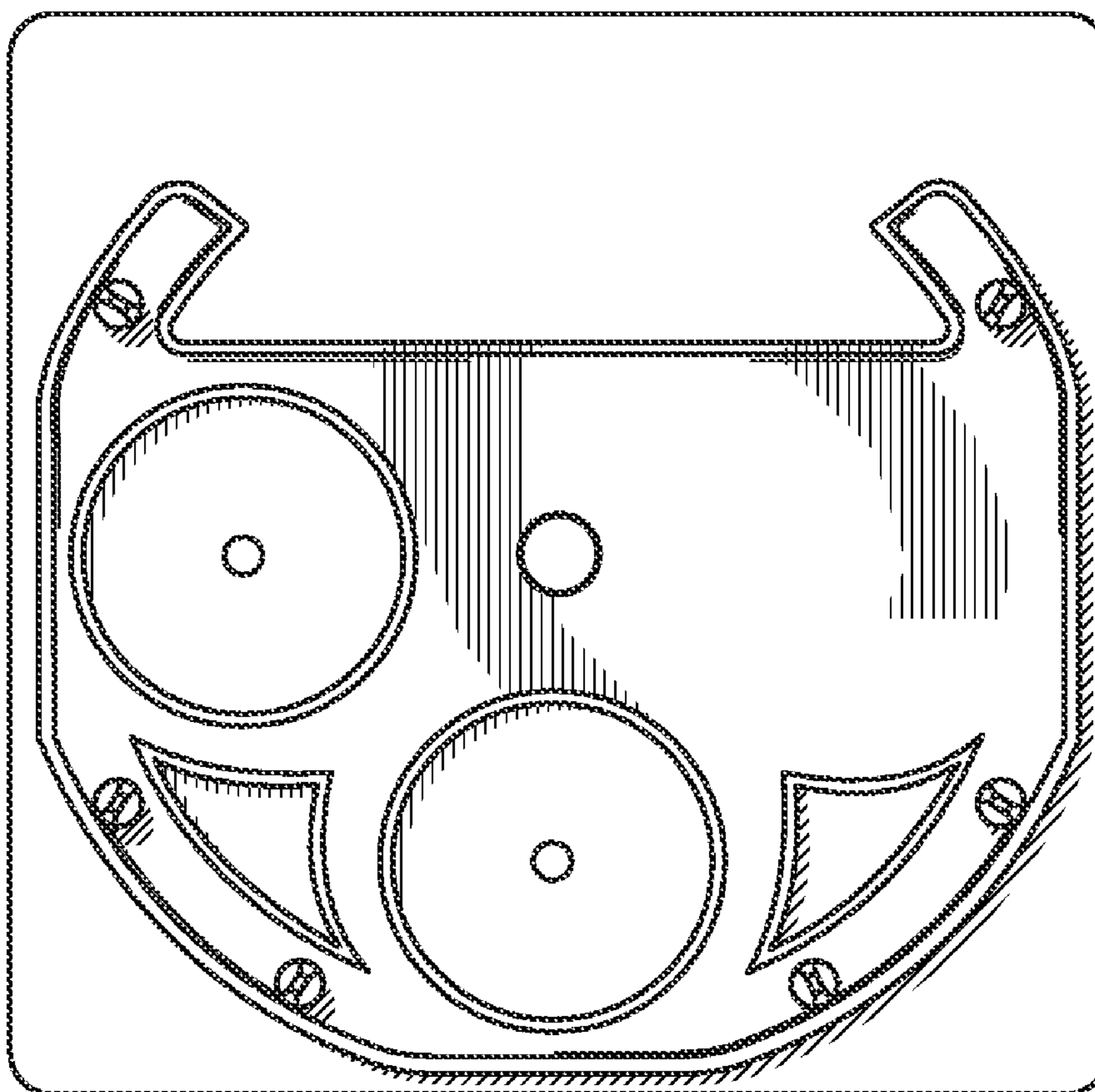
**DESCRIPTION**

FIG. 1 is a top plan view of a watch dial showing my new design; and,

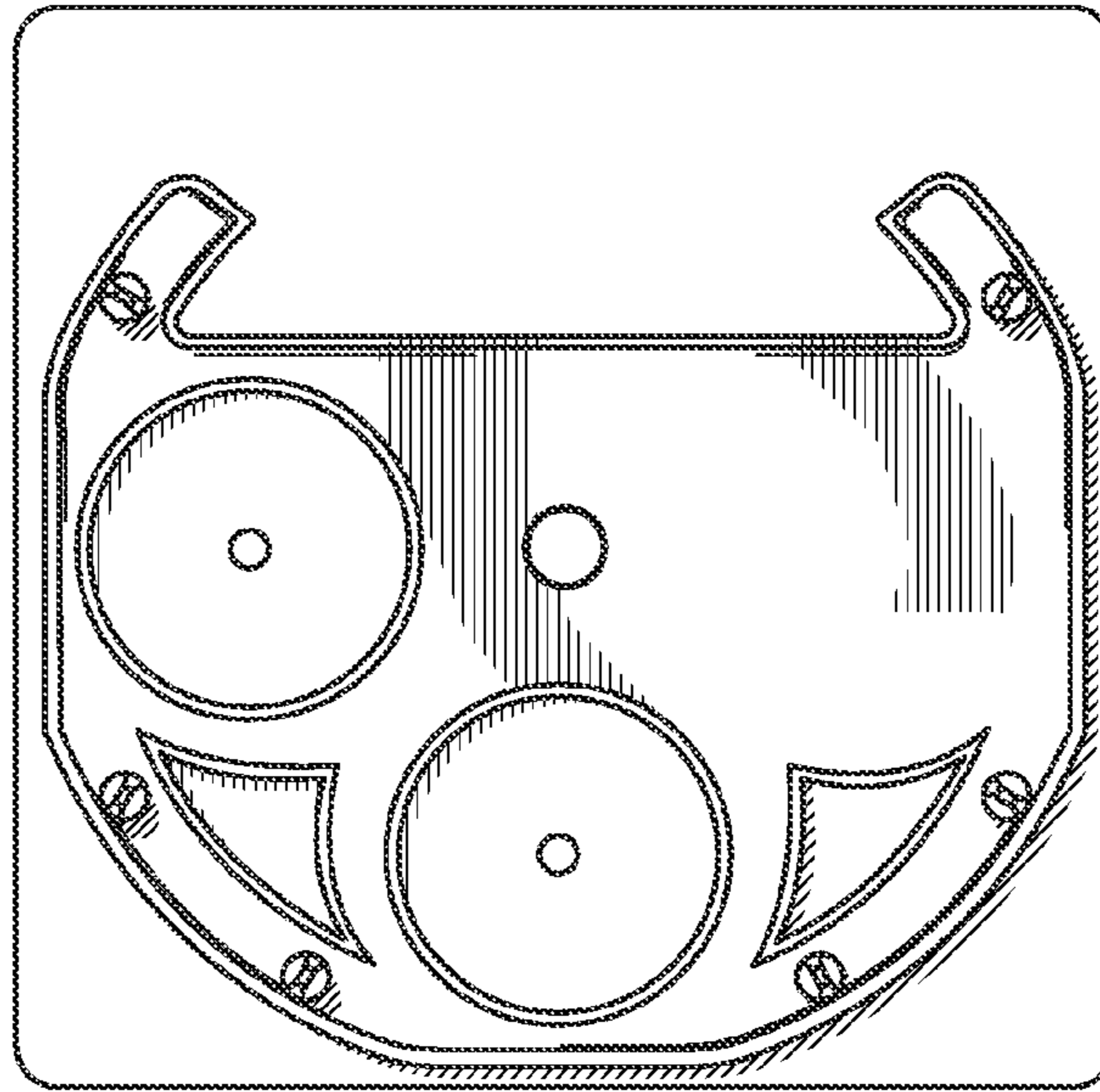
FIG. 2 is a perspective view of the watch dial showing my new design as used in a watch.

The broken lines shown in FIG. 2 are for illustrative purposes only and do not form part of the claimed design.

**1 Claim, 1 Drawing Sheet**



*Fig. 1*



*Fig. 2*

