



US00D571247S

(12) **United States Design Patent**
Barnett

(10) **Patent No.:** **US D571,247 S**

(45) **Date of Patent:** **** Jun. 17, 2008**

(54) **WARNING LAMP**

(75) Inventor: **Thomas J. Barnett**, Powell, OH (US)

(73) Assignee: **Weldon Technologies, Inc.**, Columbus, OH (US)

(**) Term: **14 Years**

(21) Appl. No.: **29/279,624**

(22) Filed: **May 4, 2007**

(51) **LOC (8) Cl.** **10-05**

(52) **U.S. Cl.** **D10/114**

(58) **Field of Classification Search** D10/109,
D10/111, 114; 340/815, 432, 908.1, 815.03,
340/760, 761, 767, 782, 471, 473, 463, 815.45;
362/311, 459, 460, 461, 462, 463, 465, 35,
362/102, 186, 183, 200, 196, 191; D26/28,
D26/60

See application file for complete search history.

(56) **References Cited**

U.S. PATENT DOCUMENTS

- D347,484 S * 5/1994 Tsushi D26/36
- D375,180 S * 10/1996 Lyons D26/28
- D410,758 S * 6/1999 Reinbach D26/28
- D436,194 S * 1/2001 Reinbach D26/28

- D441,678 S * 5/2001 Lyons D10/114
- D531,332 S * 10/2006 Duvall et al. D26/28
- D541,449 S * 4/2007 Rogers D26/28
- D551,363 S * 9/2007 Rogers et al. D26/28
- 2003/0132852 A1* 7/2003 Povey et al. 340/815.45

* cited by examiner

Primary Examiner—Robert M. Spear

Assistant Examiner—George D Kirschbaum

(74) *Attorney, Agent, or Firm*—James R. Eley; Michael A. Forhan; Eley Law Firm Co.

(57) **CLAIM**

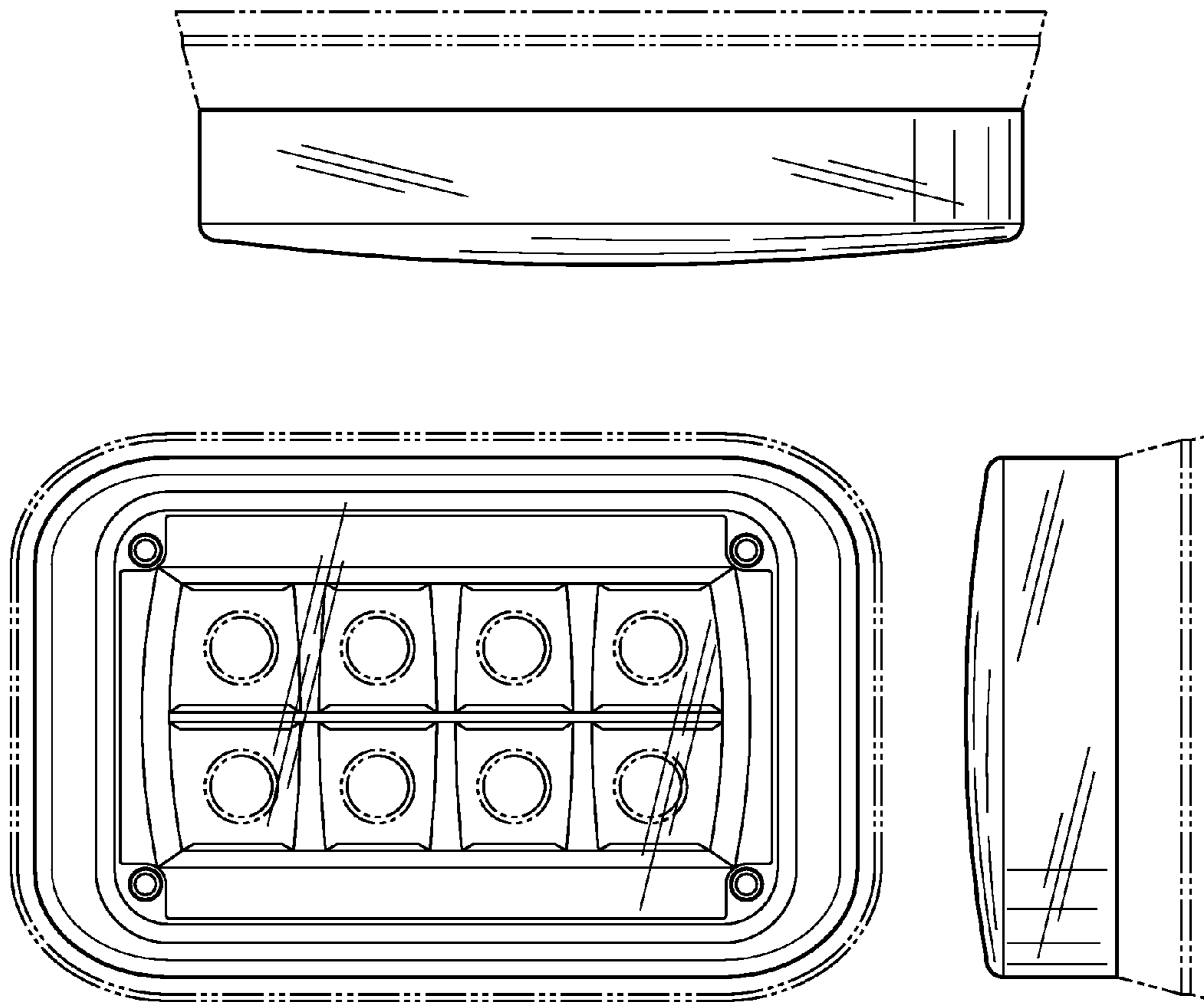
The ornamental design for a warning lamp, as shown and described.

DESCRIPTION

FIG. 1 is a top plan view of a warning lamp showing my new design, the bottom plan view being a mirror image thereof; FIG. 2 is a front elevational view thereof; FIG. 3 is a right side elevational view thereof, the left side being a mirror image thereof; and, FIG. 4 is a rear elevation view thereof.

The broken lines are for illustrative purposes only and form no part of the claimed design.

1 Claim, 1 Drawing Sheet



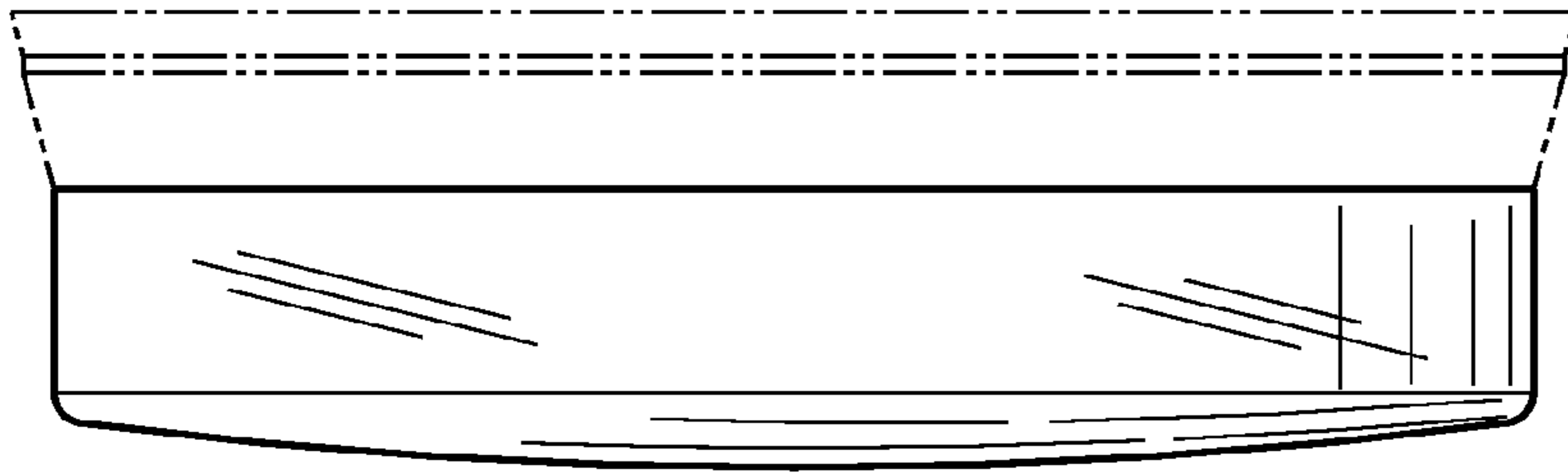


Fig. 1

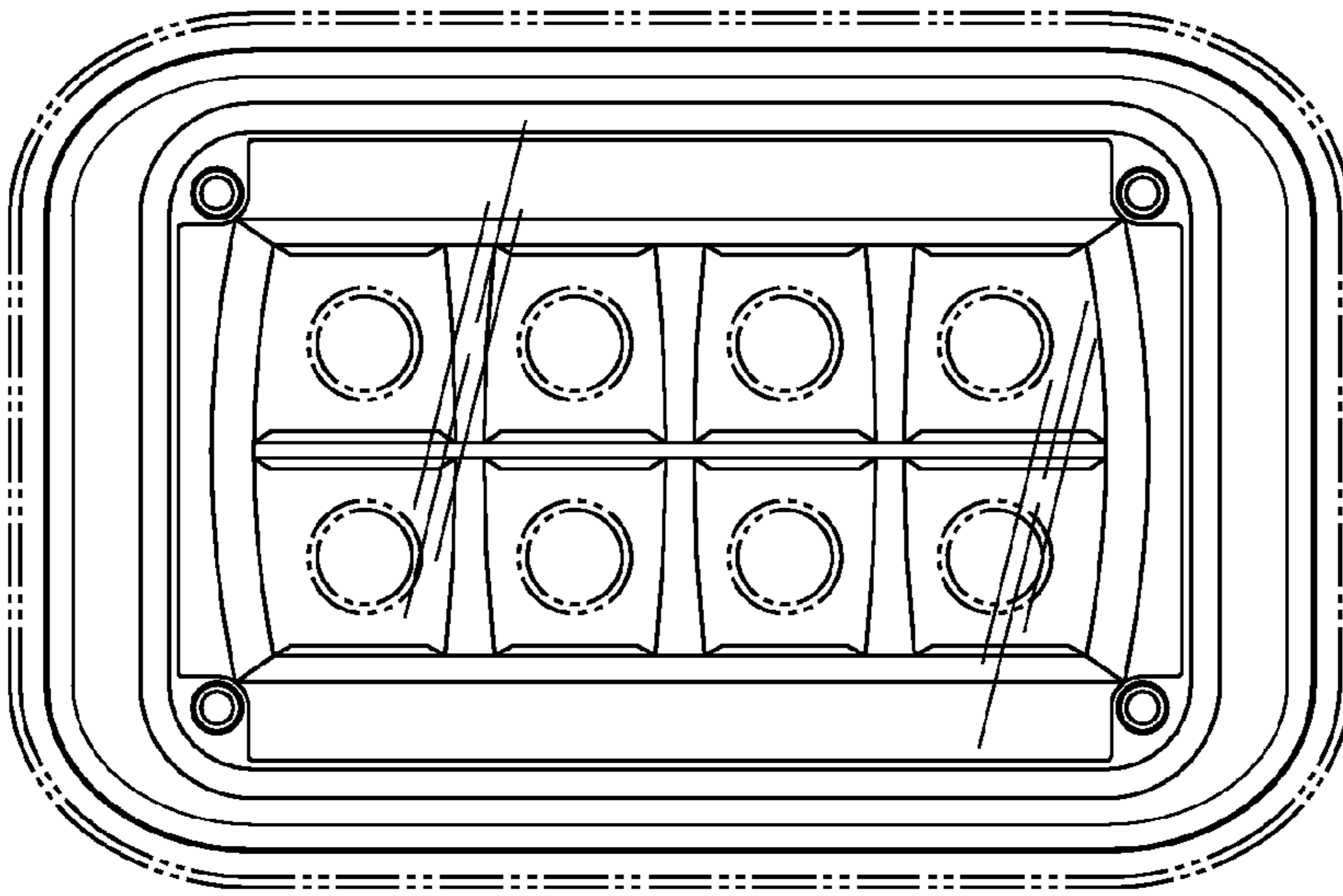


Fig. 2

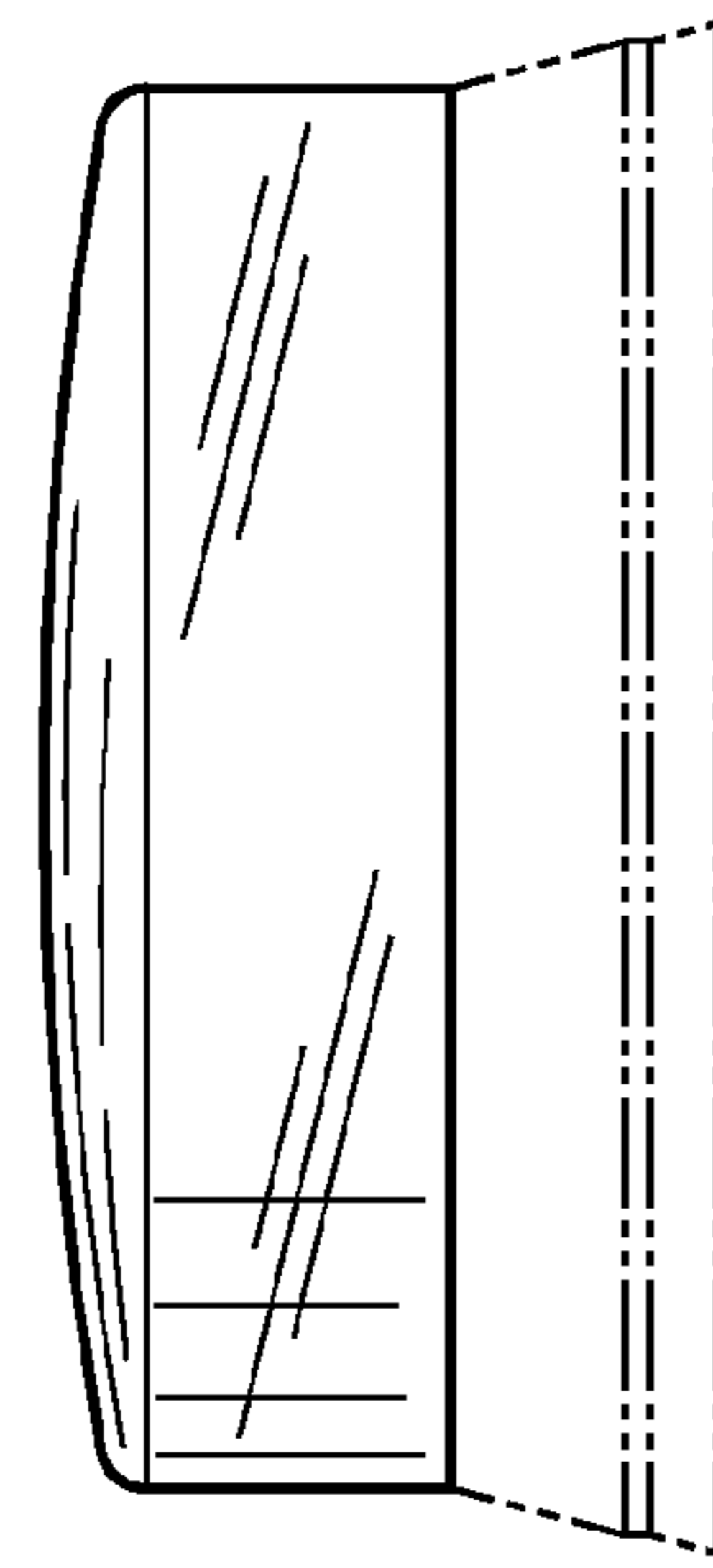


Fig. 3



Fig. 4