



US00D571245S

(12) **United States Design Patent**
Dicke et al.

(10) **Patent No.:** **US D571,245 S**
(45) **Date of Patent:** **** *Jun. 17, 2008**

(54) **BASE FOR WARNING ILLUMINATION
DEVICE**

(75) Inventors: **Grant Donald Dicke**, Downers Grove,
IL (US); **Ian Wareing**, Layland (GB)

(73) Assignee: **Dicke Tool Company**, Downers Grove,
IL (US)

(*) Notice: This patent is subject to a terminal dis-
claimer.

(**) Term: **14 Years**

(21) Appl. No.: **29/242,260**

(22) Filed: **Nov. 8, 2005**

(51) **LOC (8) Cl.** **10-05**

(52) **U.S. Cl.** **D10/114**

(58) **Field of Classification Search** D10/114,
D10/109, 121; D26/118, 85, 86, 72; D13/156;
D9/544, 687, 571, 573; D6/441; 340/908.1,
340/331, 815.76; 362/194, 310; 312/324
See application file for complete search history.

(56) **References Cited**

U.S. PATENT DOCUMENTS

D114,329	S	*	4/1939	Greg	D26/86
D157,362	S	*	2/1950	Francis	D6/441
D185,725	S	*	7/1959	Weiland	D13/156
4,259,712	A	*	3/1981	Vodicka	362/310
4,475,101	A		10/1984	Kulp et al.		
D286,206	S	*	10/1986	Joosten et al.	D26/85
4,710,053	A		12/1987	Kulp et al.		
D297,396	S	*	8/1988	Schwalbe	D8/14
D332,757	S	*	1/1993	Thomas et al.	D10/114
D364,242	S	*	11/1995	Fiorato	D26/85

5,664,874	A		9/1997	Winterer		
D422,899	S	*	4/2000	Kudo	D9/687
D423,250	S	*	4/2000	Wolff	D6/441
D428,818	S	*	8/2000	Waitzenegger	D9/544
D465,048	S	*	10/2002	Gaskins et al.	D26/72
D475,154	S	*	5/2003	Binsukor	D26/72
D484,633	S	*	12/2003	Campagna	D26/72
D516,930	S	*	3/2006	Dicke et al.	D10/114
D524,673	S	*	7/2006	Dicke et al.	D10/114

* cited by examiner

Primary Examiner—Cathron C. Brooks

Assistant Examiner—Austin Murphy

(74) *Attorney, Agent, or Firm*—Olson & Hierl, Ltd.

(57) **CLAIM**

The ornamental design for base for warning illumination
device, as shown and described.

DESCRIPTION

FIG. 1 is a perspective view of a warning light base showing
the new design;

FIG. 2 is a front elevational view thereof;

FIG. 3 is a rear elevational view thereof;

FIG. 4 is a side elevational view thereof, the opposite side
elevational view being the same as FIG. 3;

FIG. 5 is an opposite side elevational view thereof;

FIG. 6 is a top plan view thereof;

FIG. 7 is a bottom plan view thereof; and,

FIG. 8 is a perspective view thereof with a lens assembly
shown in broken lines mounted thereon.

The broken lines shown in the drawings form on part of the
claimed design.

1 Claim, 5 Drawing Sheets

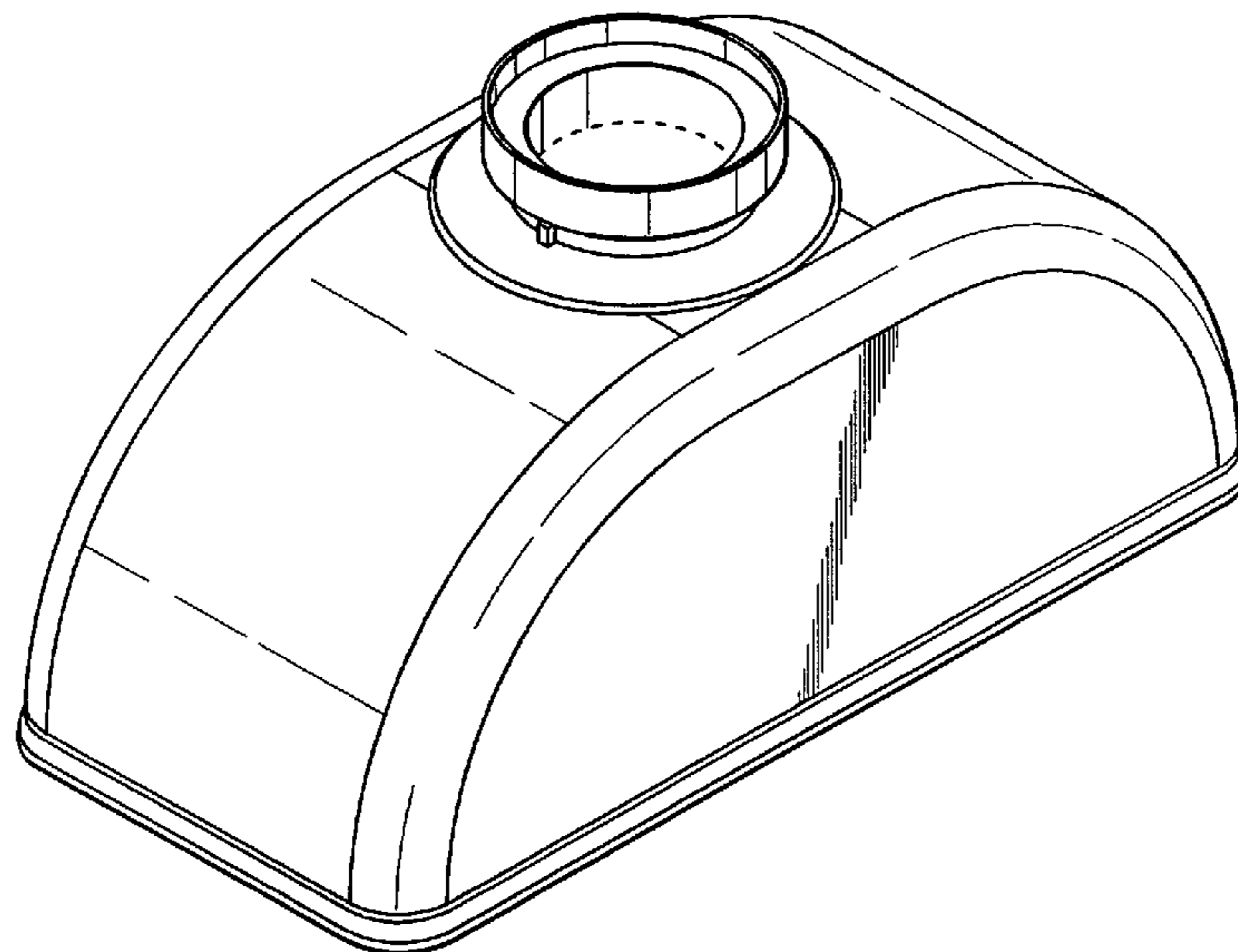


Fig. 1

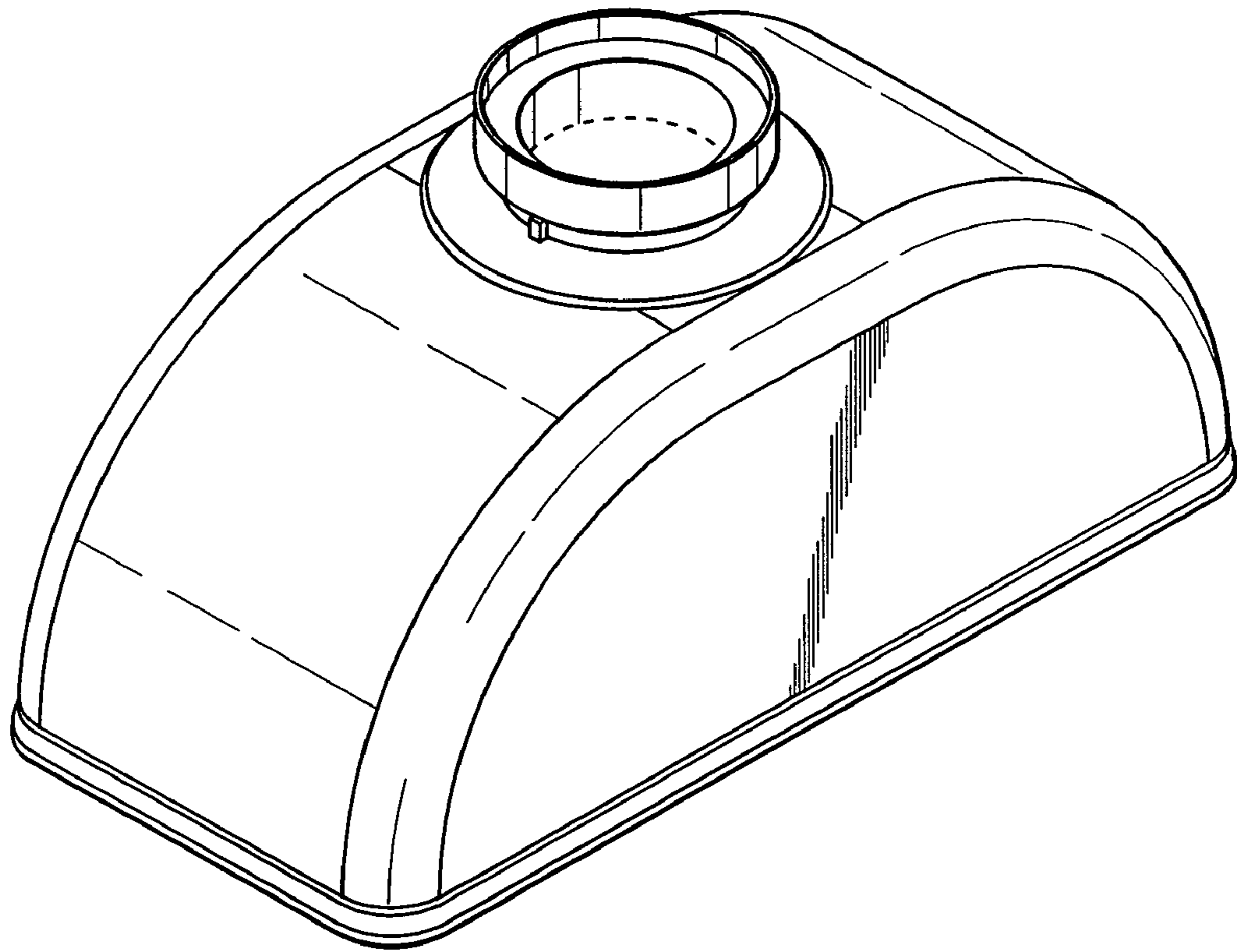


Fig. 2

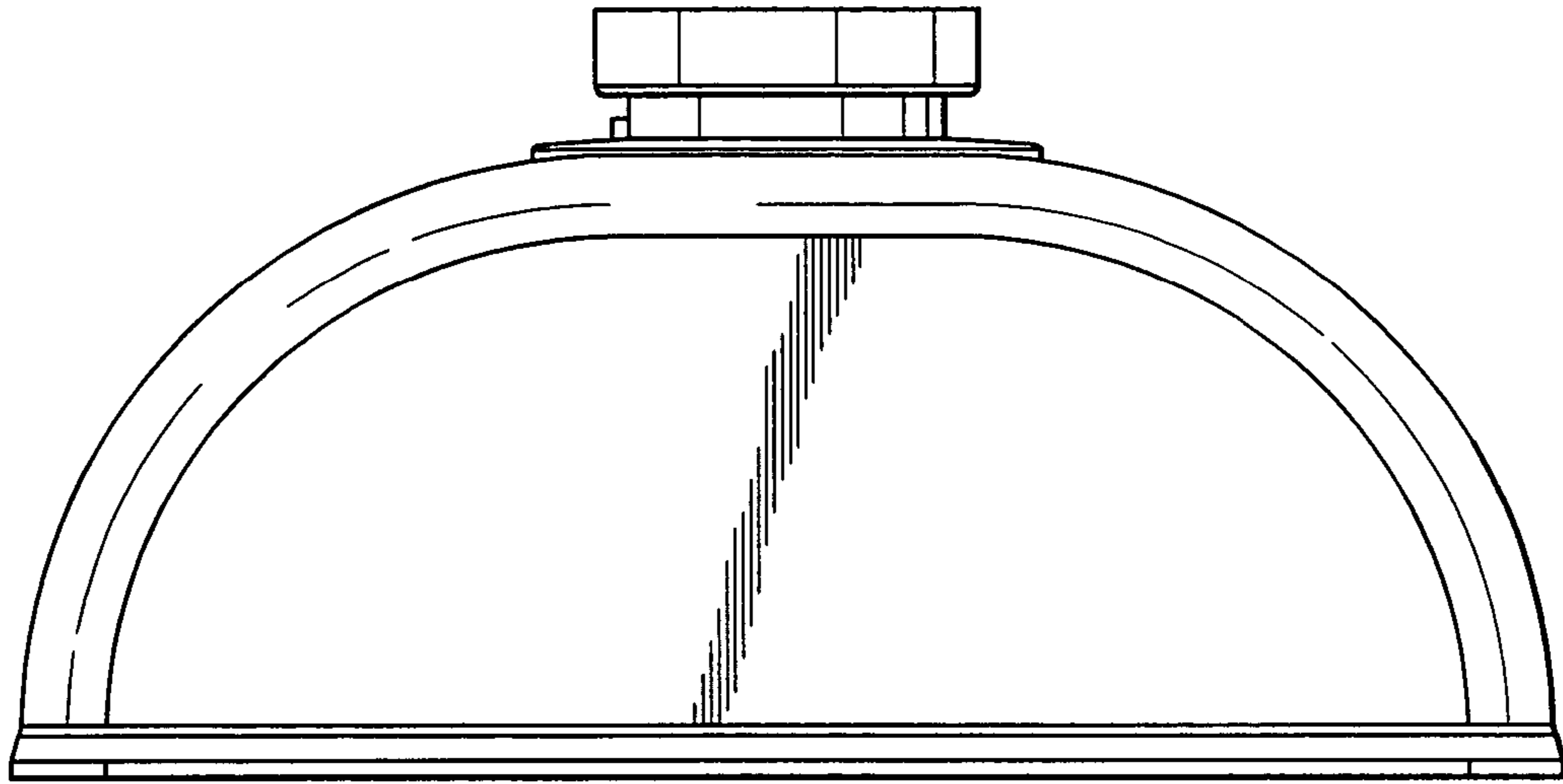


Fig. 3

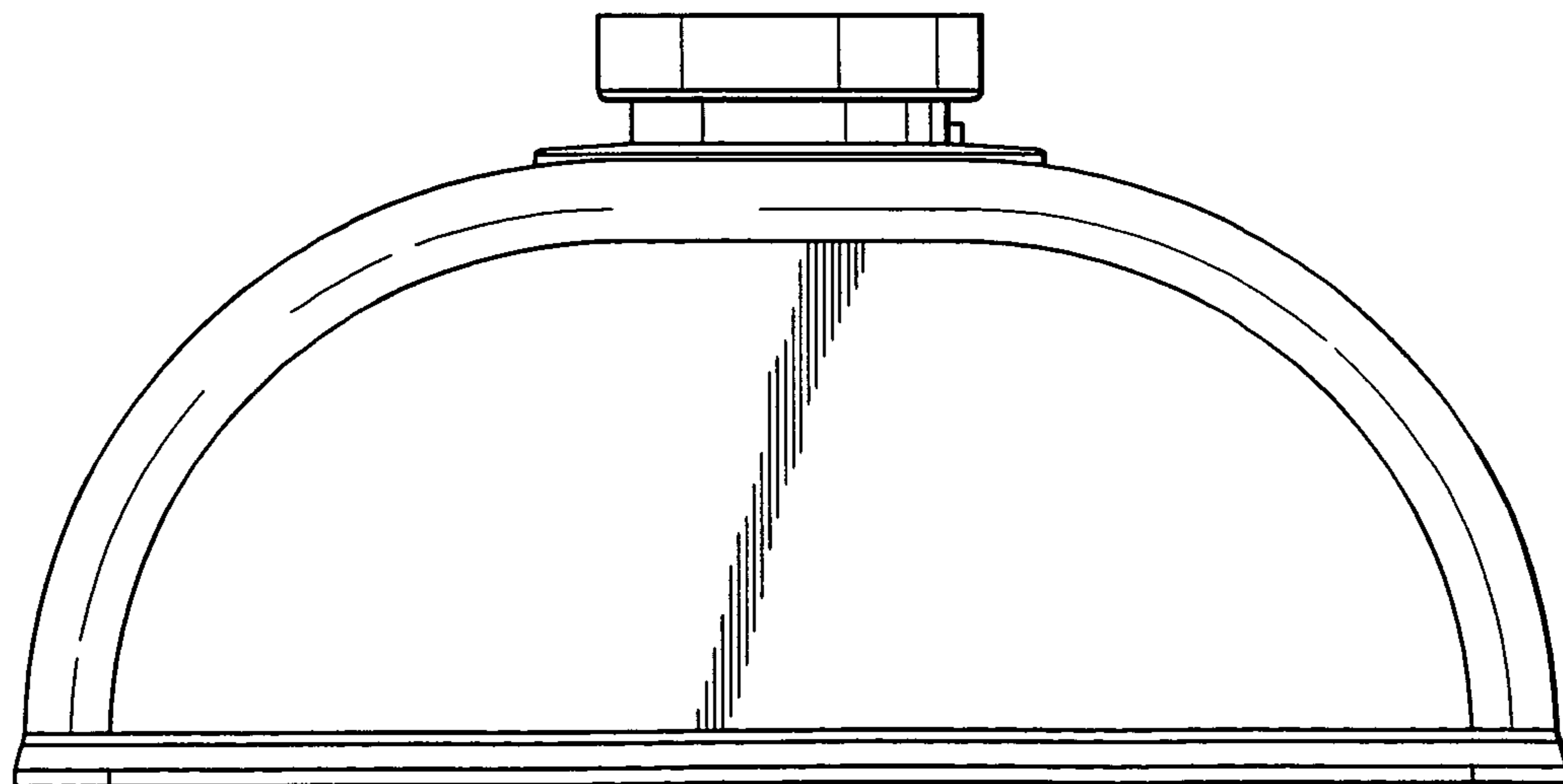


Fig. 4

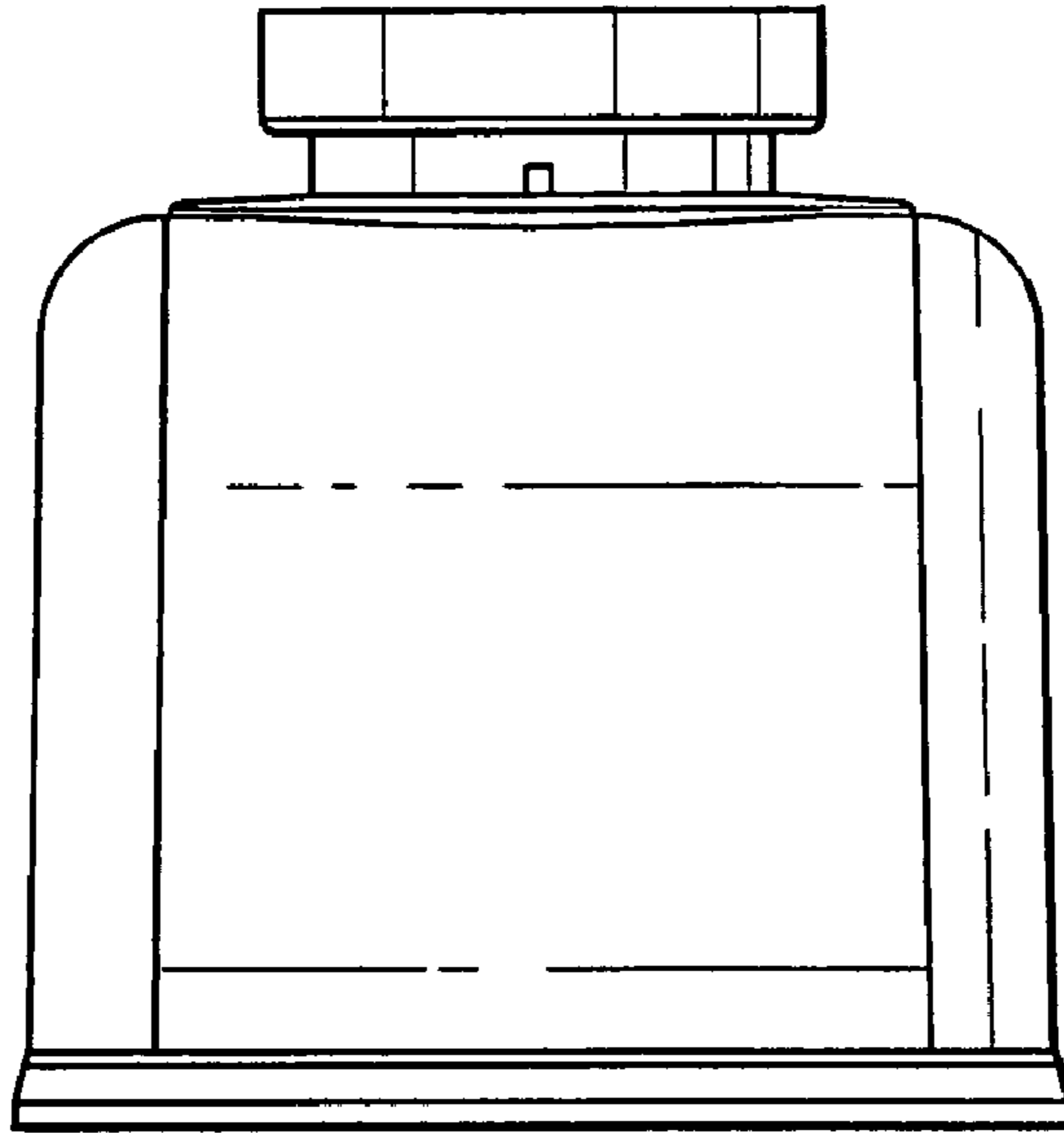


Fig. 5

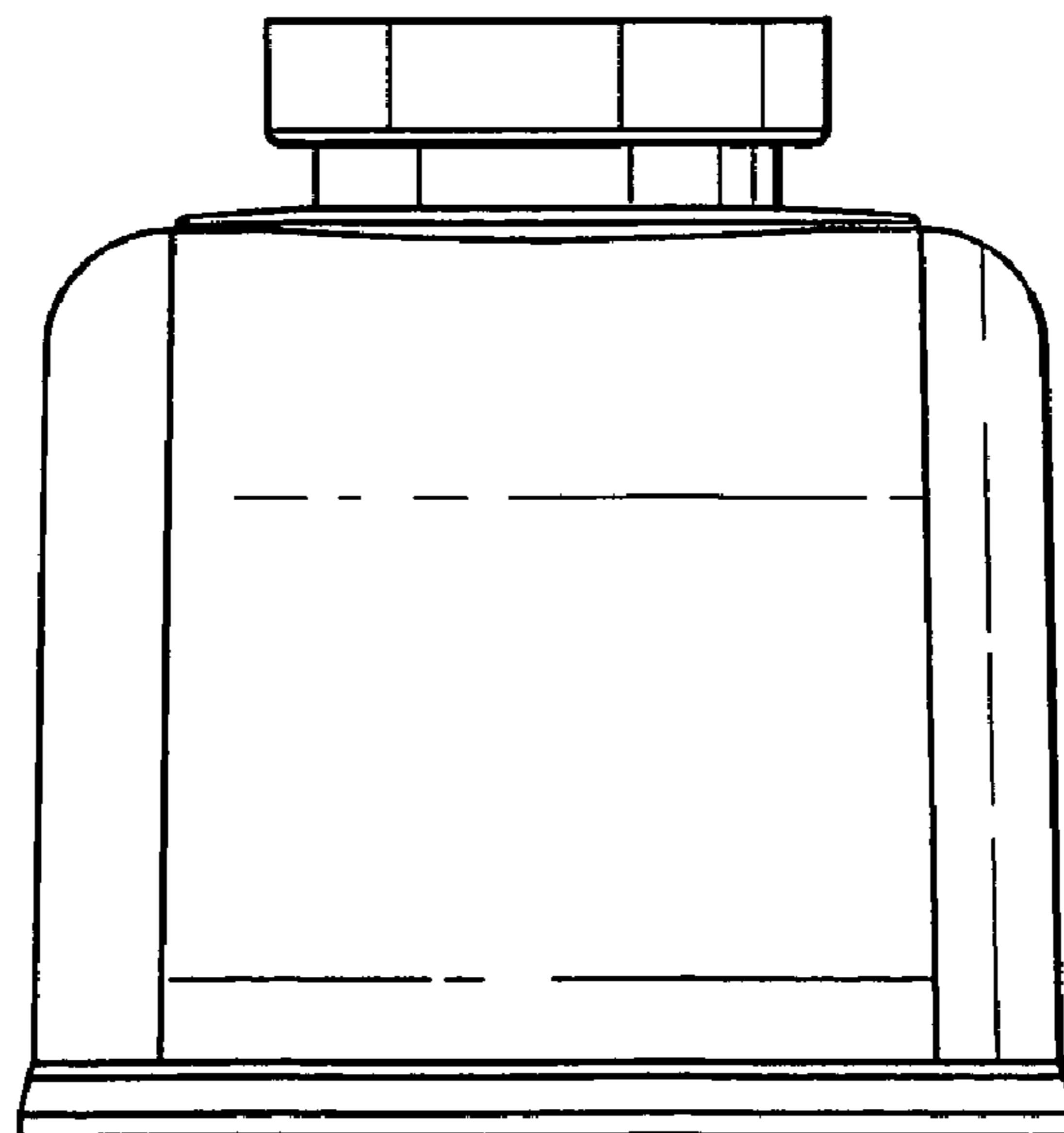


Fig. 6

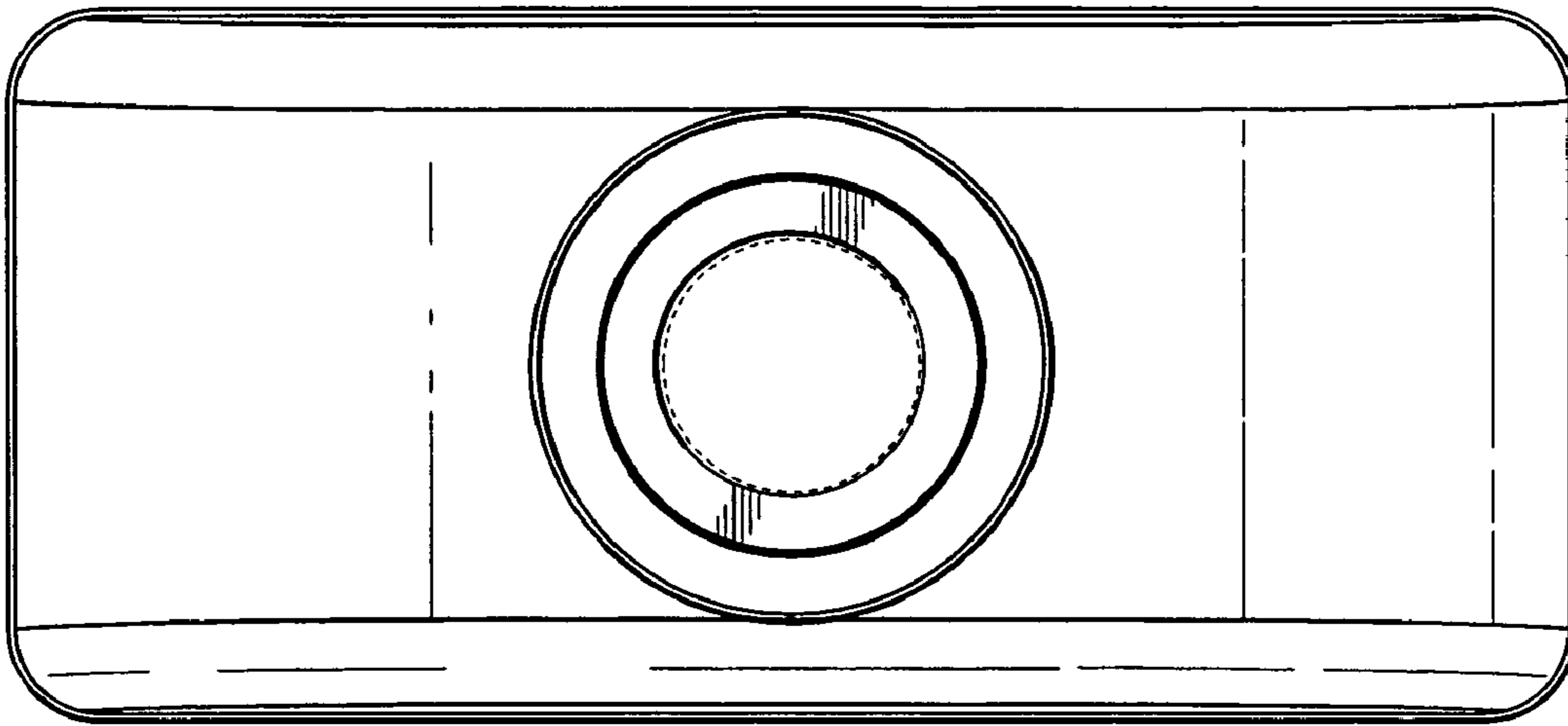


Fig. 7

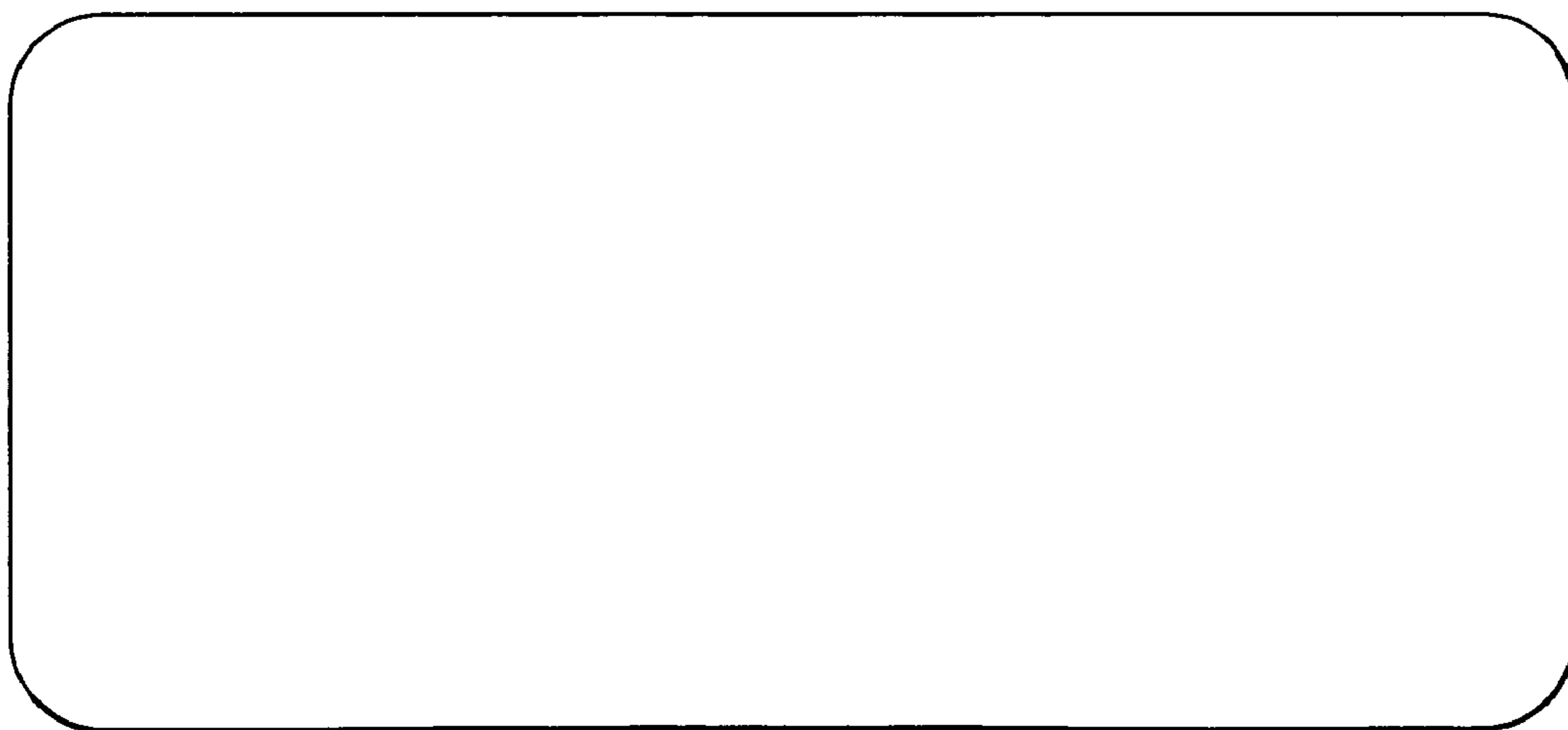


Fig. 8

