



US00D571240S

(12) **United States Design Patent**
Chun

(10) **Patent No.:** **US D571,240 S**
(45) **Date of Patent:** **** Jun. 17, 2008**

(54) **ILLUMINATED VOLTAGE SENSOR**

7,030,599 B2 * 4/2006 Douglas 324/72.5

(76) Inventor: **James K. Chun**, 2102-F Walsh Ave.,
Santa Clara, CA (US) 95050

* cited by examiner

(**) Term: **14 Years**

Primary Examiner—Antoine D Davis
(74) *Attorney, Agent, or Firm*—Dean A. Craine

(21) Appl. No.: **29/289,186**

(57) **CLAIM**

(22) Filed: **Jul. 10, 2007**

The ornamental design for an illuminated voltage sensor, as shown and described.

(51) **LOC (8) Cl.** **10-04**

(52) **U.S. Cl.** **D10/78**

(58) **Field of Classification Search** D10/78;
324/555, 556, 114, 133, 156, 72.5, 508; 340/654;
379/21; 73/866.5

DESCRIPTION

See application file for complete search history.

FIG. 1 is a perspective view of the illuminated voltage sensor.

FIG. 2 is a top plan view of the invention.

FIG. 3 is a left side elevational view of the invention.

FIG. 4 is a right side elevational view of the invention.

FIG. 5 is a bottom plan view of the invention.

FIG. 6 is a rear plan view of the invention; and,

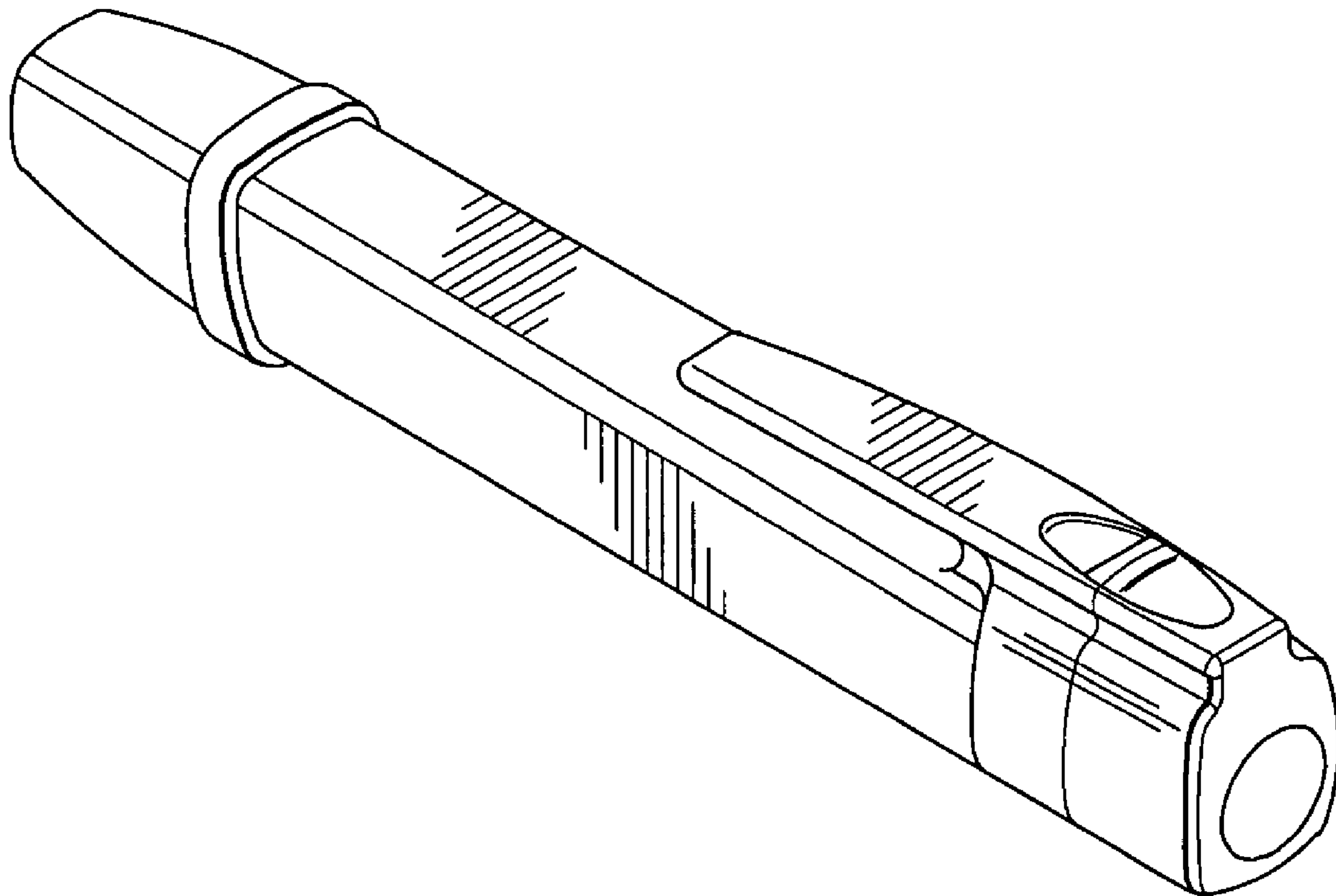
FIG. 7 is a front plan view of the invention.

(56) **References Cited**

U.S. PATENT DOCUMENTS

D351,562 S *	10/1994	Moffatt et al.	D10/78
D383,988 S *	9/1997	Luebke	D10/78
D410,203 S *	5/1999	Beha	D10/78
6,377,054 B1 *	4/2002	Beha	324/556

1 Claim, 2 Drawing Sheets



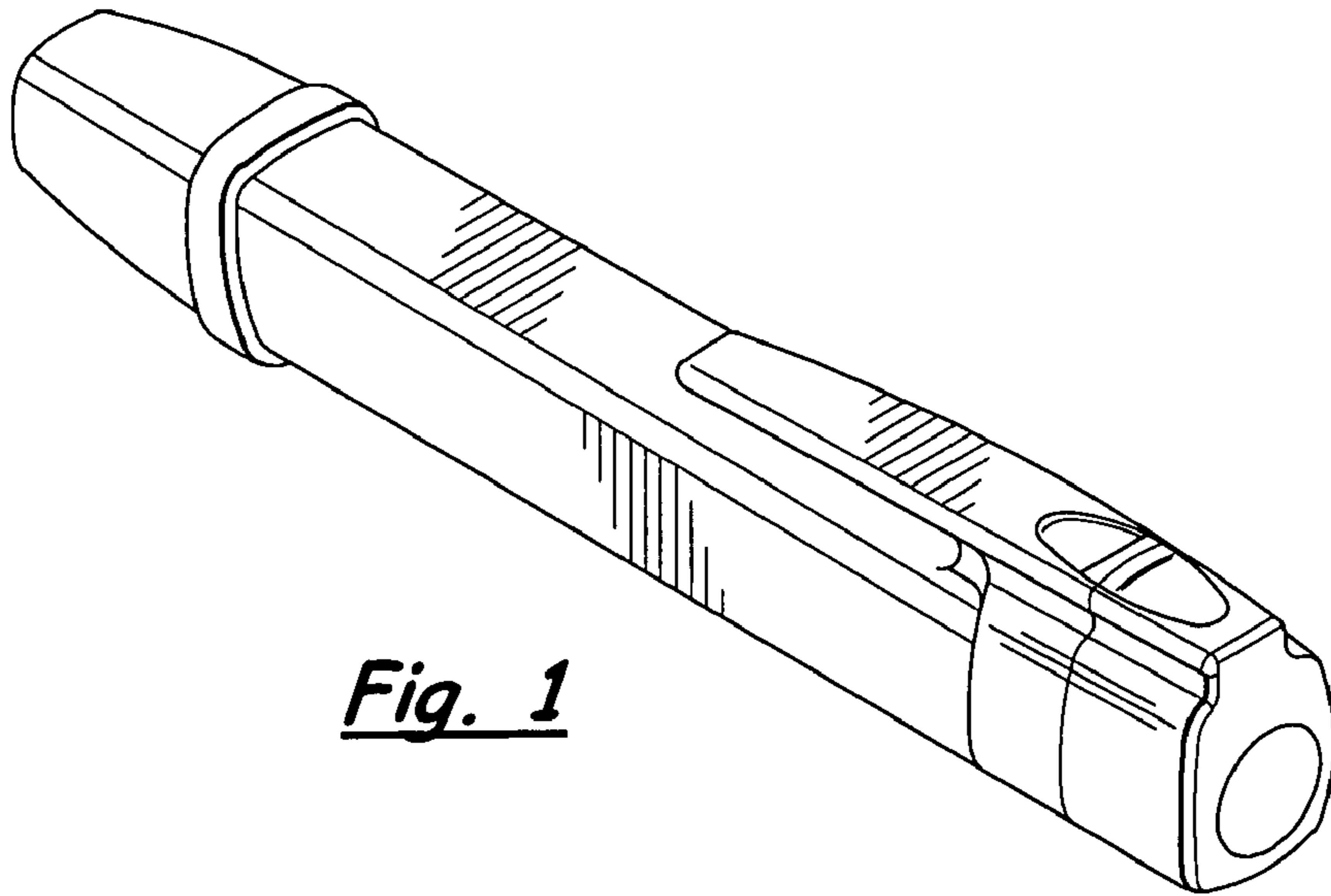


Fig. 1

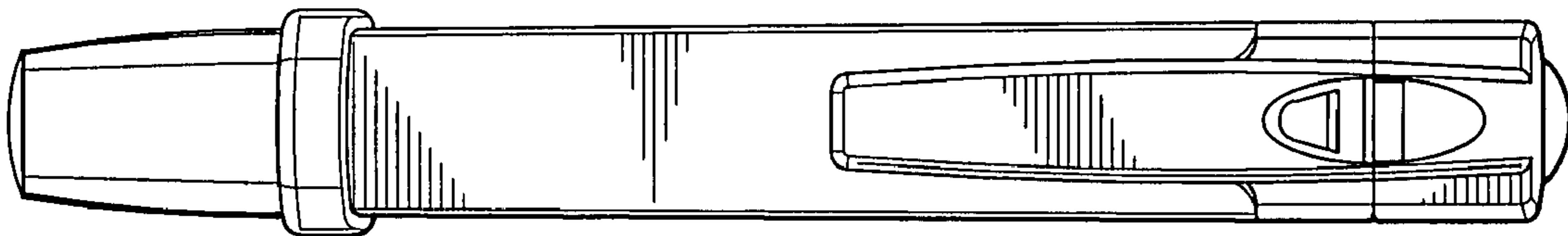


Fig. 2

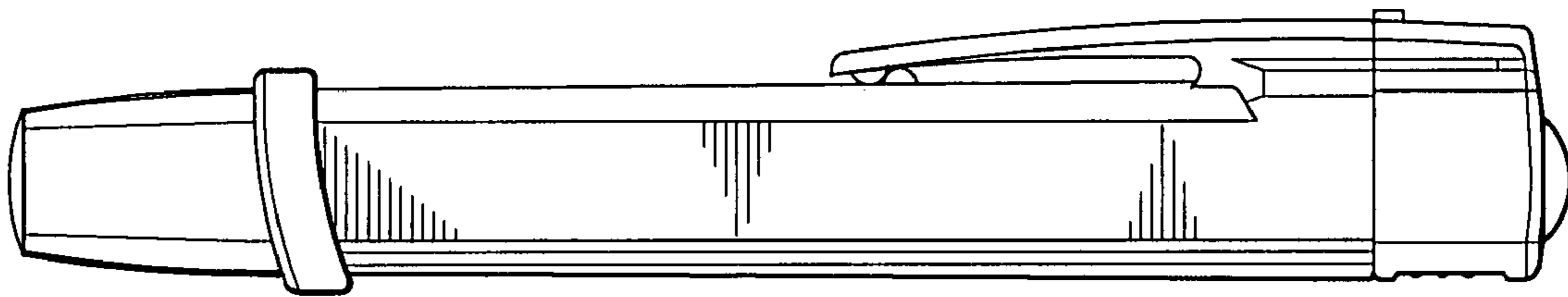


Fig. 3

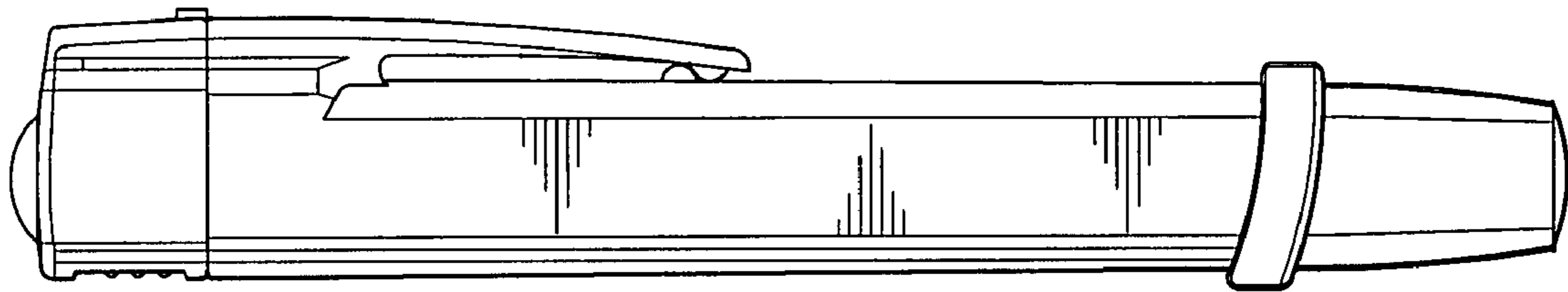


Fig. 4

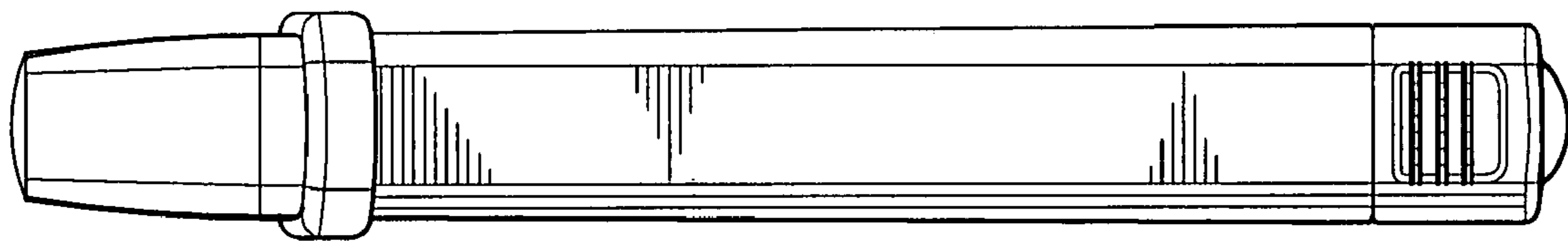


Fig. 5

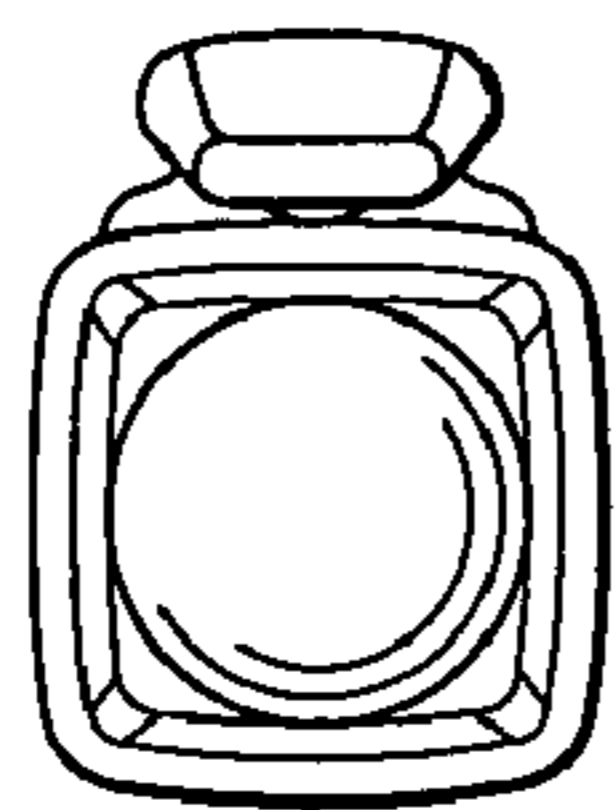


Fig. 6

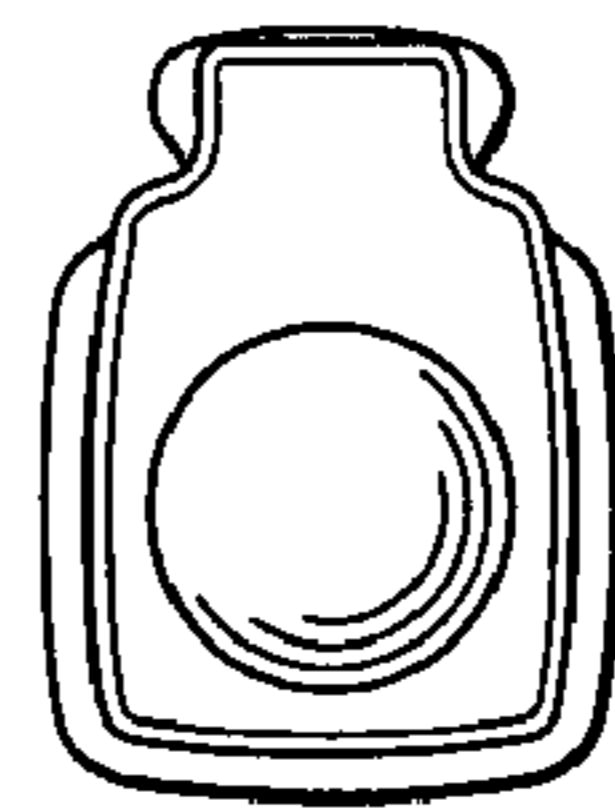


Fig. 7