



US00D571238S

(12) **United States Design Patent**
Stervermer

(10) **Patent No.:** **US D571,238 S**
(45) **Date of Patent:** **** Jun. 17, 2008**

(54) **MEASURING WHEEL**

(76) **Inventor:** **Lyle E. Stervermer**, 2 S. Main St., P.O. Box 748, Winnebago, MN (US) 56098

(**) **Term:** **14 Years**

(21) **Appl. No.:** **29/265,887**

(22) **Filed:** **Sep. 11, 2006**

(51) **LOC (8) Cl.** **10-04**

(52) **U.S. Cl.** **D10/70**

(58) **Field of Classification Search** D10/70;
33/345, DIG. 1, 772-782

See application file for complete search history.

(56) **References Cited**

U.S. PATENT DOCUMENTS

D458,162 S	6/2002	Wightman	
D486,406 S	2/2004	Critelli et al.	
D498,153 S	11/2004	Stervermer	
D499,033 S	11/2004	Stervermer	
D500,692 S *	1/2005	Olson et al. D10/70
6,892,470 B2	5/2005	Olson et al.	
D511,305 S	11/2005	Stervermer	

7,040,036 B1	5/2006	Wang	
7,111,412 B2	9/2006	Huang	
7,131,216 B2 *	11/2006	Nepil 33/772

* cited by examiner

Primary Examiner—Antoine D Davis
(74) *Attorney, Agent, or Firm*—Patterson, Thuente, Skaar & Christensen, P.A.

(57) **CLAIM**

I claim the ornamental design for a measuring wheel, as shown.

DESCRIPTION

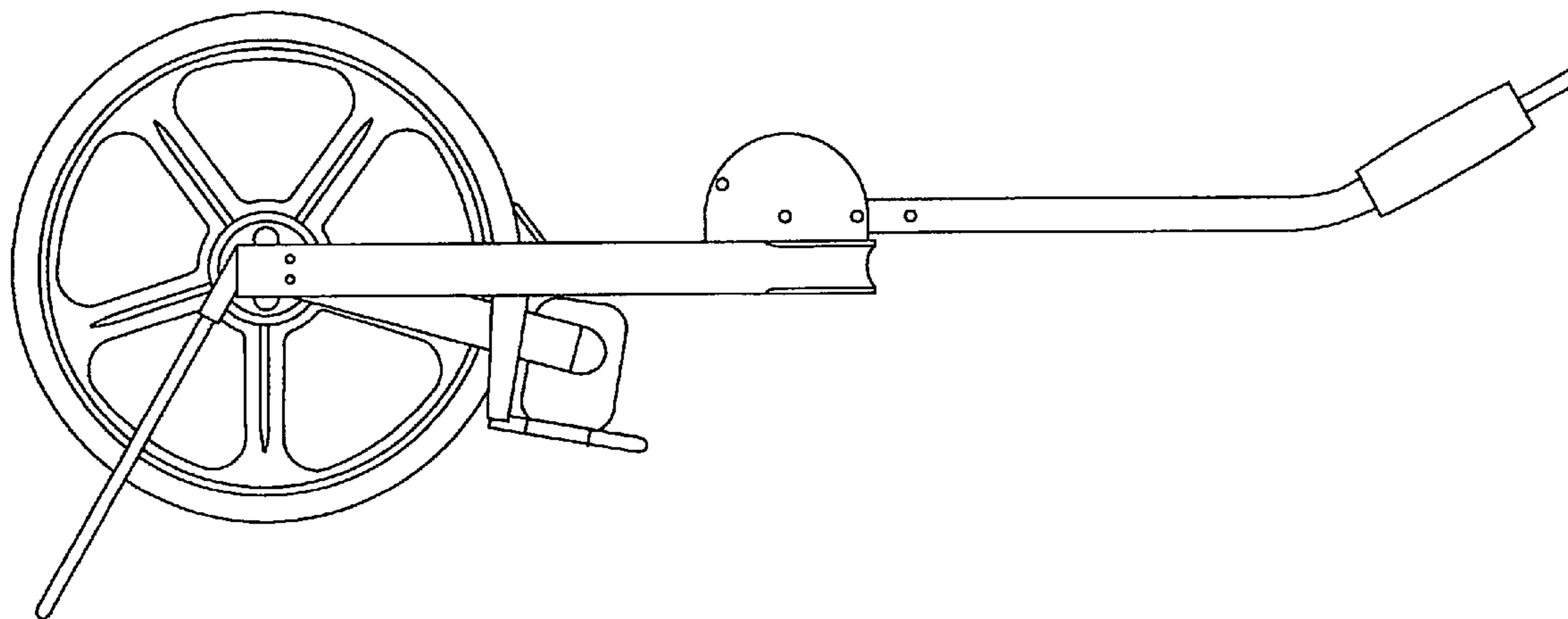
FIG. 1 is a first side view of a measuring wheel according to the present invention.

FIG. 2 is a bottom perspective view of a measuring wheel according to the present invention.

FIG. 3 is a second side view of a measuring wheel according to the present invention; and,

FIG. 4 is a rear perspective view of a measuring wheel according to the present invention.

1 Claim, 4 Drawing Sheets



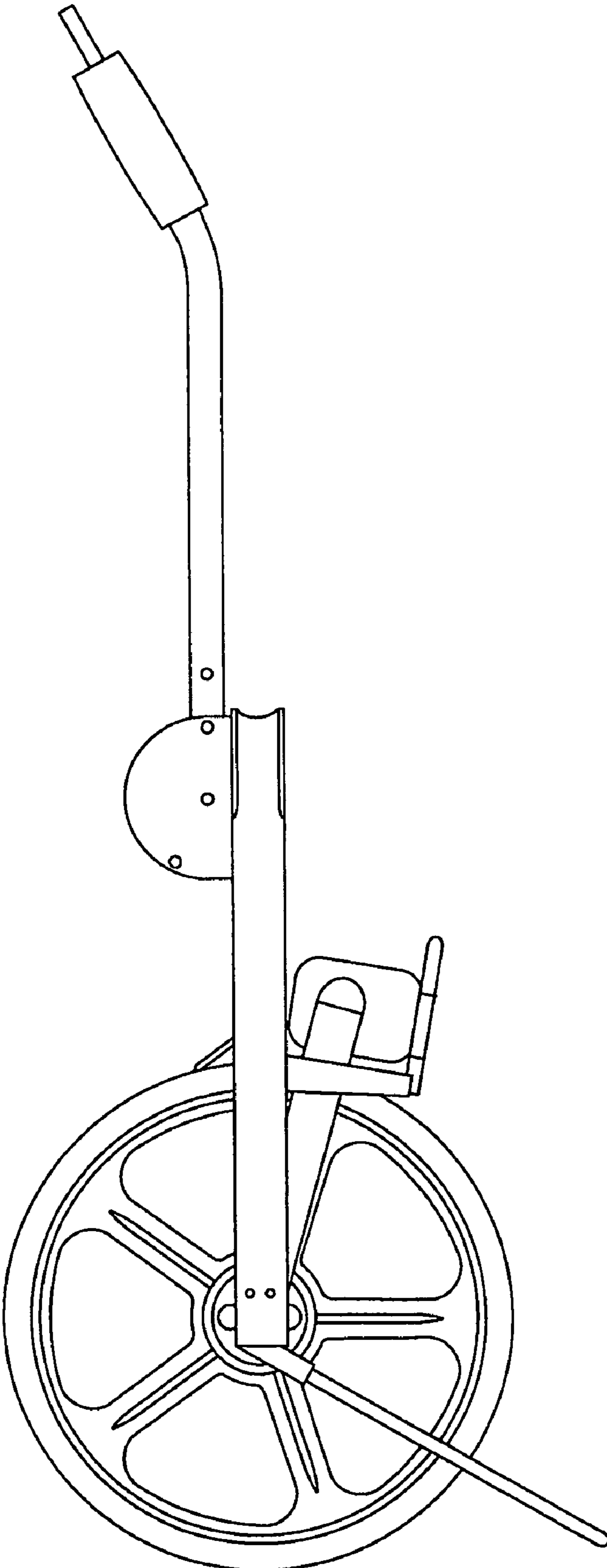


Fig. 1

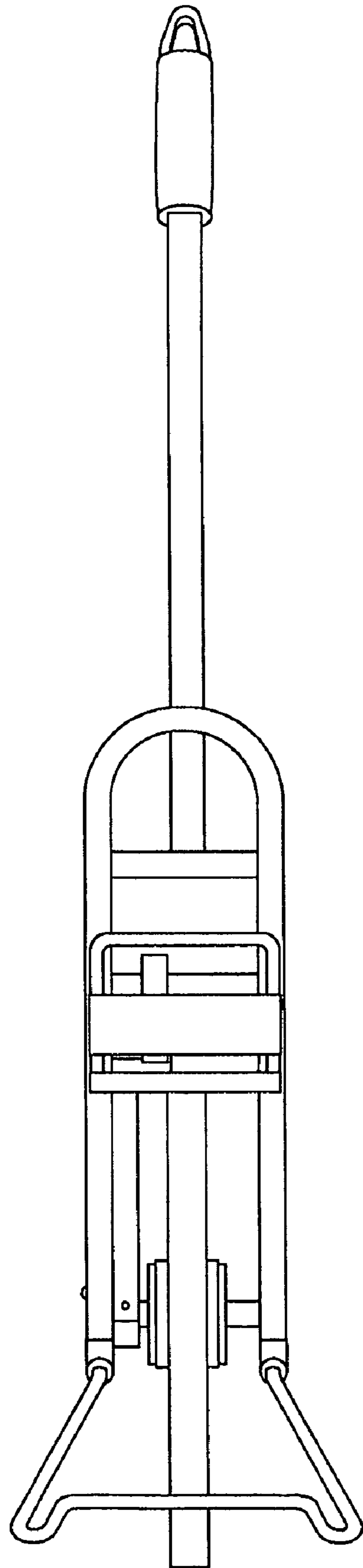


Fig. 2

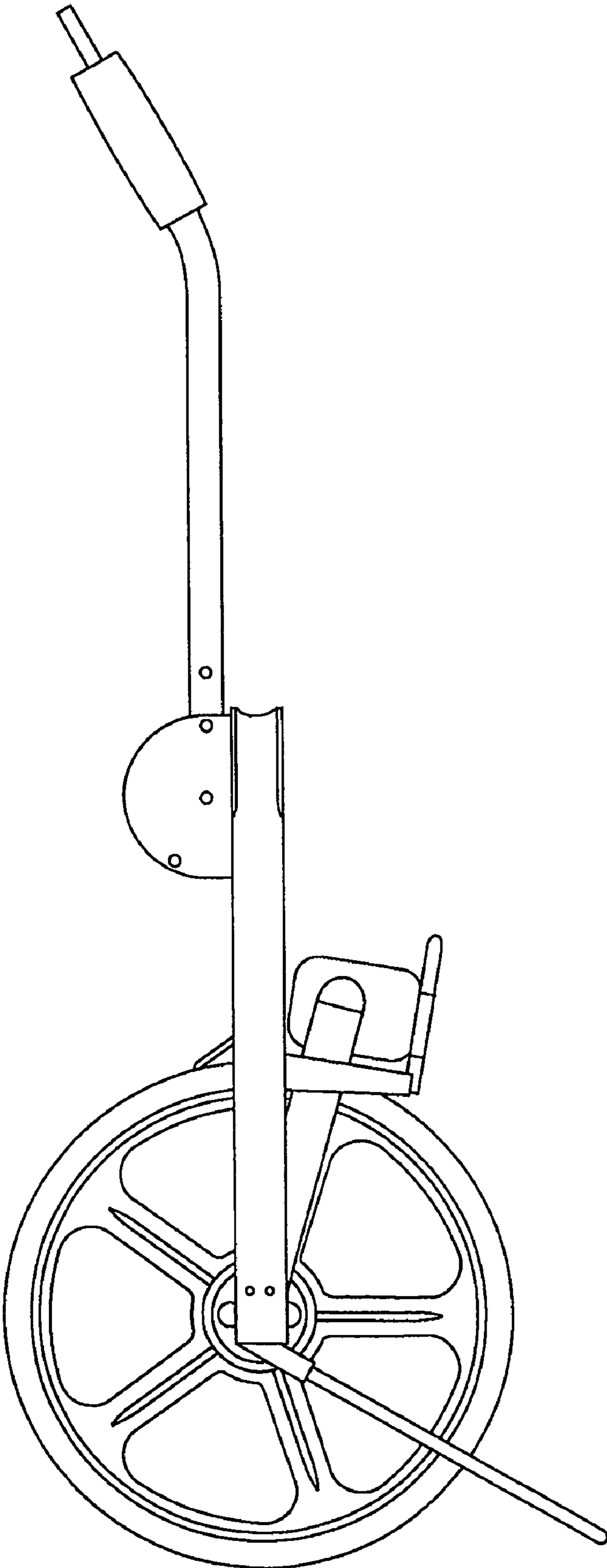


Fig. 3

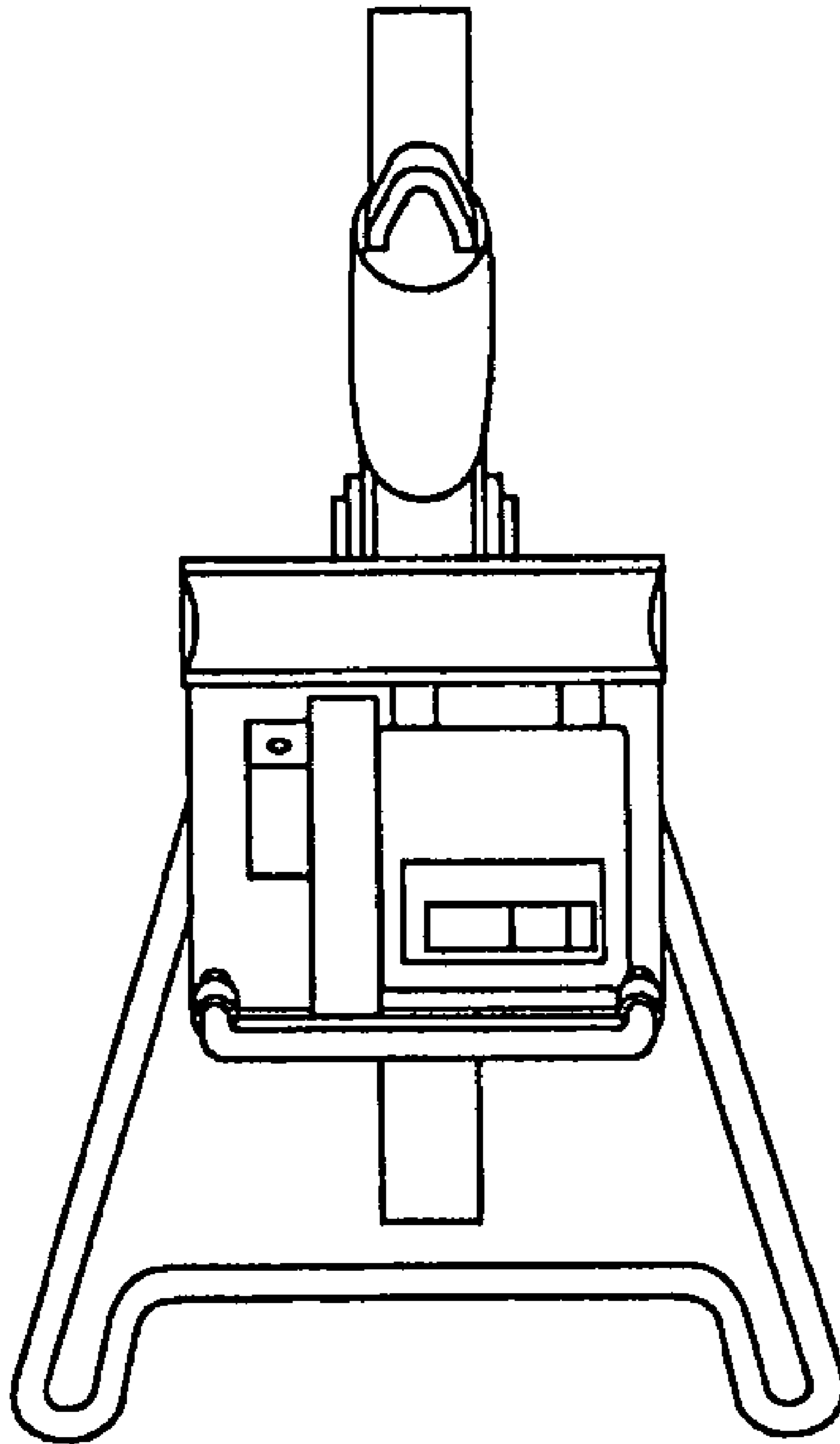


Fig. 4