



US00D571236S

(12) **United States Design Patent**
Cameron

(10) **Patent No.:** **US D571,236 S**
(45) **Date of Patent:** **** Jun. 17, 2008**

(54) **SURVEY ROVER UNIT USING REAL-TIME KINEMATIC TECHNOLOGY**

6,317,603 B1 * 11/2001 Allison 455/456.1
6,507,738 B1 * 1/2003 Allison et al. 455/427

* cited by examiner

(75) Inventor: **John F. Cameron**, Los Altos, CA (US)

Primary Examiner—Antoine D. Davis

(73) Assignee: **Trimble Navigation Limited**,
Sunnyvale, CA (US)

(57) **CLAIM**

I claim the ornamental design for a survey rover unit using real-time kinematic technology, as shown and described.

(**) Term: **14 Years**

DESCRIPTION

(21) Appl. No.: **29/254,817**

FIG. 1 is an upper right front perspective view of a survey rover unit using real-time kinematic technology showing my new design, features shown in broken line are for illustrative purposes only and form no part of the claimed design. The survey rover unit is shown in segments and is depicted with a bracket to disclose an indeterminate length.

(22) Filed: **Feb. 27, 2006**

(51) **LOC (8) Cl.** **10-04**

(52) **U.S. Cl.** **D10/66**

(58) **Field of Classification Search** D10/46,
D10/65, 66, 70; 73/178 R; 340/438, 439,
340/988; 342/357.06, 357.08, 357.1, 357,
342/358, 457; 360/48-51; 455/428, 456.1;
701/213-216, 207, 300, 35

FIG. 2 is a lower left rear perspective view thereof. The survey rover unit using real-time kinematic technology is shown in segments and is depicted with a bracket to disclose an indeterminate length.

See application file for complete search history.

FIG. 3 is a top plan view thereof.

(56) **References Cited**

U.S. PATENT DOCUMENTS

D248,018 S * 5/1978 Kubo D10/66
5,841,026 A * 11/1998 Kirk et al. 73/178 R
5,916,300 A * 6/1999 Kirk et al. 701/213

FIG. 4 is a side elevational view thereof, all four sides are identical thereto. The survey rover unit using real-time kinematic technology is shown in segments and is depicted with a bracket to disclose an indeterminate length; and,

FIG. 5 is a bottom plan view thereof.

1 Claim, 5 Drawing Sheets

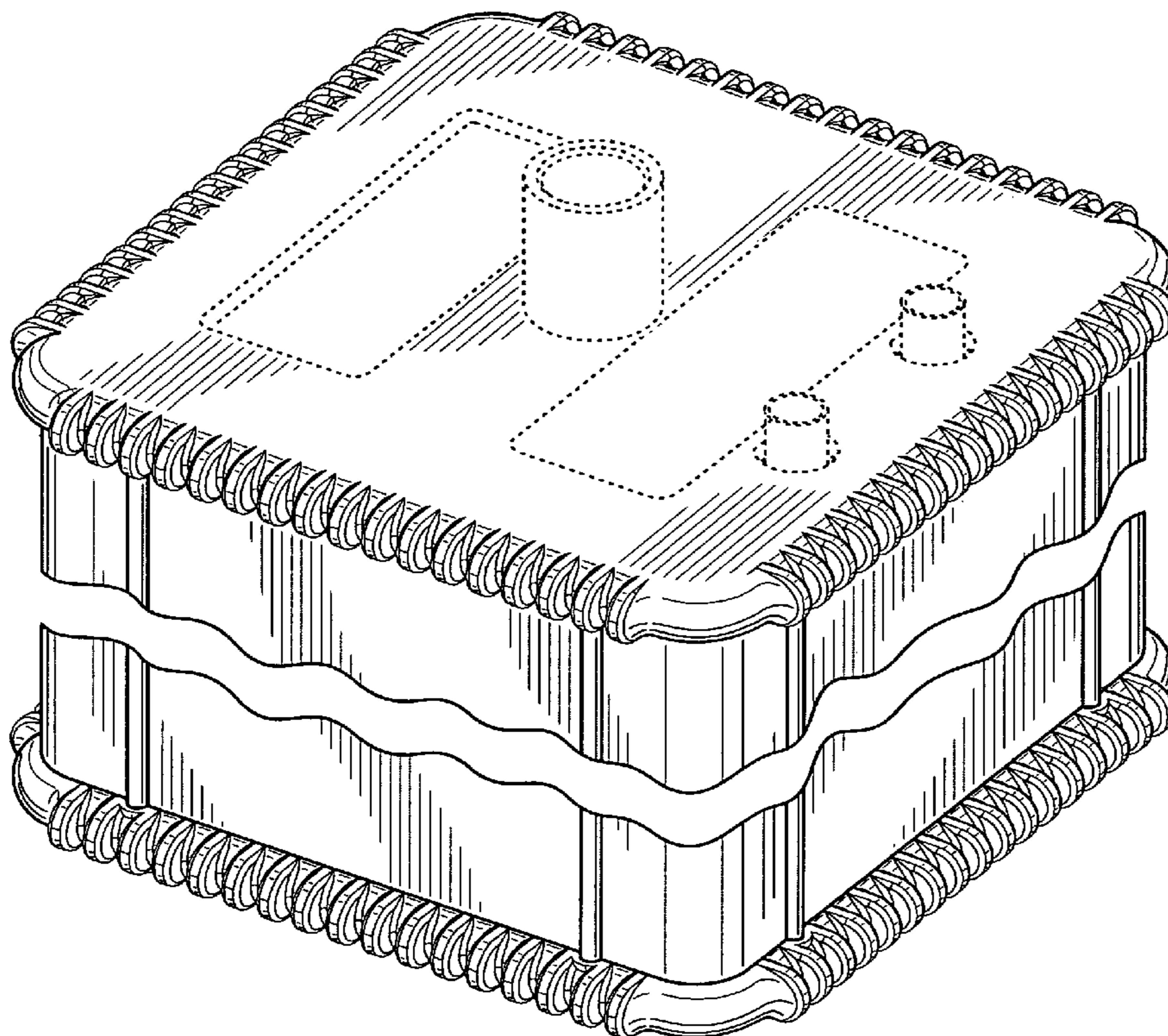


FIG. 1

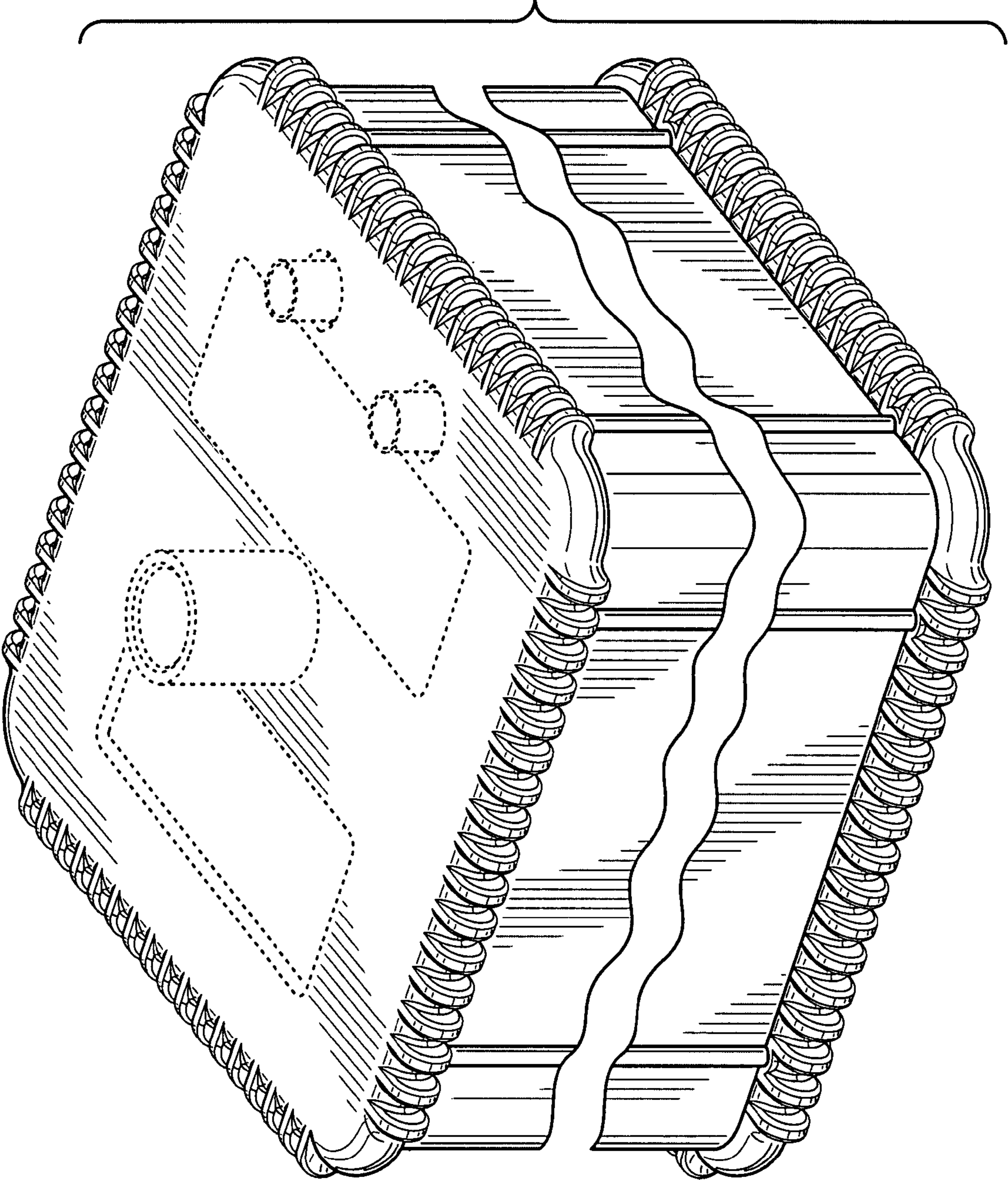
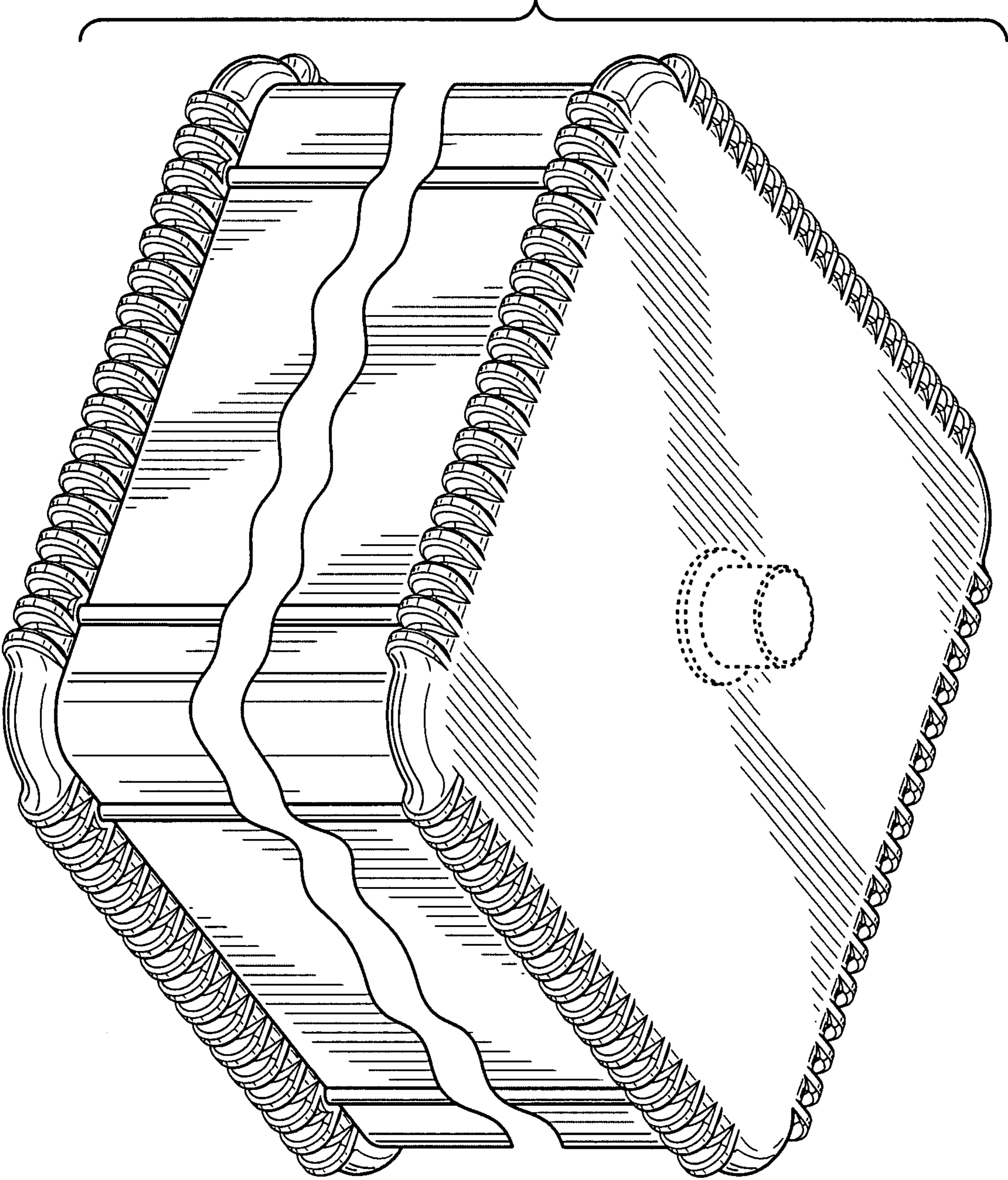


FIG. 2



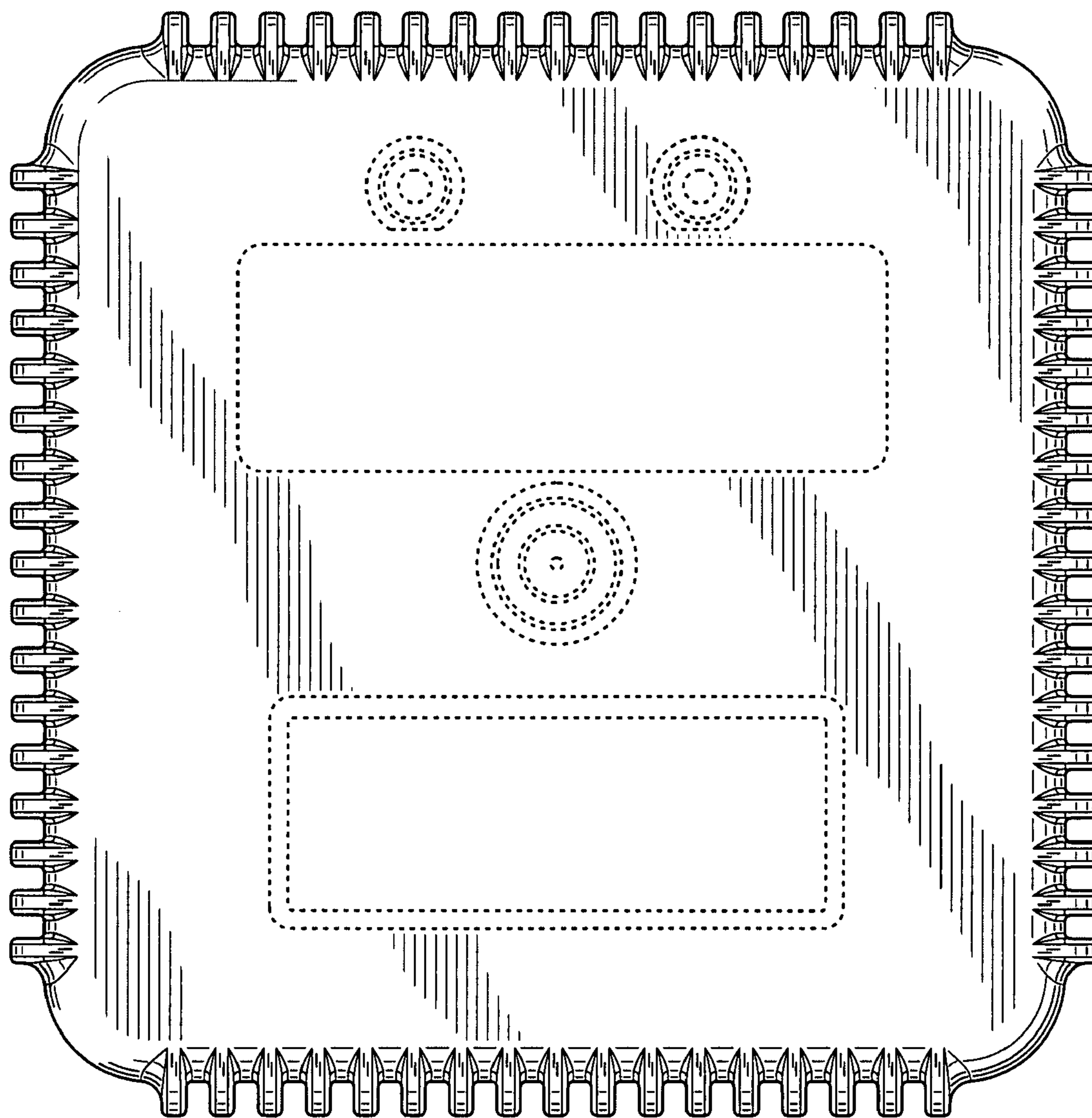
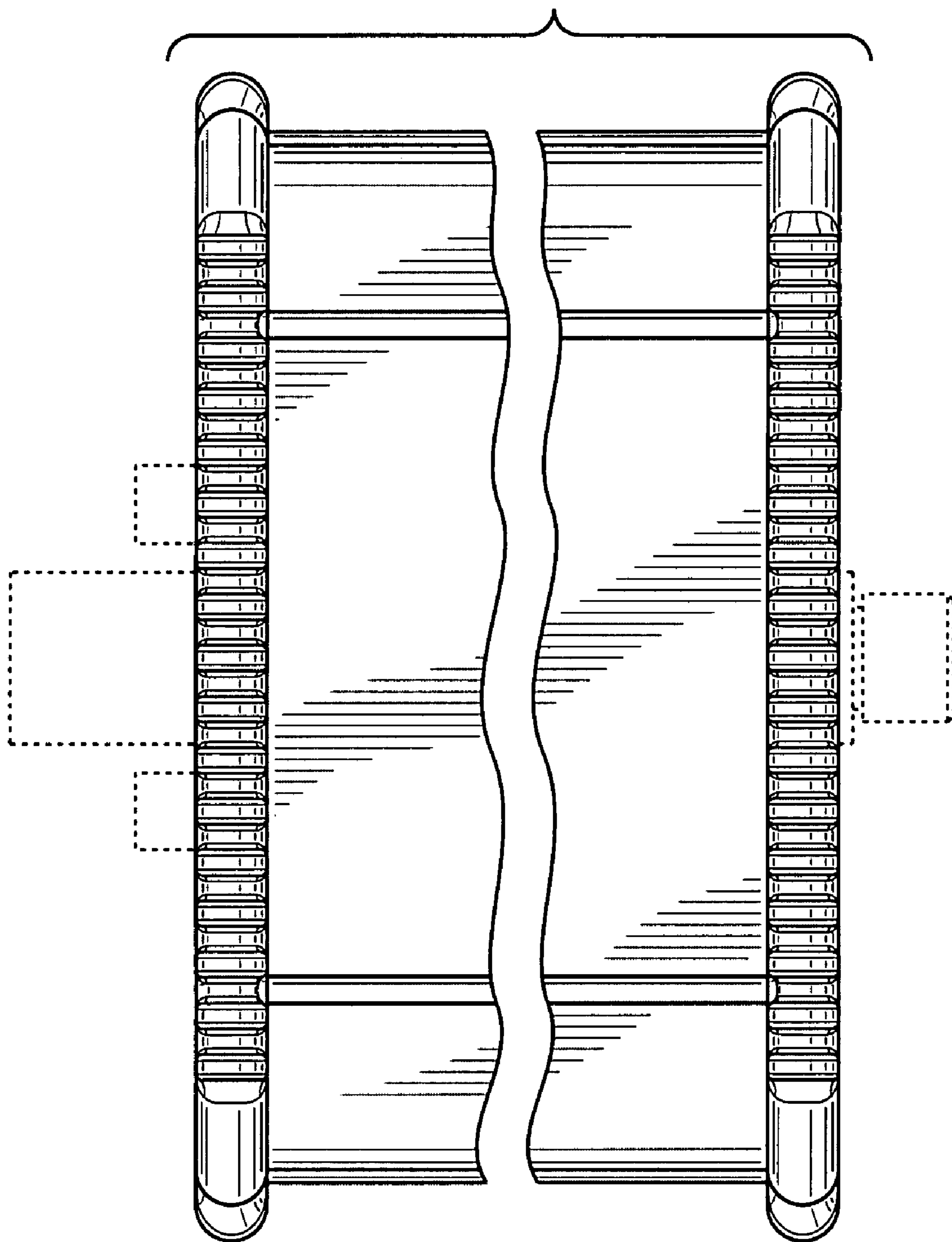


FIG. 3

FIG. 4



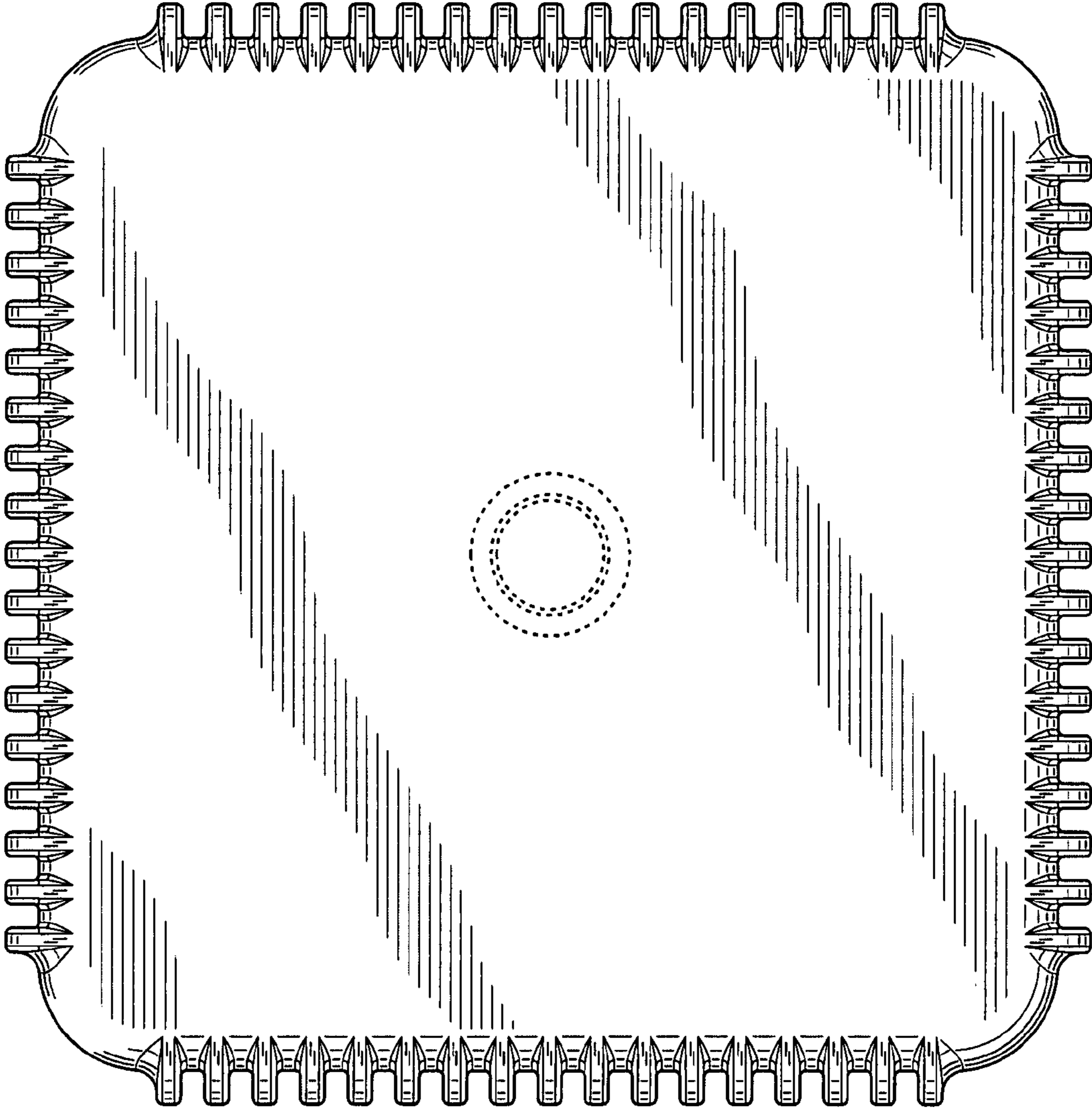


FIG. 5