



US00D571233S

(12) **United States Design Patent**  
**Rys, Jr.**

(10) **Patent No.:** **US D571,233 S**  
(45) **Date of Patent:** **\*\* Jun. 17, 2008**

(54) **FABRICATION TEMPLATE**

(75) Inventor: **Edward S. Rys, Jr.**, Plymouth, MI (US)

(73) Assignee: **QS Pro, LLC**, Plymouth, MI (US)

(\*\*) Term: **14 Years**

(21) Appl. No.: **29/282,573**

(22) Filed: **Jul. 24, 2007**

(51) **LOC (8) Cl.** ..... **10-04**

(52) **U.S. Cl.** ..... **D10/64**

(58) **Field of Classification Search** ..... D10/64;  
33/562-566

See application file for complete search history.

(56) **References Cited**

U.S. PATENT DOCUMENTS

2,458,072	A *	1/1949	Hall	.....	33/562
D374,404	S *	10/1996	Kidd	.....	D10/71
D393,217	S *	4/1998	Brickman	.....	D10/64
D395,012	S *	6/1998	Shouse	.....	D10/64
5,960,554	A *	10/1999	Kamykowski	.....	33/562
6,473,982	B1 *	11/2002	Schimes	.....	33/562
7,003,889	B1 *	2/2006	Luciani	.....	33/194

\* cited by examiner

*Primary Examiner*—Antoine D. Davis

(74) *Attorney, Agent, or Firm*—Honigman Miller Schwartz & Cohn LLP

(57) **CLAIM**

The ornamental design for fabrication template, as shown and described.

**DESCRIPTION**

FIG. 1 is a front/left side isometric view of the present invention;

FIG. 2 is a rear/left side isometric view of the template of FIG. 1;

FIG. 3 is a front elevational view of the template of FIG. 1;

FIG. 4 is a rear elevational view of the template of FIG. 1;

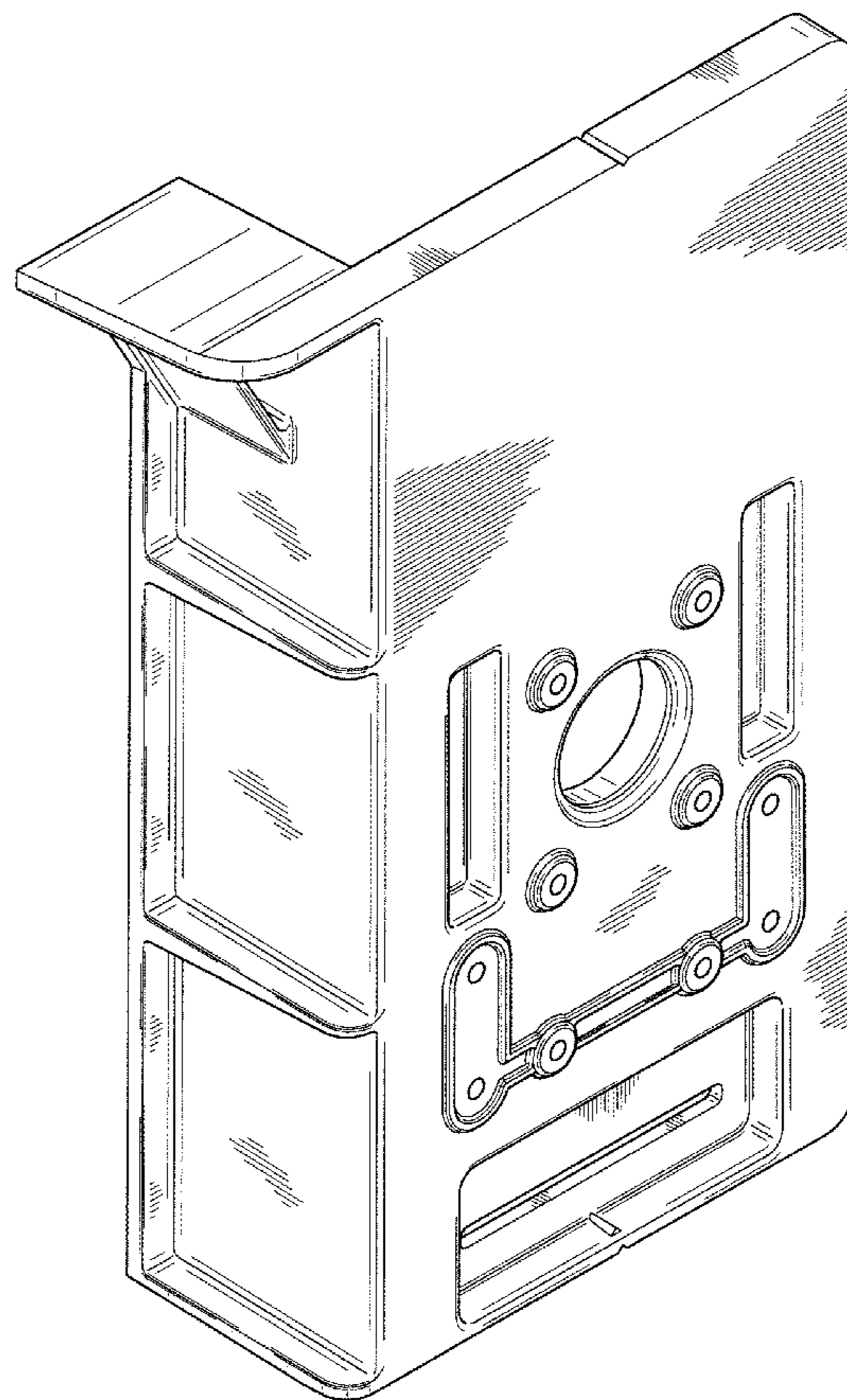
FIG. 5 is a left elevational view of the invention of FIG. 1;

FIG. 6 is a right side elevational view of the invention of FIG. 1;

FIG. 7 is a top plan view of the invention of FIG. 1; and,

FIG. 8 is a bottom view of the invention of FIG. 1.

**1 Claim, 7 Drawing Sheets**



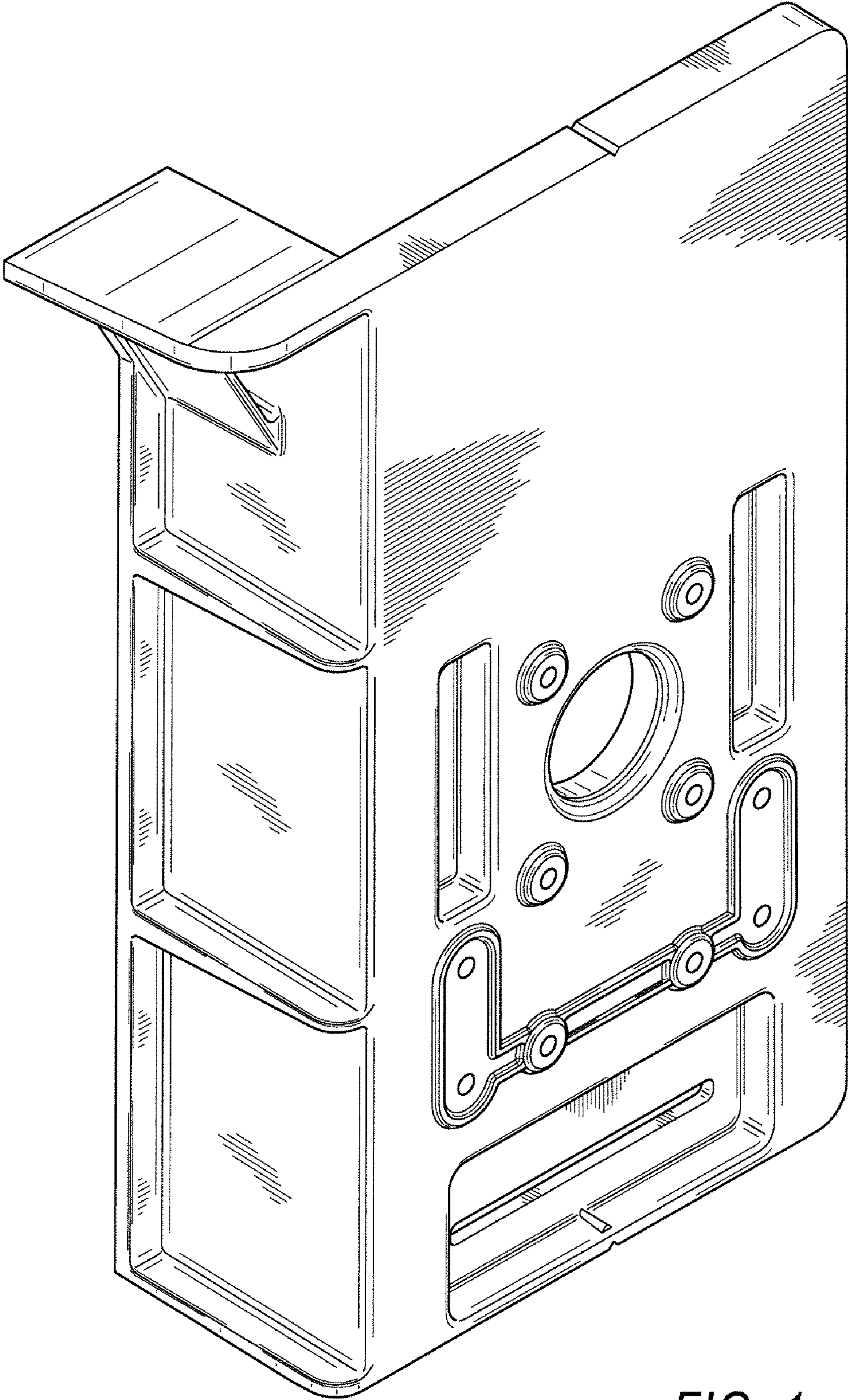


FIG. 1

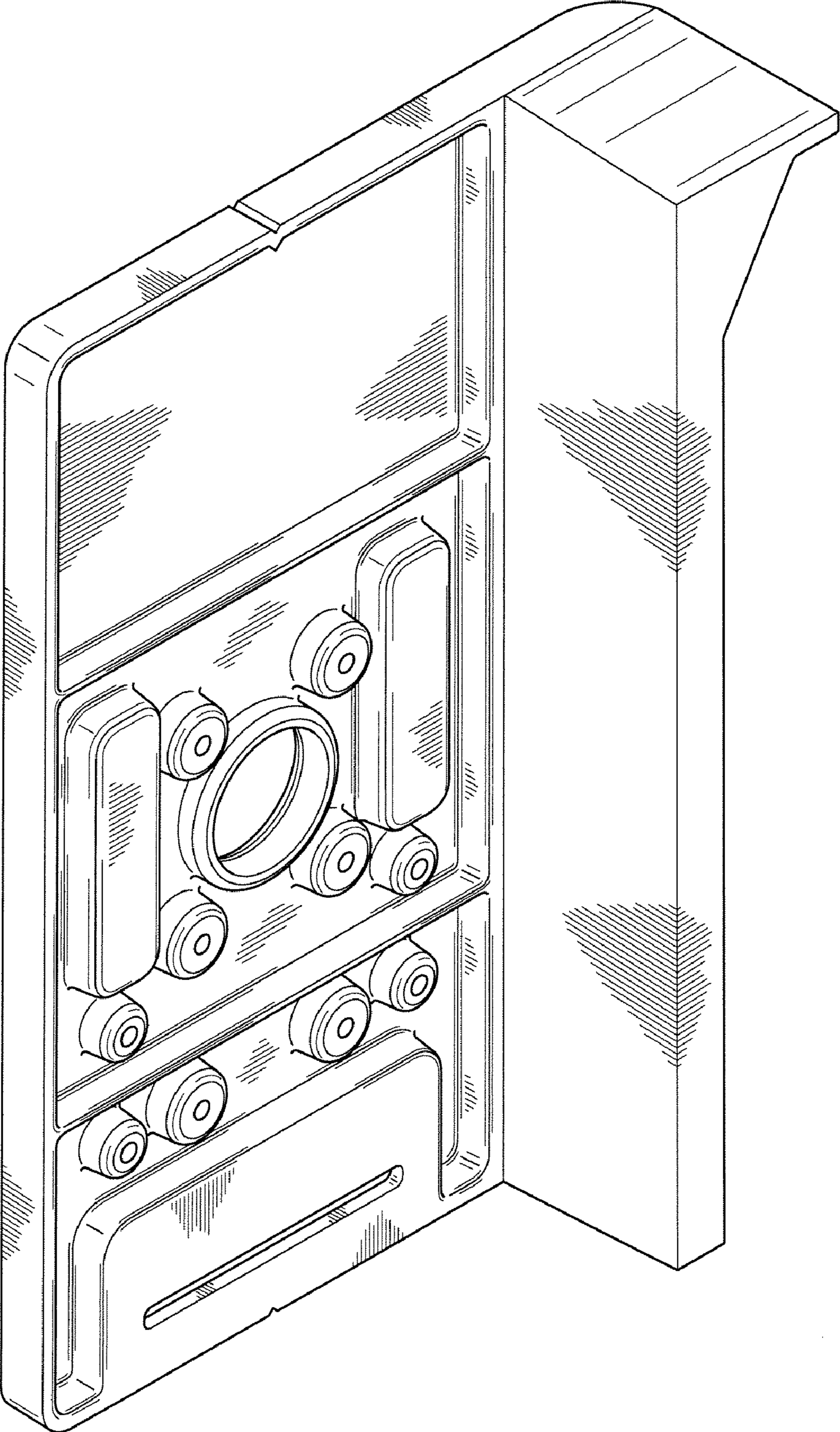


FIG. 2

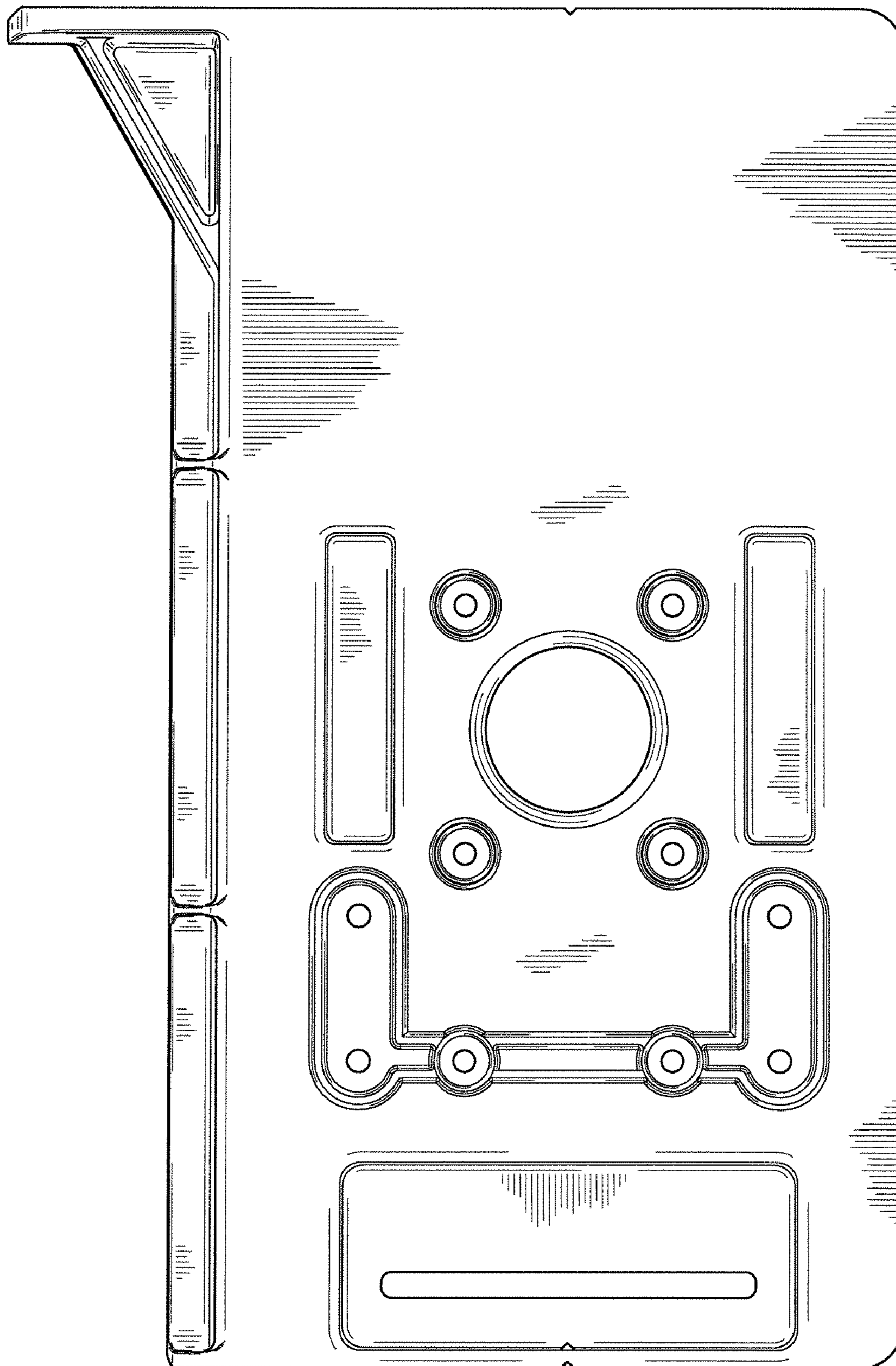


FIG. 3

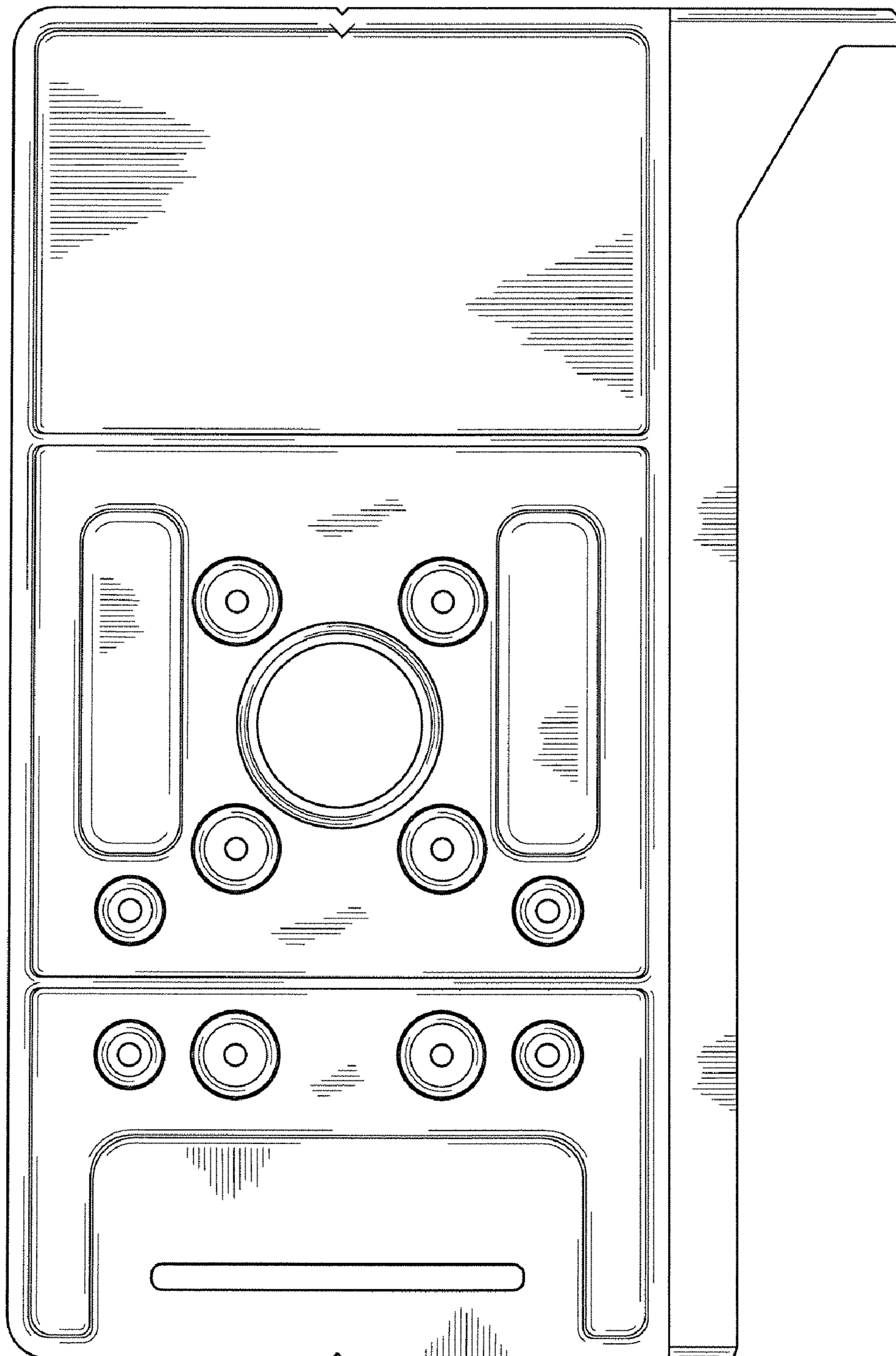


FIG. 4

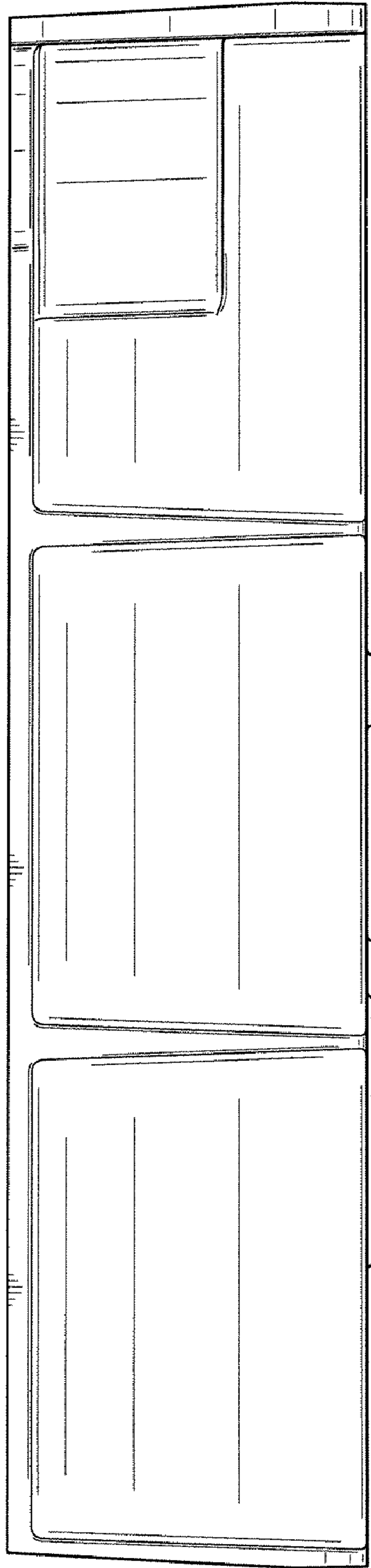


FIG. 5

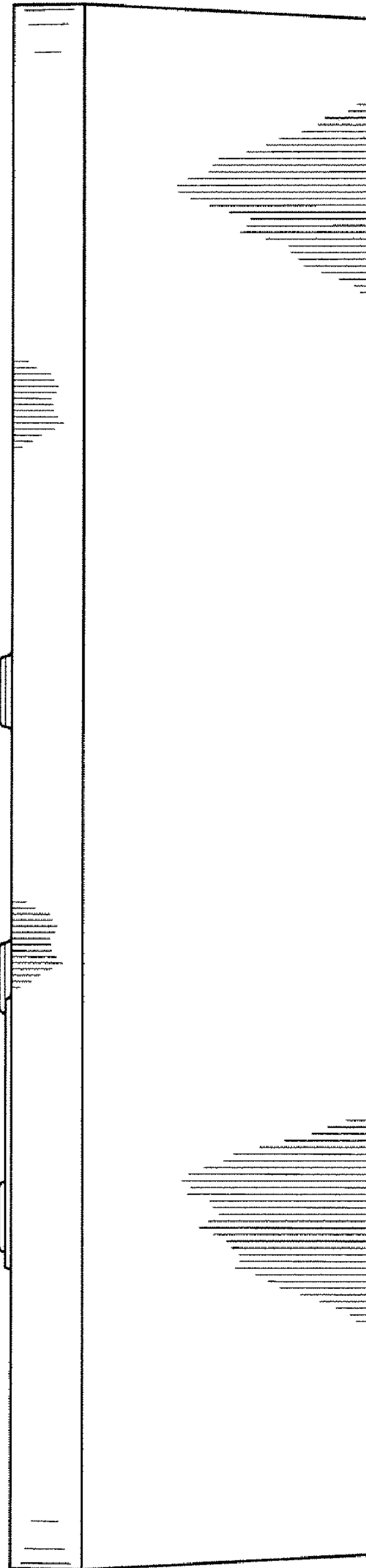


FIG. 6

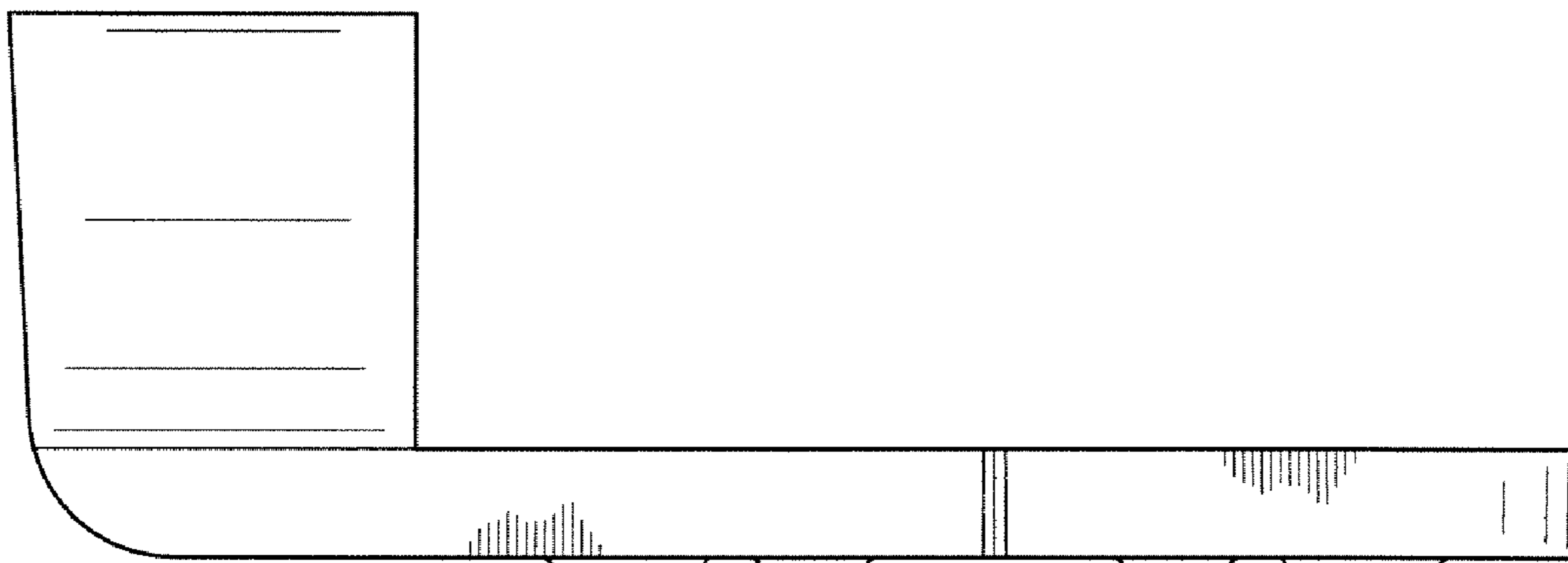


FIG. 7

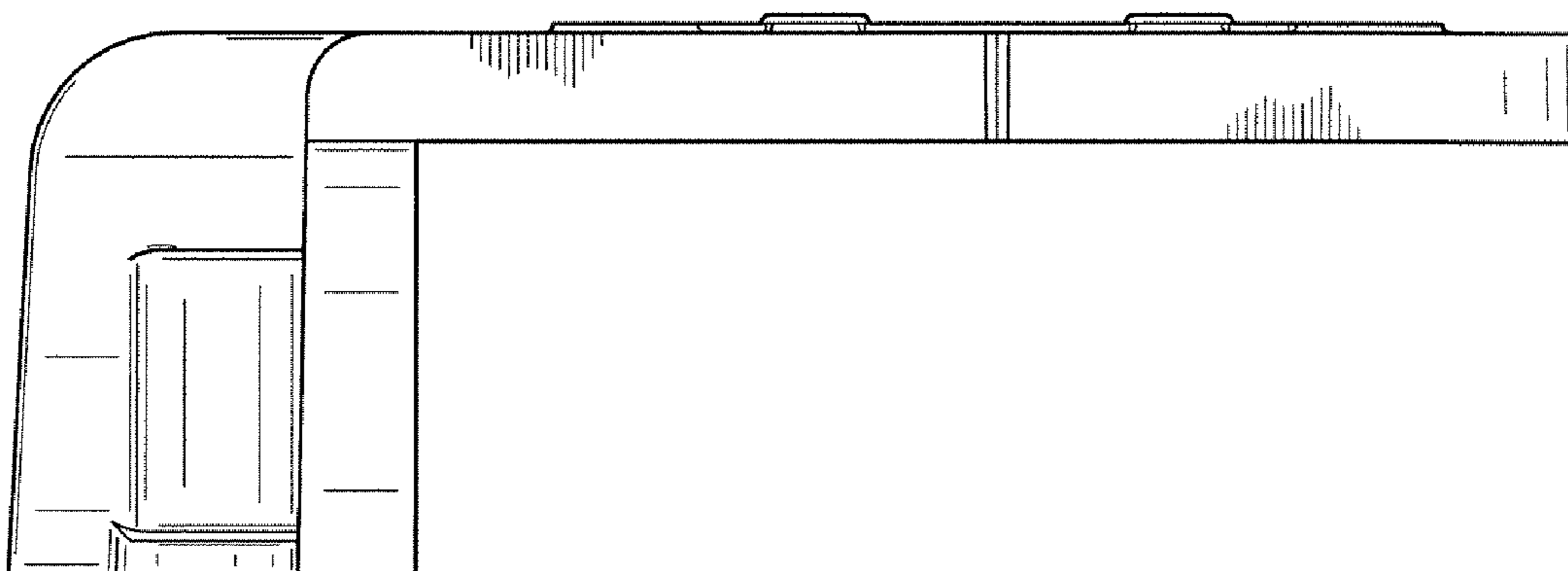


FIG. 8