

US00D571232S

(12) **United States Design Patent**
Lawler et al.

(10) **Patent No.:** **US D571,232 S**
(45) **Date of Patent:** **** Jun. 17, 2008**

(54) **THERMOMETER**

(75) Inventors: **Matthew H. Lawler**, Homerglen, IL (US); **Paul D. Nizzere**, Darien, IL (US); **Carla DeYoung**, Joliet, IL (US); **Chris Kulujian**, Chicago, IL (US); **Morad Ghassemian**, Oak Park, IL (US)

(73) Assignee: **Rubbermaid Incorporated**, Huntersville, NC (US)

(**) Term: **14 Years**

(21) Appl. No.: **29/295,368**

(22) Filed: **Sep. 27, 2007**

Related U.S. Application Data

(60) Division of application No. 29/251,669, filed on Jan. 11, 2006, which is a continuation of application No. 29/189,433, filed on Sep. 4, 2003, now abandoned.

(51) **LOC (8) Cl.** **10-04**

(52) **U.S. Cl.** **D10/57**

(58) **Field of Classification Search** D10/57;
99/343, 419, 421 TP; 116/216; 374/155,
374/206-210

See application file for complete search history.

(56) **References Cited**

U.S. PATENT DOCUMENTS

1,028,540 A	6/1912	Chatillion	
1,064,971 A	6/1913	Kent	
1,398,318 A	11/1921	Courchene	
1,440,773 A	1/1923	Dykstra	
1,449,254 A	3/1923	Zucker	
1,457,328 A	6/1923	Van Berkel	
1,518,372 A	12/1924	Twiss	
2,276,178 A *	3/1942	Ford	374/155
D201,571 S	7/1965	Freidich	
3,193,031 A	7/1965	Friedrich	
3,228,488 A	1/1966	Coppola	
D216,237 S	12/1969	Levin	

3,481,413 A	12/1969	Coppola
3,786,880 A	1/1974	Artwick
3,921,721 A	11/1975	George
D245,968 S	10/1977	Mox
D245,969 S	10/1977	Mox
4,089,160 A	5/1978	Beaston
D256,103 S	7/1980	Mox
4,265,314 A	5/1981	Tovim
D269,600 S	7/1983	Mox
4,393,565 A	7/1983	Wilson et al.
4,563,008 A	1/1986	Fieldon

(Continued)

OTHER PUBLICATIONS

Frank Edwards, *Wristwatches—A Connoisseur's Guide*, Nov. 18, 1997, 4 pages, A Firefly Book.

(Continued)

Primary Examiner—Antoine D Davis
(74) *Attorney, Agent, or Firm*—Lempia Braidwood LLC

(57) **CLAIM**

The ornamental design for a thermometer, as shown and described.

DESCRIPTION

FIG. 1 is a right side perspective view showing our new design for a thermometer.

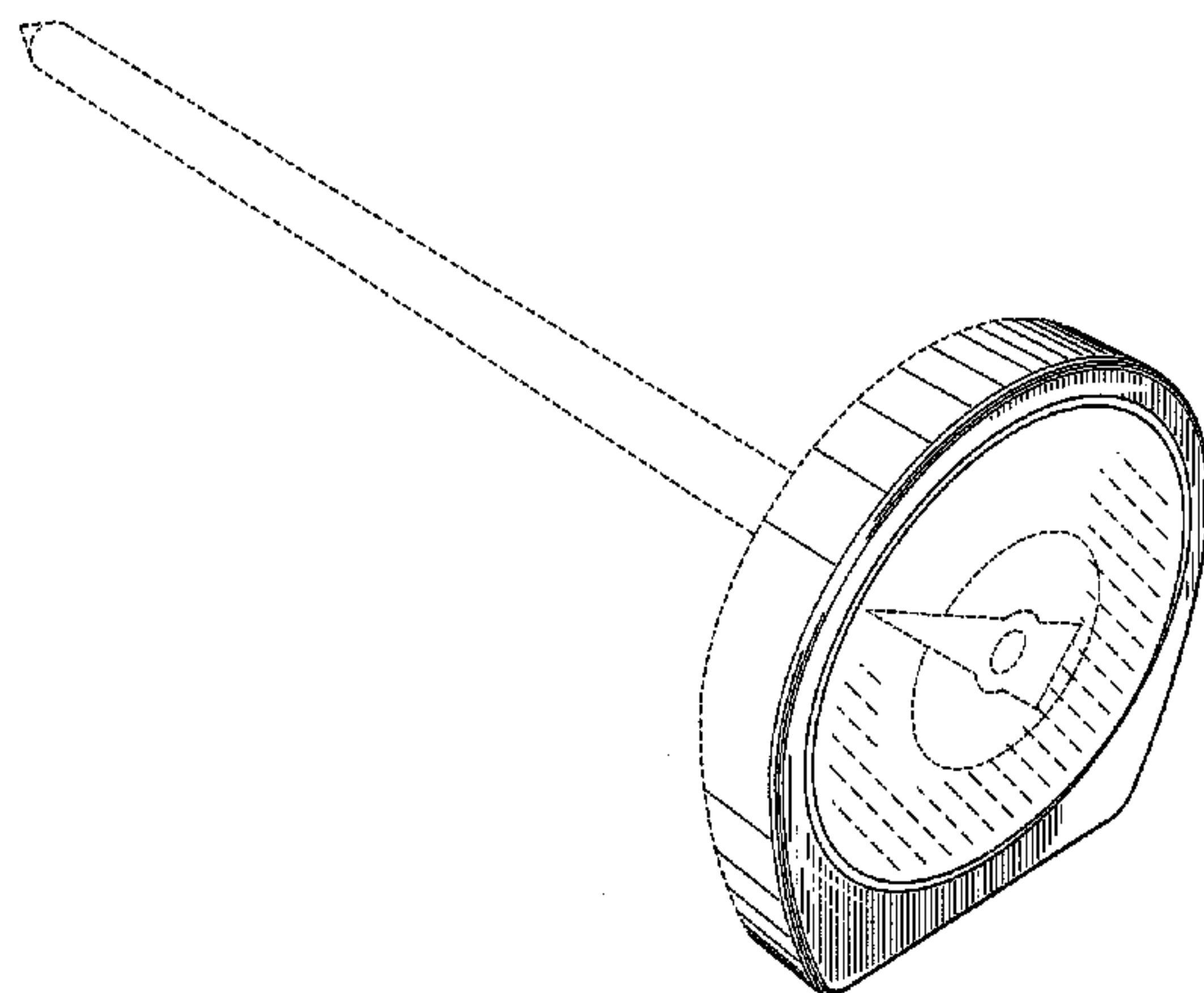
FIG. 2 is a front view of the thermometer shown in FIG. 1.

FIG. 3 is a left side view of the thermometer shown in FIG. 1, the right side being a mirror image thereof; and,

FIG. 4 is a bottom view of the thermometer shown in FIG. 1.

The subject matter shown in dashed lines is for illustrative purposes only and forms no part of the claimed design.

1 Claim, 2 Drawing Sheets



US D571,232 S

Page 2

U.S. PATENT DOCUMENTS

4,595,301	A *	6/1986	Taylor	374/207	D450,978	S	11/2001	Smith		
4,813,145	A	3/1989	Josey			6,467,548	B1	10/2002	Rynningen		
4,848,495	A	7/1989	Hayashi			D466,362	S	12/2002	Moore		
4,904,845	A	2/1990	Wonka			6,497,292	B2	12/2002	Rovelli		
D309,868	S	8/1990	Busse			6,502,501	B1 *	1/2003	Simon	99/345
4,976,409	A	12/1990	Hansen			6,566,614	B1	5/2003	Fluckiger		
5,214,815	A	6/1993	Agbodoe et al.			6,588,466	B1	7/2003	Lohr		
5,239,327	A	8/1993	Frank			D487,022	S *	2/2004	Mayer et al.	D10/57
5,283,854	A	2/1994	Schiebelhuth			6,736,086	B2 *	5/2004	Kaiser et al.	116/216
5,303,777	A	4/1994	Zook			6,945,693	B2 *	9/2005	Kaiser et al.	374/187
D347,966	S	6/1994	Doggett			2002/0195257	A1	12/2002	Poynton		
D355,713	S	2/1995	Kelly								
5,557,809	A	9/1996	Adams								
6,026,593	A	2/2000	Harmon-Weiss et al.								
D428,126	S	7/2000	Hulsebus et al.								
6,132,057	A	10/2000	Williams								
6,244,352	B1	6/2001	Luber								
6,299,350	B1 *	10/2001	Booth et al.	374/208						

OTHER PUBLICATIONS

Adrian Frutiger, Signs and Symbols—Their Design and Meaning, 3 pages.
Font Bureau—Type Specimens, 1995, 2 pages, The Font Bureau, Inc., Boston Massachusetts.

* cited by examiner

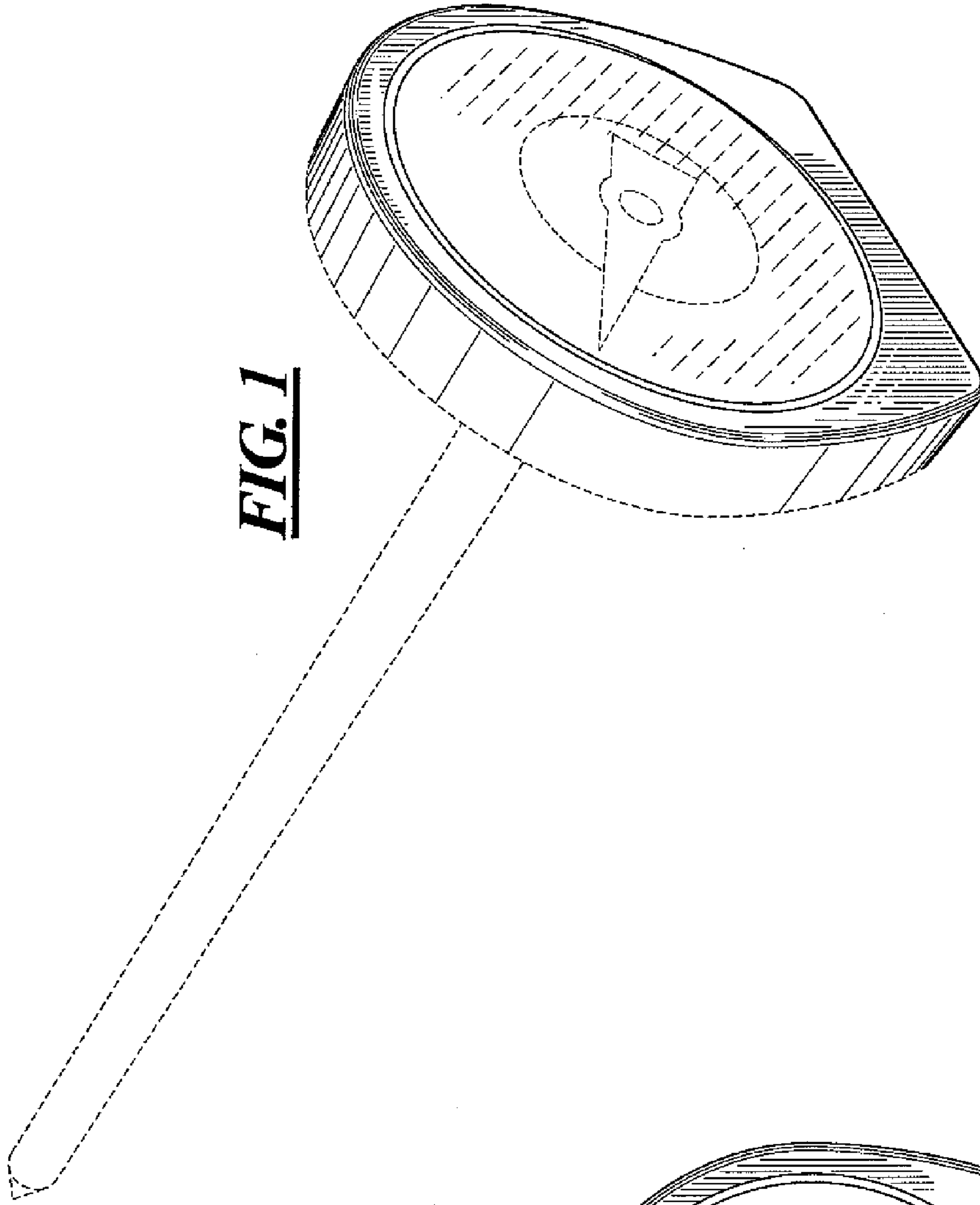


FIG. 2

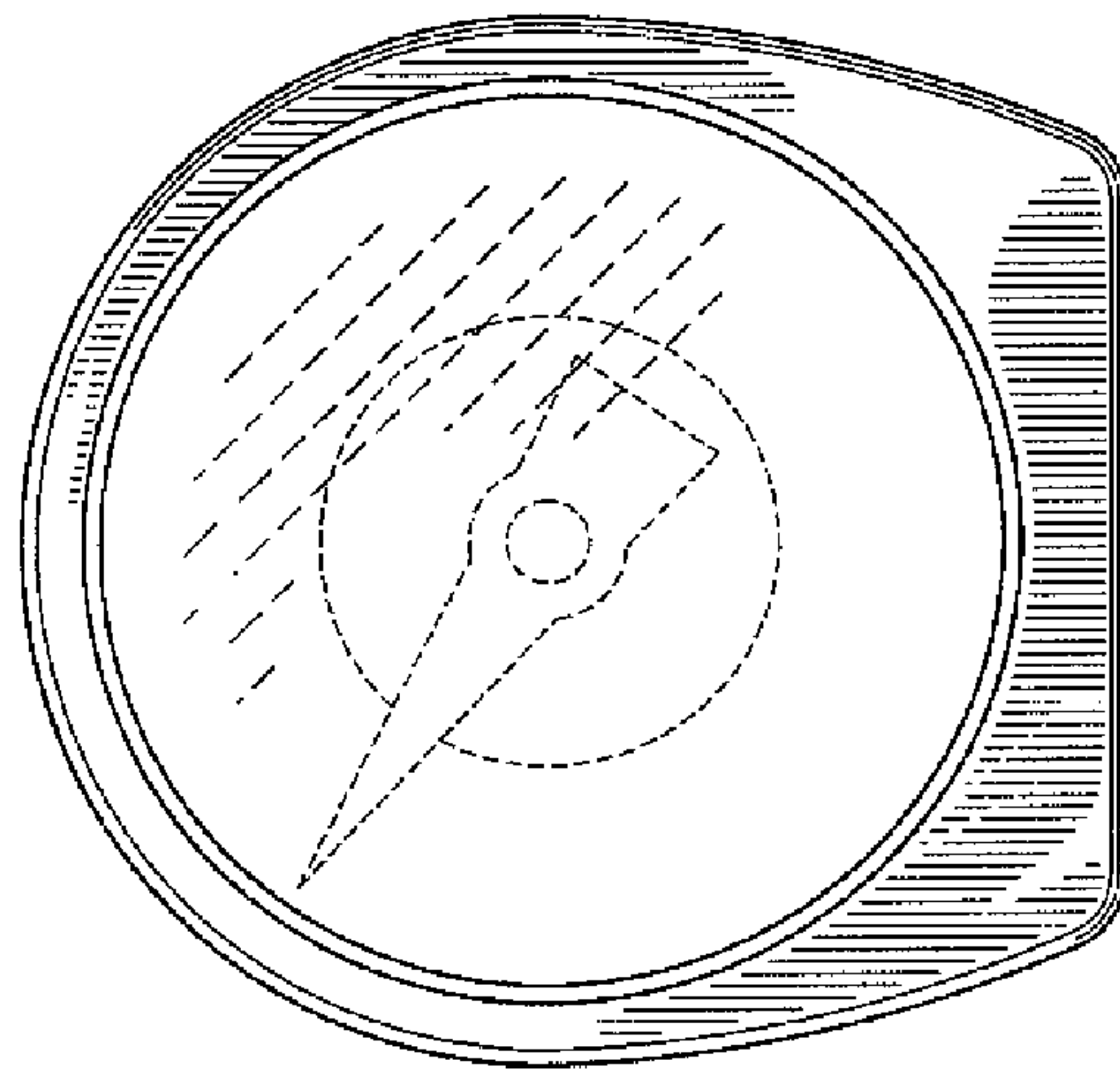


FIG. 3

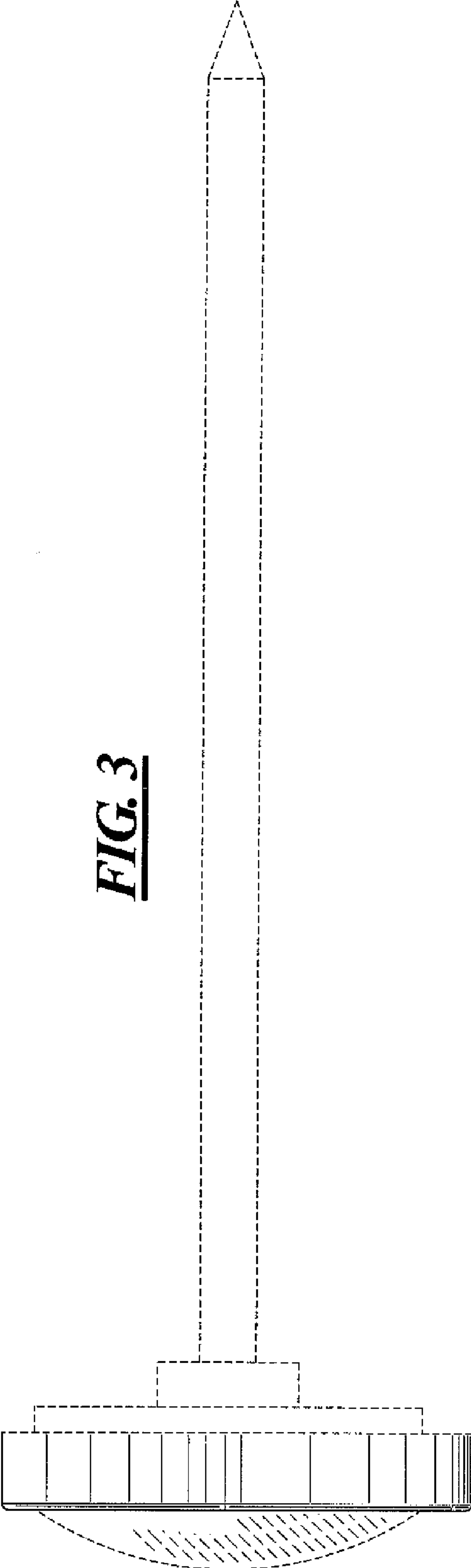


FIG. 4

