

US00D571227S

(12) **United States Design Patent**
Pereira et al.

(10) **Patent No.:** **US D571,227 S**
(45) **Date of Patent:** **** Jun. 17, 2008**

(54) **MODULAR CONTAINER**

(75) Inventors: **Luis Quental Medeiros Pereira**, Ponta Delgada (PT); **Ana Cristina Leite Oliveira**, Lisbon (PT); **Manuel Maria Rodrigues**, Carnaxide (PT)

(73) Assignee: **Quizcamp-Fabrico E Comercio de Produtos Alimentares, S.A.**, Lisbon (PT)

(**) Term: **14 Years**

(21) Appl. No.: **29/277,368**

(22) Filed: **Feb. 22, 2007**

(30) **Foreign Application Priority Data**

Sep. 21, 2006 (EM) 000592738-0001
Sep. 21, 2006 (EM) 000592738-0002

(51) **LOC (8) Cl.** **09-03**

(52) **U.S. Cl.** **D9/737**

(58) **Field of Classification Search** D9/414,
D9/417, 420, 421, 424-426, 430-433, 737,
D9/478, 479, 756, 759, 760, 761; D7/549,
D7/553.2, 590, 601, 602, 609, 610, 612, 614,
D7/629; D3/201, 203.1, 203.2, 203.3; 206/45.28,
206/232, 278, 457, 509, 511, 556, 558, 631,
206/633, 820; 220/4.23, 4.27, 23.4, 23.6,
220/500, 556, 666; 229/120.02, 120.011,
229/123.1, 125.17, 125.35, 131.1, 160, 162.1,
229/162.3, 406, 906; 426/114, 115, 119,
426/120, 393, 394; D24/229

See application file for complete search history.

(56) **References Cited**

U.S. PATENT DOCUMENTS

3,021,001 A * 2/1962 Donofrio 220/23.4

D227,552 S * 7/1973 Bridges D3/203.3
D236,881 S * 9/1975 Mitchell D9/759
D240,506 S * 7/1976 Congleton D9/756
D241,015 S * 8/1976 Congleton D9/756
D241,622 S * 9/1976 Smith D9/760
D280,933 S * 10/1985 McLaughlin D24/229
D348,390 S * 7/1994 Van Ness D9/760
D420,283 S * 2/2000 Reichel D9/759
D430,013 S * 8/2000 Shurtleff et al. D9/749

* cited by examiner

Primary Examiner—Stella M. Reid

Assistant Examiner—Shanda C Hill

(74) *Attorney, Agent, or Firm*—Hirsch Simpson LLC

(57) **CLAIM**

The ornamental design for a modular container, as shown and described.

DESCRIPTION

FIG. 1 is a perspective view of a modular container showing our new design;

FIG. 2 is a front view thereof;

FIG. 3 is a back view thereof;

FIG. 4 is a right side view thereof;

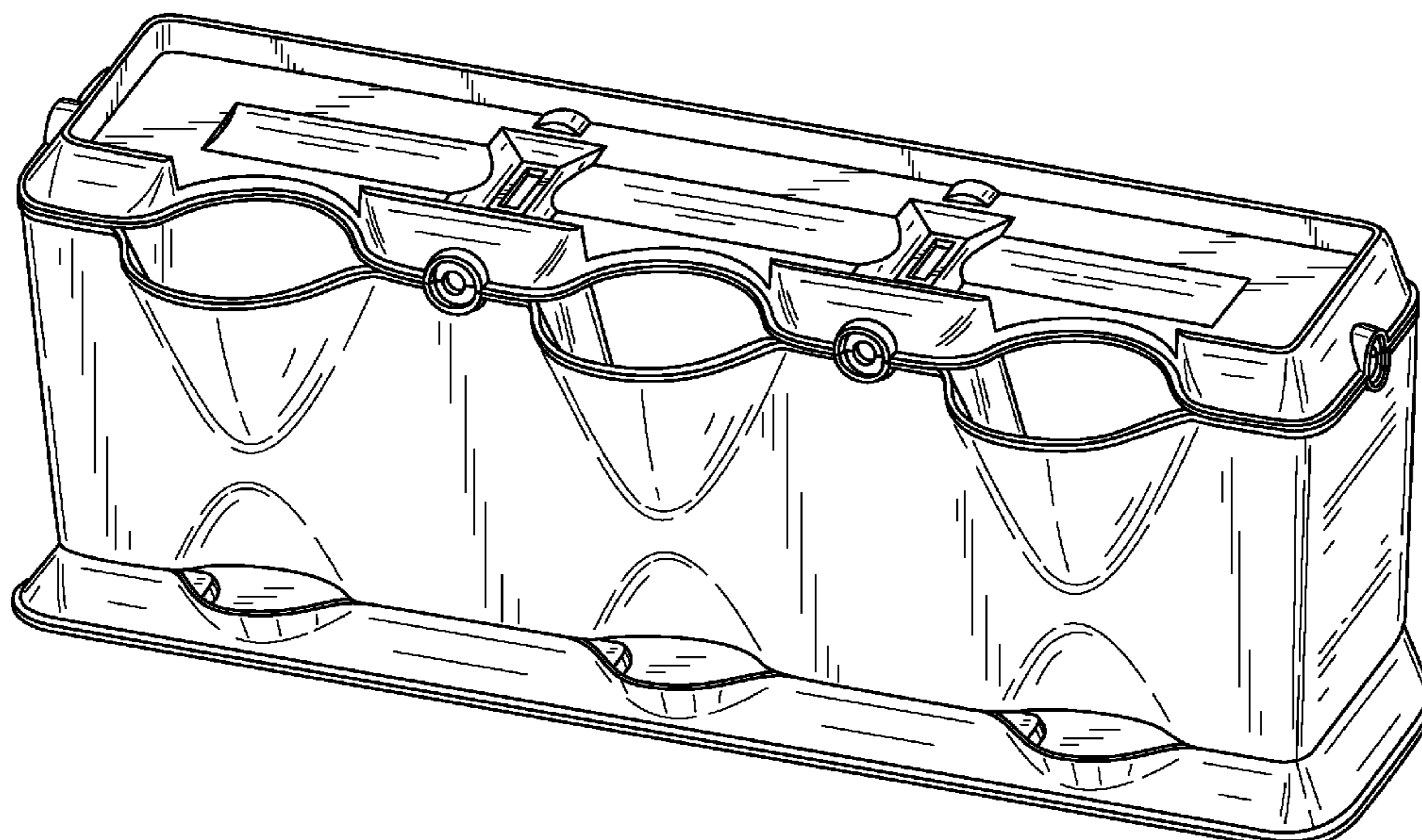
FIG. 5 is a left side view thereof;

FIG. 6 is a top view thereof;

FIG. 7 is a bottom view thereof; and,

FIG. 8 is an exploded perspective view thereof.

1 Claim, 5 Drawing Sheets



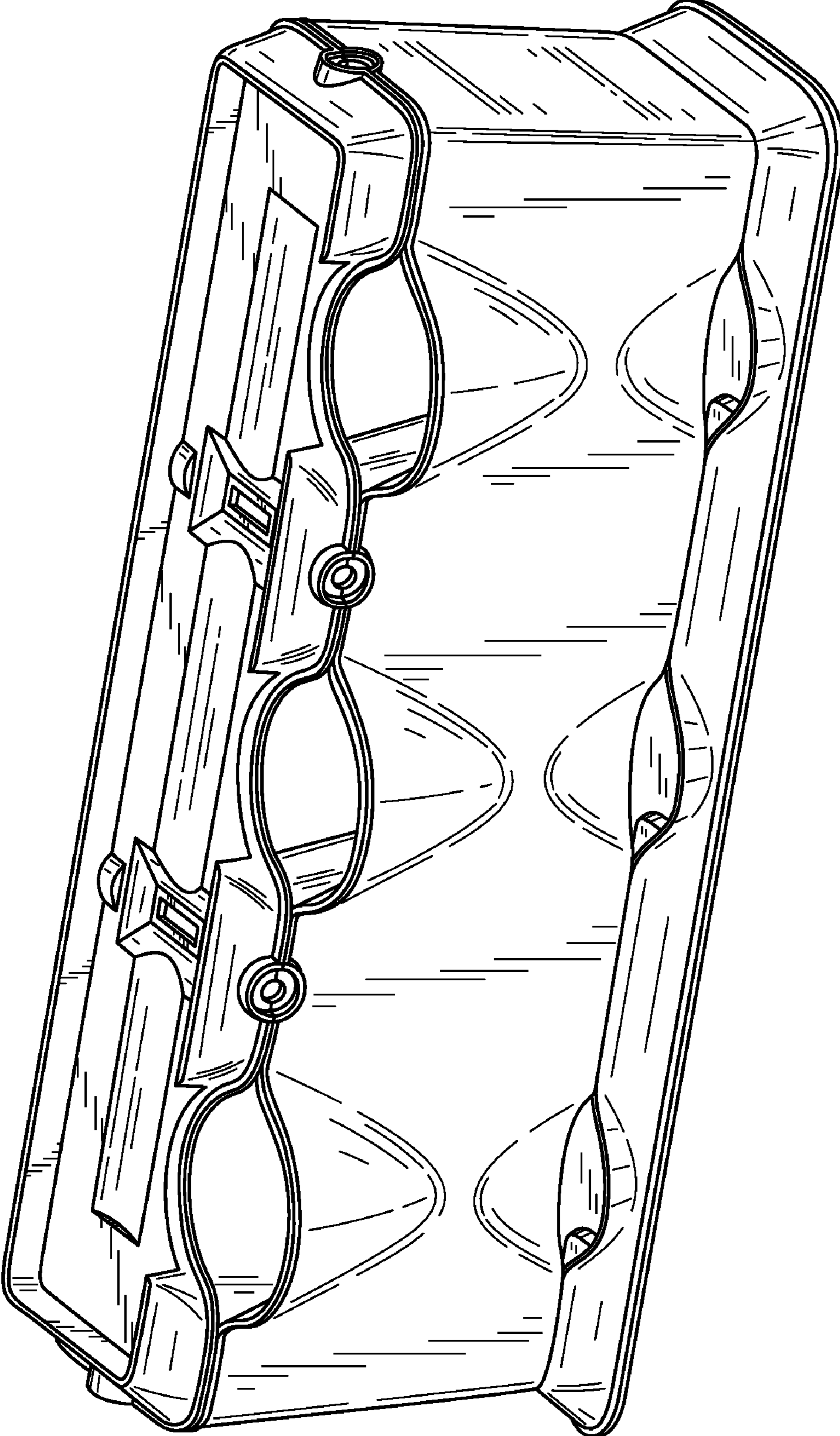


FIG.1

FIG.2

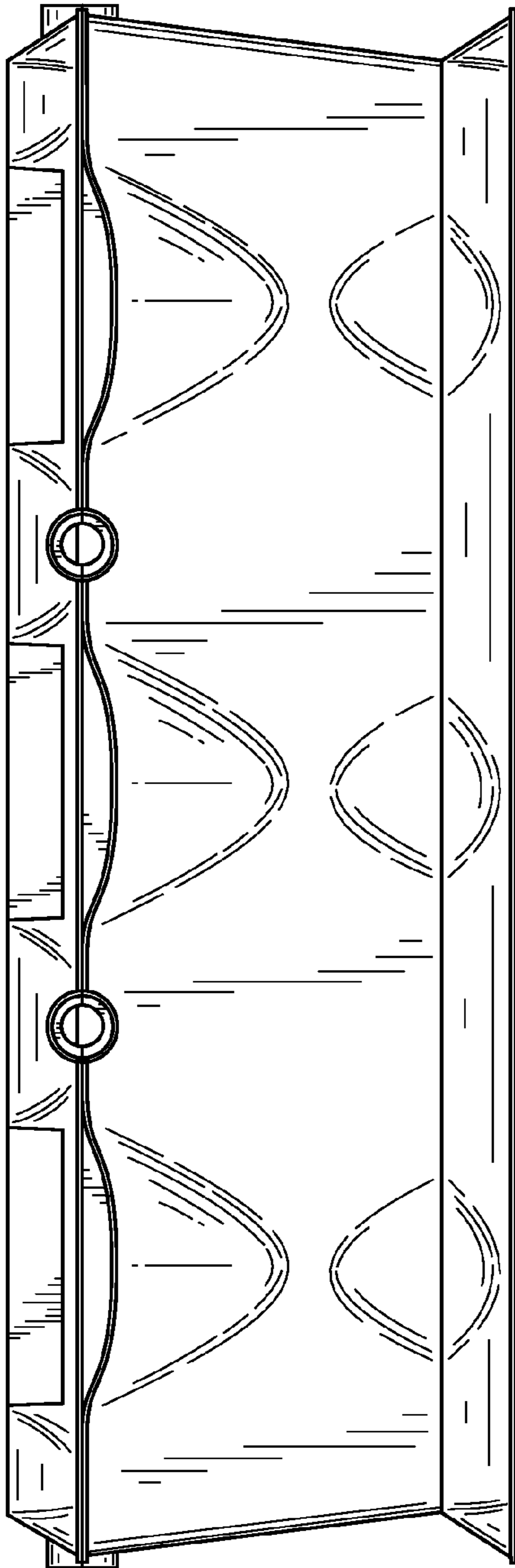
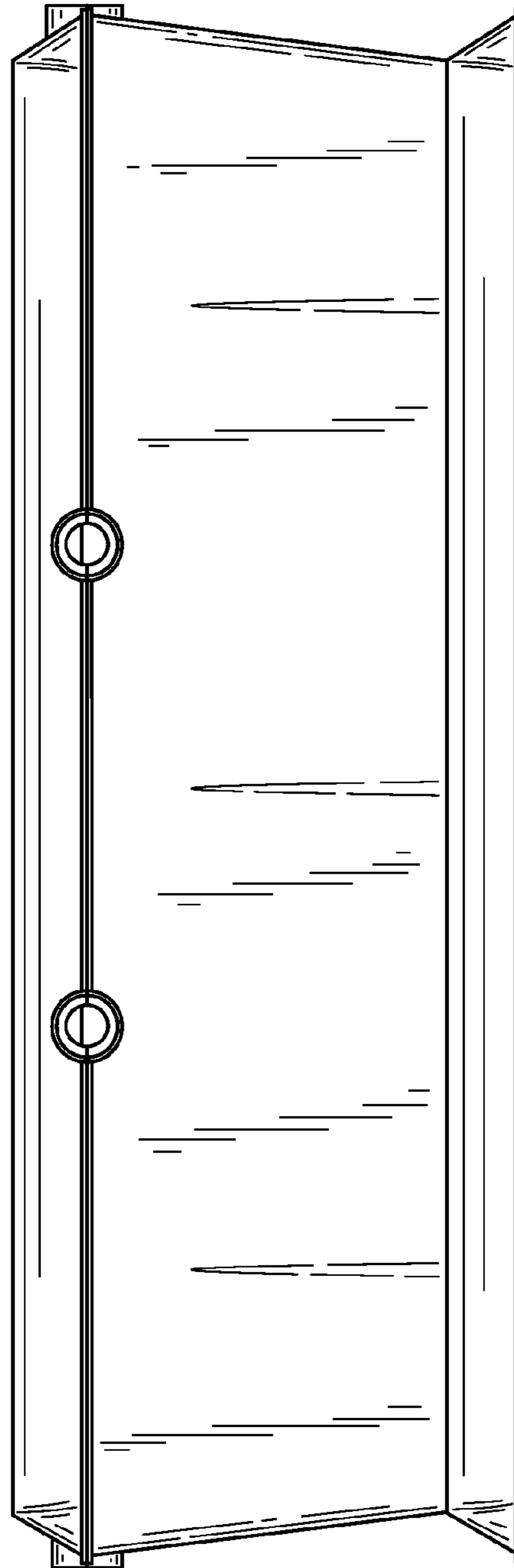


FIG.3



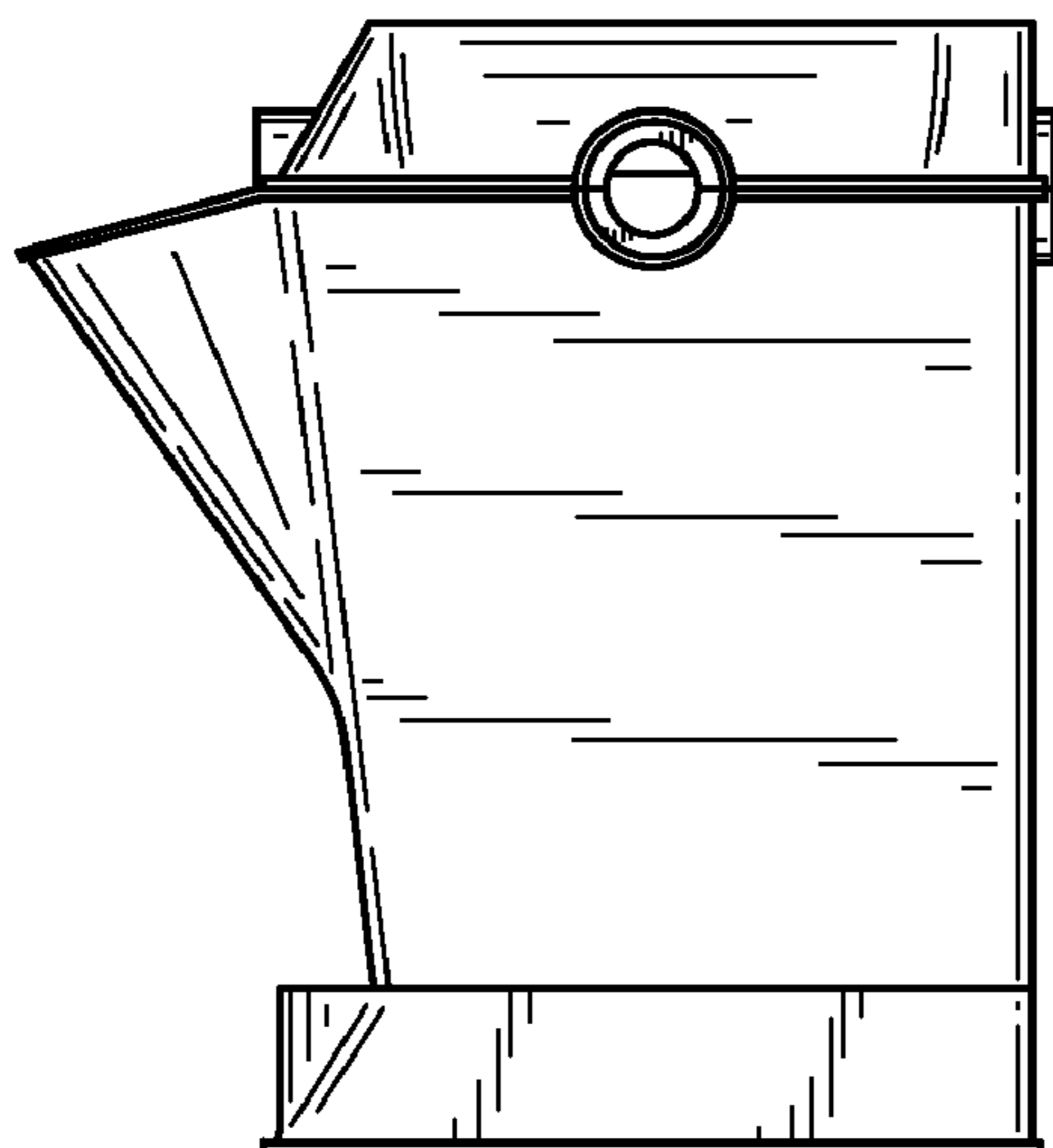


FIG.4

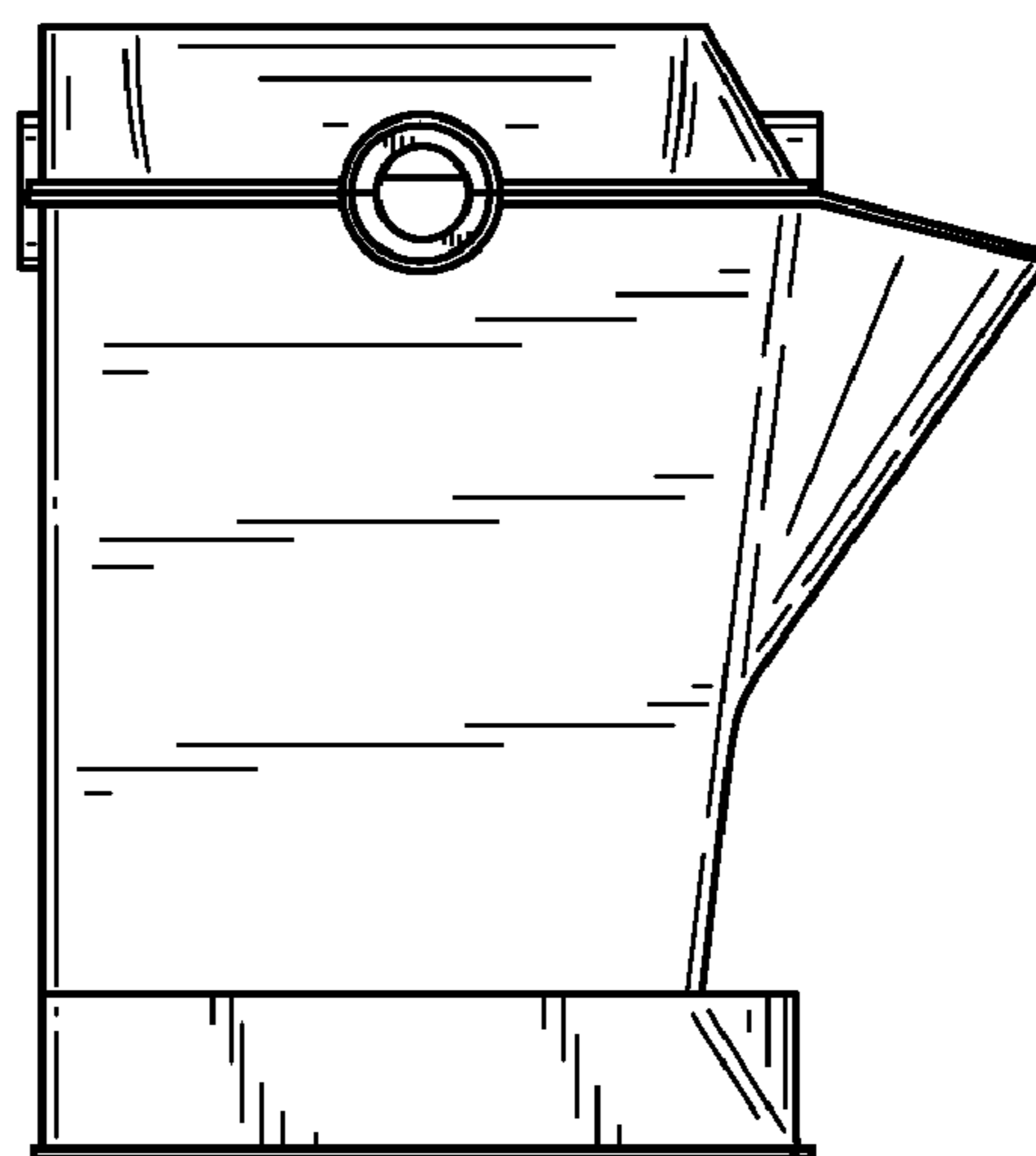


FIG.5

FIG.6

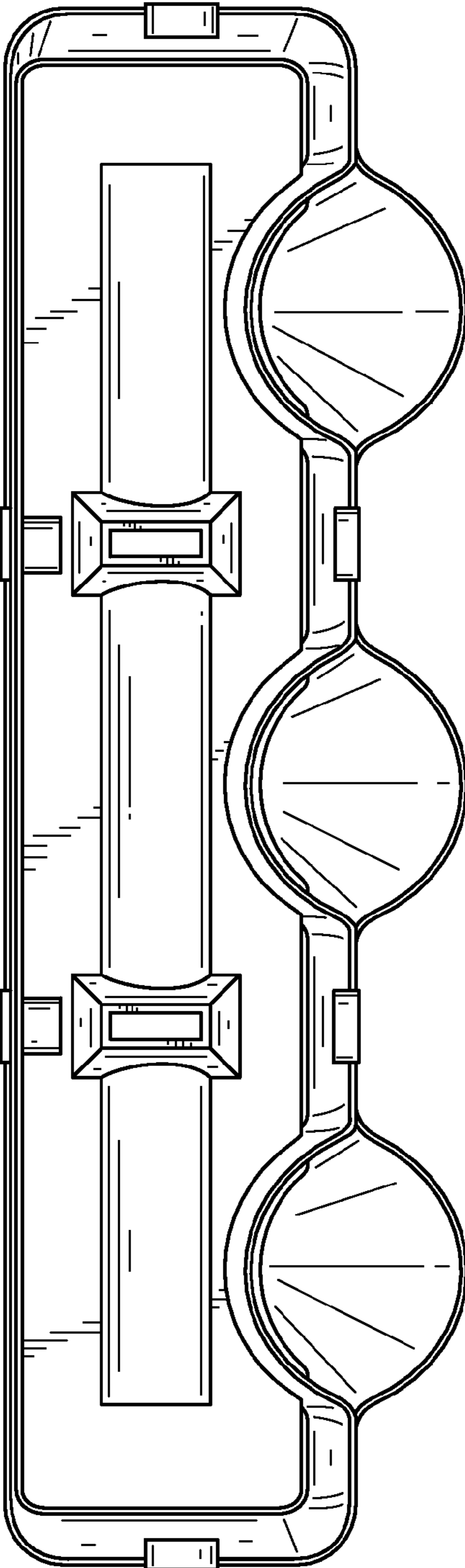


FIG.7

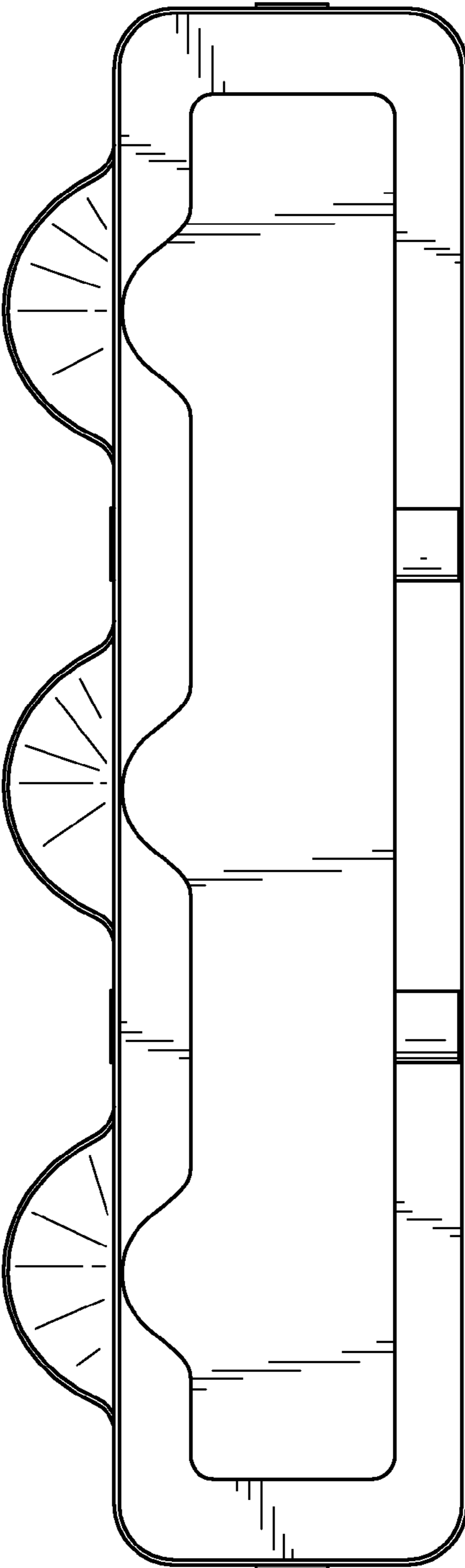


FIG. 8

