



US00D571225S

(12) **United States Design Patent**  
**Andersen et al.**

(10) **Patent No.:** **US D571,225 S**  
(45) **Date of Patent:** **\*\* Jun. 17, 2008**

(54) **SPONGE WITH BOTTLE**

(75) Inventors: **Frederik Andersen**, København (DK);  
**Jacob Thuesen Johansen**, København (DK);  
**Nille Halding**, København (DK);  
**Ida Marie Nissen**, Frederiksberg (DK);  
**Mads Kjøller Damkjaer**, København (DK)

(73) Assignee: **AM Denmark A/S**, Kokkedal (DK)

(\*\*) Term: **14 Years**

(21) Appl. No.: **29/267,143**

(22) Filed: **Oct. 6, 2006**

(30) **Foreign Application Priority Data**

Apr. 24, 2006 (EM) ..... 000517818

(51) **LOC (8) Cl.** ..... **09-03**

(52) **U.S. Cl.** ..... **D9/719**

(58) **Field of Classification Search** ..... D9/682,  
D9/685, 686, 687, 715, 718, 719, 529, 694,  
D9/725; D19/70; D28/8, 63, 5, 7, 91.1;  
D32/40, 42, 35; 15/229.11, 244.1, 244.4,  
15/116.2, 119.2; 222/312, 251, 320, 321.1,  
222/321.7, 621.8, 321.9, 372, 383.1, 386,  
222/402.1; D24/119; 215/370-373, 379-386,  
215/390, 400; 401/132, 205; D4/114

See application file for complete search history.

(56) **References Cited**

**U.S. PATENT DOCUMENTS**

D222,823 S \* 1/1972 Newman ..... D9/687

D251,826 S \* 5/1979 Hartung ..... D9/718  
D270,956 S \* 10/1983 Martinez ..... D28/91.1  
D330,249 S \* 10/1992 Mitchell ..... D24/119  
D400,788 S \* 11/1998 Lin ..... D9/718  
D473,358 S \* 4/2003 Miller ..... D32/35  
D484,792 S \* 1/2004 Sgariboldi ..... D9/694  
D525,142 S \* 7/2006 Baron ..... D9/682  
2005/0244211 A1 \* 11/2005 Brunner et al. .... 401/132

\* cited by examiner

*Primary Examiner*—Stella M. Reid

*Assistant Examiner*—Shanda C Hill

(74) *Attorney, Agent, or Firm*—Merek, Blackmon & Voorhees, LLC

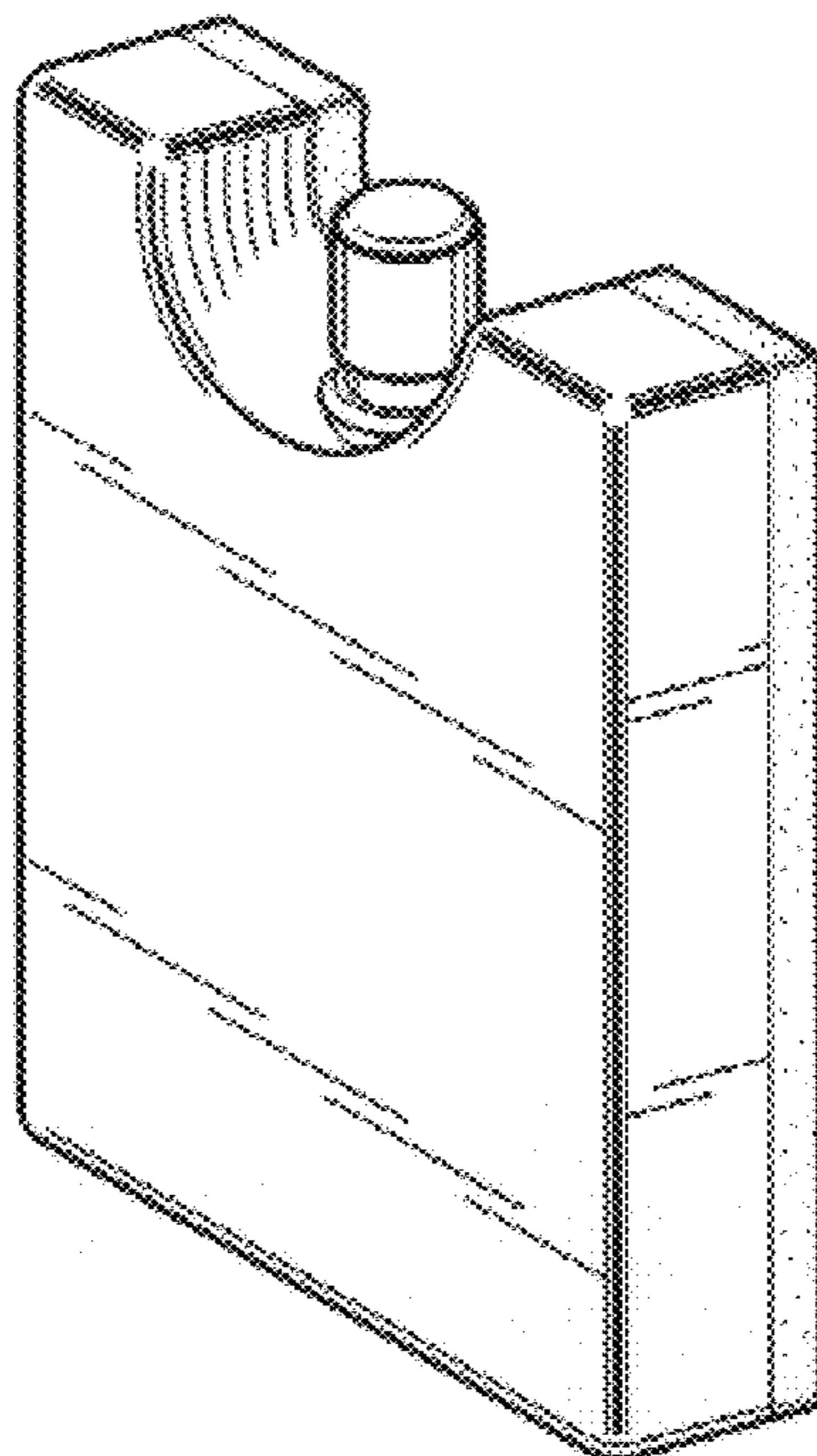
(57) **CLAIM**

The ornamental design for a sponge with bottle, as shown and described.

**DESCRIPTION**

FIG. 1 is a rear elevation thereof;  
FIG. 2 is a front elevation thereof;  
FIG. 3 is a bottom plan thereof;  
FIG. 4 is a top plan thereof;  
FIG. 5 is a left side elevation thereof;  
FIG. 6 is a right side elevation thereof; and,  
FIG. 7 is a top, rear, left side perspective view of a sponge with bottle showing our new design.

**1 Claim, 2 Drawing Sheets**



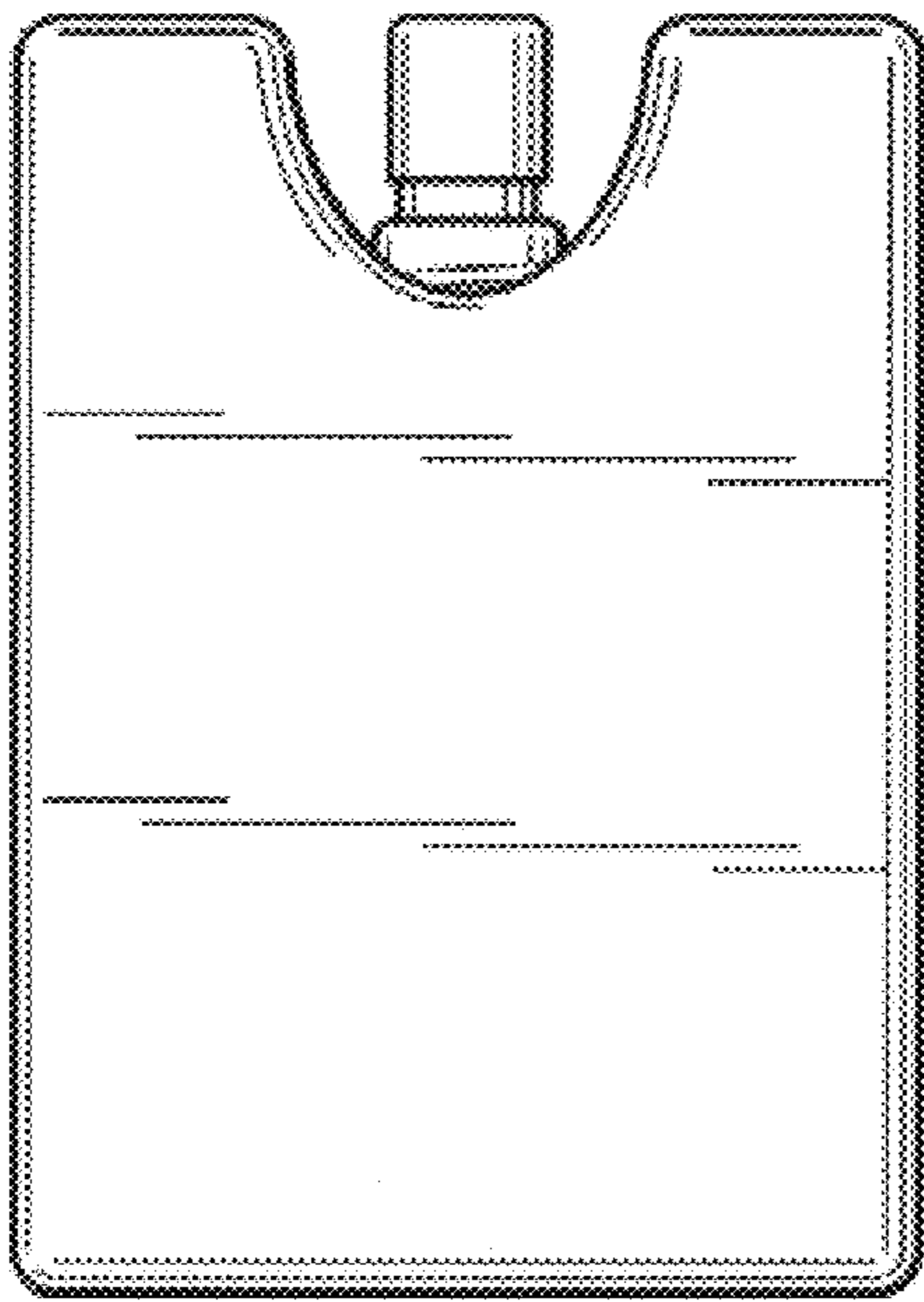


FIG. 1

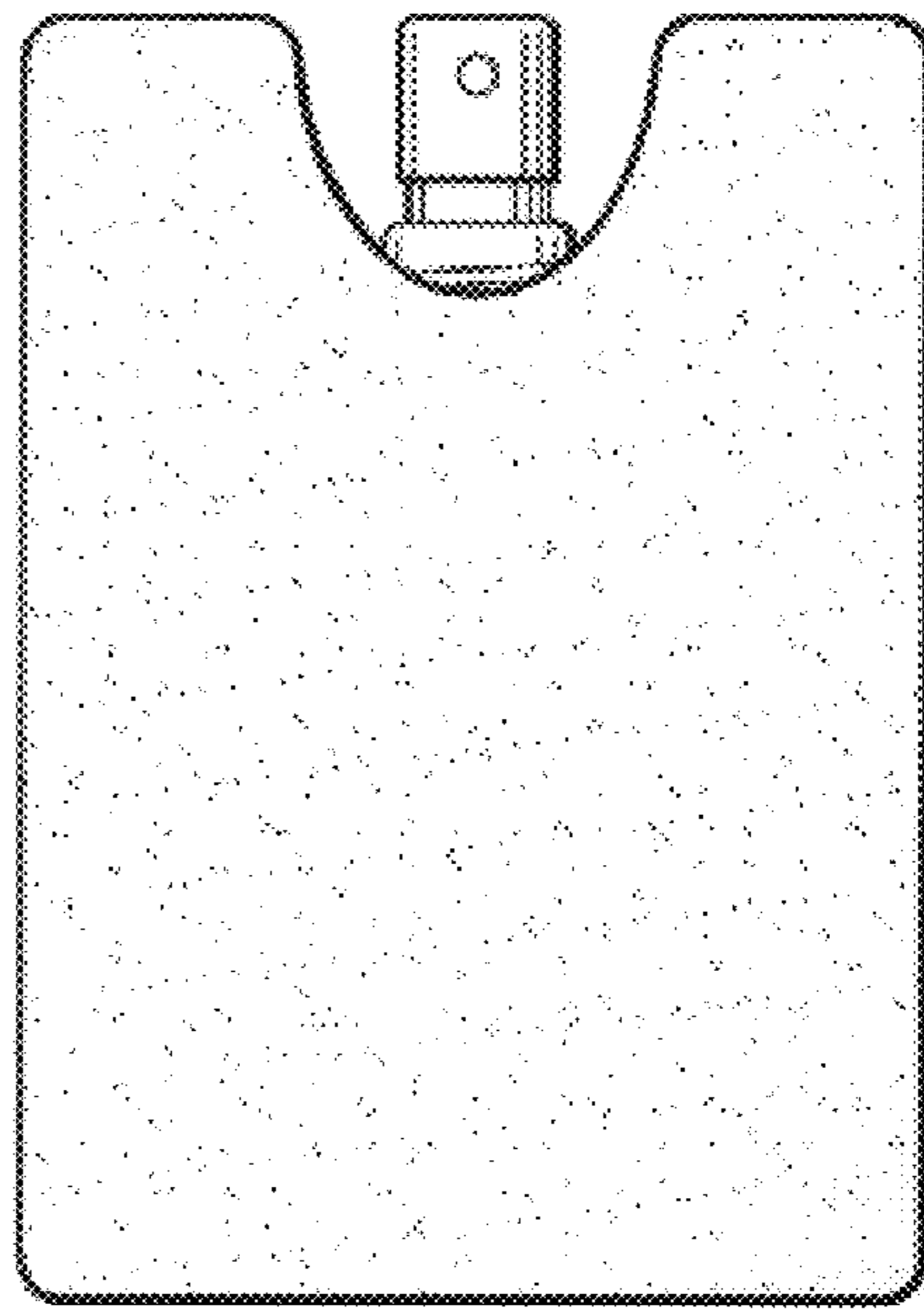


FIG. 2

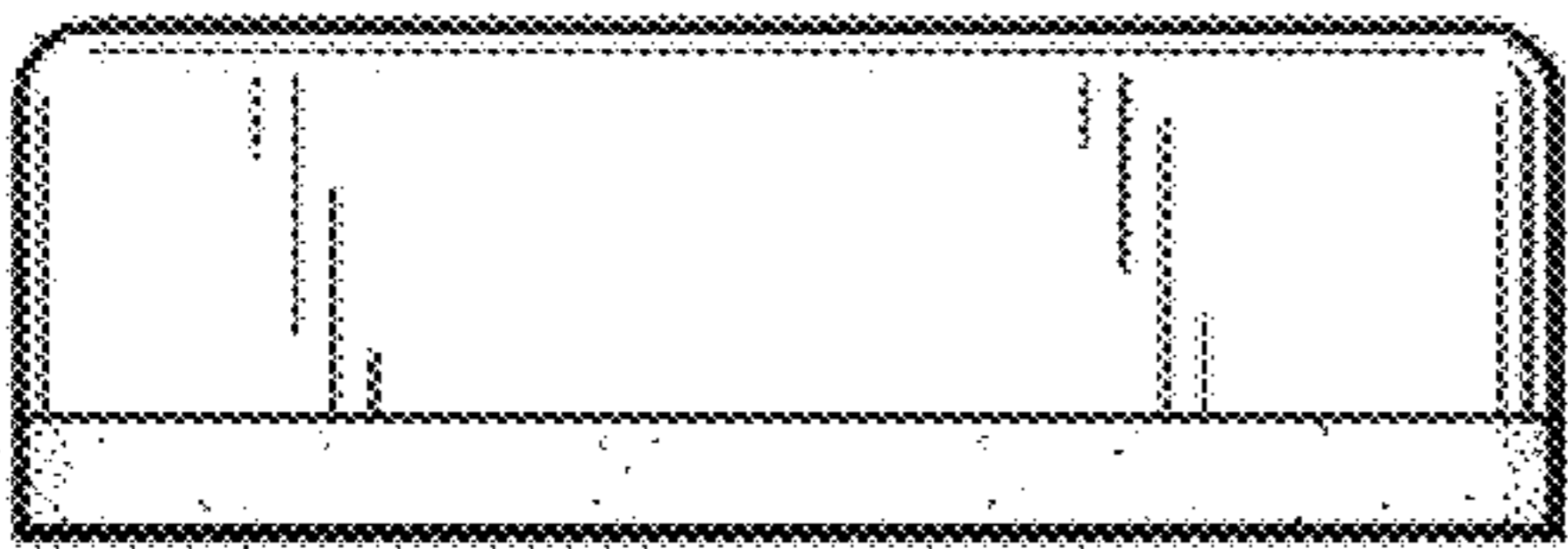


FIG. 3

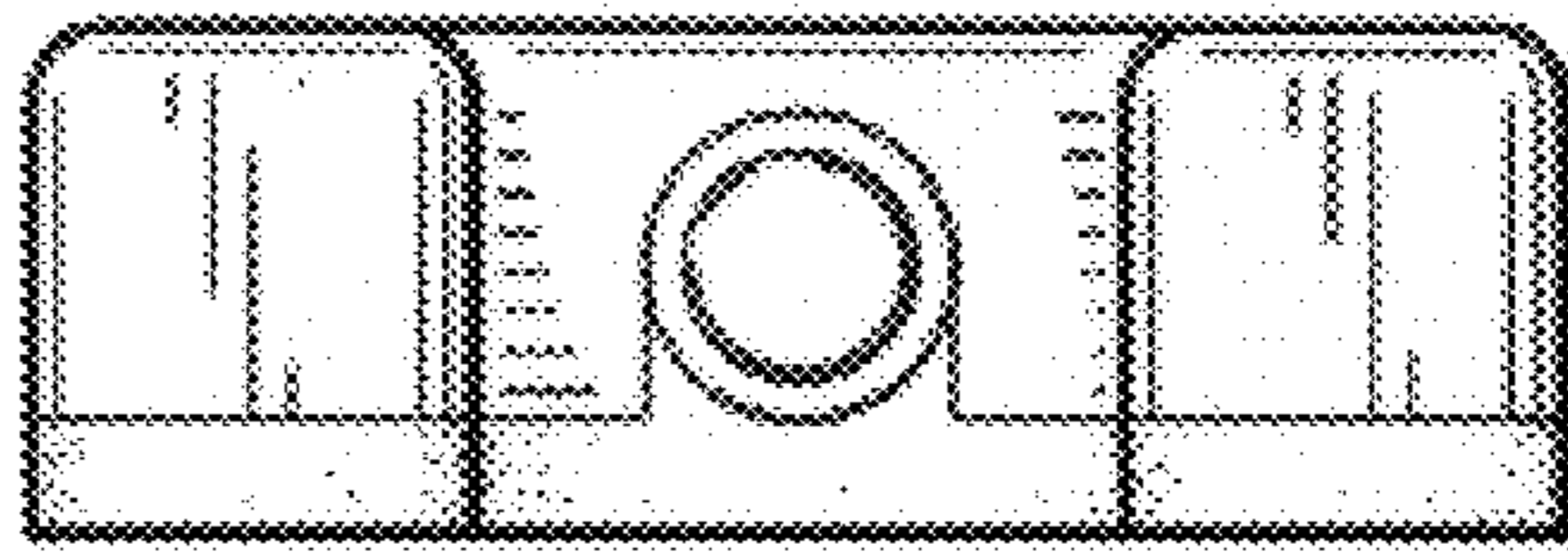


FIG. 4

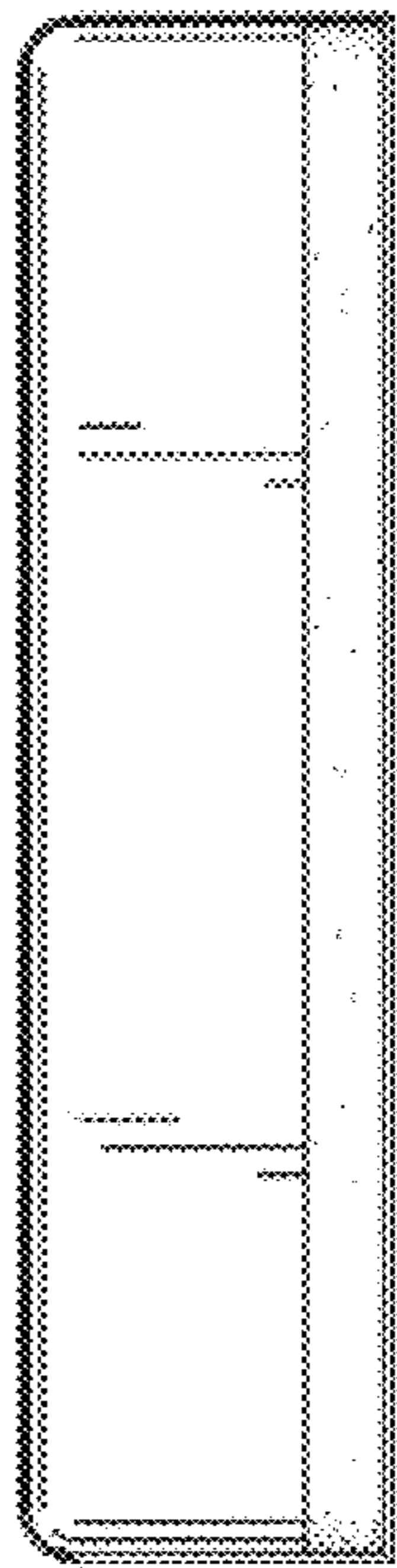


FIG. 5

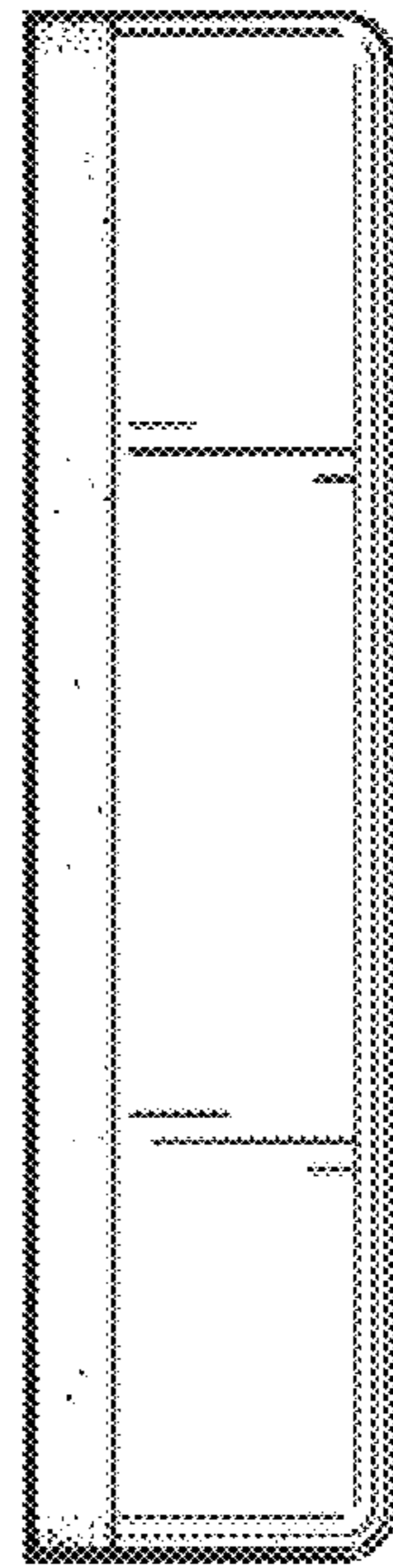


FIG. 6

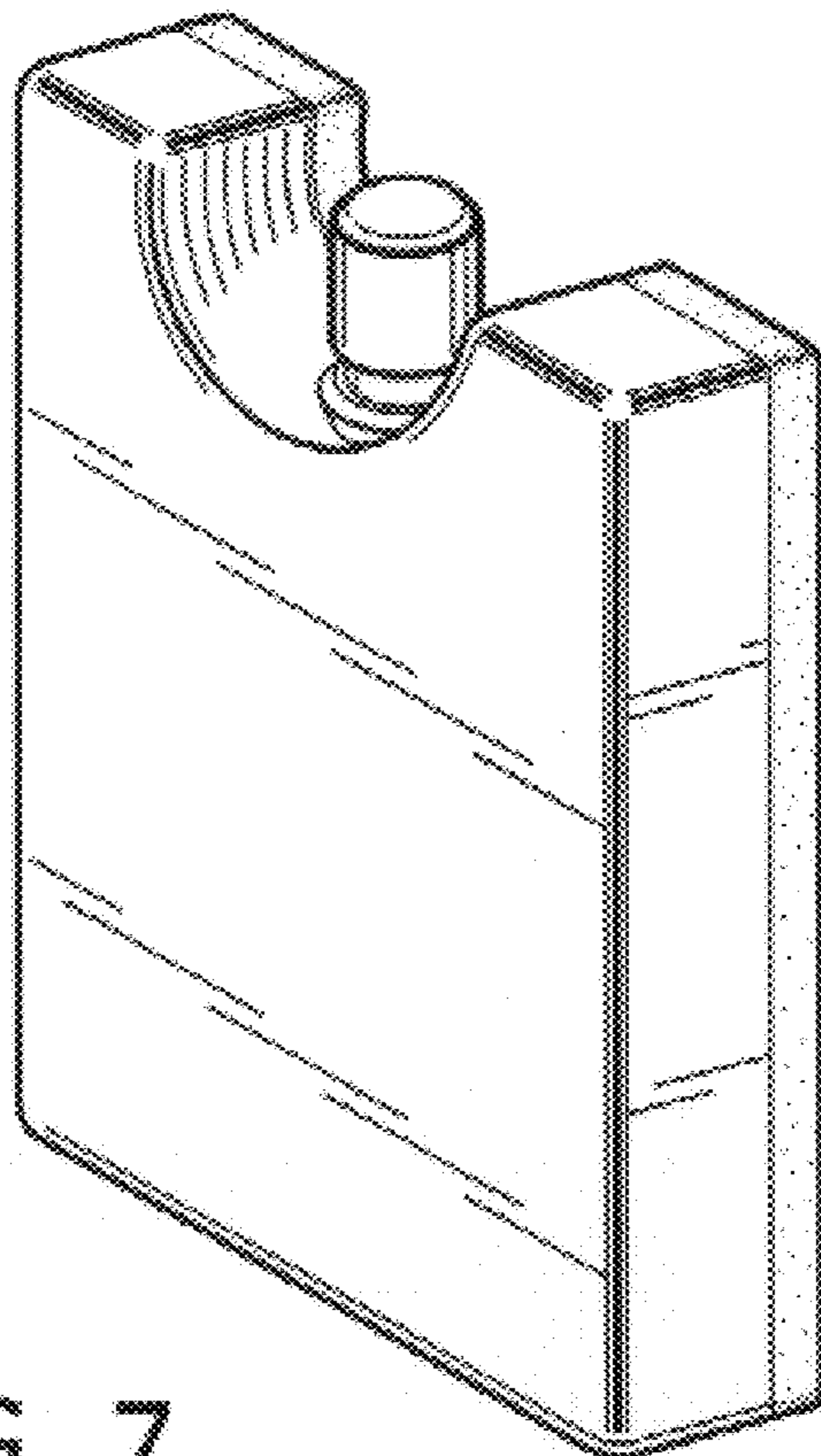


FIG. 7