



US00D571219S

(12) **United States Design Patent**  
**McCoy**

(10) **Patent No.:** **US D571,219 S**  
(45) **Date of Patent:** **\*\* Jun. 17, 2008**

(54) **COSMETIC BOTTLE**

(74) *Attorney, Agent, or Firm*—Cynthia Miller

(75) Inventor: **Kimberly J. McCoy**, Milford, CT (US)

(57) **CLAIM**

(73) Assignee: **ELC Management LLC**, New York, NY (US)

The ornamental design for a cosmetic bottle, substantially as shown and described.

(\*\*) Term: **14 Years**

**DESCRIPTION**

(21) Appl. No.: **29/296,908**

FIG. 1 is a perspective view of a cosmetic bottle showing my new design;

(22) Filed: **Oct. 31, 2007**

FIG. 2 is an exploded perspective view thereof, showing the cap separated from the bottle;

(51) **LOC (8) Cl.** ..... **09-01**

FIG. 3 is a side elevational view thereof, the other side, front and rear elevation views being identical thereto;

(52) **U.S. Cl.** ..... **D9/546; D9/544**

(58) **Field of Classification Search** ..... D9/516, D9/517, 529, 559, 560, 562, 564, 574, 575, D9/453, 537-539, 544, 545, 546, 500, 501, D9/503, 504, 505, 548, 549, 692, 688, 690, D9/691; D24/110, 119, 232; D28/91.1, D28/76

FIG. 4 is a side elevational view thereof, with the cap removed;

FIG. 5 is a top plan view of the cap of the cosmetic bottle shown in FIG. 2;

See application file for complete search history.

FIG. 6 is a bottom plan view thereof;

(56) **References Cited**

**U.S. PATENT DOCUMENTS**

D117,560 S *	11/1939	Grullemans	.....	D9/721
D220,994 S *	6/1971	Doblin	.....	D9/501
D317,717 S *	6/1991	Carol	.....	D9/739
D317,718 S *	6/1991	Carol	.....	D9/739
D329,808 S *	9/1992	Giraud	.....	D9/415
D419,075 S *	1/2000	Gavin	.....	D9/529
D425,794 S *	5/2000	Grossnickle	.....	D9/520
D432,721 S *	10/2000	Lerolle	.....	D28/76

FIG. 7 is an exploded side elevation view of the cosmetic bottle shown in FIG. 2;

FIG. 8 is an exploded side elevation view of the cosmetic bottle shown in FIG. 3, showing the cap and dropper separated from the bottle;

FIG. 9 is a side elevation view of the cap of the cosmetic bottle shown in FIG. 8;

FIG. 10 is a side elevation view of the dropper shown in FIG. 8;

FIG. 11 is a bottom plan view of the cosmetic bottle shown in FIG. 1;

FIG. 12 is a top plan view of the cosmetic bottle shown in FIG. 4;

FIG. 13 is a top plan view of the cosmetic bottle shown in FIG. 1;

FIG. 14 is a top plan view of the dropper assembly shown in FIG. 10; and,

FIG. 15 is a bottom plan view of the dropper assembly shown in FIG. 10.

(Continued)

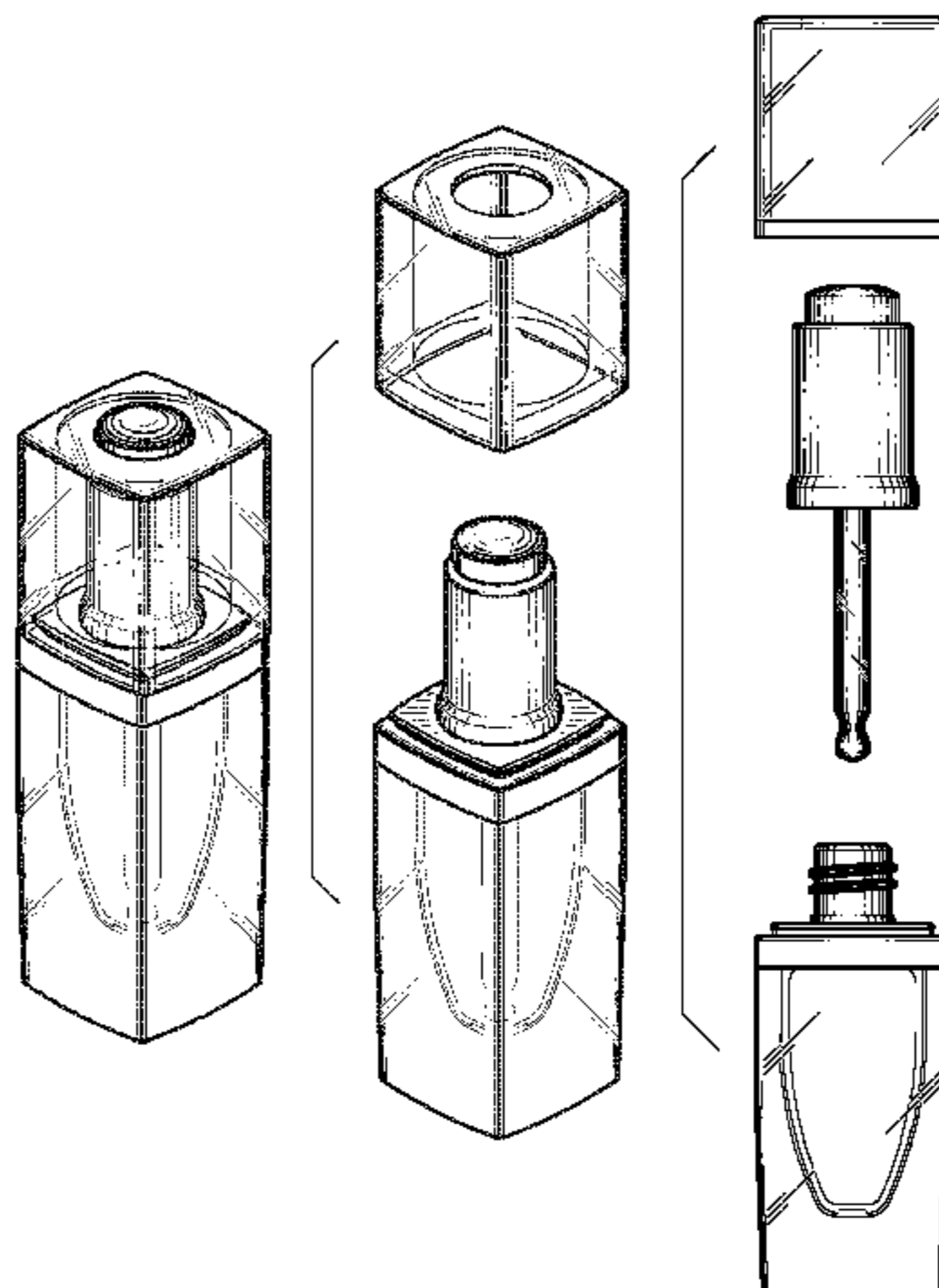
**FOREIGN PATENT DOCUMENTS**

EM	122726-1	11/2003
EM	124243-14	1/2004
EM	278635-1	1/2005

(Continued)

*Primary Examiner*—Stella M. Reid  
*Assistant Examiner*—Elizabeth J Oswecki

**1 Claim, 4 Drawing Sheets**



# US D571,219 S

Page 2

## U.S. PATENT DOCUMENTS

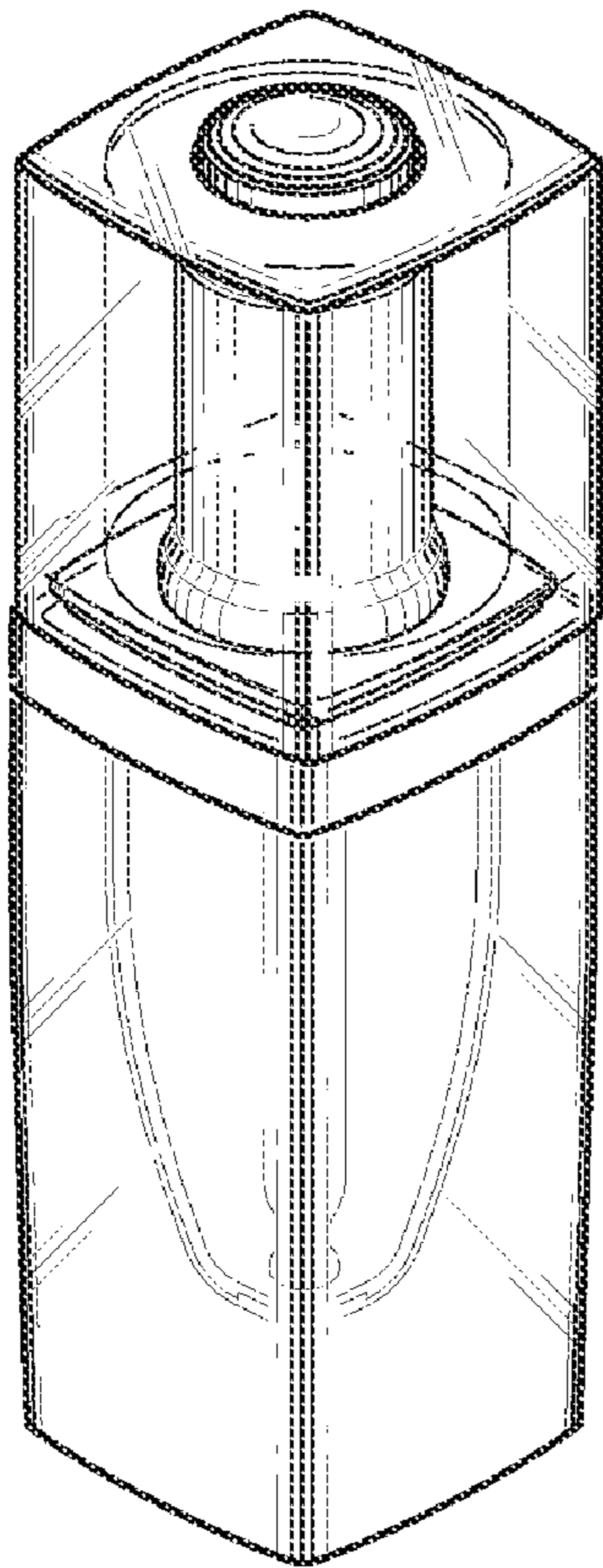
D494,472	S *	8/2004	Lewis et al. ....	D9/501
D507,973	S *	8/2005	Biglarians .....	D9/689
D531,043	S *	10/2006	Houtart et al. ....	D9/560
D532,937	S *	11/2006	Noh .....	D28/76
D539,662	S *	4/2007	Sanchez Lascaux .....	D9/560
D551,987	S *	10/2007	Kueth et al. ....	D9/560
D561,589	S *	2/2008	Lewis .....	D9/500
D563,221	S *	3/2008	Ashiwa et al. ....	D9/500

## FOREIGN PATENT DOCUMENTS

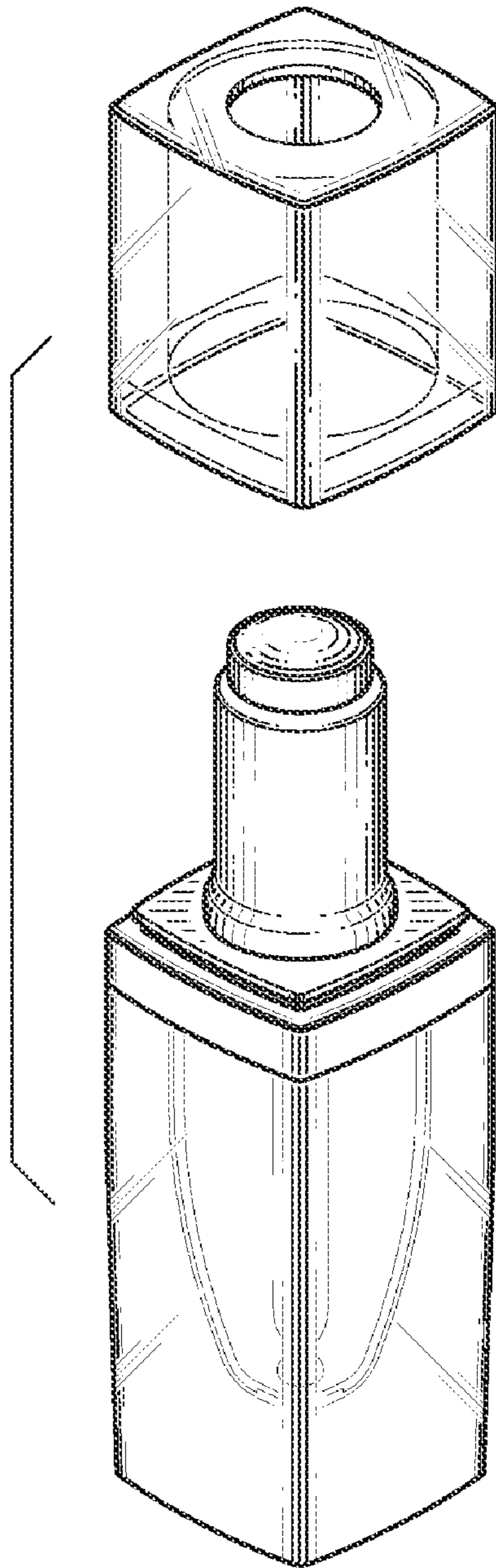
EM	279906-1	1/2005
EM	279906-2	1/2005
EM	306543-1	3/2005
EM	340898-1	5/2005
EM	434337-1	11/2005
EM	541446-1	6/2006
EM	581251-1	8/2006
EM	581251-2	8/2006
EM	581251-3	8/2006
EM	581251-4	8/2006
EM	581251-5	8/2006
EM	630504-1	11/2006
EM	635479-3	12/2006
EM	702618-1	4/2007
EM	702618-2	4/2007
JP	848576	9/1992
JP	898608	5/1994
JP	942743	12/1995
JP	948986	3/1996
JP	957015	6/1996
JP	986949	8/1997
JP	1003061	2/1998
JP	1077075	7/2000
JP	1141710	5/2002
JP	1220930	10/2004
JP	1232889	3/2005
JP	1232890	3/2005
JP	1236485	4/2005

JP	1277818	7/2006
JP	1304333	6/2007
KR	30-0320589	3/2003
KR	30-0353208	6/2004
KR	30-0371077	1/2005
RU	52033	3/2003
RU	56013	1/2005
RU	56016	1/2005
RU	59491	7/2006
RU	61923	3/2007
RU	62222	4/2007
WO	DM/005570	7/1985
WO	DM/017230	7/1990
WO	DM/024439	11/1992
WO	DM/026278	1/1993
WO	DM/026279	1/1993
WO	DM/031088	10/1994
WO	DM/031116	10/1994
WO	DM/037641	9/1996
WO	DM/039718	4/1997
WO	DM/042289	12/1997
WO	DM/044807	7/1998
WO	DM/048484	10/1999
WO	DM/049437	12/1999
WO	DM/049605	1/2000
WO	DM/051920	7/2000
WO	DM/053156	11/2000
WO	DM/059277	4/2002
WO	DM/059635	5/2002
WO	DM/061533	11/2002
WO	DM/063943	8/2003
WO	DM/066202	2/2005
WO	DM/066638	6/2005
WO	DM/067380	2/2006
WO	DM/068006	8/2006
WO	DM/068362	12/2006
WO	DM/068108	2/2007

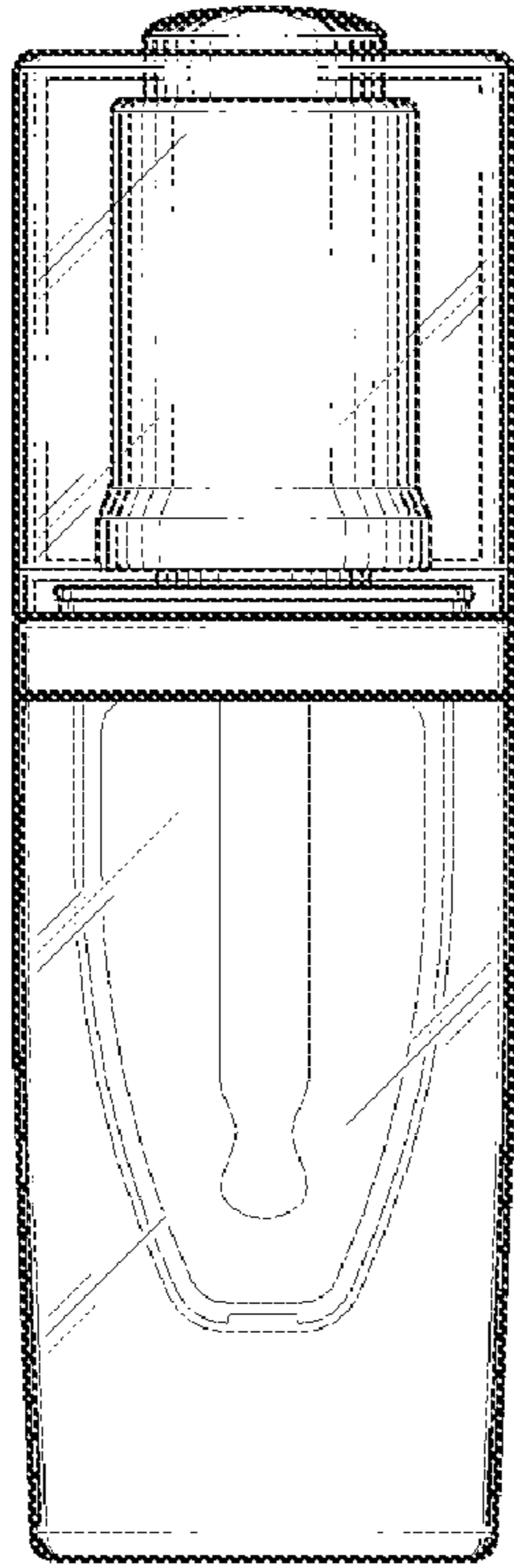
\* cited by examiner



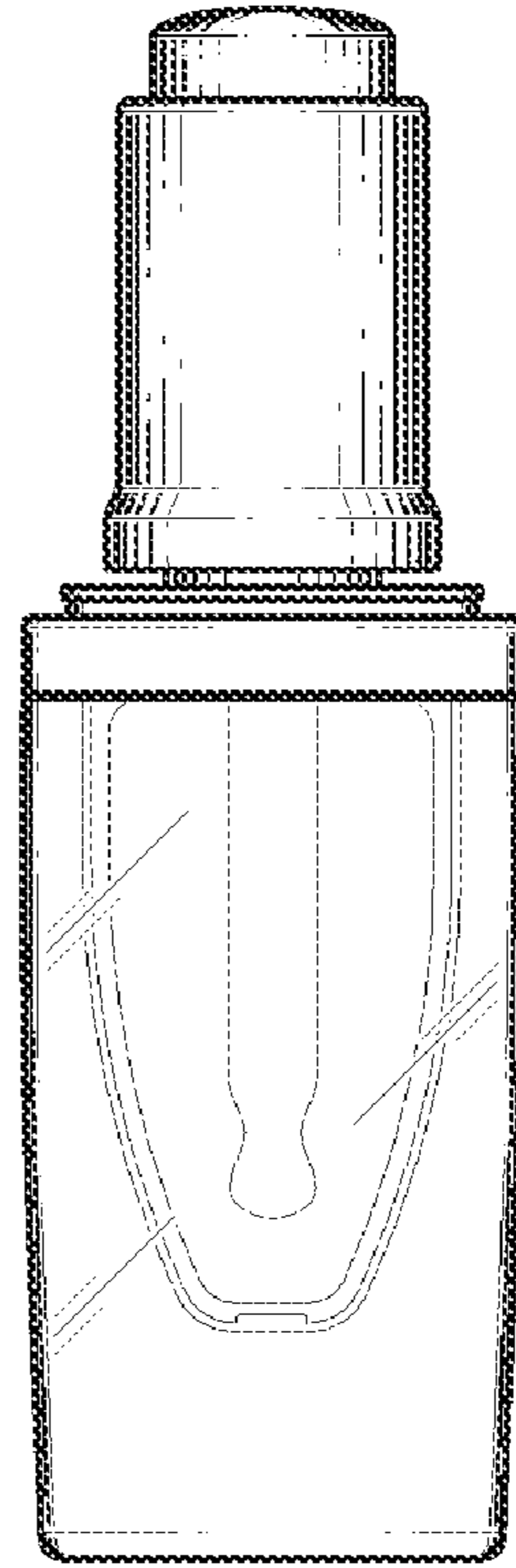
**FIG. 1**



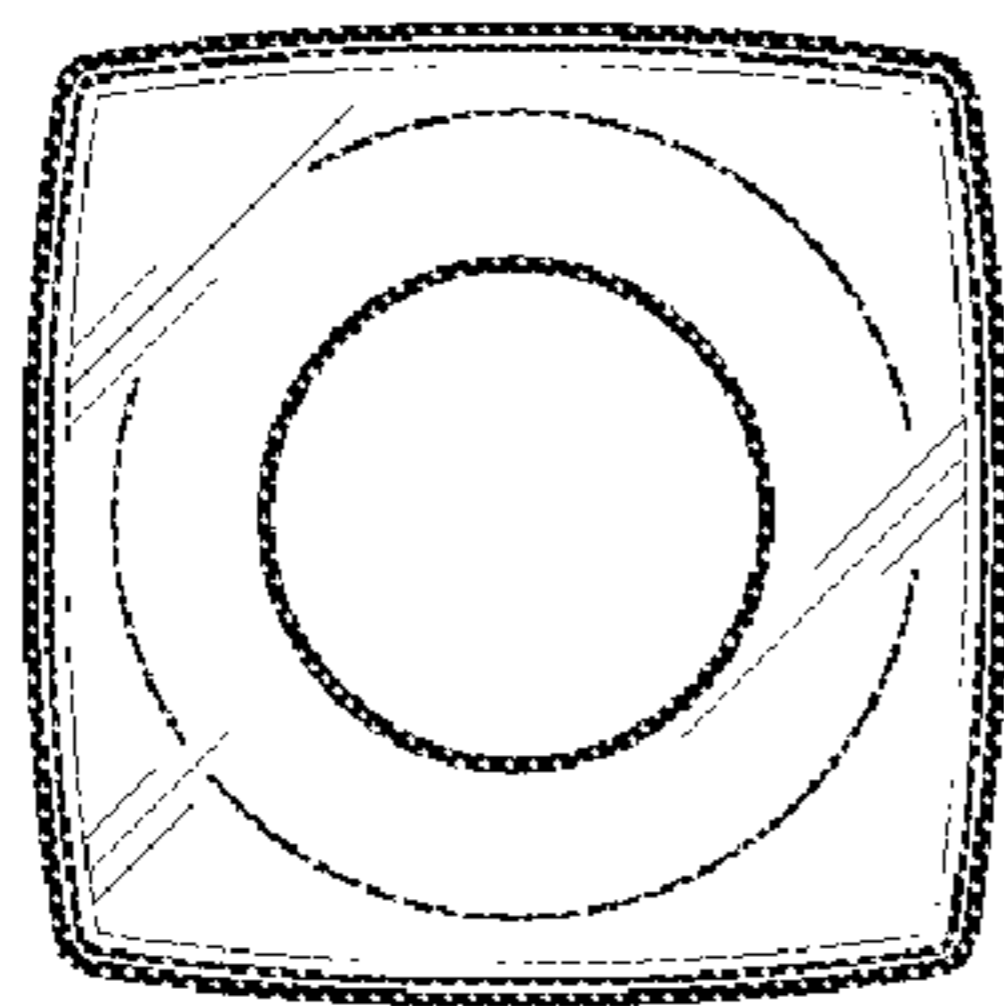
**FIG. 2**



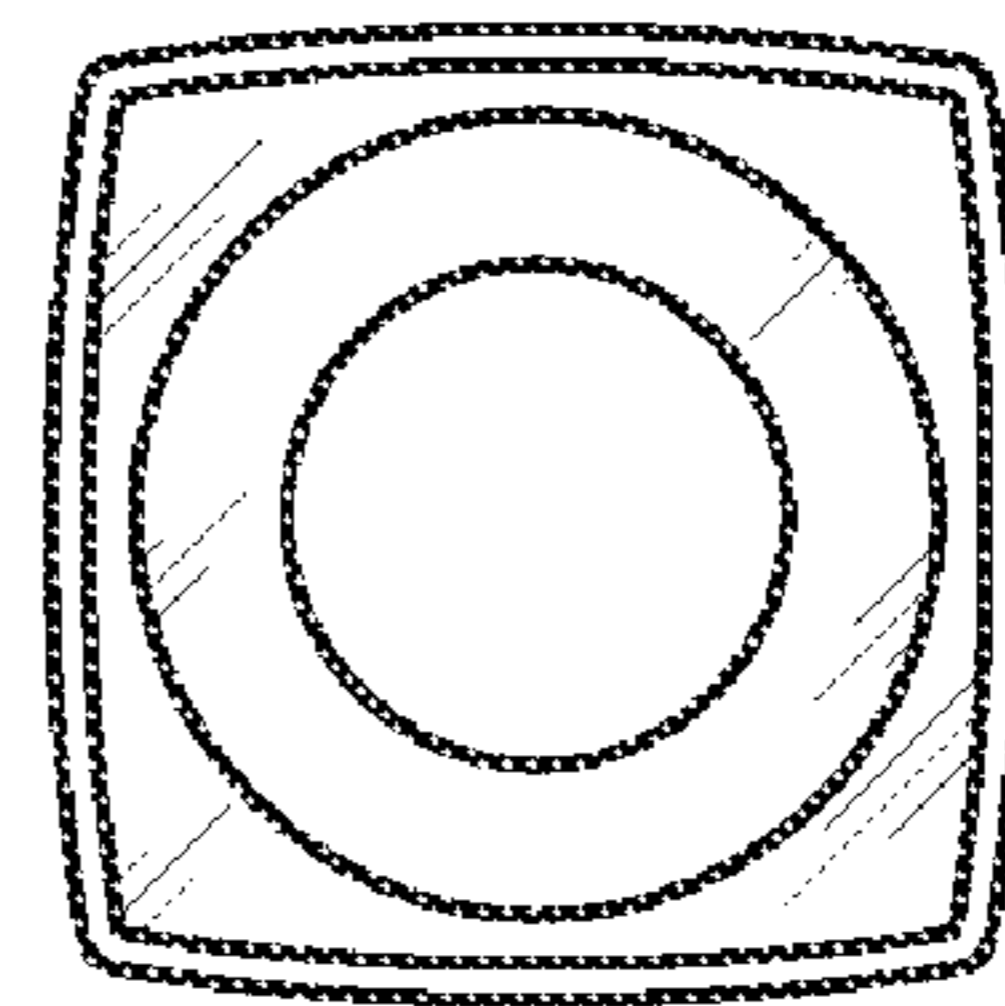
**FIG. 3**



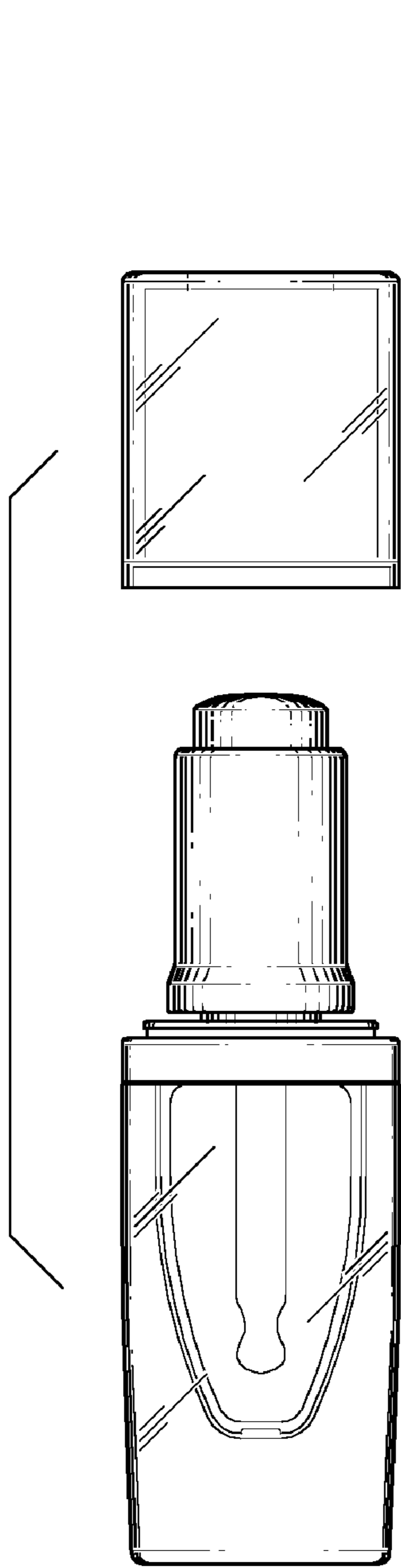
**FIG. 4**



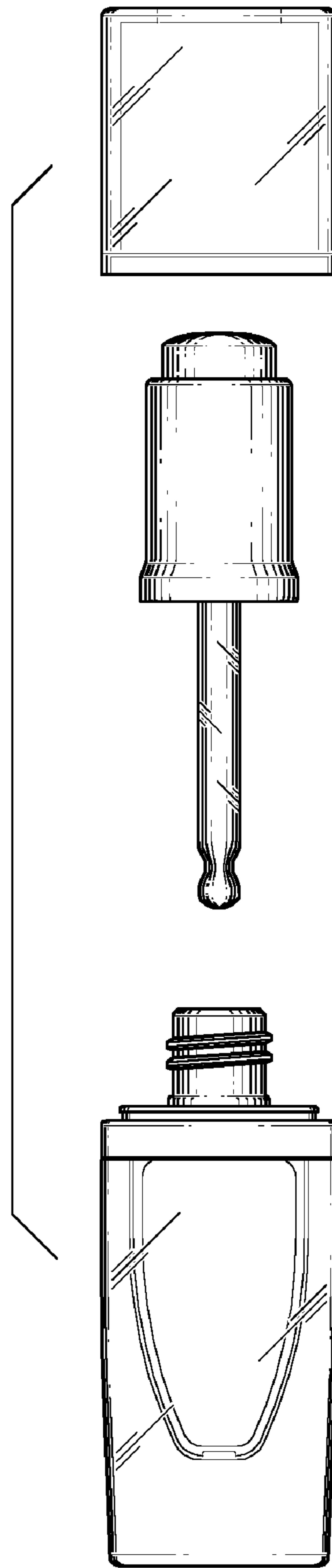
**FIG. 5**



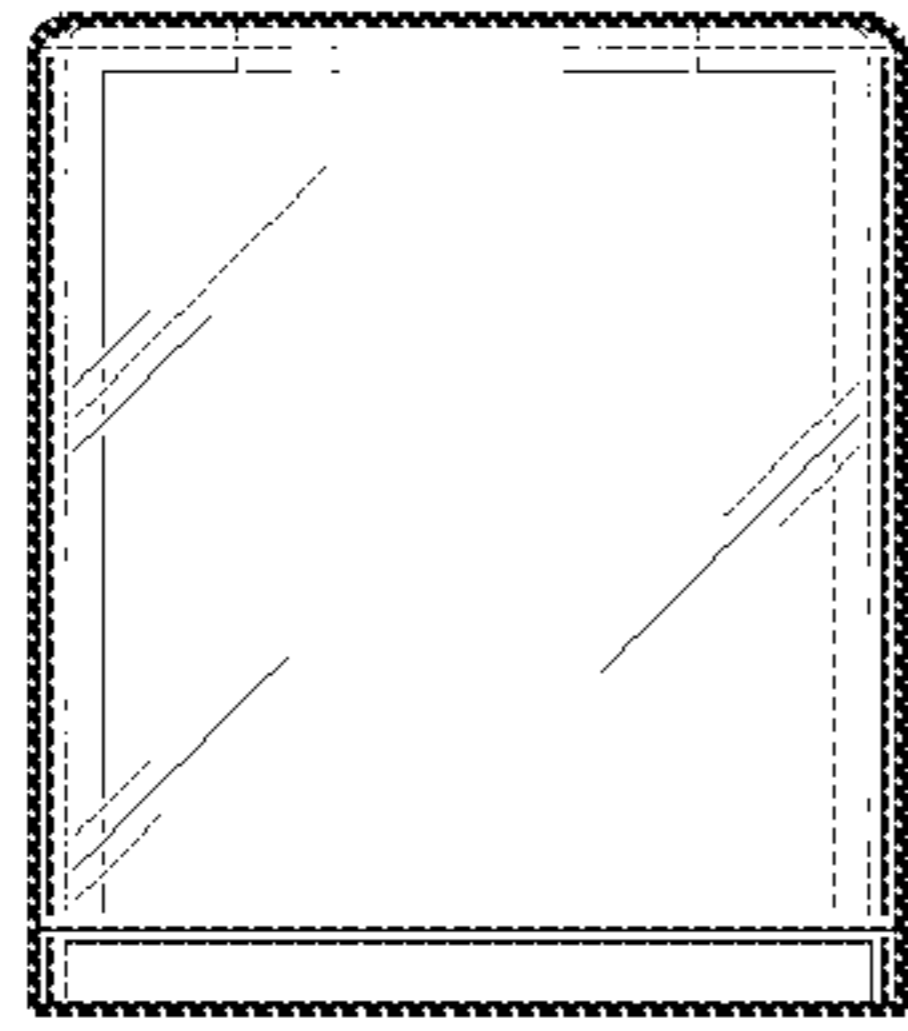
**FIG. 6**



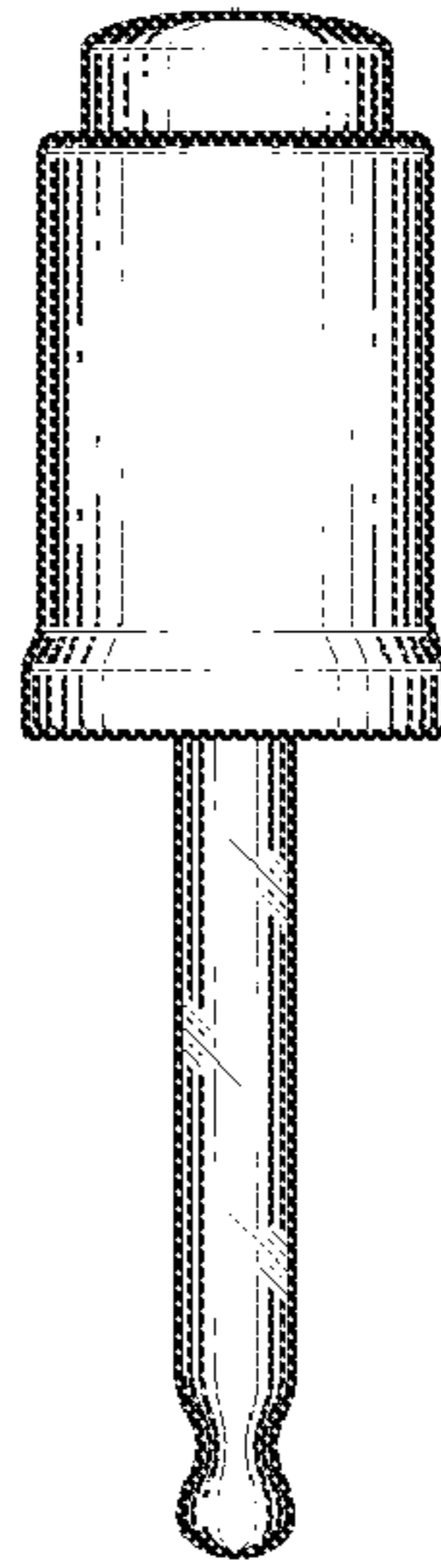
**FIG. 7**



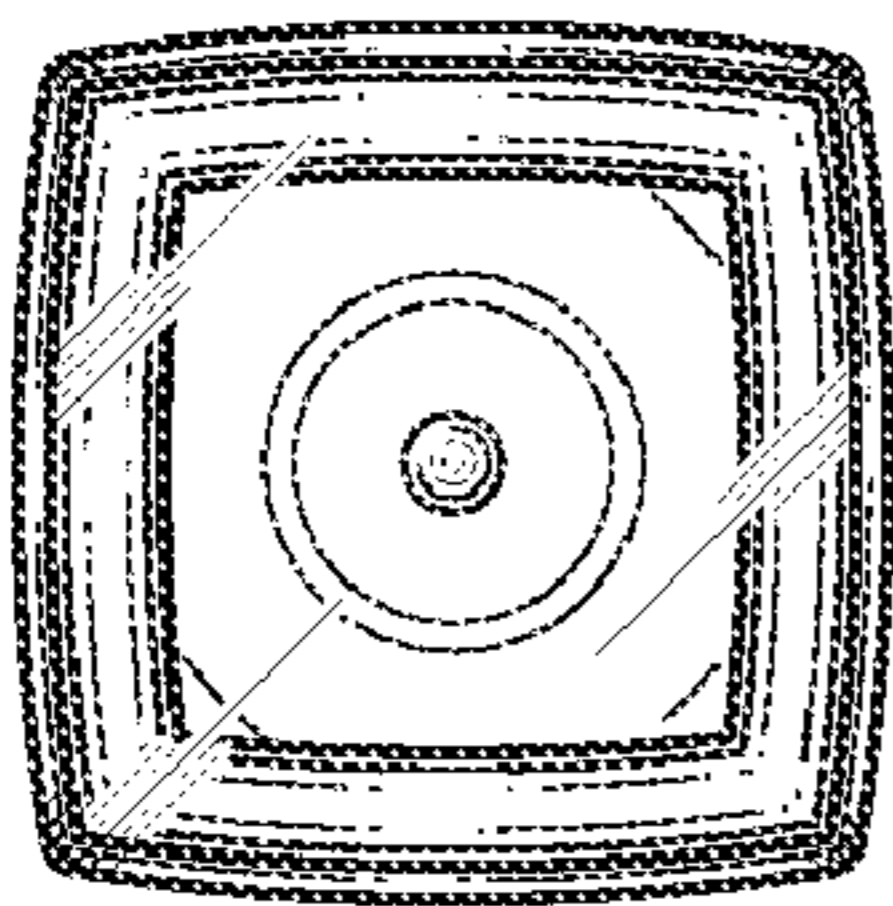
**FIG. 8**



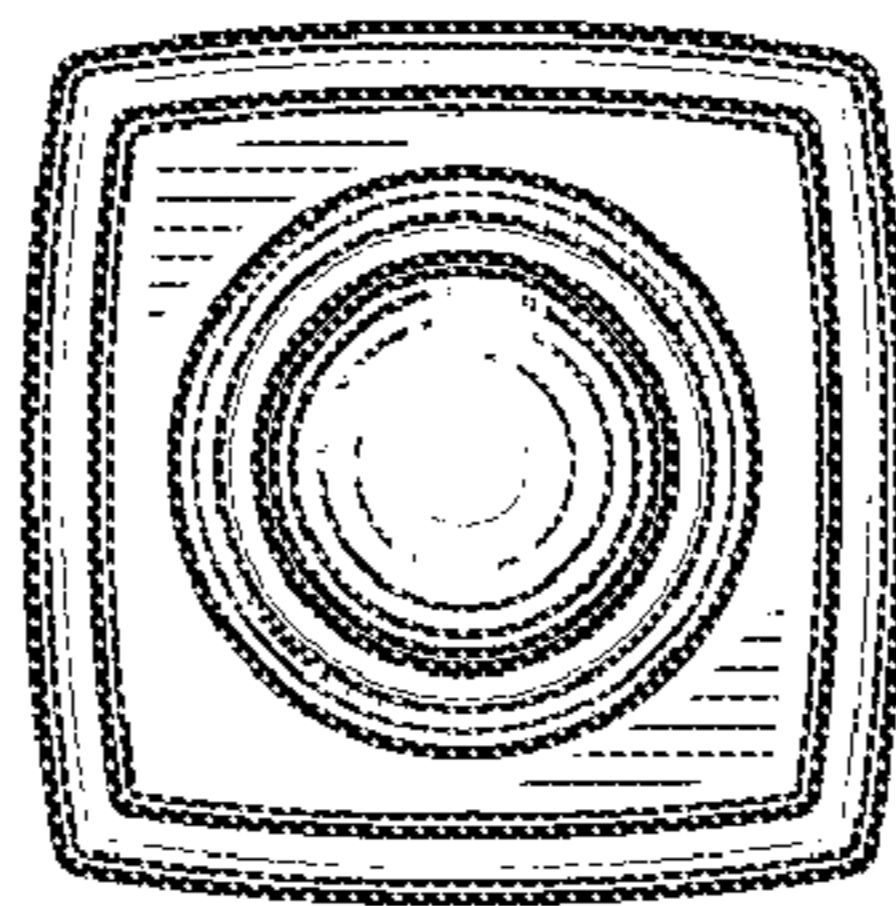
**FIG. 9**



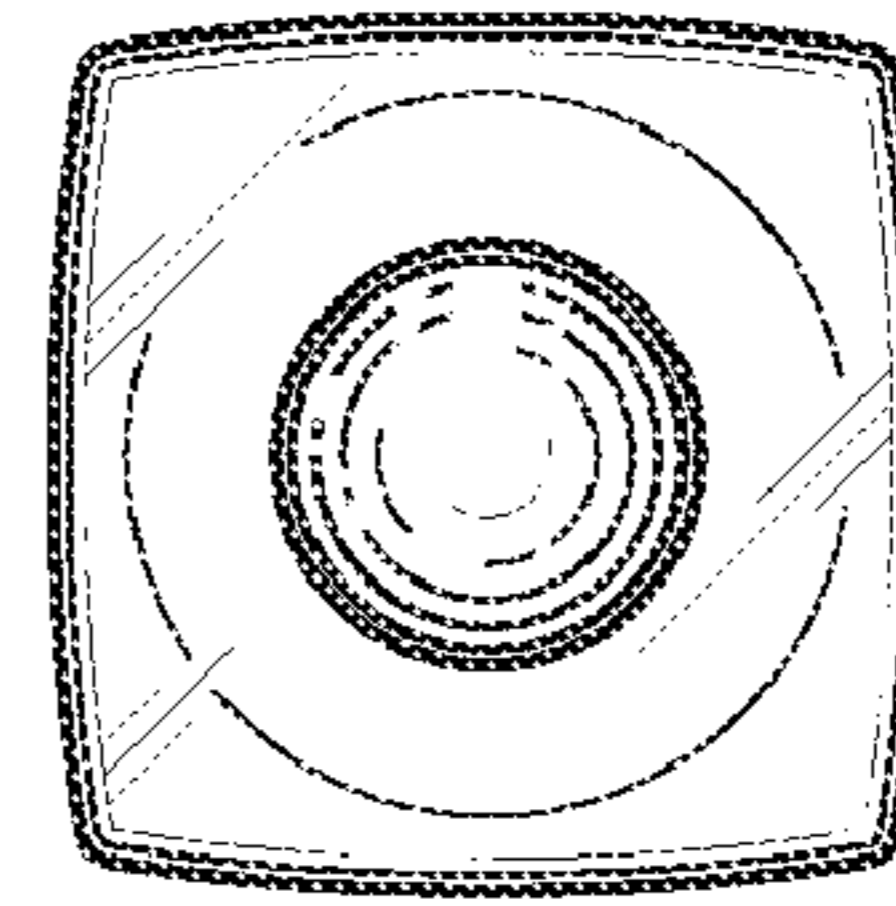
**FIG. 10**



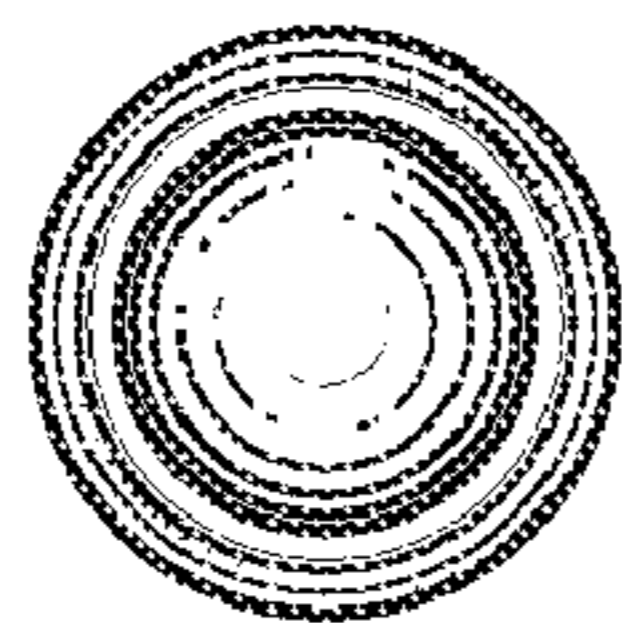
**FIG. 11**



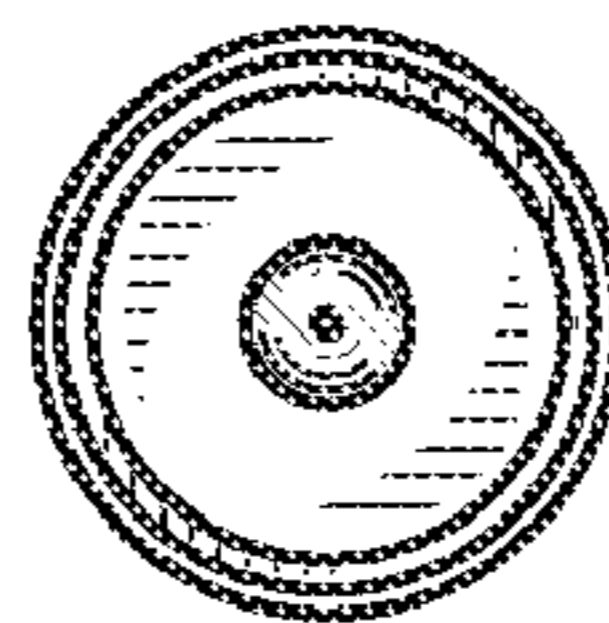
**FIG. 12**



**FIG. 13**



**FIG. 14**



**FIG. 15**