

US00D571218S

(12) **United States Design Patent**  
**Wagner**

(10) **Patent No.:** **US D571,218 S**

(45) **Date of Patent:** **\*\* Jun. 17, 2008**

(54) **WATER BOTTLE**

(76) **Inventor:** **Richard Norman Zach Wagner**, 308  
S. Carolina Dr., Beverly Hills, CA (US)  
90212

(\*\*) **Term:** **14 Years**

(21) **Appl. No.:** **29/283,998**

(22) **Filed:** **Aug. 29, 2007**

(51) **LOC (8) Cl.** ..... **09-01**

(52) **U.S. Cl.** ..... **D9/535; D9/573; D9/574**

(58) **Field of Classification Search** ..... D9/682,  
D9/687, 694, 516, 530, 535, 542, 544, 551,  
D9/560, 561, 564, 572-574; 215/382-385;  
220/661

See application file for complete search history.

(56) **References Cited**

**U.S. PATENT DOCUMENTS**

- D49,235 S \* 6/1916 Vivaudou ..... D9/535 X
- D60,472 S \* 2/1922 Smith ..... D9/573
- D104,649 S \* 5/1937 Black ..... D9/573
- D152,473 S \* 1/1949 Heim ..... D9/544 X
- 2,722,086 A \* 11/1955 Mullen ..... 215/385 X
- D214,780 S \* 7/1969 Koenigsberg ..... D9/564
- D243,066 S \* 1/1977 Halsted et al. .... D9/564
- D247,151 S \* 2/1978 McBride ..... D7/591
- D247,768 S \* 4/1978 Sagona ..... D9/572 X
- D247,770 S \* 4/1978 Sagona ..... D9/572 X
- D270,040 S \* 8/1983 Perez Casasa y  
Perez de Guzman ..... D9/573
- D304,294 S \* 10/1989 Grenda ..... D9/724
- D380,683 S \* 7/1997 Rothschild, III ..... D9/535
- D444,071 S \* 6/2001 Mansau ..... D9/566
- D454,499 S \* 3/2002 Berkhauser ..... D9/535

- D465,734 S \* 11/2002 Grivory ..... D9/560
- D489,271 S \* 5/2004 Soomar ..... D9/561
- D537,352 S \* 2/2007 Spiegel ..... D9/535
- D547,663 S \* 7/2007 Reyes ..... D9/535
- D551,983 S \* 10/2007 Barbagli ..... D9/535

**FOREIGN PATENT DOCUMENTS**

- GB 3009950 \* 3/2003
- GB 3024837 \* 6/2006

\* cited by examiner

*Primary Examiner*—Carol Rademaker

(74) *Attorney, Agent, or Firm*—Keusey, Tutunjian & Bitetto,  
P.C.

(57) **CLAIM**

The ornamental design for a water bottle, as shown and described.

**DESCRIPTION**

FIG. 1 is a top, front and right side perspective view of the water bottle showing my new design;

FIG. 2 is a front elevational view thereof, the rear elevational view being identical and shown with environment in broken lines of an unclaimed closure;

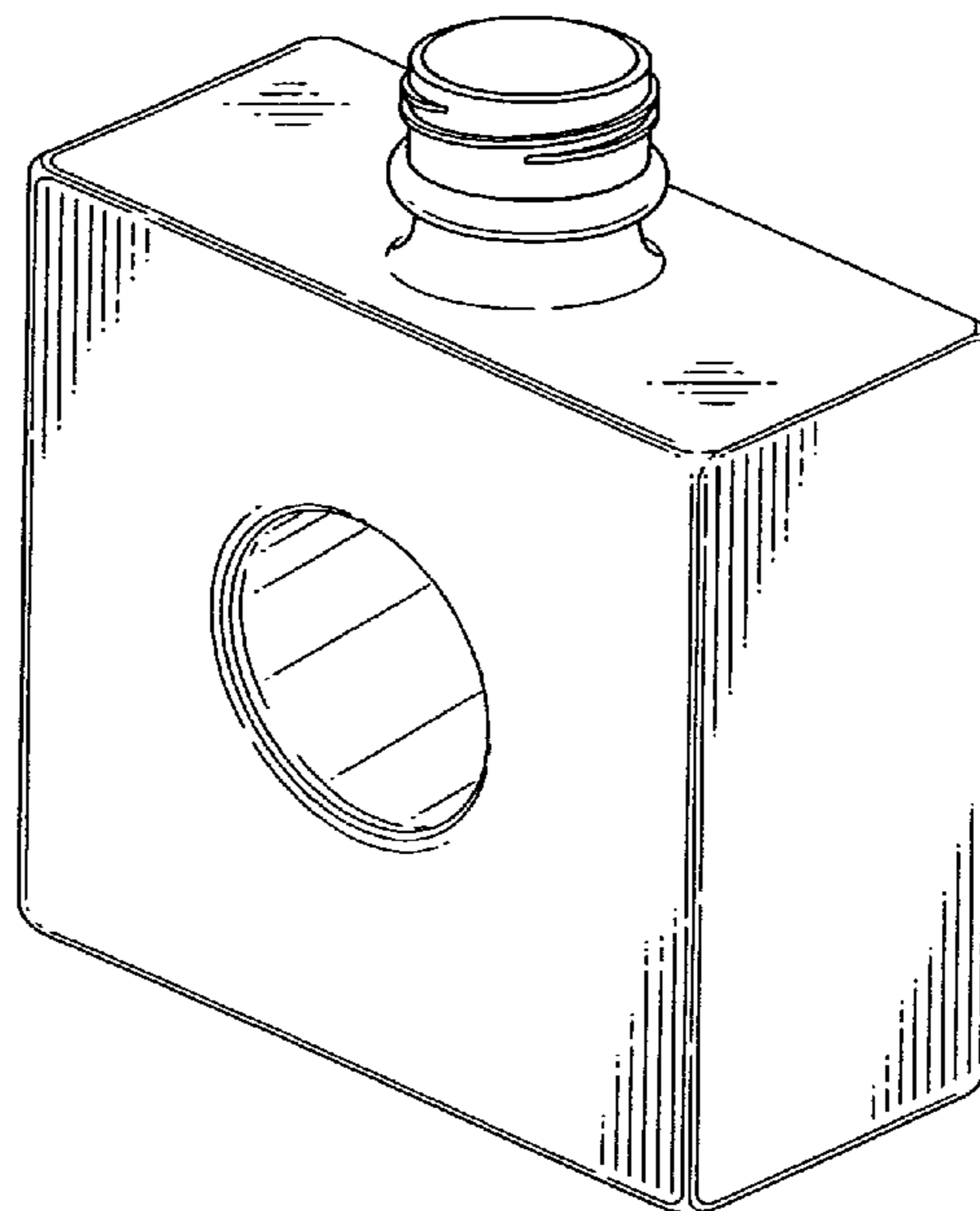
FIG. 3 is right side elevational view thereof, the left side elevational view being identical;

FIG. 4 is a top plan view thereof; and,

FIG. 5 is a bottom plan view thereof.

The broken line showing of a closure is included for the purpose of illustrating environment and forms no part of the claimed design.

**1 Claim, 2 Drawing Sheets**



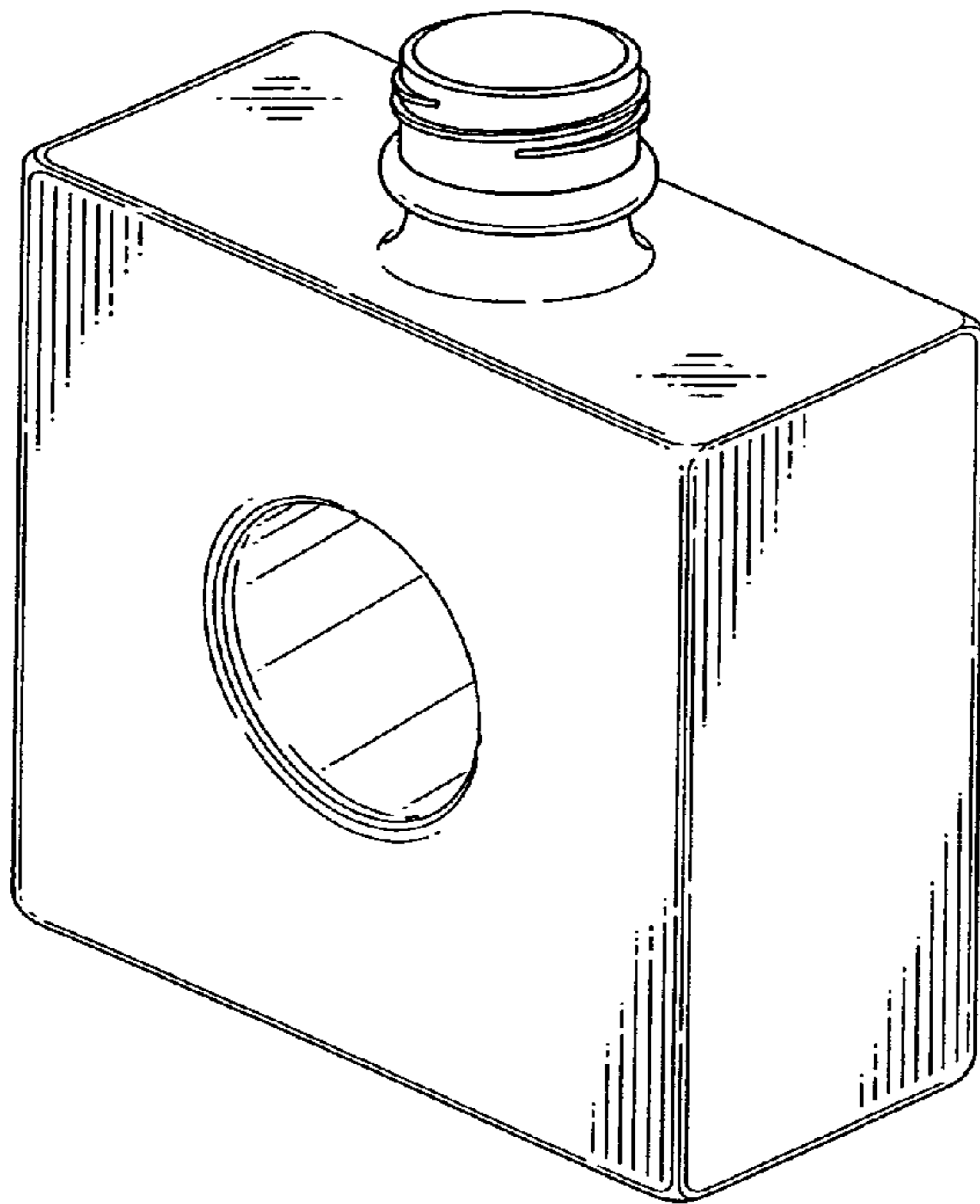


FIG. 1

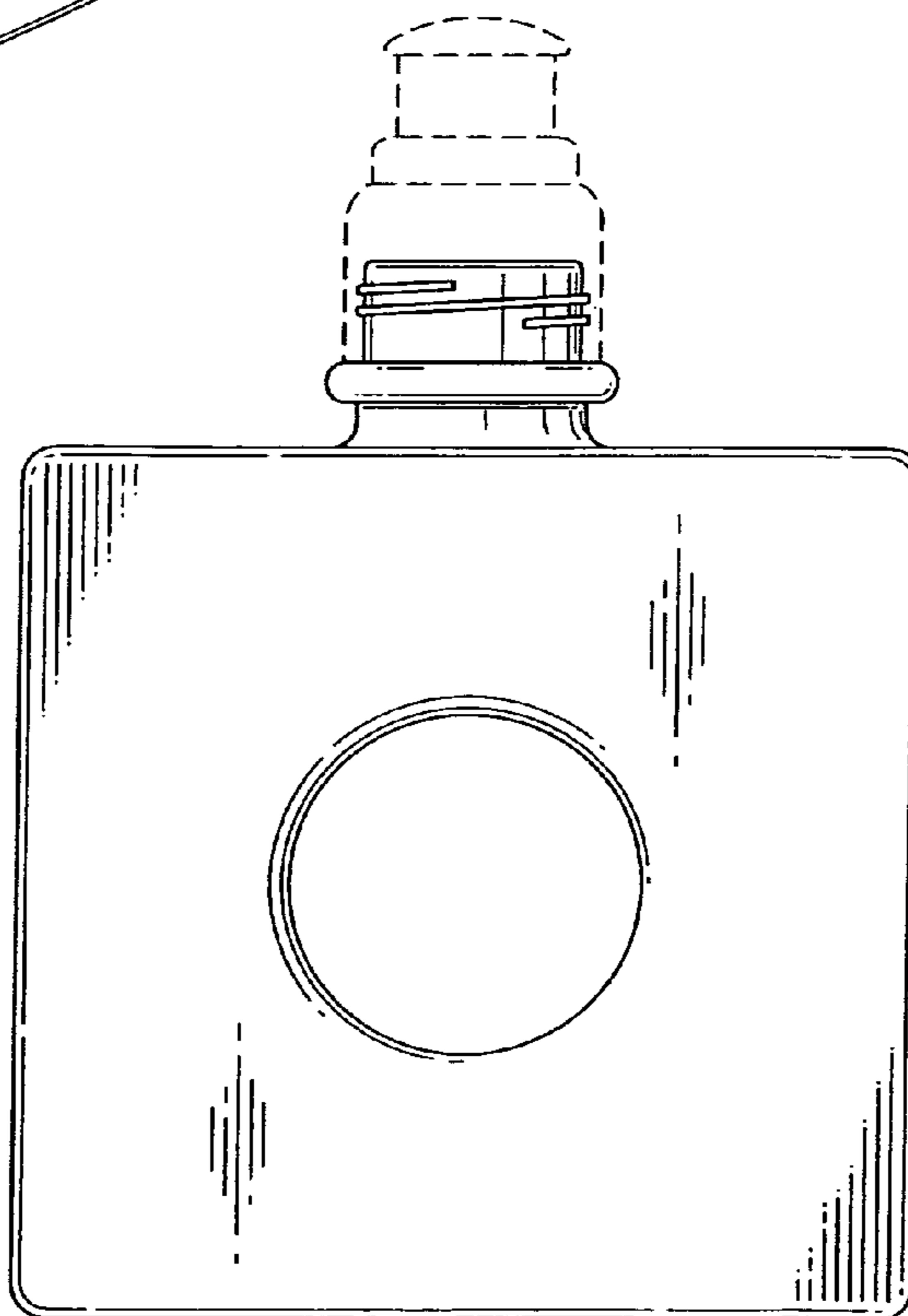


FIG. 2

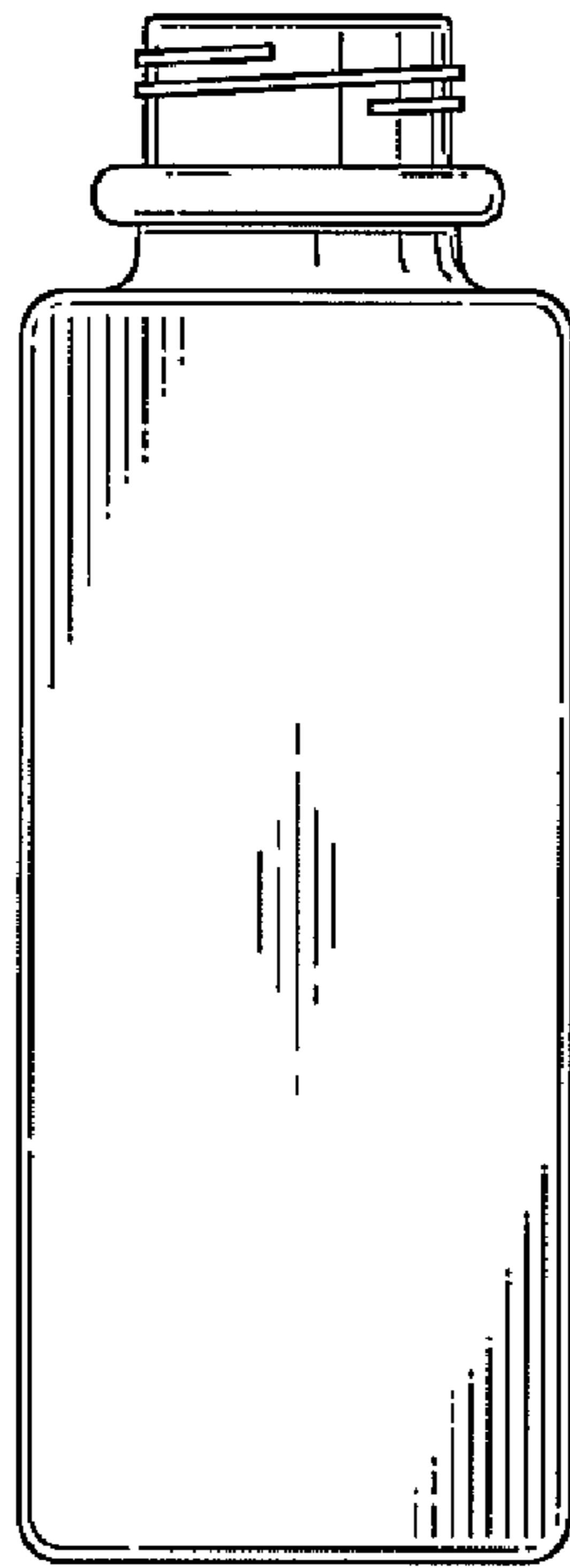


FIG. 3

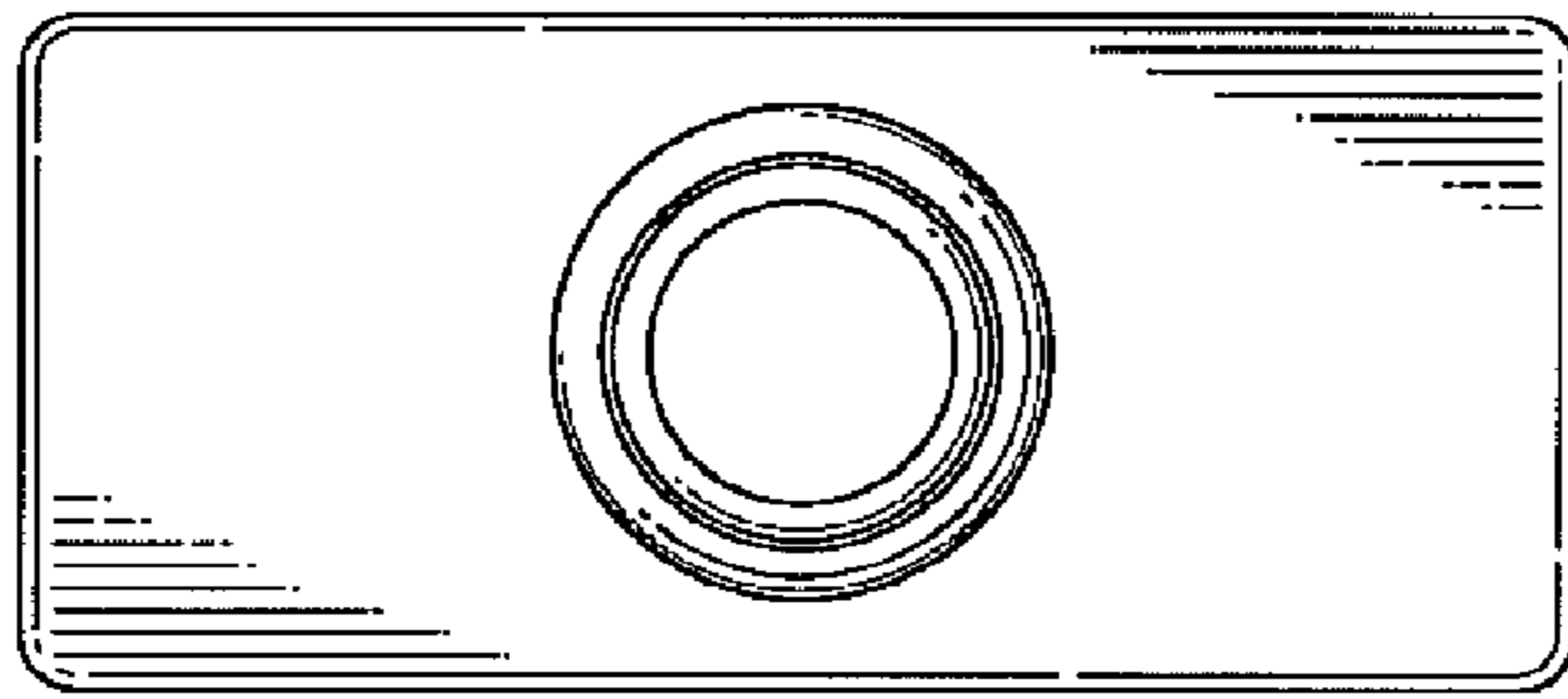


FIG. 4

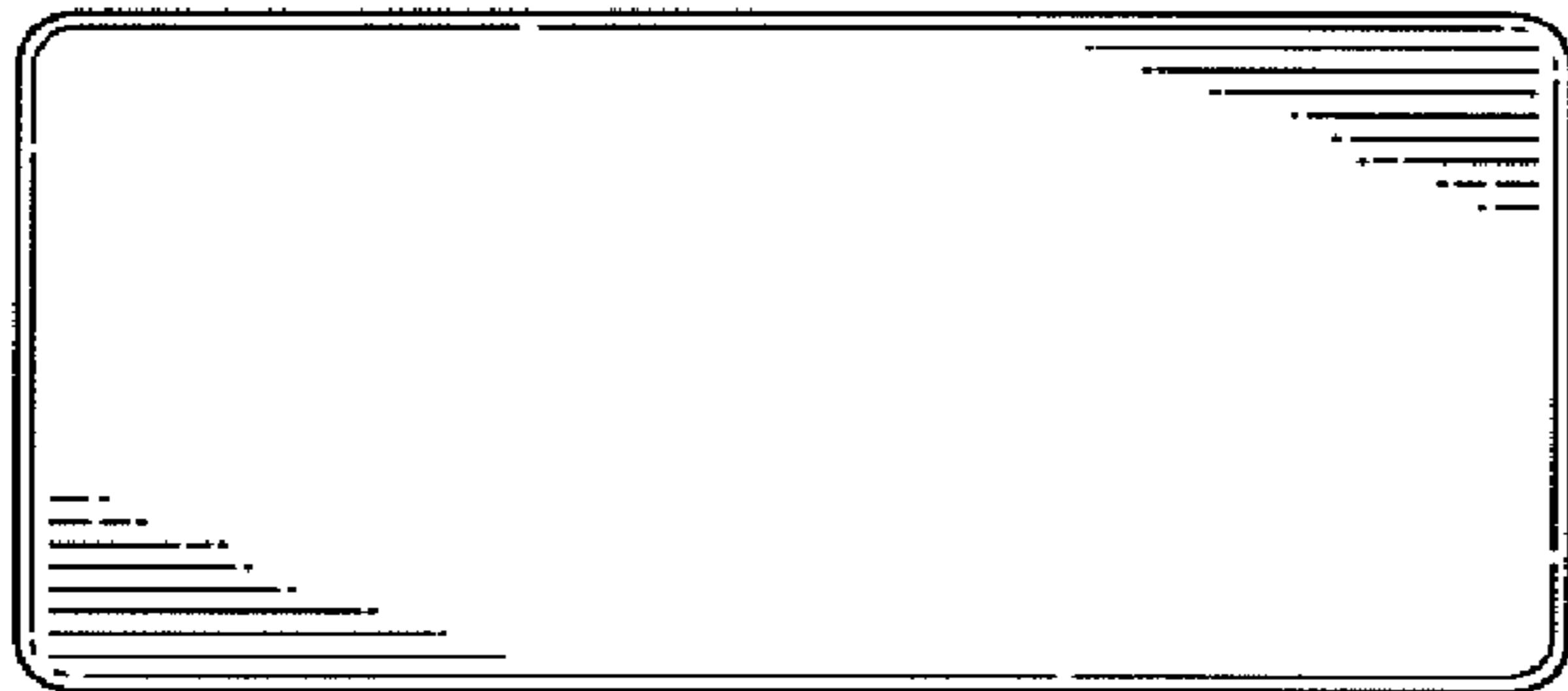


FIG. 5