



US00D571214S

(12) **United States Design Patent**  
**Caszatt**

(10) **Patent No.:** **US D571,214 S**  
(45) **Date of Patent:** **\*\* Jun. 17, 2008**

(54) **CONTAINER**

D501,404 S 2/2005 Dalton et al.

\* cited by examiner

(75) Inventor: **Bradley W. Caszatt**, Manchester, MI (US)

*Primary Examiner*—Ian Simmons

*Assistant Examiner*—Dana L Sipos

(73) Assignee: **Amcort Limited**, Abbotsford, Victoria (AU)

(74) *Attorney, Agent, or Firm*—Harness, Dickey & Pierce, P.L.C.

(\*\*) Term: **14 Years**

(57) **CLAIM**

(21) Appl. No.: **29/271,288**

The ornamental design for a container, as shown and described.

(22) Filed: **Jan. 12, 2007**

**DESCRIPTION**

(51) **LOC (8) Cl.** ..... **09-01**

FIG. 1 is a front perspective view of a container showing the new design;

(52) **U.S. Cl.** ..... **D9/516; D9/502**

FIG. 2 is a front elevational view of the container shown in FIG. 1, the rear, right side and left side elevational views being a mirror image;

(58) **Field of Classification Search** ..... D9/435, D9/452-454, 500, 502-505, 516, 520, 537-540, D9/549, 558, 682, 686, 688-692, 901-905; 215/379-385; 220/660-662, 669-673, 675  
See application file for complete search history.

FIG. 3 is a top plan view of the container shown in FIG. 2; and,

(56) **References Cited**

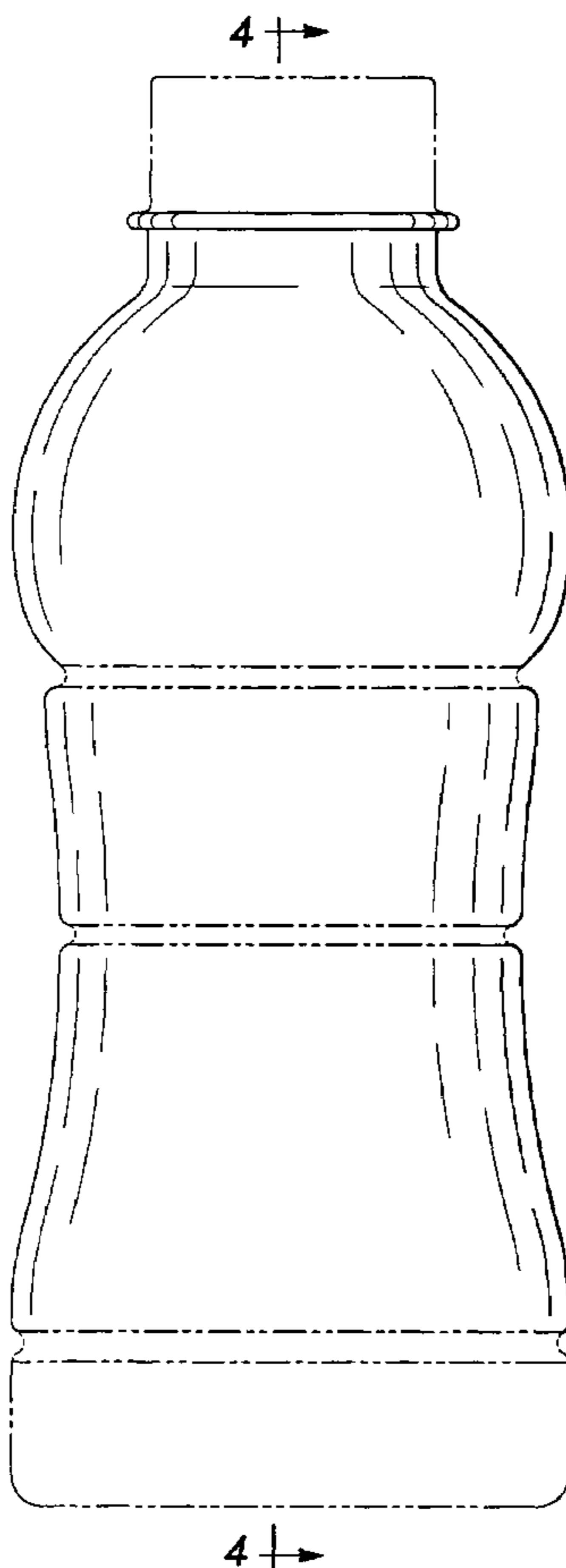
FIG. 4 is a cross-sectional view of the container along line 4-4 of FIG. 2.

**U.S. PATENT DOCUMENTS**

The broken lines are for environmental purposes only and form no part of the claimed design.

- D412,281 S \* 7/1999 Lindsay et al. .... D9/500
- D457,435 S \* 5/2002 Rashid ..... D9/502
- D473,469 S \* 4/2003 Claessen ..... D9/537
- D479,999 S \* 9/2003 Moore ..... D9/500

**1 Claim, 4 Drawing Sheets**



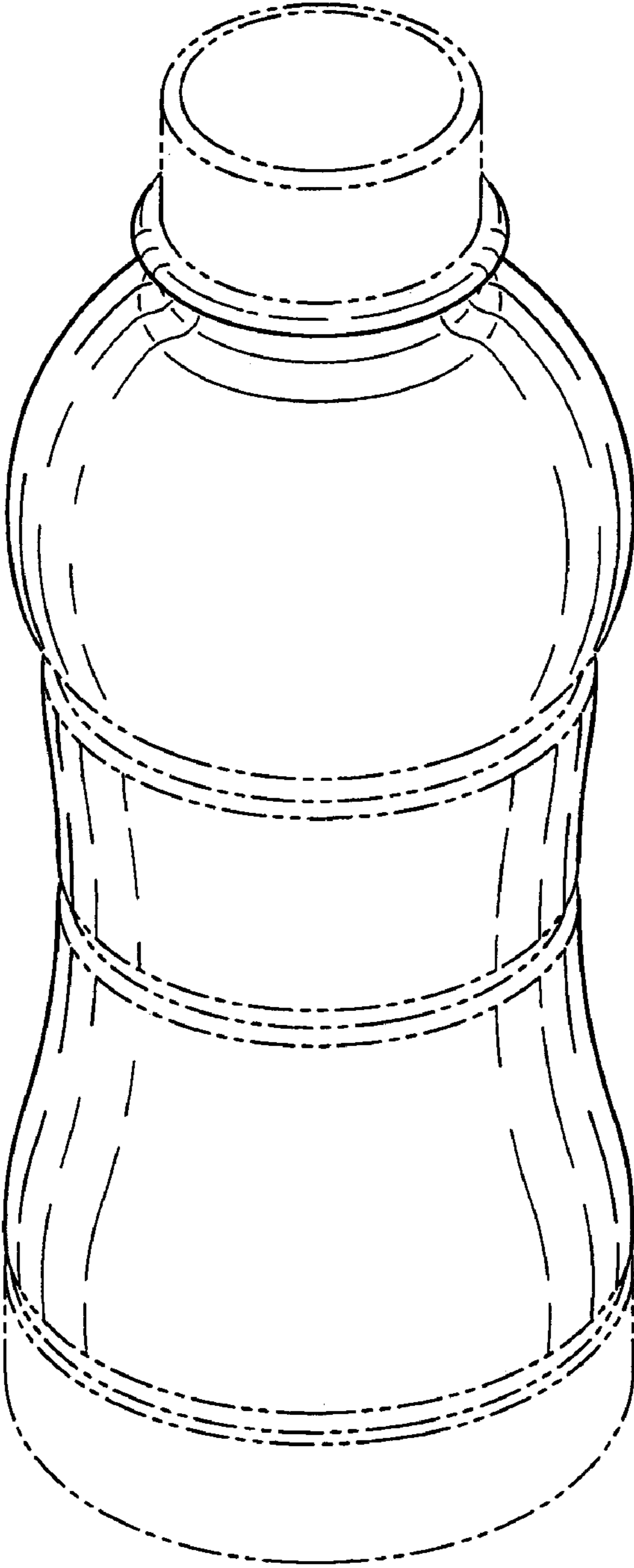


Fig-1

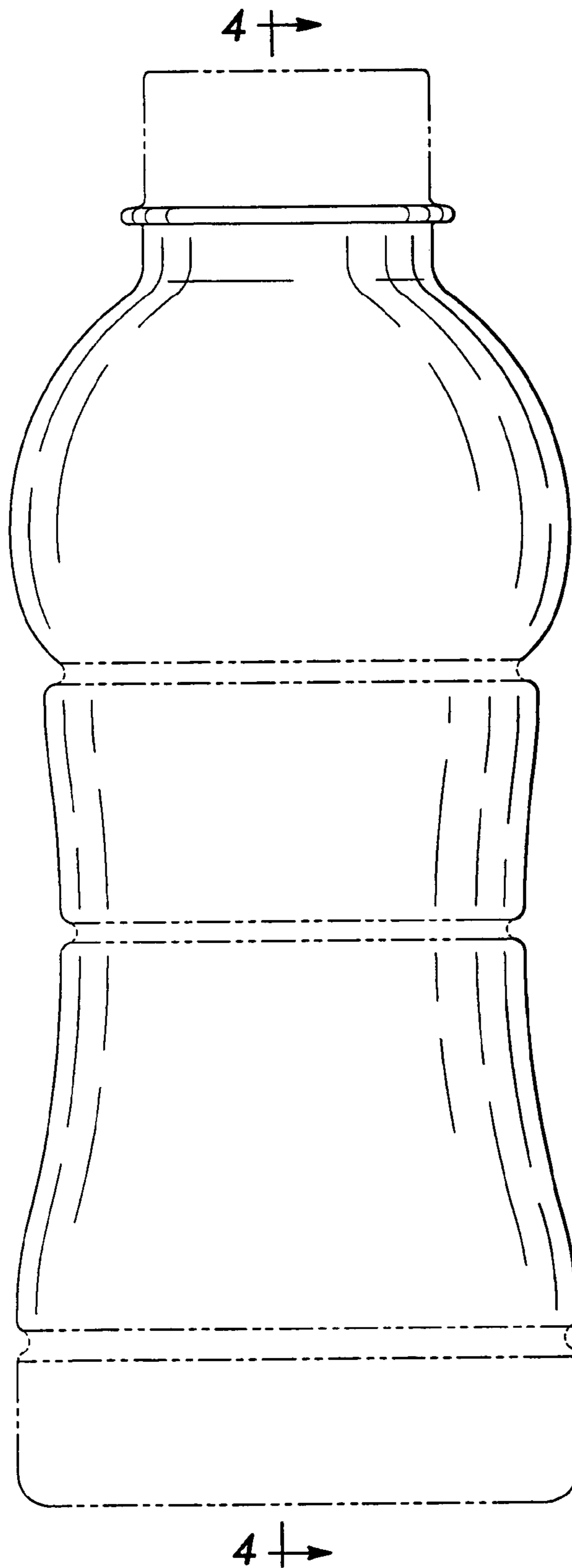


Fig-2

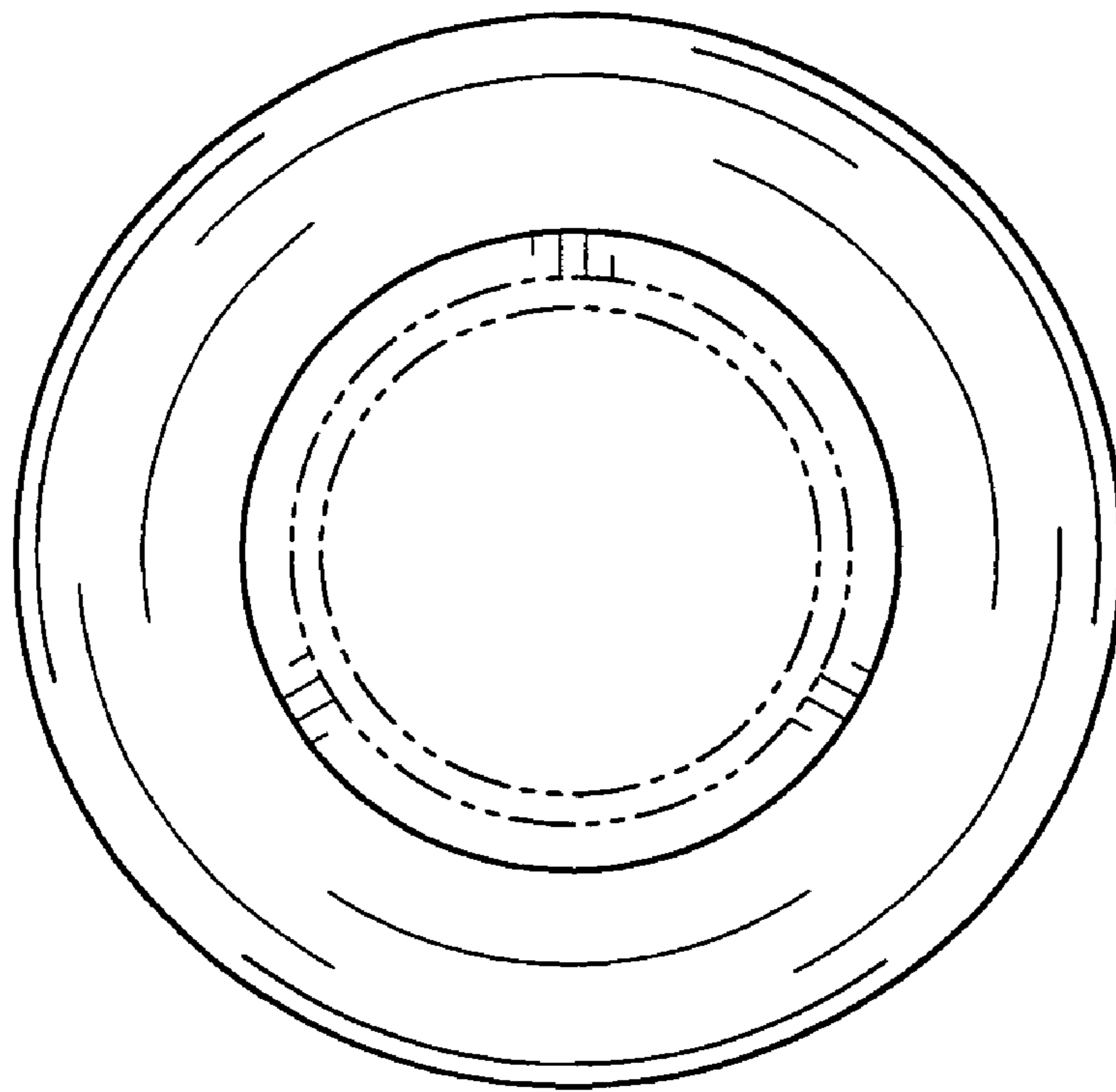


Fig-3

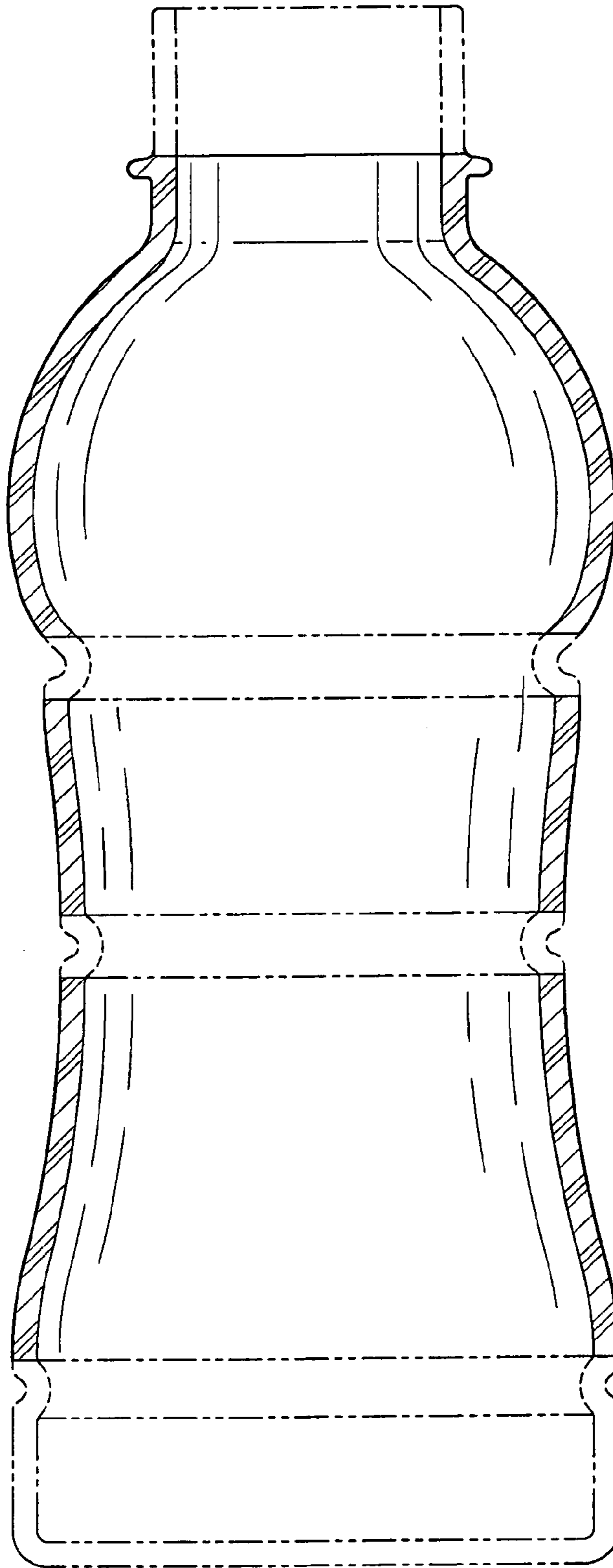


Fig-4