



US00D571209S

(12) **United States Design Patent**
Rozanski

(10) **Patent No.:** **US D571,209 S**
(45) **Date of Patent:** **** Jun. 17, 2008**

(54) **DISPLAY PACKAGE**

D517,917 S * 3/2006 Sethi et al. D9/457
(Continued)

(75) Inventor: **Alan L. Rozanski**, Franklin, WI (US)

Primary Examiner—T. Chase Nelson

(73) Assignee: **Master Lock Company LLC**, Oak Creek, WI (US)

Assistant Examiner—Barbara B Lohr

(74) *Attorney, Agent, or Firm*—Calfee, Halter & Griswold LLP

(**) Term: **14 Years**

(57) **CLAIM**

(21) Appl. No.: **29/299,532**

The ornamental design for a display package, as shown and described.

(22) Filed: **Dec. 28, 2007**

(51) **LOC (8) Cl.** **09-03**

(52) **U.S. Cl.** **D9/457**

(58) **Field of Classification Search** D9/227,
D9/304, 341, 342, 343, 344, 345, 346, 347,
D9/348, 414, 415, 416, 417, 418, 419, 420,
D9/421, 422, 423, 424, 425, 426, 427, 428,
D9/429, 430, 431, 432, 433, 434, 456, 455,
D9/457, 499, 701, 730, 731, 732; 206/229,
206/445, 461–469, 471, 495, 551, 538, 534,
206/528–532, 806; D6/315, 513; D20/43,
D20/42, 40, 27, 22, 39; 229/942, 906, 902,
229/115, 103, 101; 223/87; D28/76; D24/229;
D23/386, 369, 366; D21/376
See application file for complete search history.

DESCRIPTION

FIG. 1 is a front-right perspective view of the new, original, and ornamental design for a display package, showing a product in phantom lines retained on the display package;

FIG. 2 is a front-left perspective view of the display package of FIG. 1, showing a product in phantom lines retained on the display package;

FIG. 3 is a front-right perspective view of the display package of FIG. 1, showing the phantom line product removed from the display package;

FIG. 4 is a front-left perspective view of the display package of FIG. 3;

FIG. 5 is a reduced scale left side view of the display package of FIG. 3;

FIG. 6 is a reduced scale top view of the display package of FIG. 3;

FIG. 7 is a reduced scale front view of the display package of FIG. 3;

FIG. 8 is a reduced scale right side view of the display package of FIG. 3;

FIG. 9 is a reduced scale bottom view of the display package of FIG. 3; and,

FIG. 10 is a reduced scale rear view of the display package of FIG. 3.

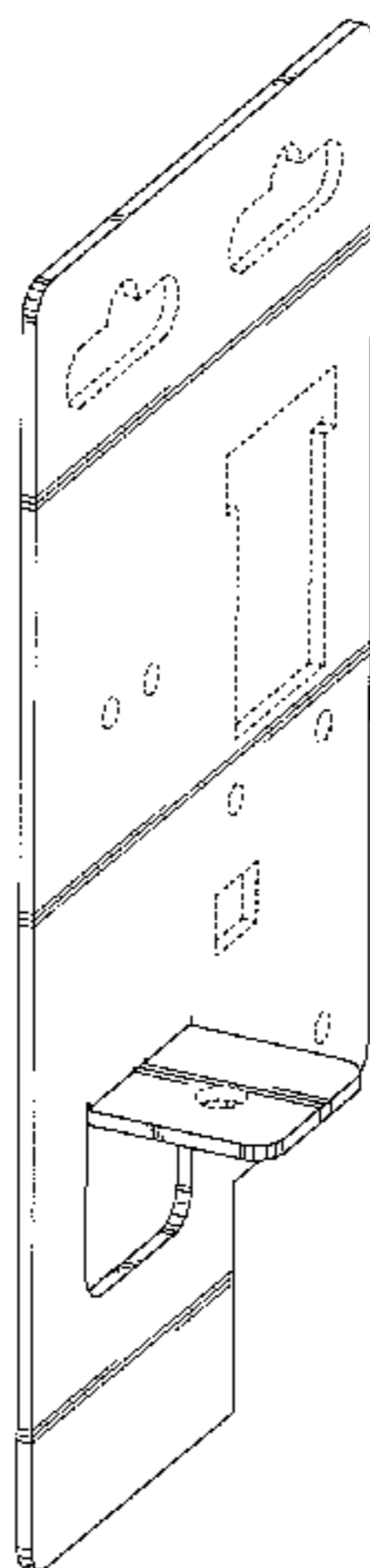
The portions of the Figures shown in phantom lines are not part of the claimed design, but are for illustration purposes only.

(56) **References Cited**

U.S. PATENT DOCUMENTS

D386,681	S	*	11/1997	Reil	D9/434
D455,072	S	*	4/2002	Findle et al.	D9/415
D463,978	S	*	10/2002	DiMartino	D9/415
6,457,649	B1	*	10/2002	Hileman	235/486
6,523,689	B2	*	2/2003	Mickel	206/468
D482,612	S	*	11/2003	Hager et al.	D9/600
D485,753	S	*	1/2004	Vogel	D9/415
6,817,471	B2	*	11/2004	Harris et al.	206/349
D501,402	S	*	2/2005	Kilmer et al.	D9/415
D505,809	S	*	6/2005	Cassidy et al.	D6/491
6,938,394	B2	*	9/2005	Perell	53/412
D511,976	S	*	11/2005	Budrow	D9/715
D513,589	S	*	1/2006	Grant	D9/457
D513,700	S	*	1/2006	Wheeler et al.	D9/457
D516,427	S	*	3/2006	Richardson et al.	D9/457

1 Claim, 6 Drawing Sheets



US D571,209 S

Page 2

U.S. PATENT DOCUMENTS

7,011,249 B2 *	3/2006	Tang	235/486	D540,168 S *	4/2007	Chin	D9/457
D520,875 S *	5/2006	Wheeler et al.	D9/415	D543,110 S *	5/2007	Harada et al.	D9/457
D522,863 S *	6/2006	Chin	D9/457	D544,794 S *	6/2007	White	D9/457
7,066,327 B2 *	6/2006	Baublitz et al.	206/349	D551,551 S *	9/2007	Woolery	D9/415
D524,653 S *	7/2006	Baumgarten	D9/457	D556,565 S *	12/2007	Nazari	D9/418
D527,634 S *	9/2006	Liebers	D9/457	2007/0199850 A1 *	8/2007	Levy	206/464
7,128,222 B2 *	10/2006	Doucette	211/85.4	2007/0246527 A1 *	10/2007	Tang	235/380
D531,506 S *	11/2006	Aitkenhead	D9/457	2007/0278293 A1 *	12/2007	Anderson et al.	235/380
D540,160 S *	4/2007	Konop et al.	D9/415					

* cited by examiner

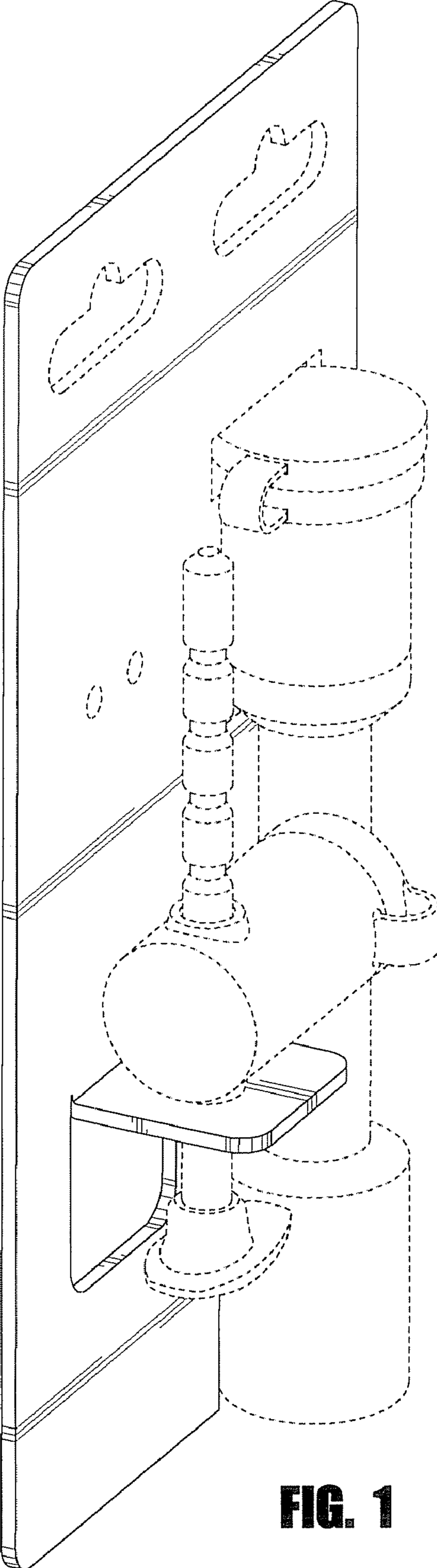


FIG. 1

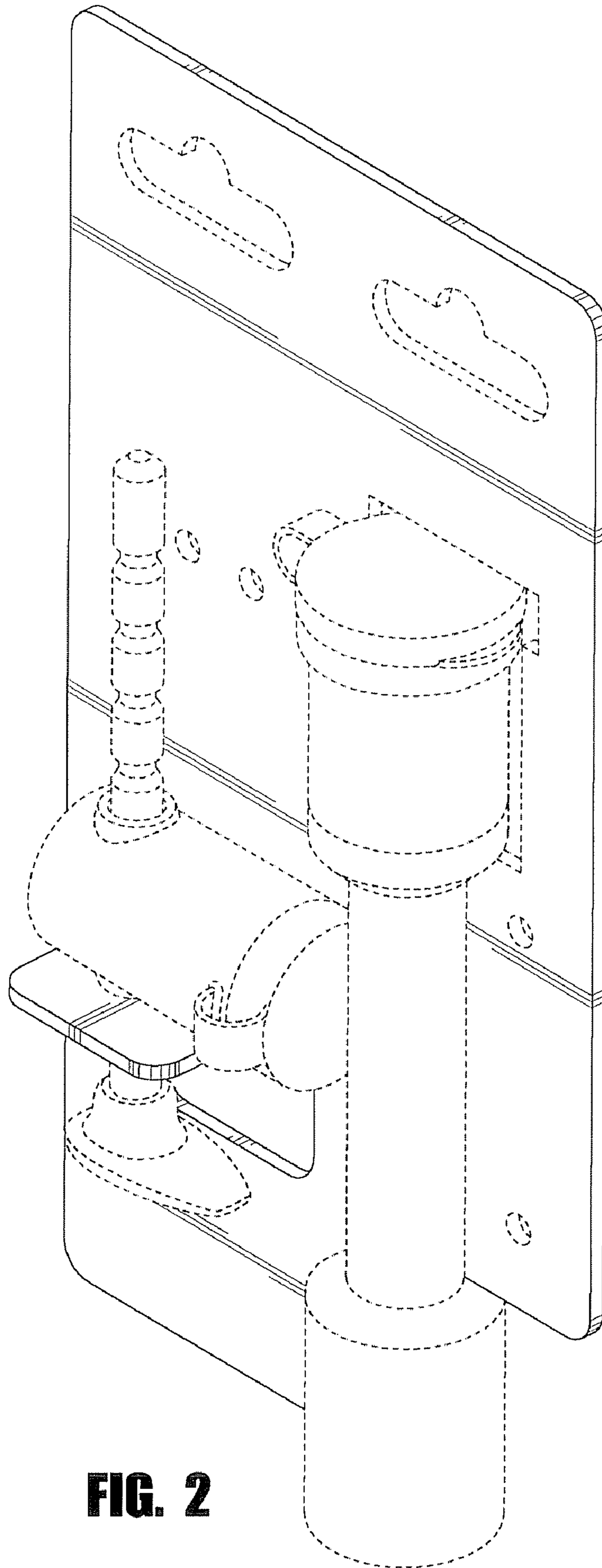


FIG. 2

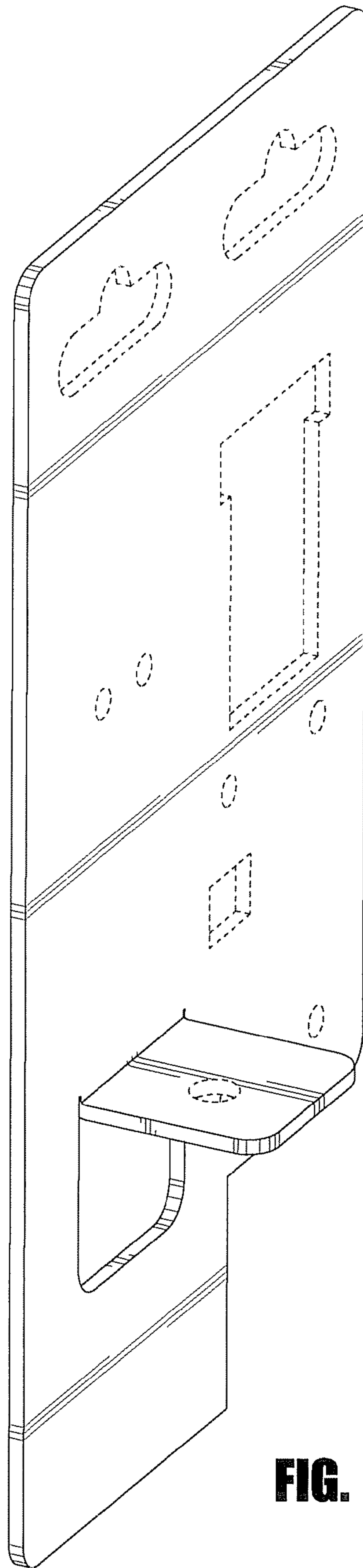


FIG. 3

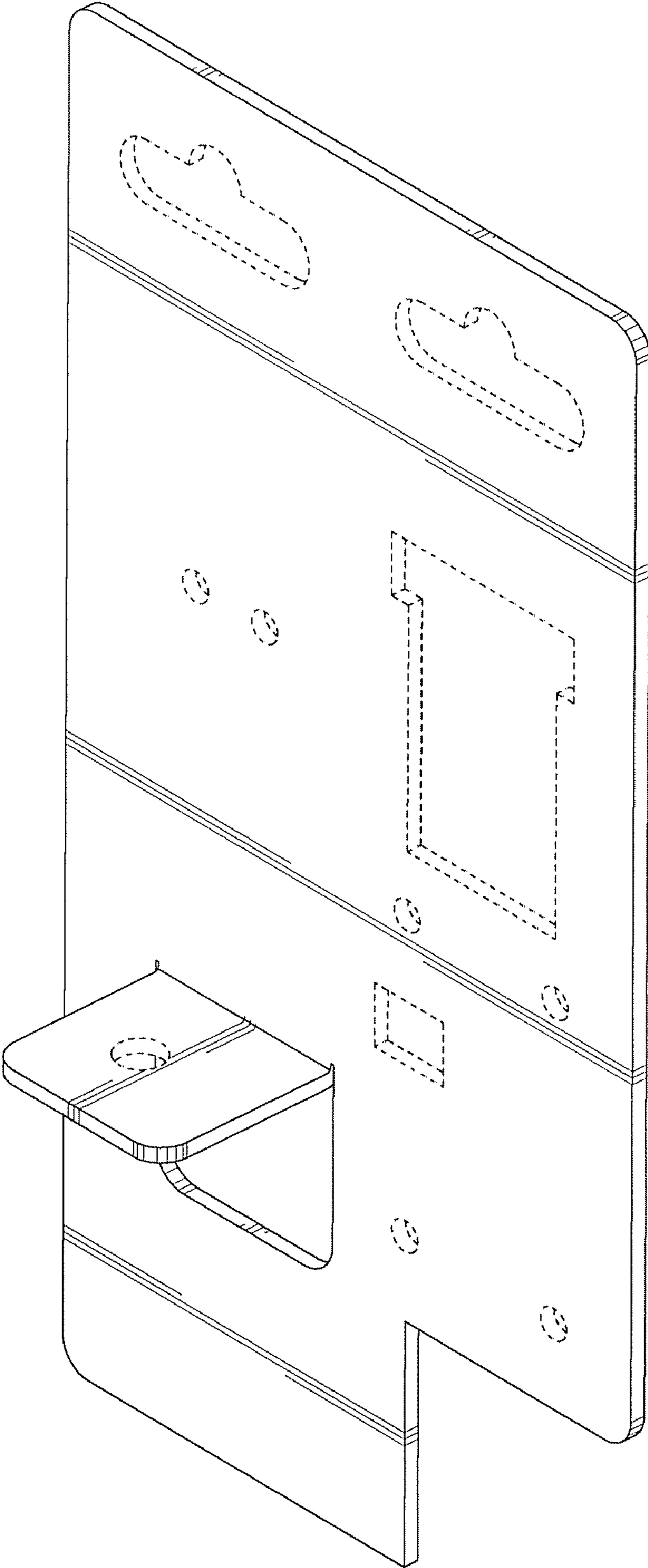


FIG. 4

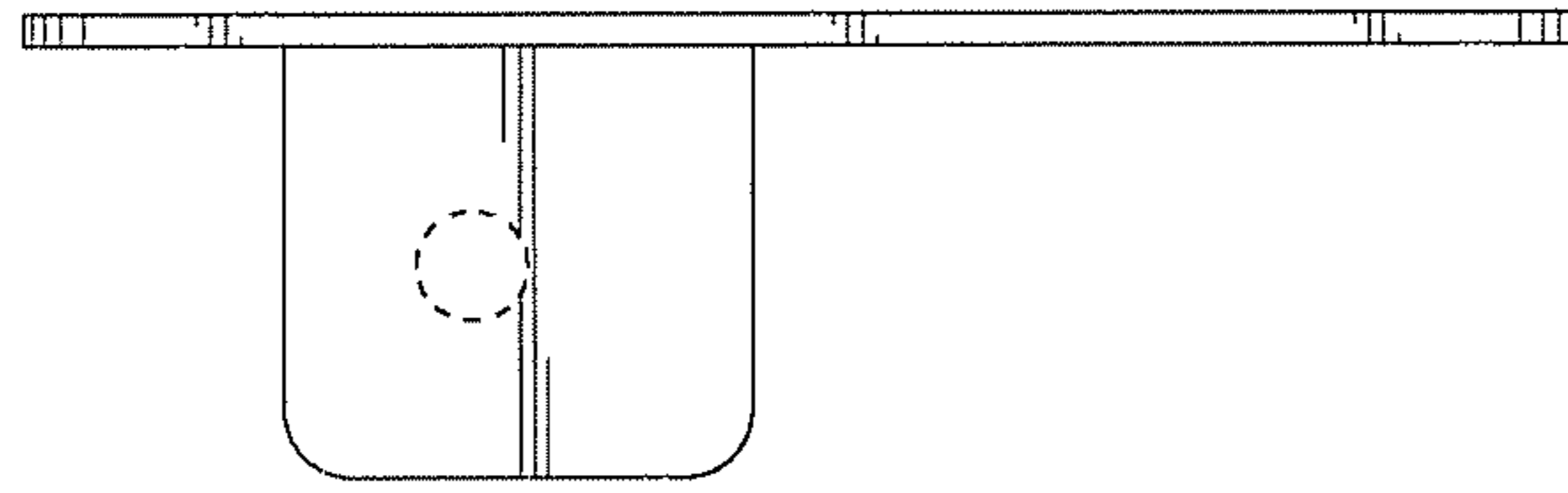


FIG. 6

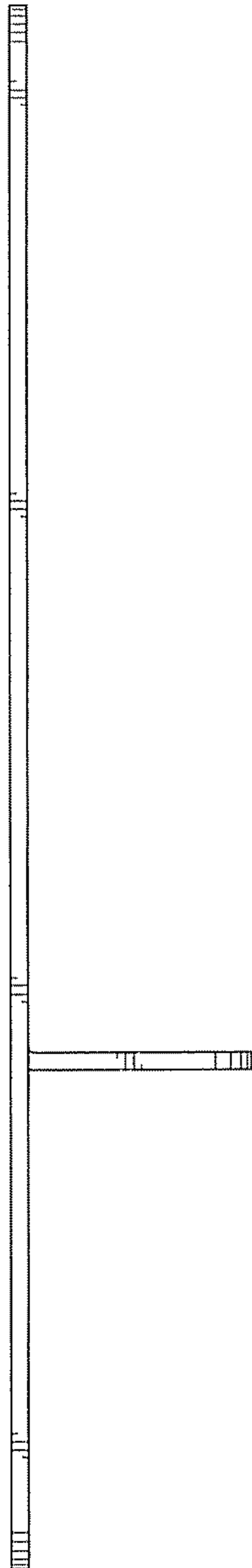


FIG. 8

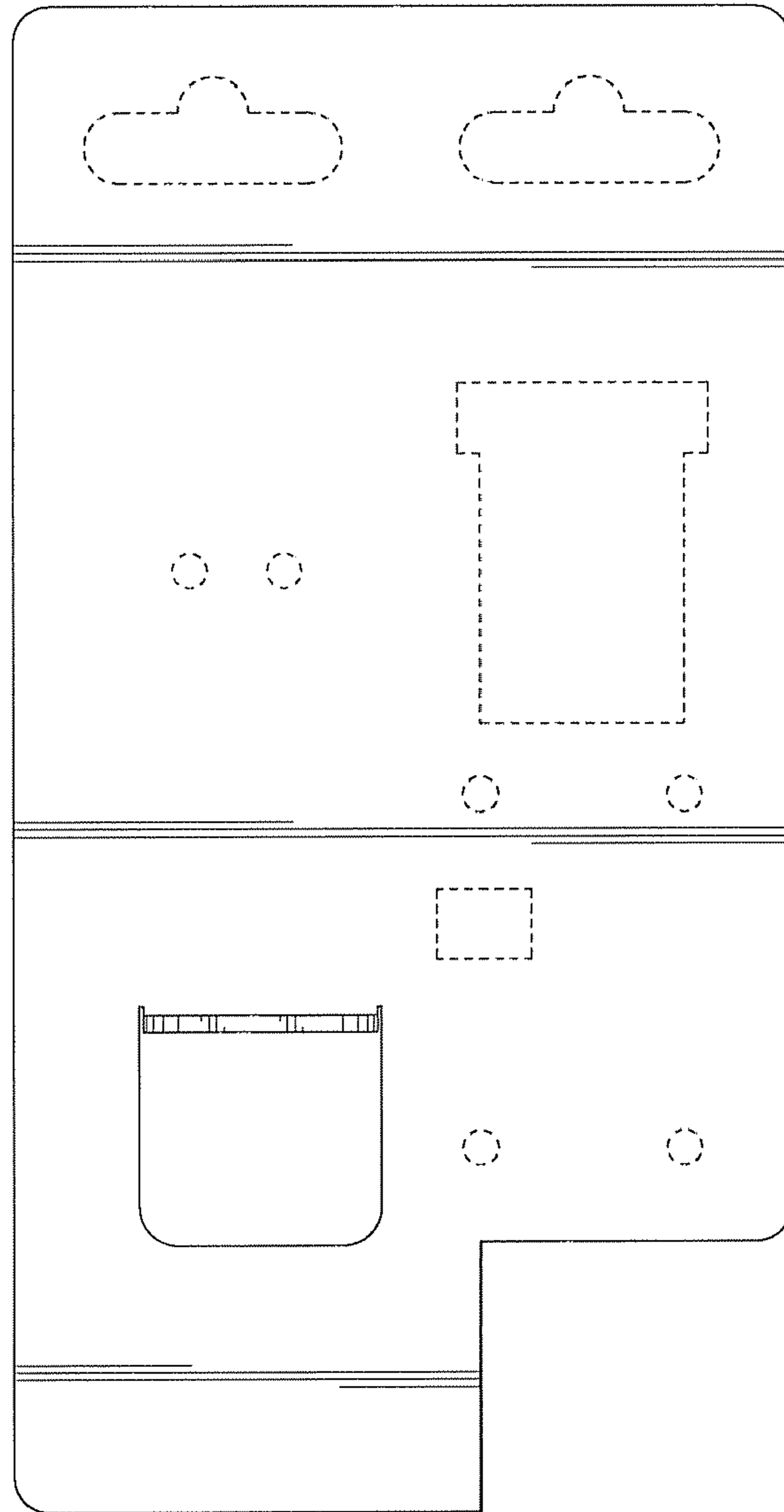


FIG. 7

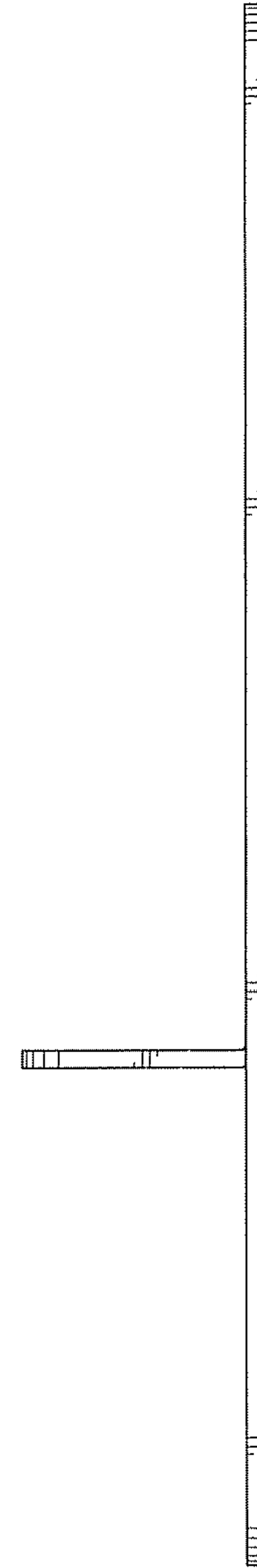


FIG. 5

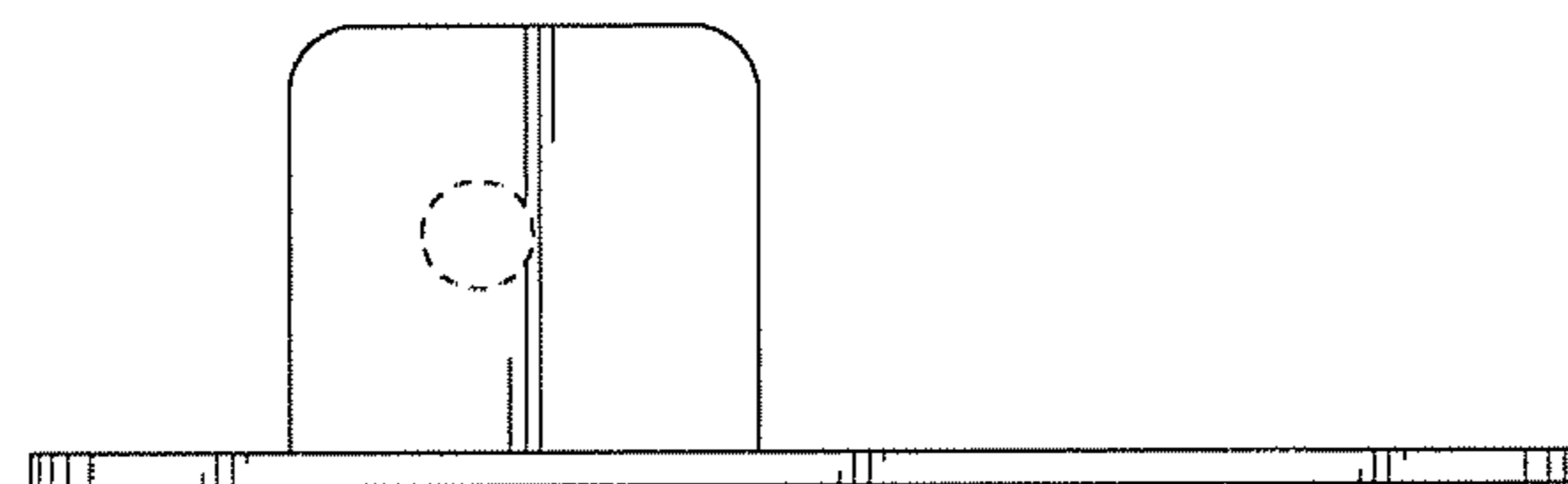


FIG. 9

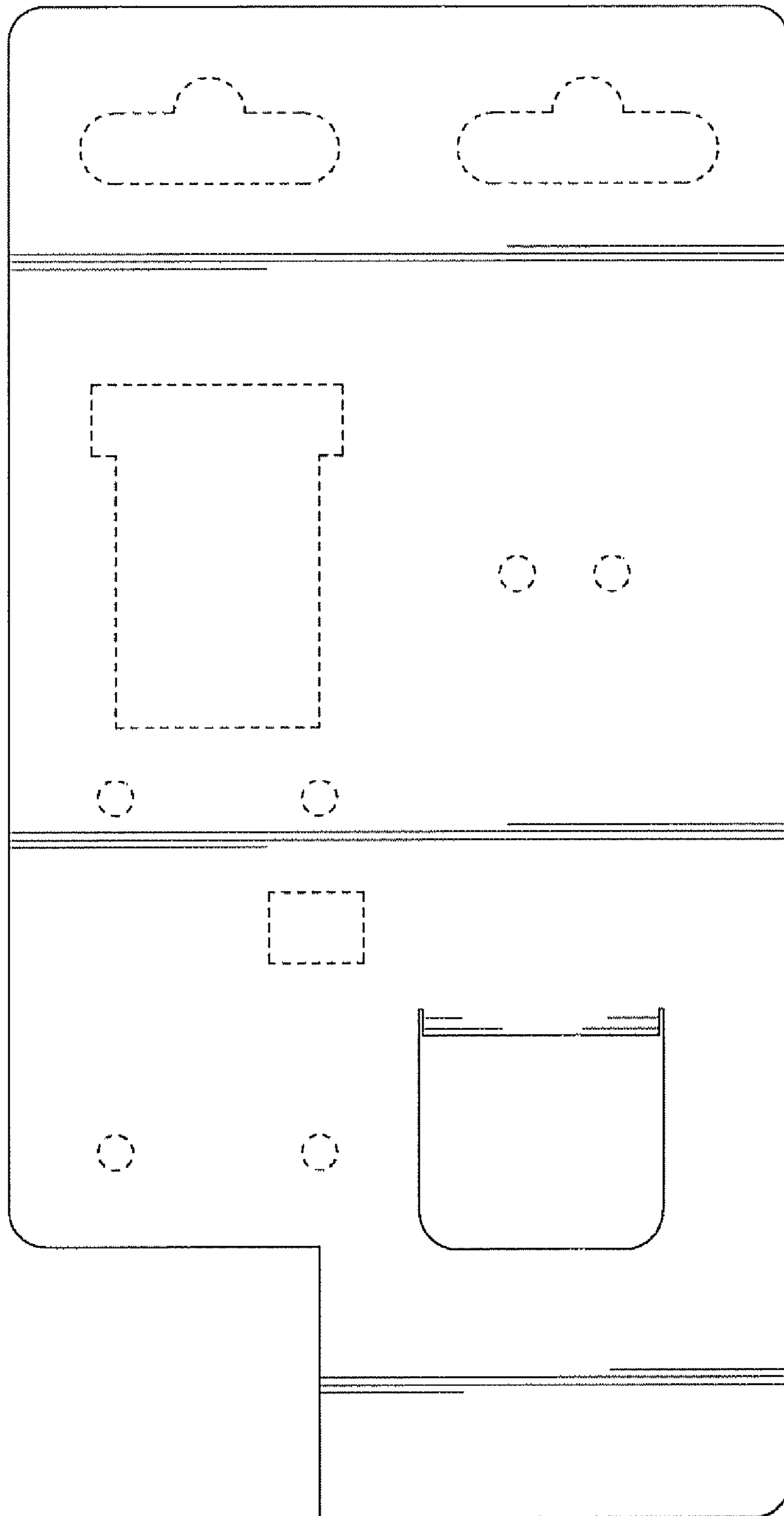


FIG. 10