



US00D571203S

(12) **United States Design Patent**  
**Khaladj et al.**

(10) **Patent No.:** **US D571,203 S**  
(45) **Date of Patent:** **\*\* Jun. 17, 2008**

(54) **NOZZLE PROTECTOR**

(75) Inventors: **Faramarz Khaladj**, Laguna Hills, CA (US); **Fred K. Carr**, Laguna Hills, CA (US)

(73) Assignee: **Plastic and Metal Center, Inc.**, Laguna Hills, CA (US)

(\*\*) Term: **14 Years**

(21) Appl. No.: **29/261,936**

(22) Filed: **Jun. 21, 2006**

(51) **LOC (8) Cl.** ..... **09-07**

(52) **U.S. Cl.** ..... **D9/448**

(58) **Field of Classification Search** ..... D9/686,  
D9/685, 682, 448, 447; 239/333; 222/383.2,  
222/383.1, 340

See application file for complete search history.

(56) **References Cited**

**U.S. PATENT DOCUMENTS**

- D331,365 S \* 12/1992 Davis ..... D9/447
- D525,123 S \* 7/2006 Walters et al. .... D9/448
- D532,299 S \* 11/2006 Kuo ..... D9/448

- D536,970 S \* 2/2007 Shannan et al. .... D9/448
- D538,650 S \* 3/2007 Paas et al. .... D9/448
- 2007/0215648 A1\* 9/2007 Foster et al. .... 222/383.1

\* cited by examiner

*Primary Examiner*—Gary D. Watson

*Assistant Examiner*—Susan B Hattan

(74) *Attorney, Agent, or Firm*—Paul J. Backofen, Esq.;  
Crockett & Crockett

(57) **CLAIM**

The ornamental design for nozzle protector, as shown and described.

**DESCRIPTION**

FIG. 1 is a front view of the nozzle protector of our new design.

FIG. 2 is an oblique view of the left side thereof.

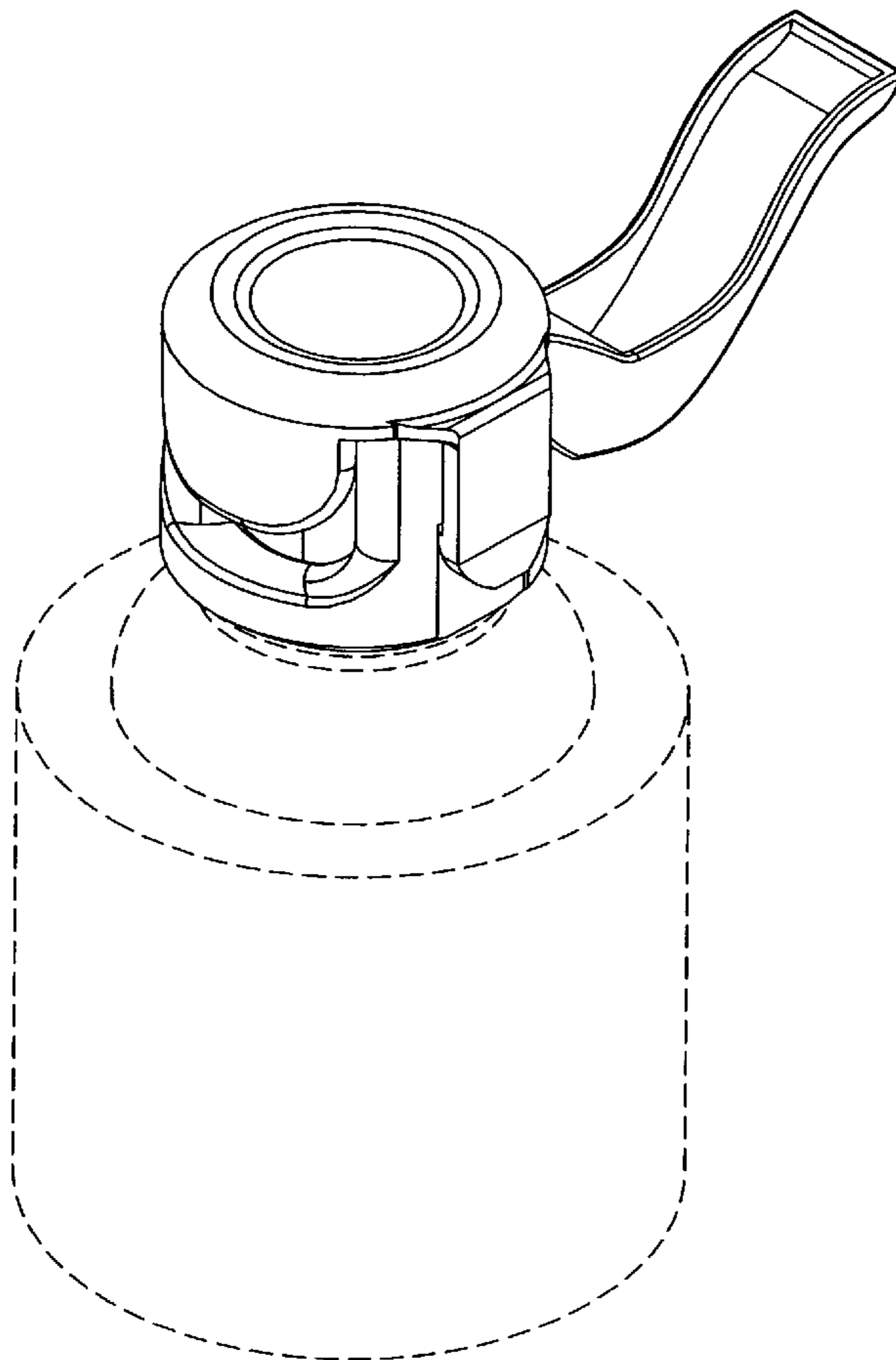
FIG. 3 is an oblique view of the right side thereof.

FIG. 4 is a right side view thereof.

FIG. 5 is a left side view thereof; and,

FIG. 6 is a top view thereof.

**1 Claim, 6 Drawing Sheets**



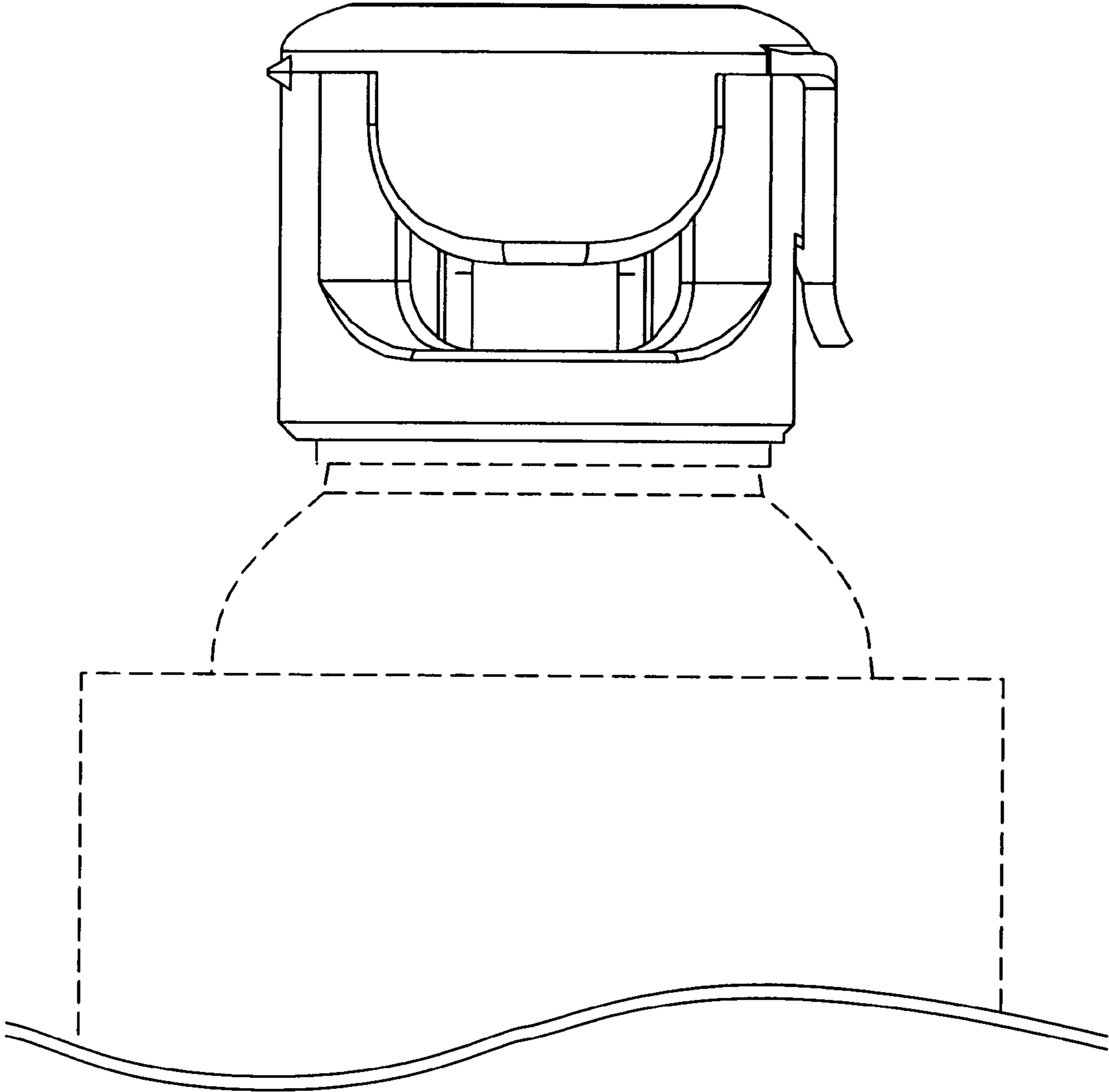


Fig. 1

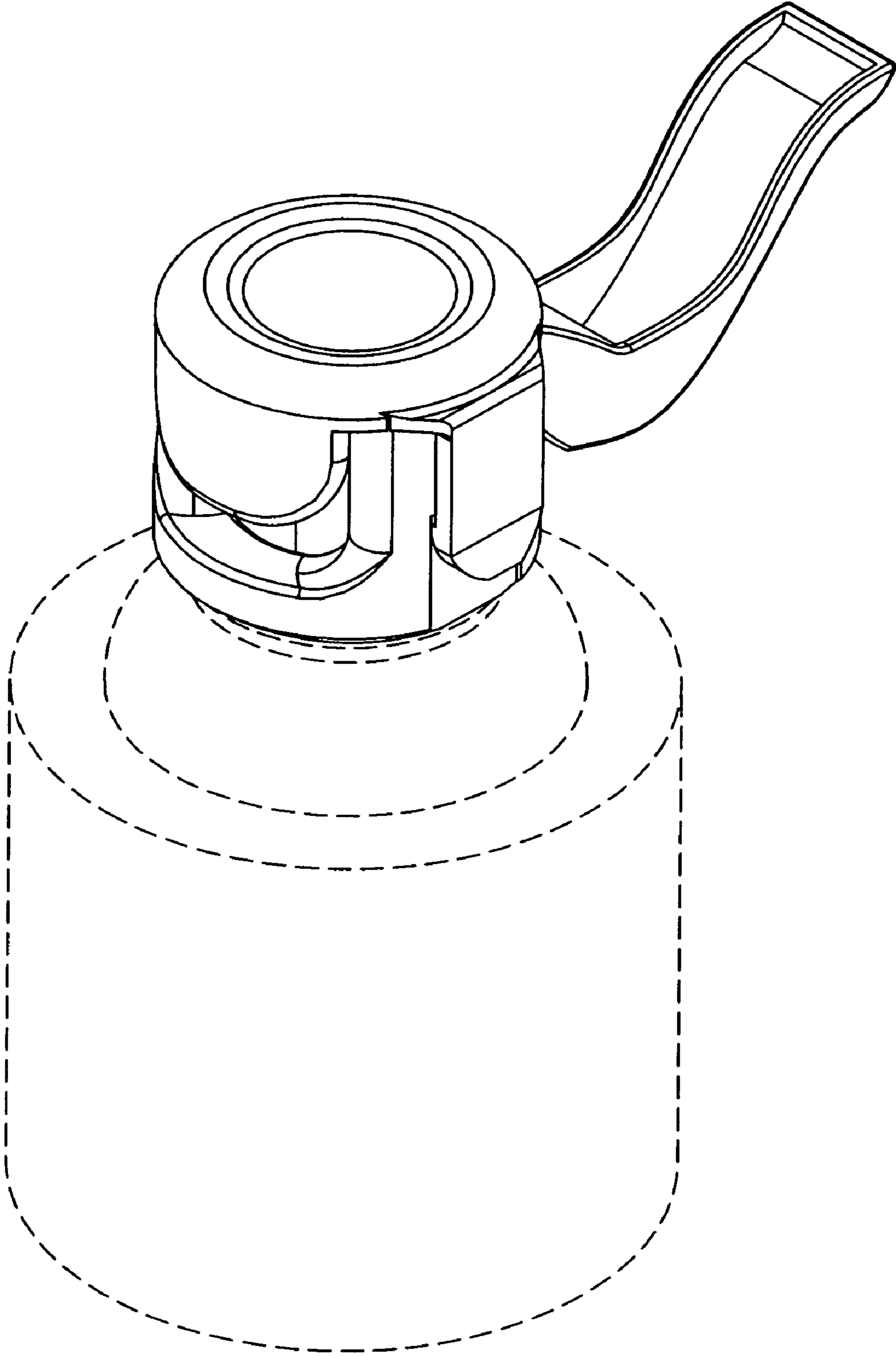


Fig. 2

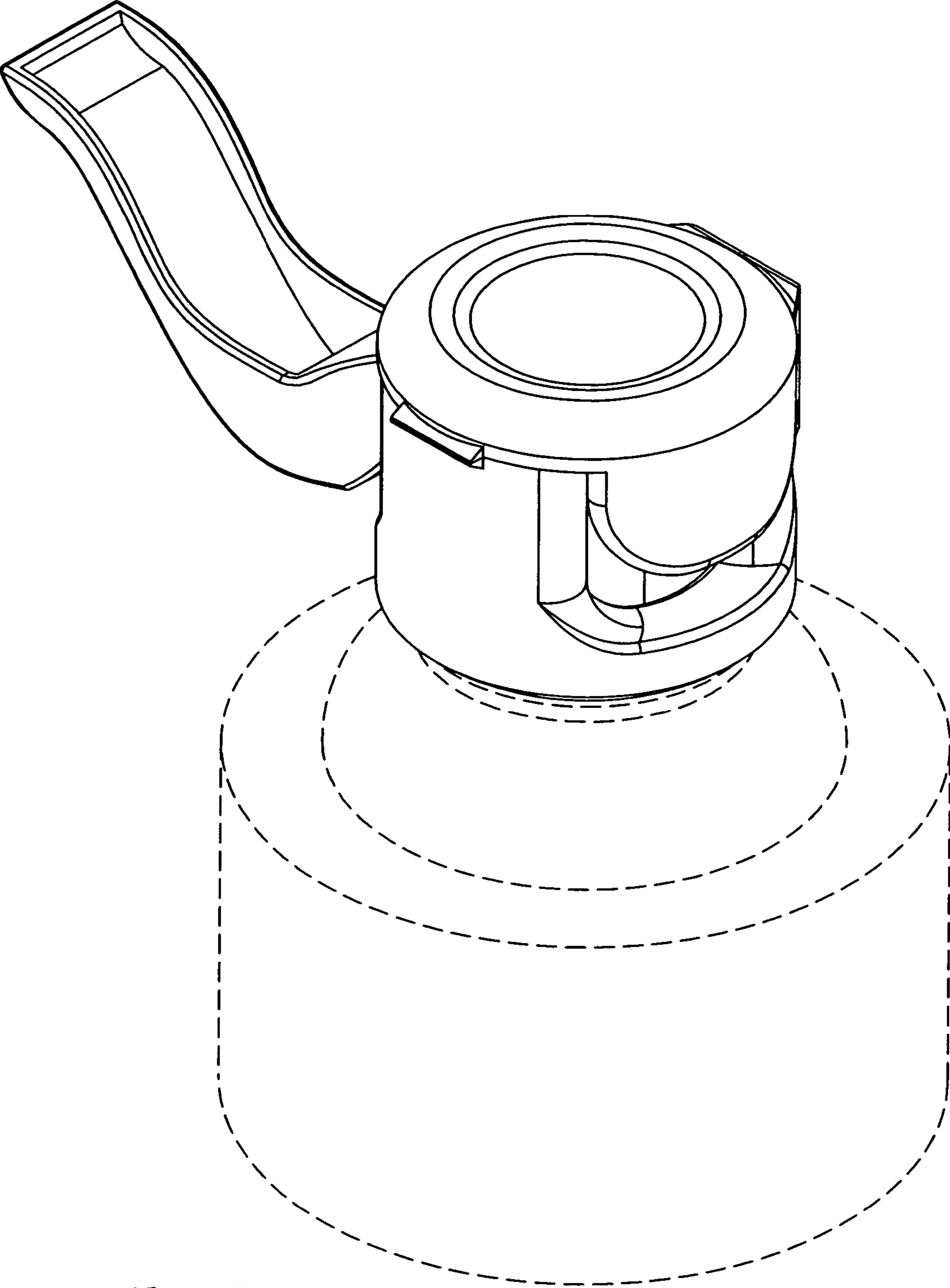


Fig. 3

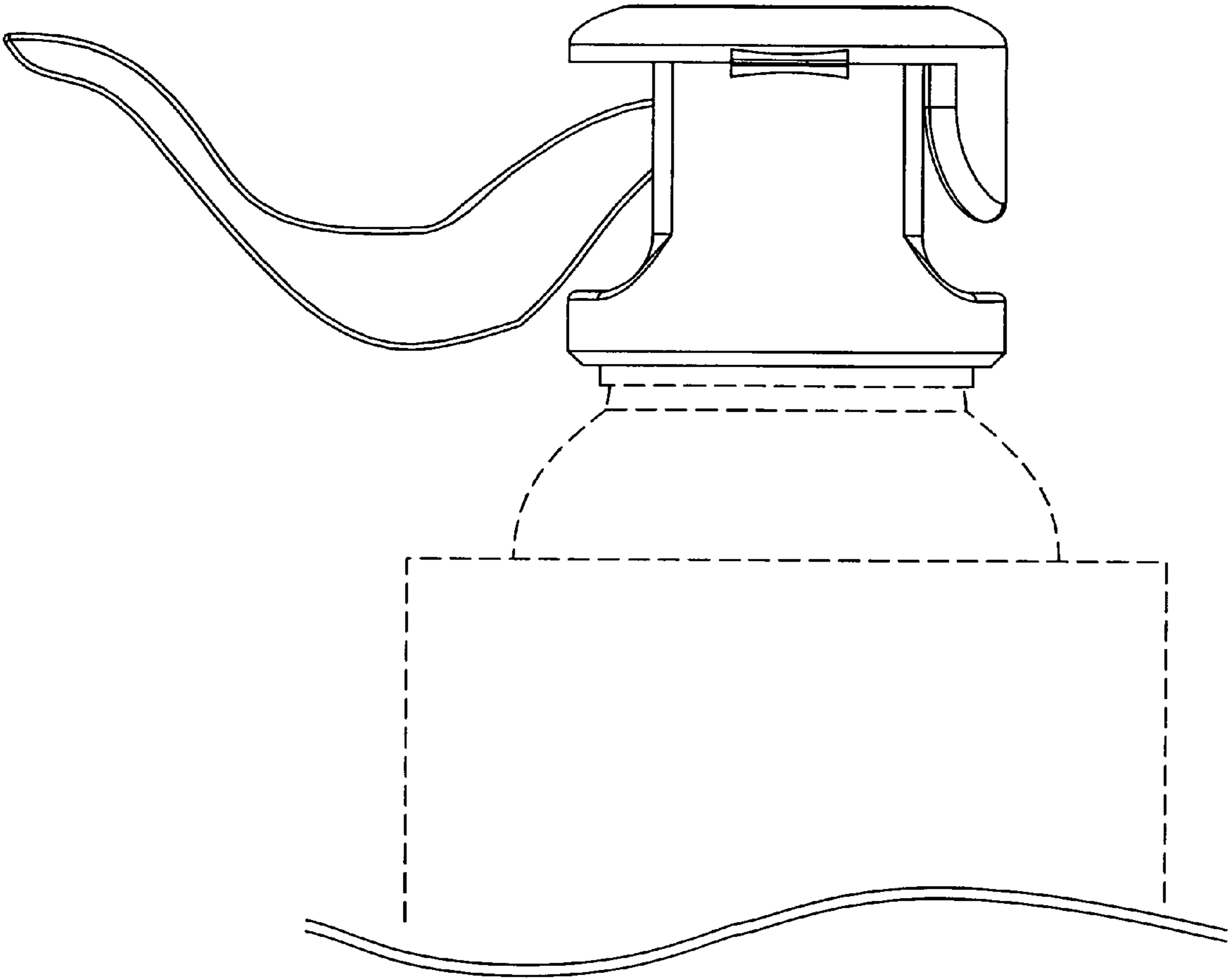


Fig. 4

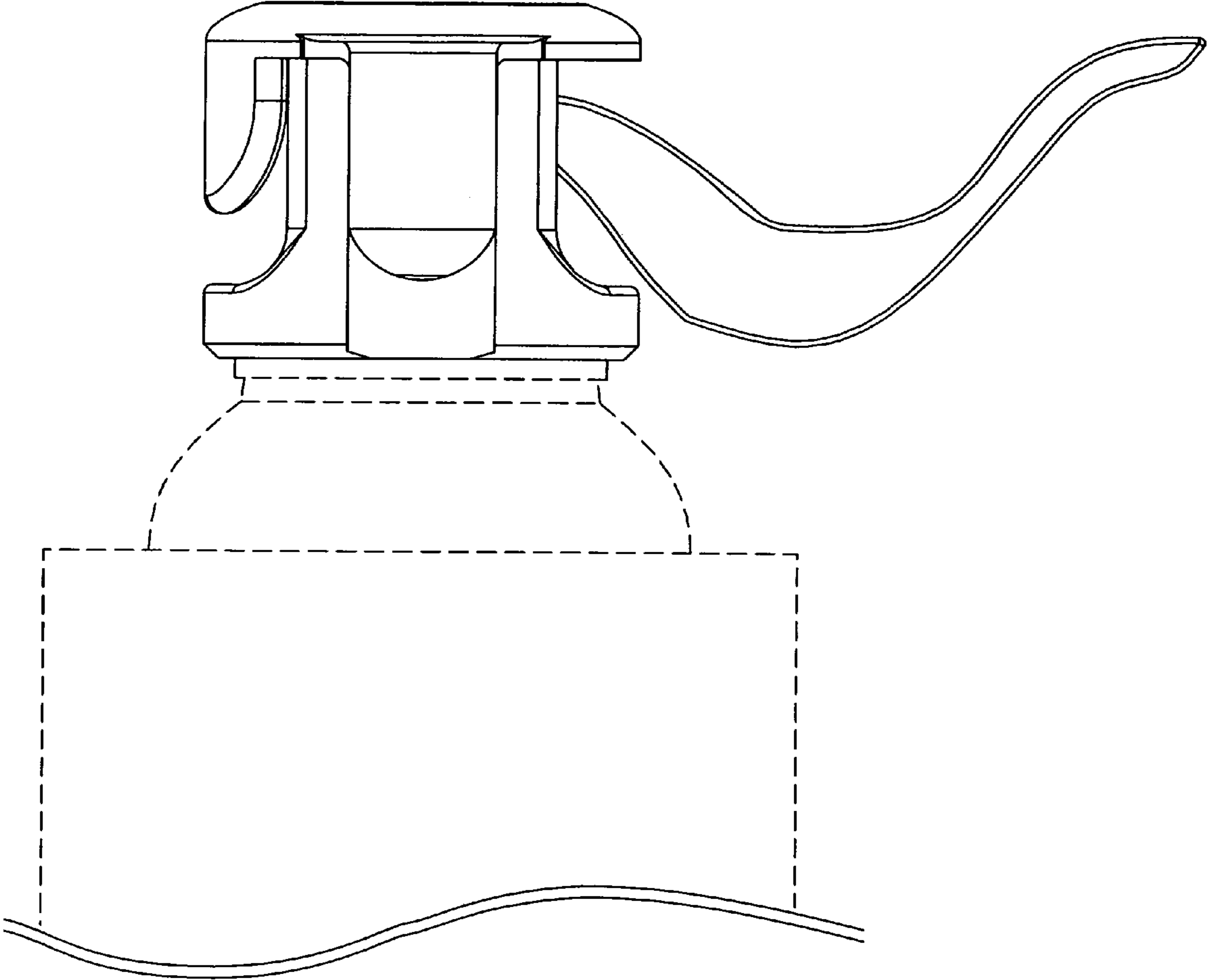


Fig. 5

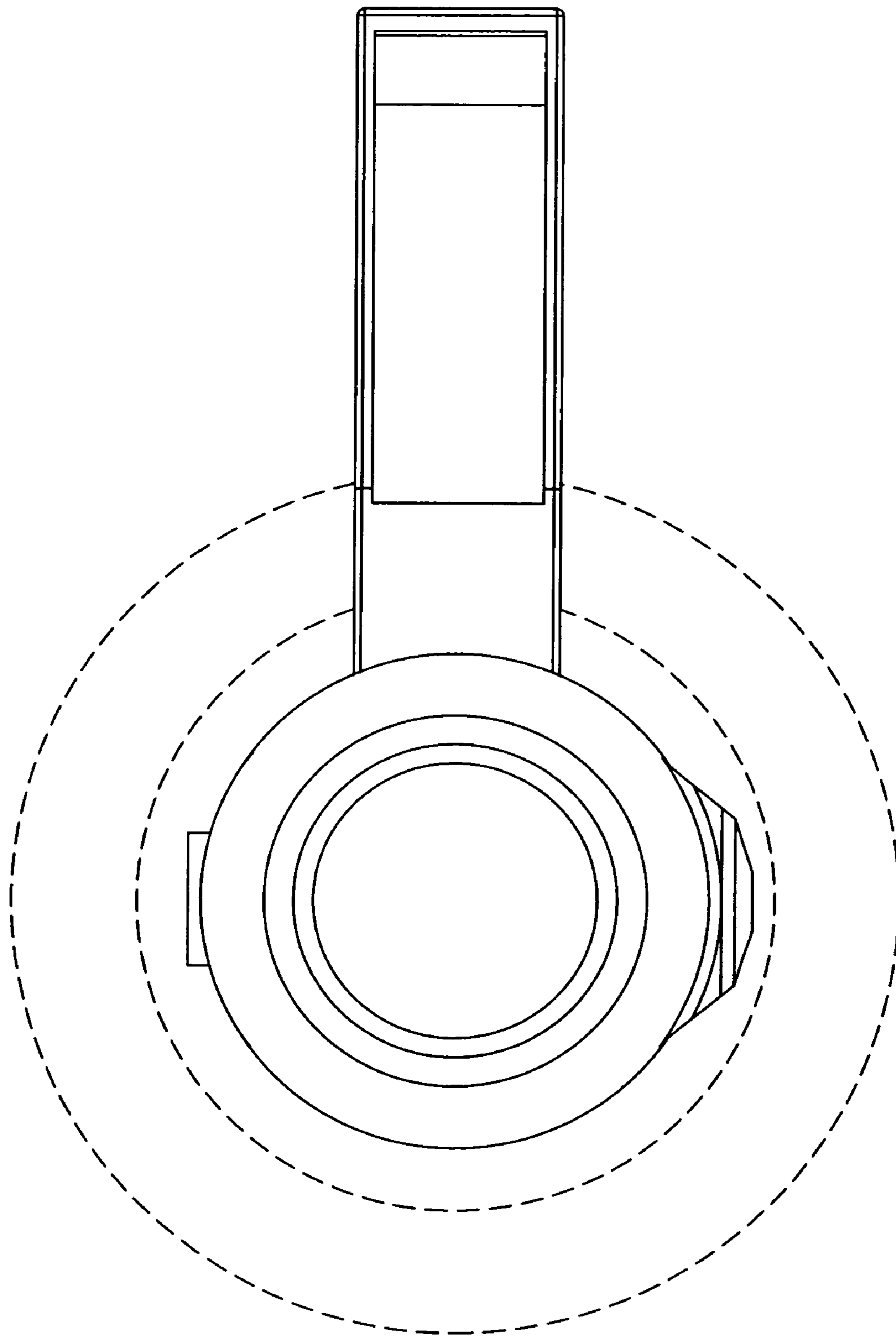


Fig. 6