

US00D571199S

(12) **United States Design Patent**  
**Petrosino et al.**

(10) **Patent No.: US D571,199 S**  
(45) **Date of Patent: \*\* Jun. 17, 2008**

(54) **PERFORATED CONTAINER CAP WITH SEPTUM**

(75) Inventors: **Paul M. Petrosino**, Schoharie, NY (US); **James Crouch**, E. Greenbush, NY (US); **Kevin Frake**, Bristol, PA (US); **Michael Faulkner**, Gardner, MA (US)

(73) Assignee: **Integrated Liner Technologies**, Albany, NY (US)

(\*\*) Term: **14 Years**

(21) Appl. No.: **29/284,653**

(22) Filed: **Sep. 12, 2007**

(51) **LOC (8) Cl.** ..... **09-07**

(52) **U.S. Cl.** ..... **D9/435; D9/454; D9/447**

(58) **Field of Classification Search** ..... D9/454, D9/453, 452, 448, 445, 444, 436, 435, 425; D7/629, 587, 392.1, 391; D3/318; 220/802, 220/784, 781, 780, 737; 215/317, 316, 270, 215/261; D24/196

See application file for complete search history.

(56) **References Cited**

U.S. PATENT DOCUMENTS

2,643,785	A	*	6/1953	Rust, Sr.	.....	215/11.3
4,220,248	A		9/1980	Wilson et al.		
D262,192	S	*	12/1981	Wedge	.....	D9/435
4,993,606	A		2/1991	Bolen, Jr. et al.		
5,088,612	A		2/1992	Storar et al.		
5,358,872	A	*	10/1994	Mussi et al.	.....	215/261
D405,530	S	*	2/1999	Manganiello et al.	.....	D24/196
5,931,828	A		8/1999	Durkee		

D417,847	S	*	12/1999	Rush et al.	.....	D9/454
D442,864	S	*	5/2001	Davies	.....	D9/454
D481,801	S	*	11/2003	Whitley	.....	D9/435
D513,181	S	*	12/2005	Bloom et al.	.....	D9/453
D516,911	S	*	3/2006	Bloom et al.	.....	D9/453
D518,717	S	*	4/2006	German	.....	D9/453
D518,718	S	*	4/2006	von Spreckelsen et al.	..	D9/453
7,100,646	B2		9/2006	Py et al.		
D533,781	S	*	12/2006	Freisem et al.	.....	D9/453
D534,802	S	*	1/2007	German	.....	D9/453

OTHER PUBLICATIONS

U.S. Appl. No. 11/854,203, filed Sep. 12, 2007, Petrosino, et al.  
U.S. Appl. No. 29/284,651, filed Sep. 12, 2007, Petrosino, et al.

\* cited by examiner

*Primary Examiner*—Gary D. Watson  
*Assistant Examiner*—Susan Bennett Hattan

(74) *Attorney, Agent, or Firm*—Heslin Rothenberg Farley & Mesiti P.C.

(57) **CLAIM**

The ornamental design for a perforated container cap with septum, as shown and described.

**DESCRIPTION**

FIG. 1 is a perspective view of a perforated container cap with septum comprising the new design;

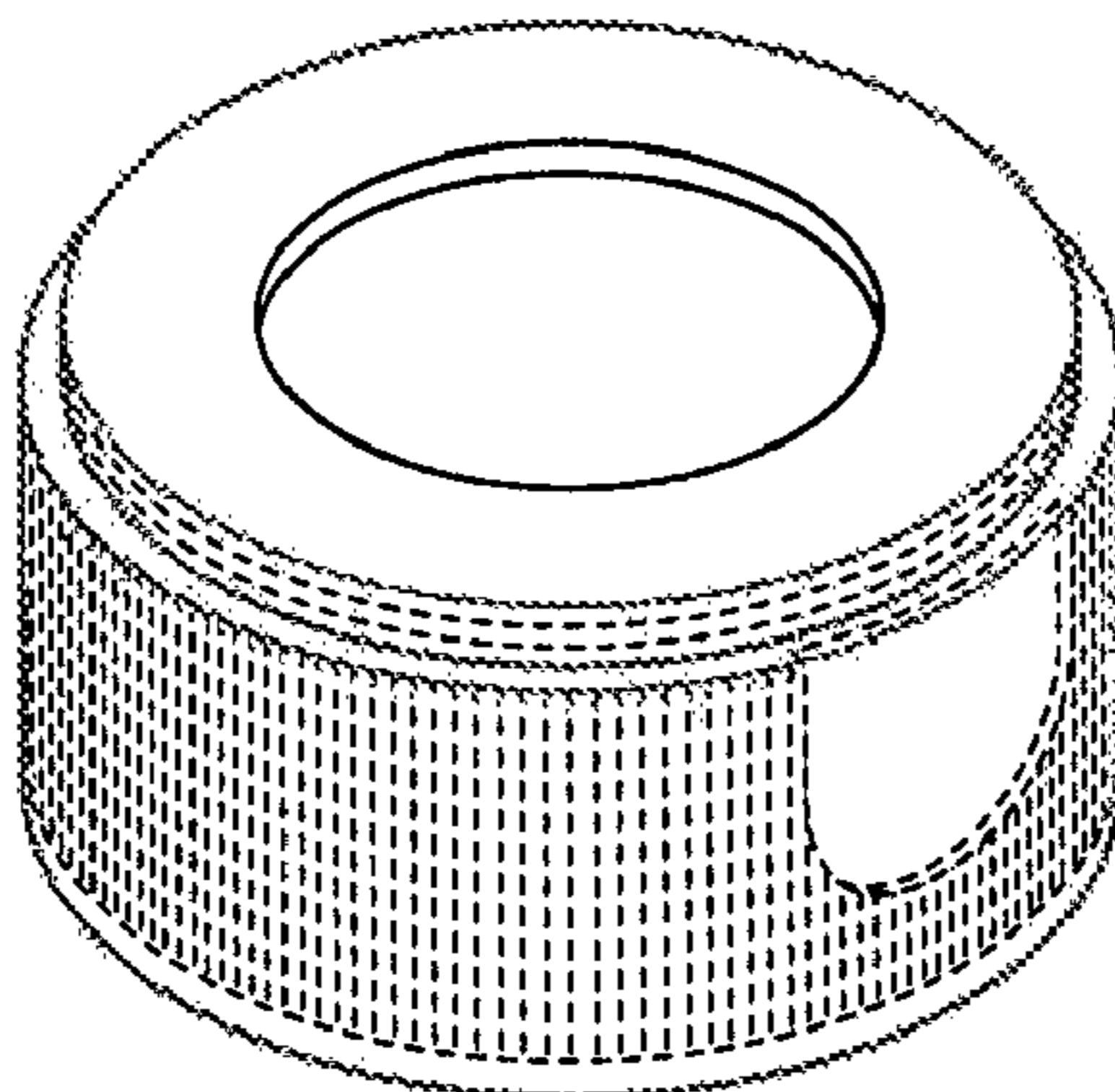
FIG. 2 is a top view thereof;

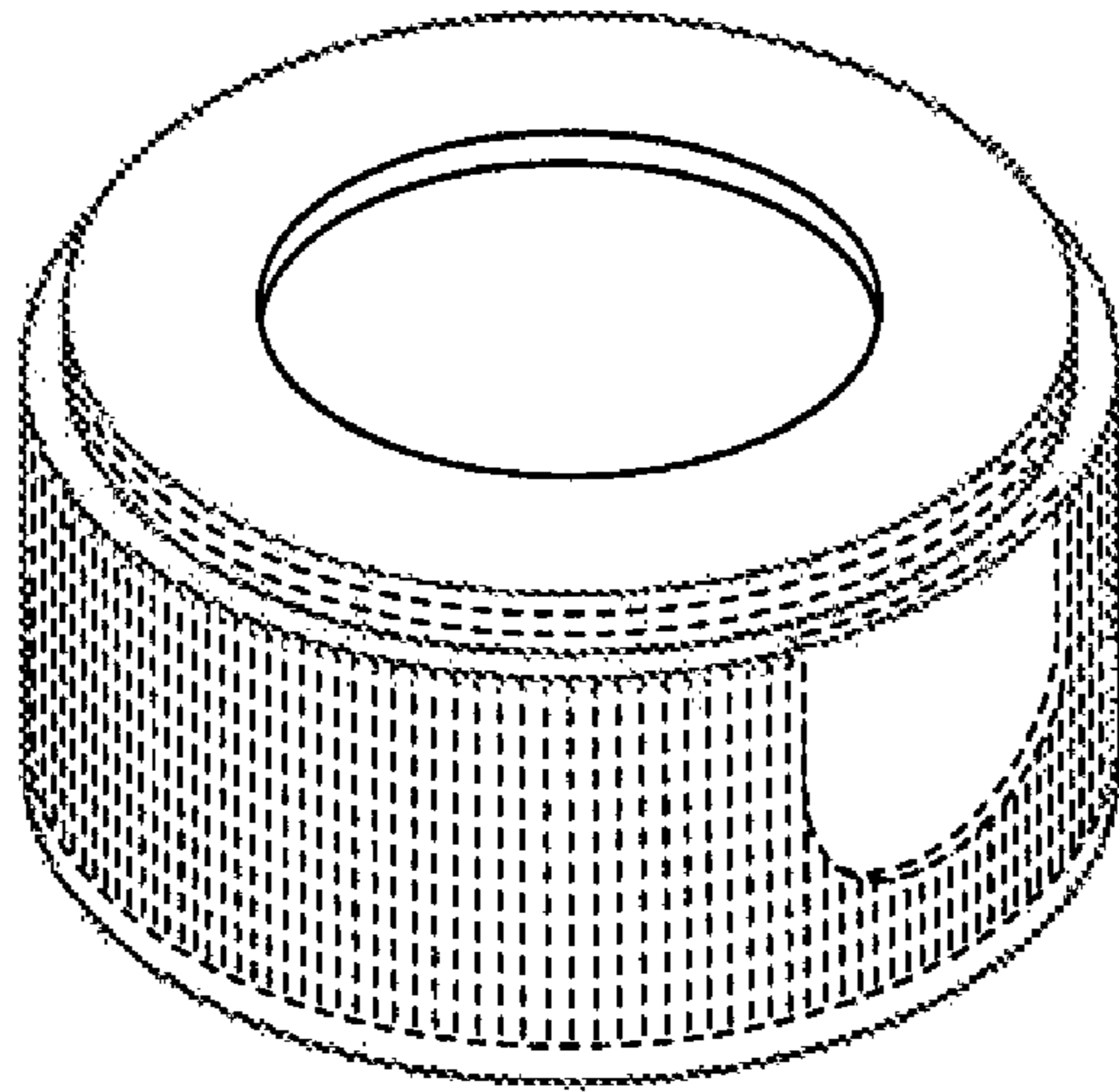
FIG. 3 is a side elevation view thereof; and,

FIG. 4 is a bottom view thereof.

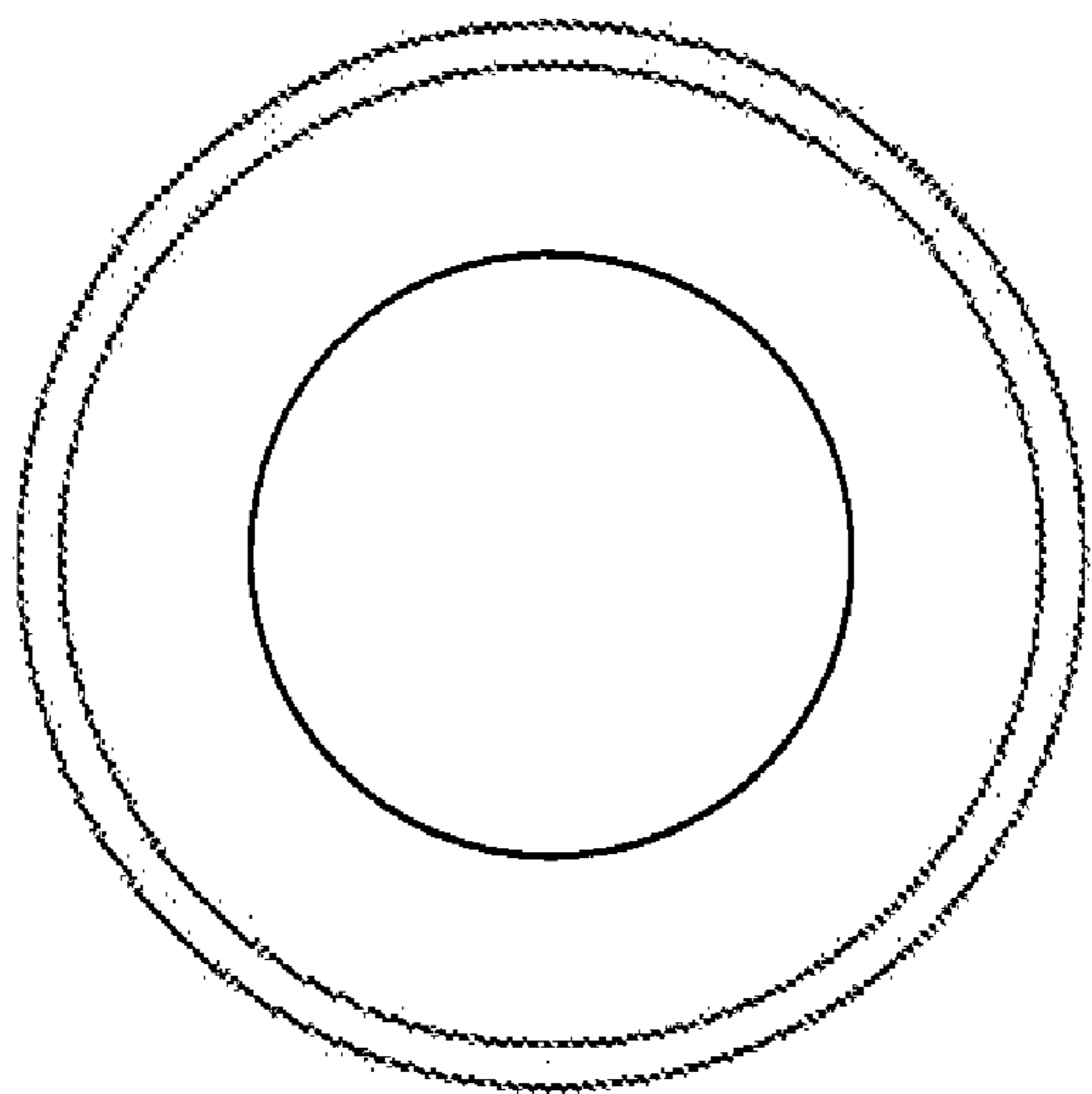
The broken lines are for illustrative purposes and form no part of the claimed design.

**1 Claim, 2 Drawing Sheets**

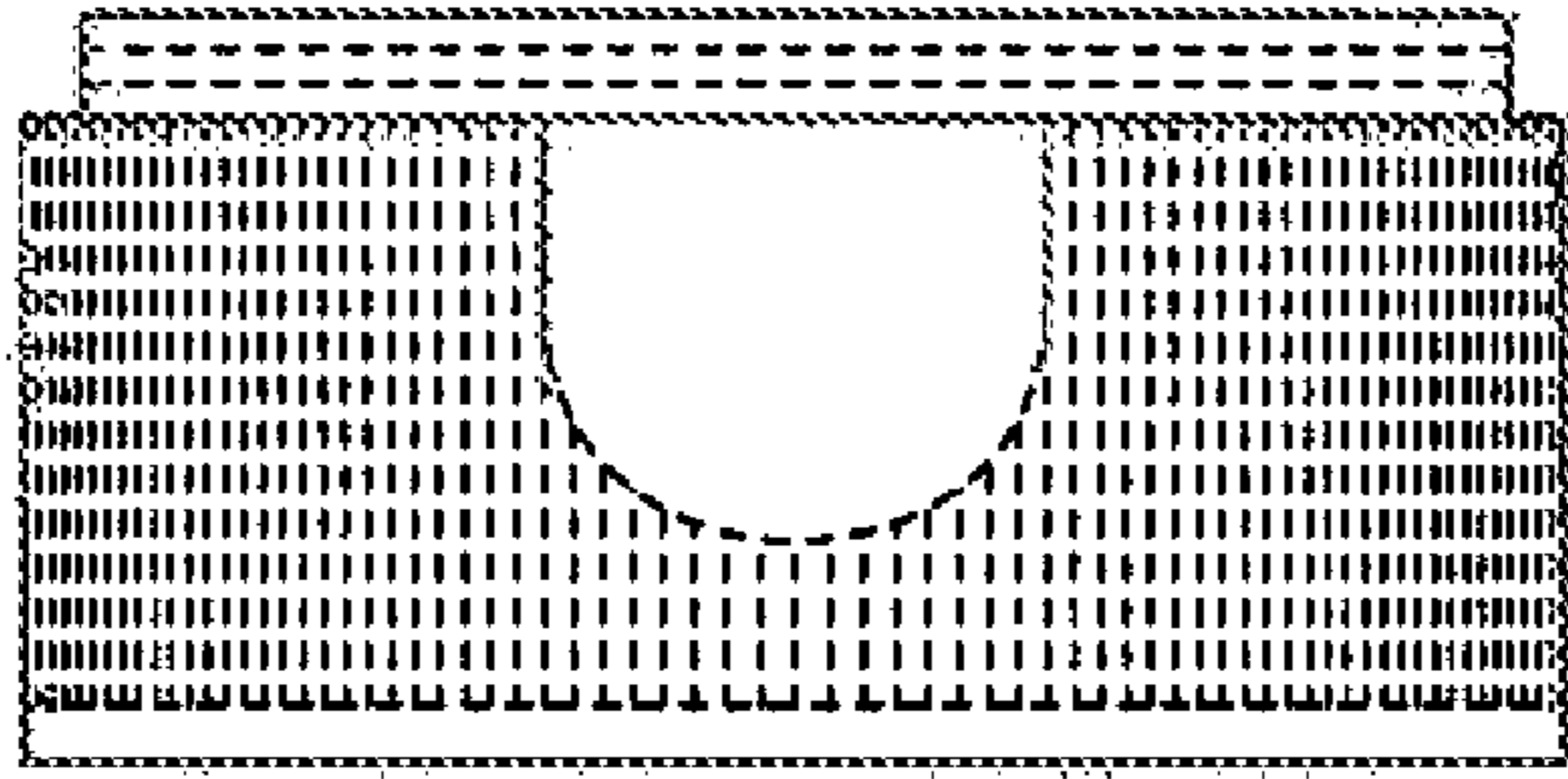




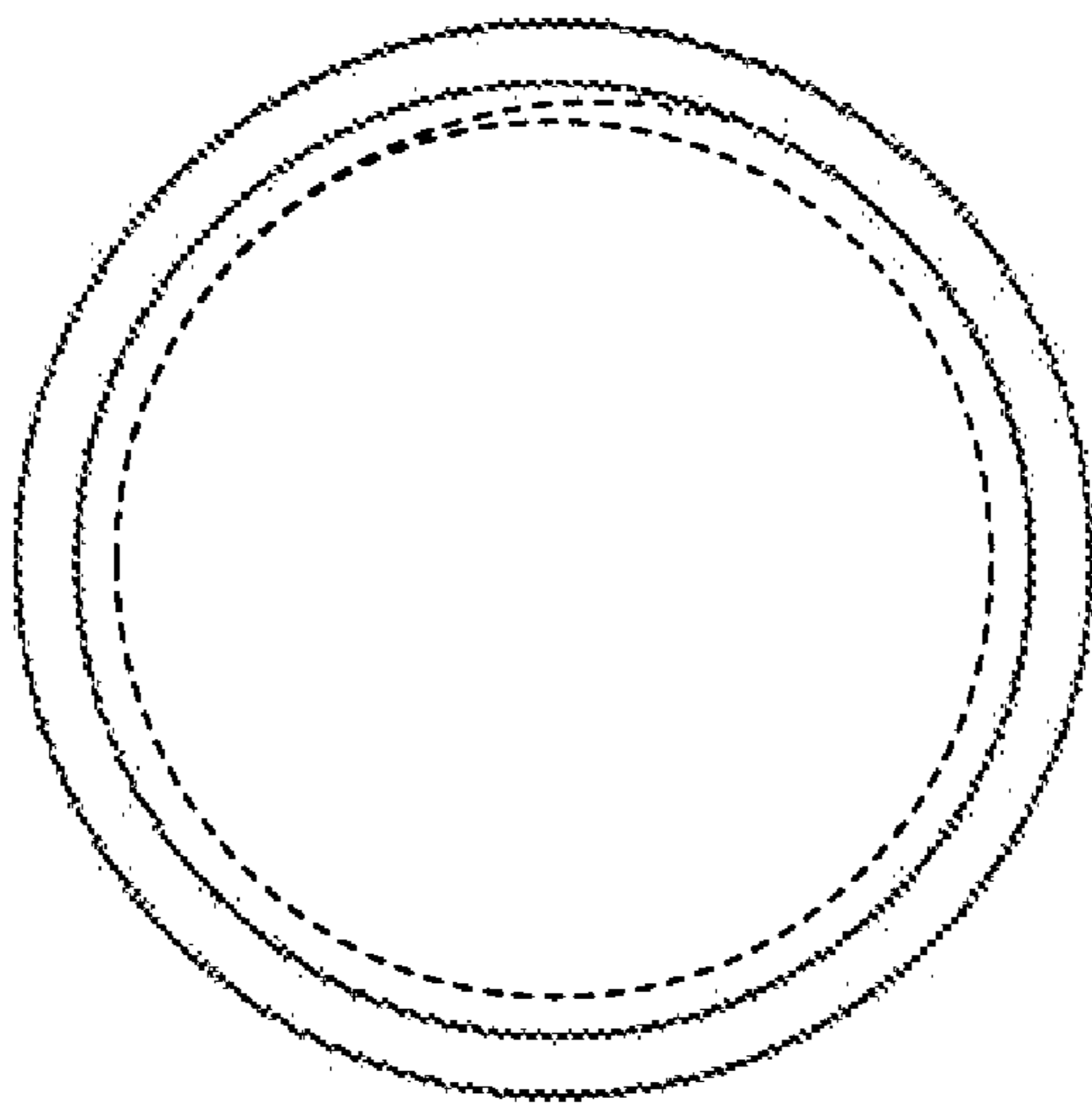
***FIG. 1***



***FIG. 2***



**FIG. 3**



**FIG. 4**

UNITED STATES PATENT AND TRADEMARK OFFICE  
**CERTIFICATE OF CORRECTION**

PATENT NO. : Des. 571,199 S  
APPLICATION NO. : 29/284653  
DATED : June 17, 2008  
INVENTOR(S) : Petrosino et al.

Page 1 of 4

It is certified that error appears in the above-identified patent and that said Letters Patent is hereby corrected as shown below:

The Title page, showing an illustrative figure, should be deleted and substitute therefor the attached title page

Delete Drawing Sheet 1-2 and substitute therefor the Drawing Sheets consisting of fig. 1-4 as shown on the attached pages

Signed and Sealed this

Thirtieth Day of September, 2008

A handwritten signature in black ink that reads "Jon W. Dudas". The signature is written in a cursive style with a large, stylized initial "J".

JON W. DUDAS

*Director of the United States Patent and Trademark Office*

(12) **United States Design Patent** (10) **Patent No.:** **US D571,199 S**  
**Petrosino et al.** (45) **Date of Patent:** **\*\* Jun. 17, 2008**

(54) **PERFORATED CONTAINER CAP WITH SEPTUM**

(75) **Inventors:** **Paul M. Petrosino**, Schoharie, NY (US); **James Crouch**, E. Greenbush, NY (US); **Kevin Frake**, Bristol, PA (US); **Michael Faulkner**, Gardner, MA (US)

(73) **Assignee:** **Integrated Liner Technologies**, Albany, NY (US)

(\*\*) **Term:** **14 Years**

(21) **Appl. No.:** **29/284,653**

(22) **Filed:** **Sep. 12, 2007**

(51) **LOC (8) Cl.** ..... **09-07**

(52) **U.S. Cl.** ..... **D9/435; D9/454; D9/447**

(58) **Field of Classification Search** ..... **D9/454, D9/453, 452, 448, 445, 444, 436, 435, 425; D7/629, 587, 392.1, 391; D3/318; 220/802, 220/784, 781, 780, 737; 215/317, 316, 270, 215/261; D24/196**

See application file for complete search history.

(56) **References Cited**

**U.S. PATENT DOCUMENTS**

2,643,785	A *	6/1953	Rust, Sr.	.....	215/11.3
4,220,248	A	9/1980	Wilson et al.		
13262,192	S *	12/1981	Wedge	.....	D9/435
4,993,606	A	2/1991	Bolen, Jr. et al.		
5,088,612	A	2/1992	Storar et al.		
5,358,872	A *	10/1994	Mussi et al.	.....	215/261
D405,530	S *	2/1999	Manganiello et al.	.....	D24/196
5,931,828	A	8/1999	Durkee		

D417,847	S *	12/1999	Rush et al.	.....	D9/454
D442,864	S *	5/2001	Davies	.....	D9/454
D481,801	S *	11/2003	Whitley	.....	D9/435
D513,181	S *	12/2005	Bloom et al.	.....	D9/453
D516,911	S *	3/2006	Bloom et al.	.....	D9/453
D518,717	S *	4/2006	German	.....	D9/453
D518,718	S *	4/2006	von Spreckelsen et al.	..	D9/453
7,100,646	B2	9/2006	Py et al.		
D533,781	S *	12/2006	Freisem et al.	.....	D9/453
D534,802	S *	1/2007	German	.....	D9/453

**OTHER PUBLICATIONS**

U.S. Appl. No. 11/854,203, filed Sep. 12, 2007, Petrosino, et al.  
 U.S. Appl. No. 29/284,651, filed Sep. 12, 2007, Petrosino, et al.

\* cited by examiner

*Primary Examiner*---Gary D. Watson  
*Assistant Examiner*---Susan Bennett Hattan

(74) *Attorney, Agent, or Firm*---Heslin Rothenberg Farley & Mesiti P.C.

(57) **CLAIM**

The ornamental design for a perforated container cap with septum, as shown and described.

**DESCRIPTION**

FIG. 1 is a perspective view of a perforated container cap with septum comprising the new design;

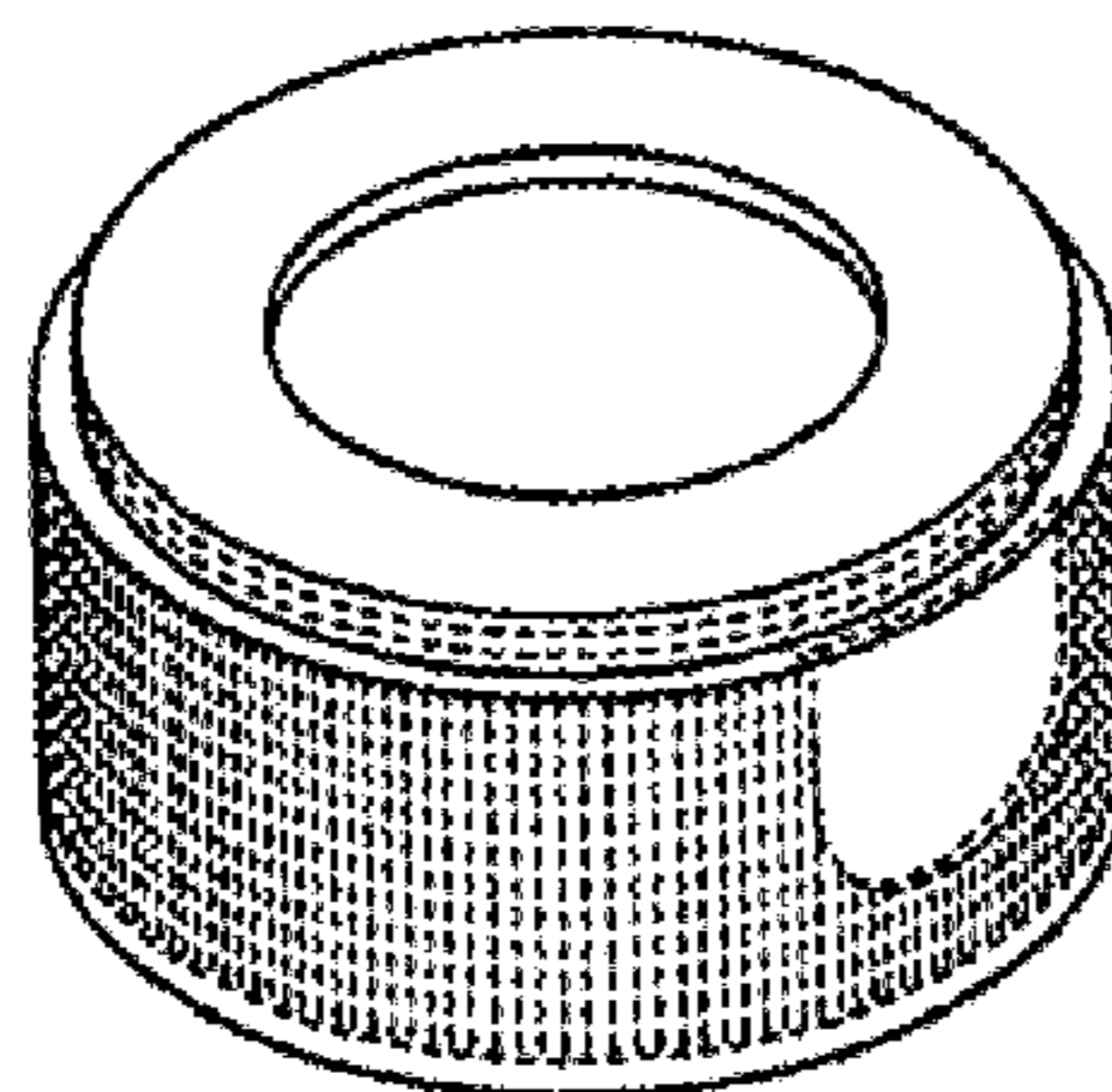
FIG. 2 is a top view thereof;

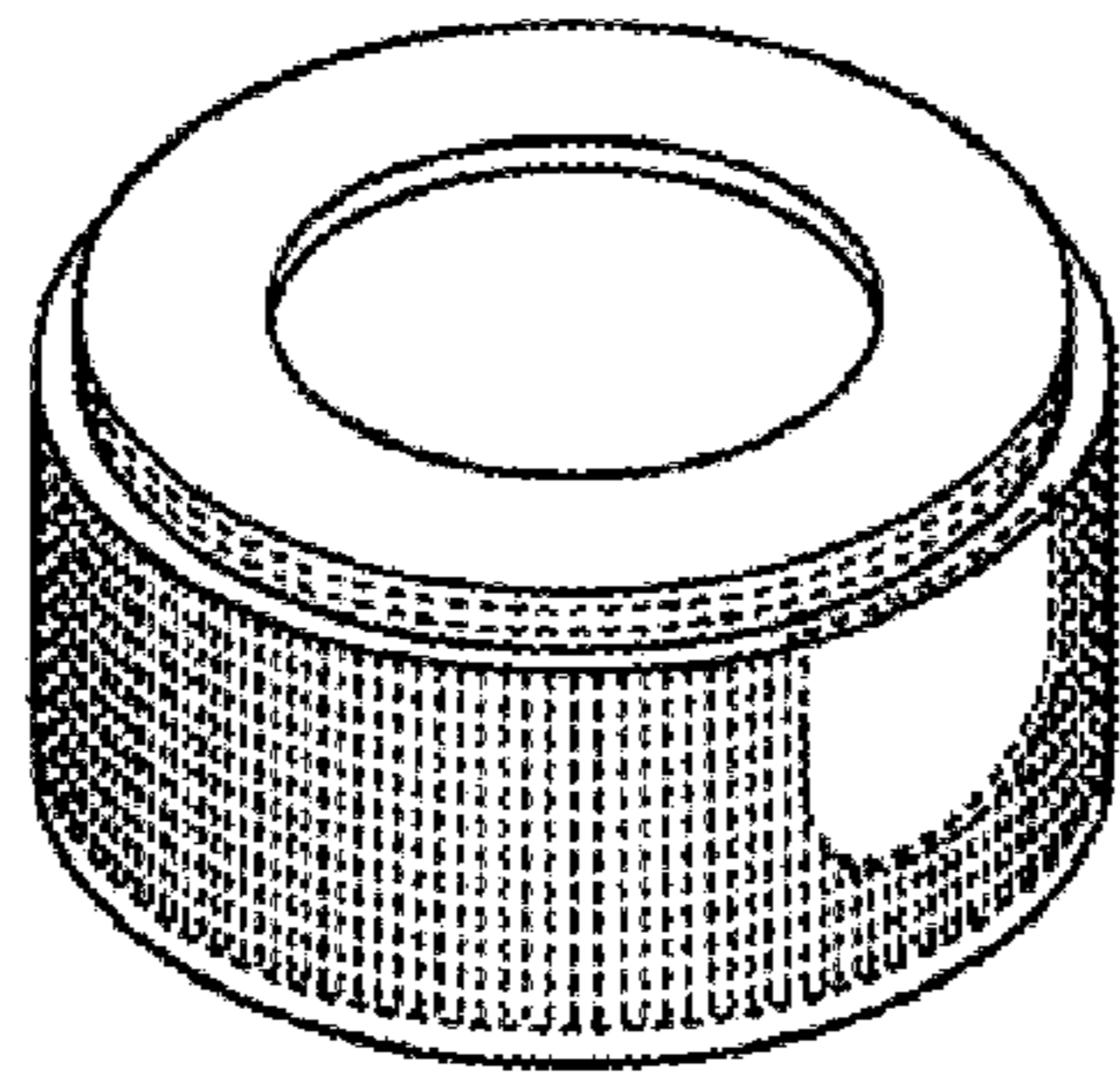
FIG. 3 is a side elevation view thereof; and,

FIG. 4 is a bottom view thereof.

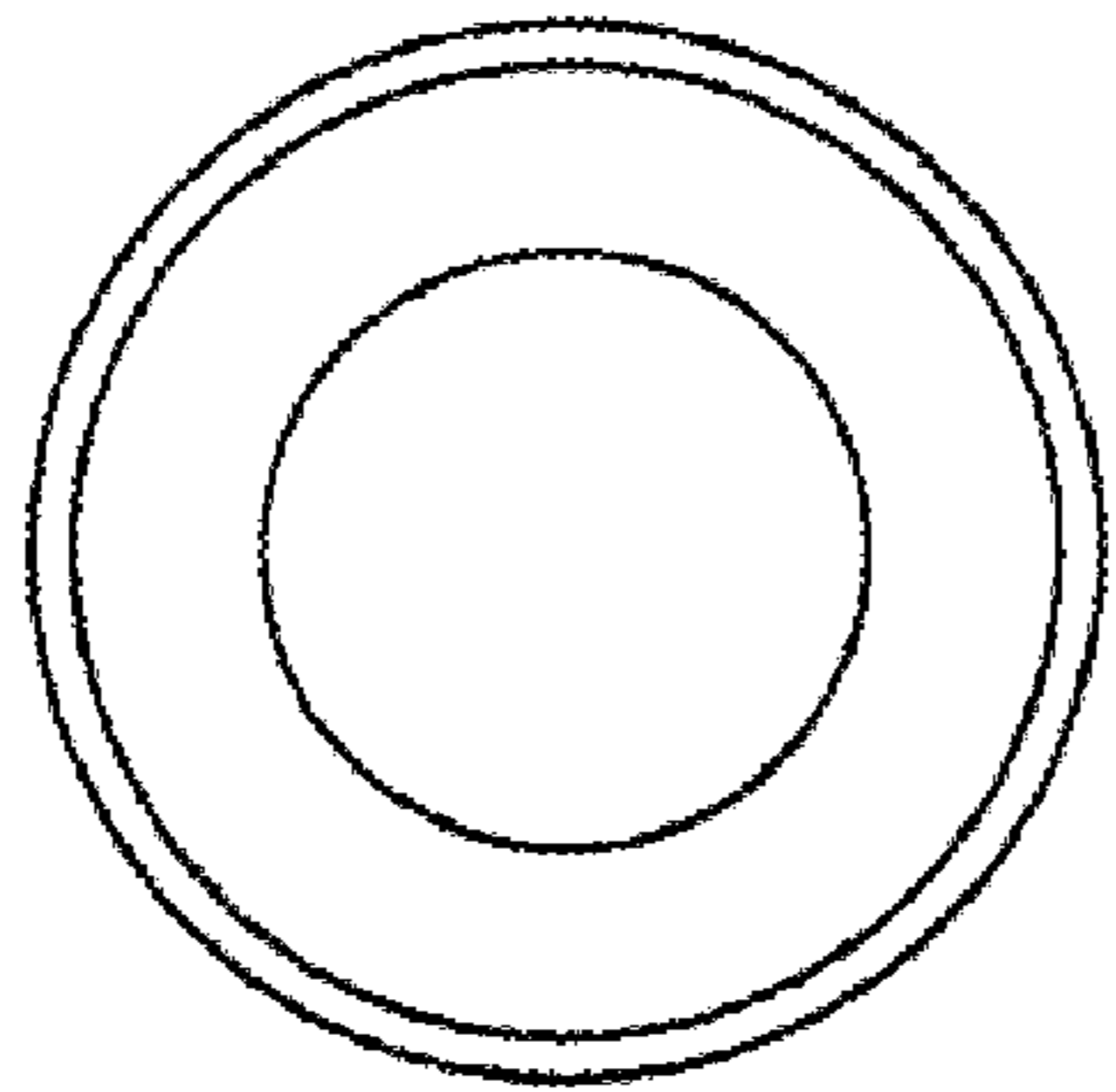
The broken lines are for illustrative purposes and form no part of the claimed design.

**1 Claim, 2 Drawing Sheets**





***FIG. 1***



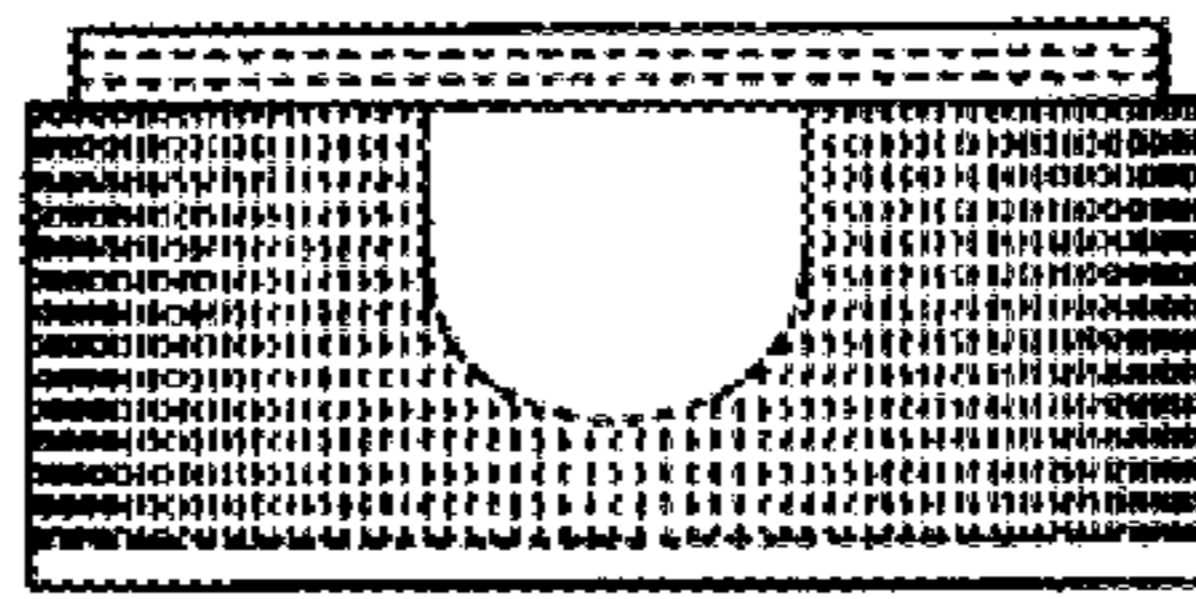
***FIG. 2***

**U.S. Patent**

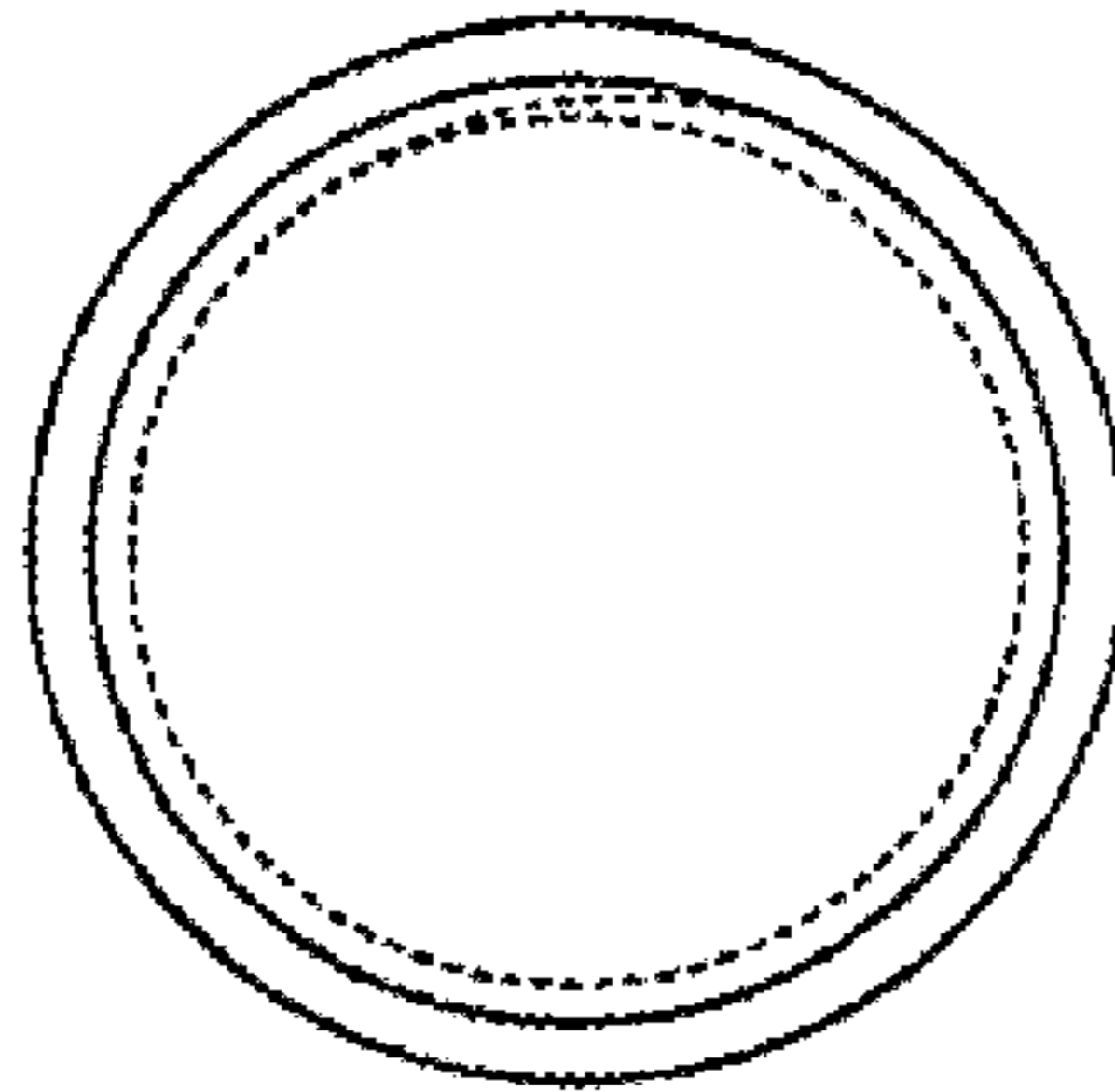
**Jun. 17, 2008**

**Sheet 2 of 2**

**D571,199 S**



***FIG. 3***



***FIG. 4***