

US00D571196S

(12) **United States Design Patent**  
**Mayer**

(10) **Patent No.:** **US D571,196 S**  
(45) **Date of Patent:** **\*\* Jun. 17, 2008**

(54) **DOOR OR WINDOW STOP**  
(76) Inventor: **Frank F. E. Mayer**, Gerberstr. 8, 67098  
Bad Dürkheim (DE)

(\*\*) Term: **14 Years**

(21) Appl. No.: **29/274,039**

(22) Filed: **Mar. 22, 2007**

(30) **Foreign Application Priority Data**

Sep. 25, 2006 (EM) ..... 000597828

(51) **LOC (8) Cl.** ..... **08-09**

(52) **U.S. Cl.** ..... **D8/402**

(58) **Field of Classification Search** ..... D8/400-402;  
D6/300, 320, 323, 328; D28/73; D21/388;  
16/82, 86 A, 86 R, 86 B, DIG. 17; 292/251.5,  
292/340, DIG. 15; 267/140; D11/132  
See application file for complete search history.

(56) **References Cited**

**U.S. PATENT DOCUMENTS**

- D16,507 S \* 2/1886 Huttig, Sr. .... D8/337
- 490,504 A \* 1/1893 Sartell ..... 292/195
- 587,131 A \* 7/1897 Markert ..... 292/140
- D27,695 S \* 9/1897 Minott ..... D8/402
- D33,499 S \* 11/1900 Norris ..... D8/394
- 3,706,112 A \* 12/1972 Newell ..... 16/82
- D242,985 S 1/1977 Sasgen

- D270,234 S 8/1983 Shuster
- D365,514 S \* 12/1995 Borel ..... D8/402
- D379,299 S 5/1997 Fitzgibbons
- D410,380 S 6/1999 Towns
- D420,570 S 2/2000 Johnson
- D433,622 S 11/2000 Krammer

\* cited by examiner

*Primary Examiner*—Cathron Brooks  
*Assistant Examiner*—Barbara Fox  
(74) *Attorney, Agent, or Firm*—Foley & Lardner LLP

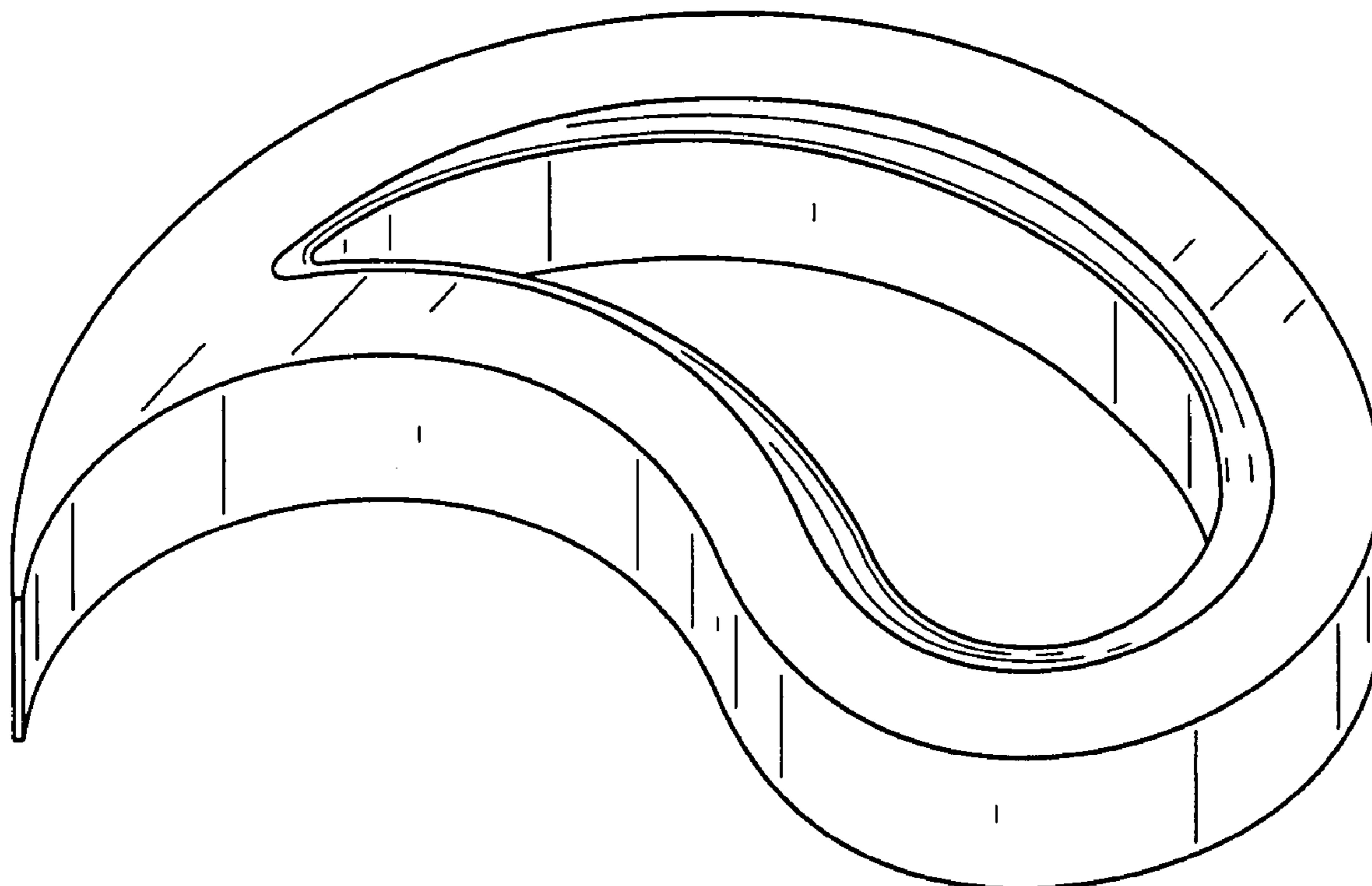
(57) **CLAIM**

The ornamental design for a door or window stop, as shown and described.

**DESCRIPTION**

FIG. 1 is a perspective view of a door or window stop showing my new design;  
FIG. 2 is a top plan view of the design shown in FIG. 1;  
FIG. 3 is a bottom plan view of the design shown in FIG. 1;  
FIG. 4 is a left side elevational view of the design shown in FIG. 1;  
FIG. 5 is a right side elevational view of the design shown in FIG. 1;  
FIG. 6 is a top plan view of the design shown in FIG. 1; and,  
FIG. 7 is a bottom plan view of the design shown in FIG. 1.

**1 Claim, 5 Drawing Sheets**



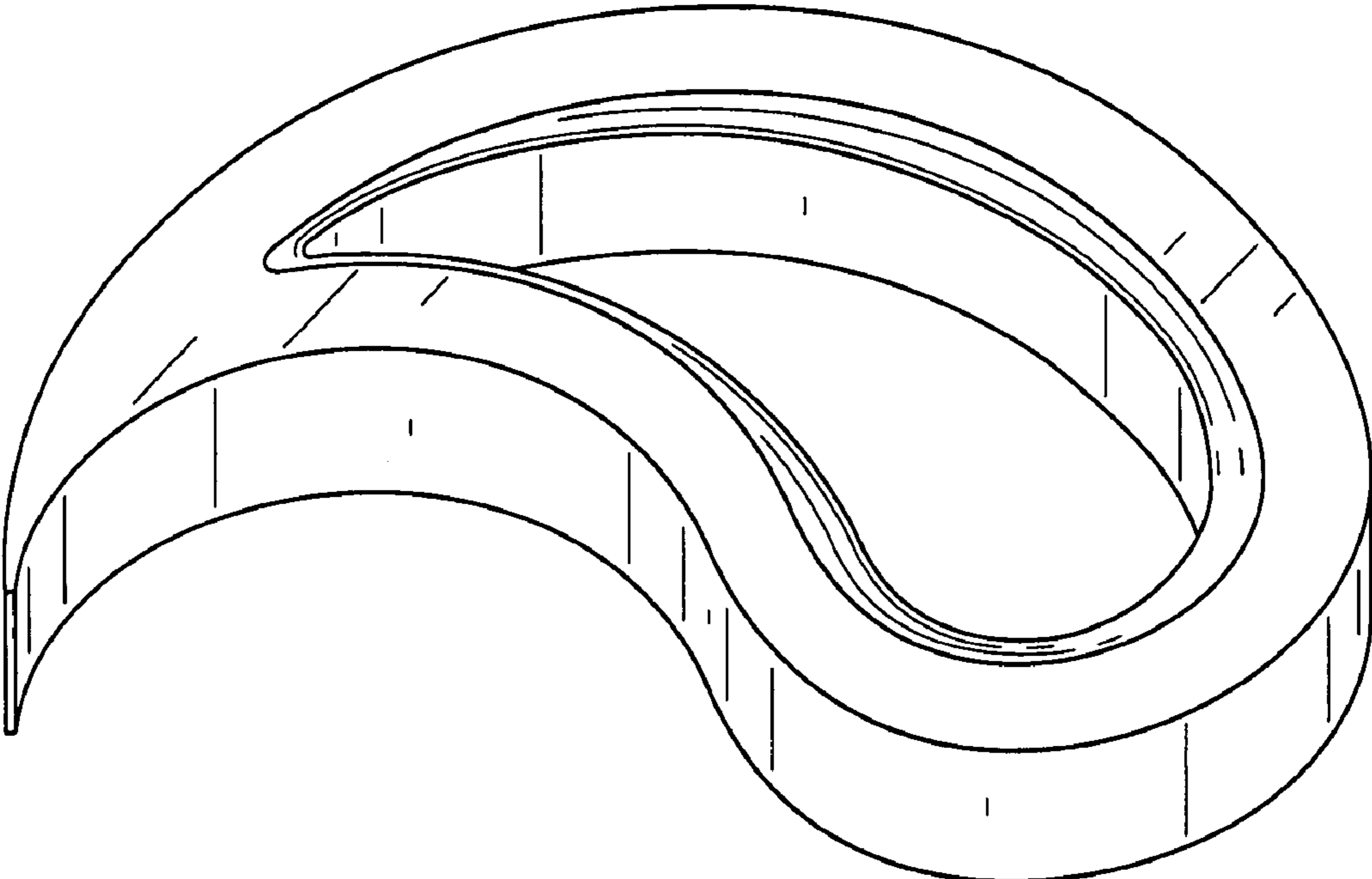


FIG. 1

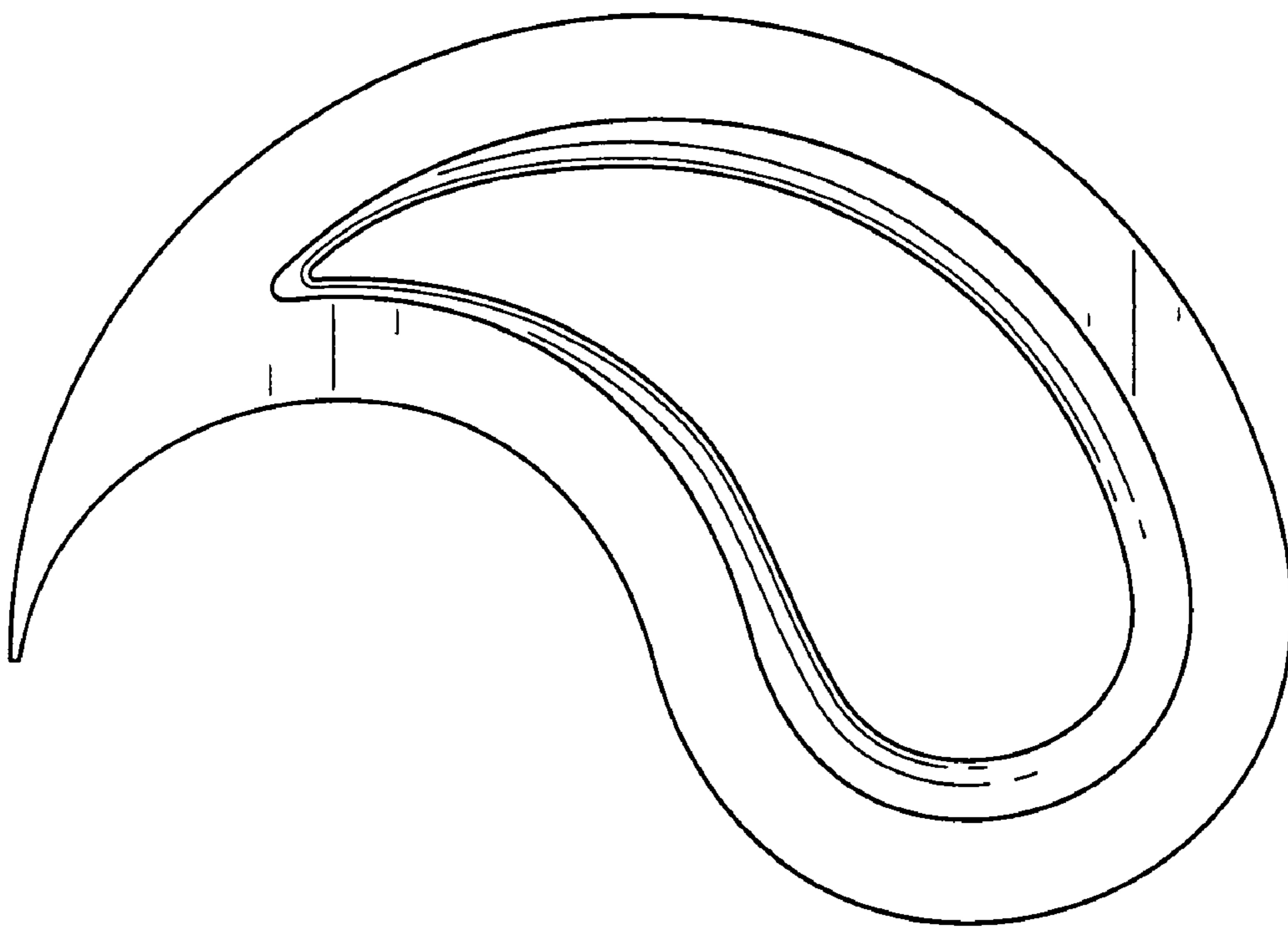


FIG. 2

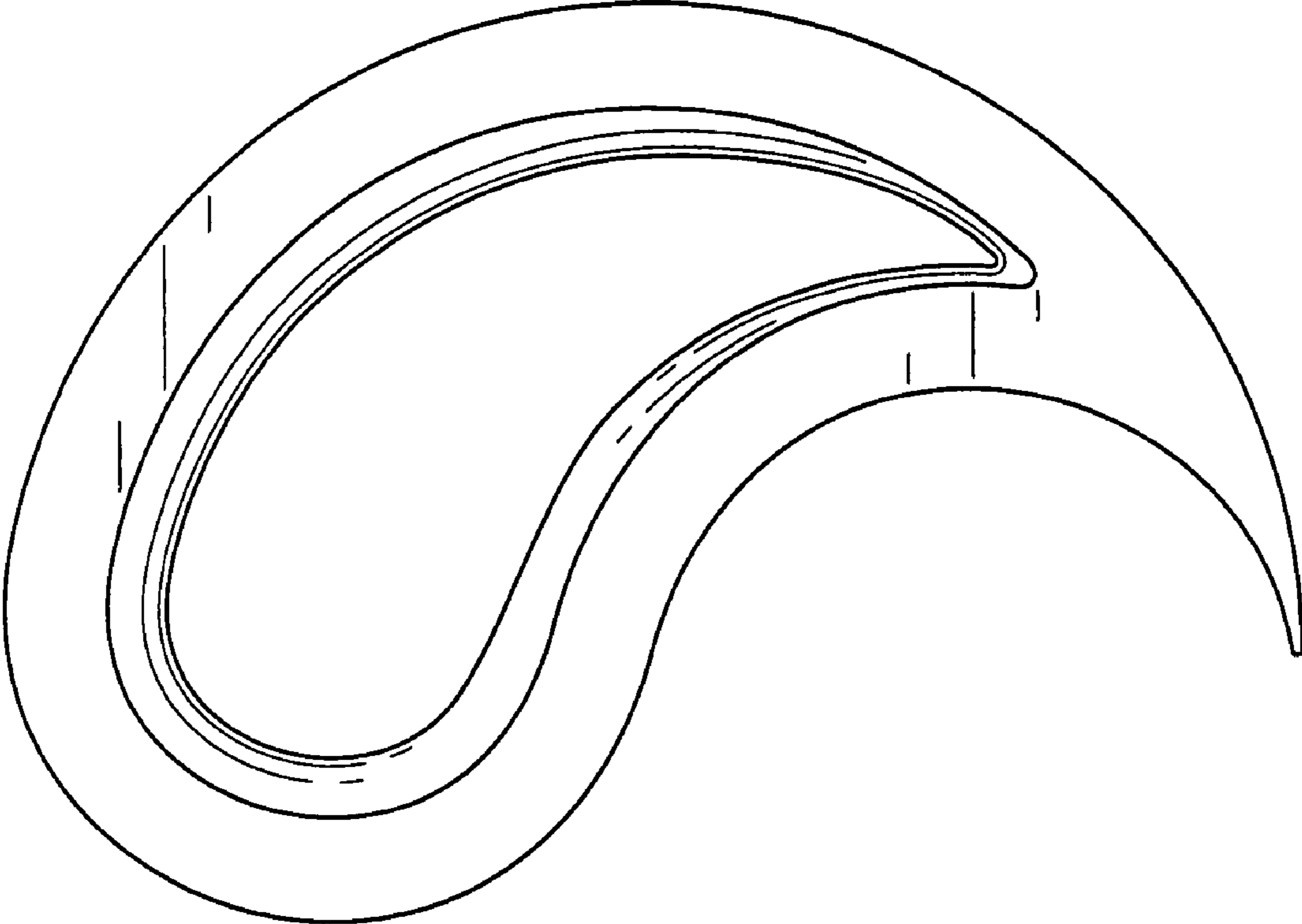


FIG. 3

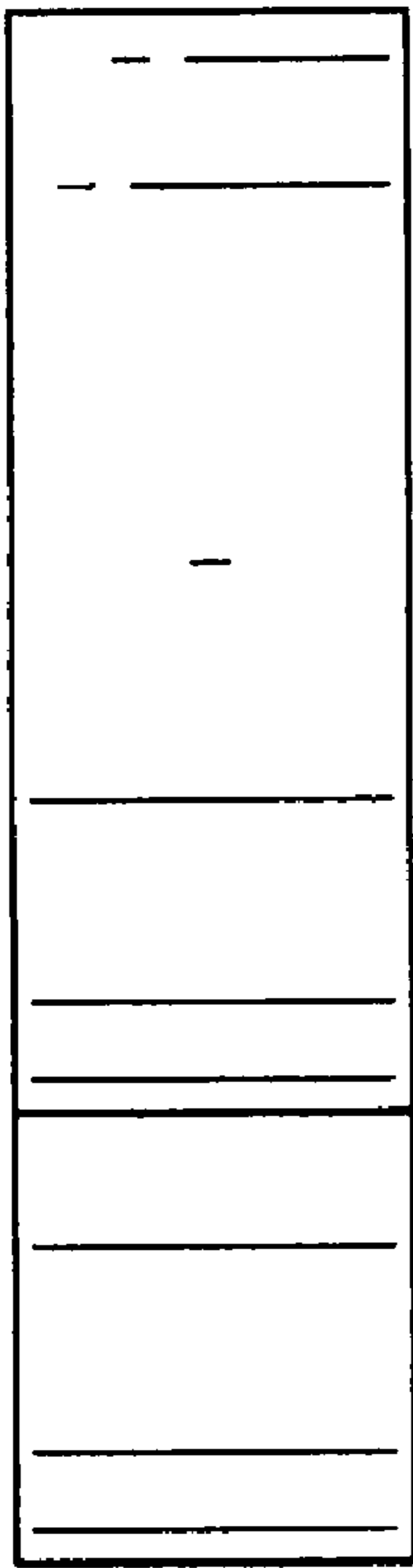


FIG. 4

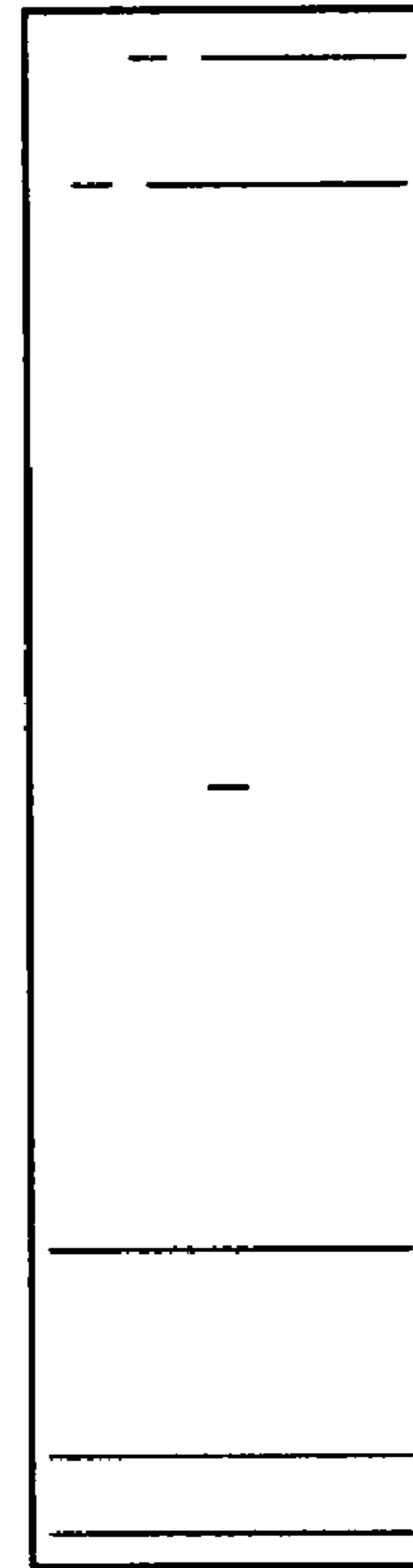


FIG. 5

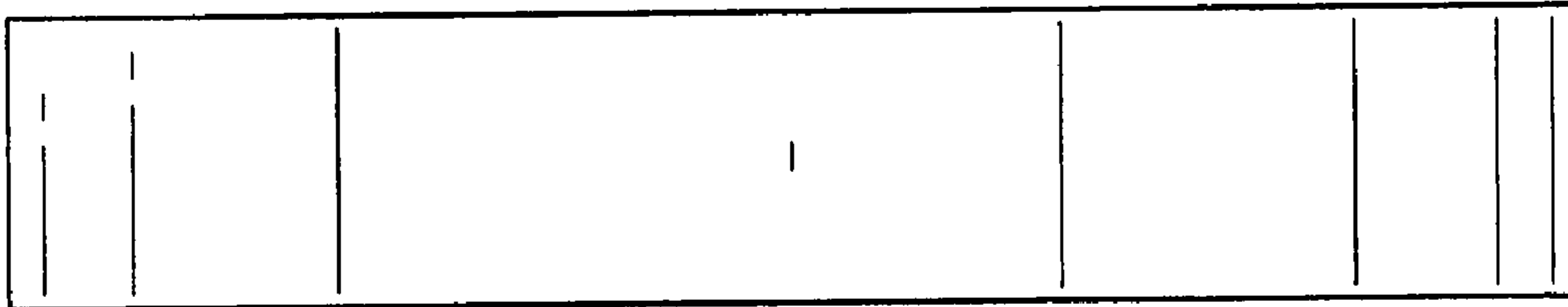


FIG. 6

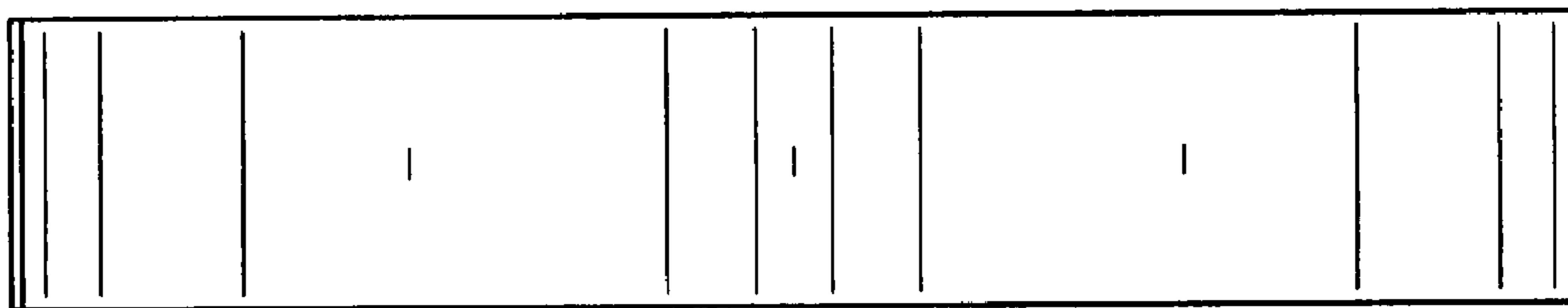


FIG. 7