



US00D571195S

(12) **United States Design Patent**
Larsen et al.

(10) **Patent No.:** **US D571,195 S**
(45) **Date of Patent:** **** Jun. 17, 2008**

(54) **CLAMP FOR HOLDING PIPES AND THE LIKE**

(75) Inventors: **Arne Aksel Larsen**, Haraldstedvej (DK); **Ahmed Atifi**, Primulavej (DK)

(73) Assignee: **Codan Gummi A/S**, Koge (DK)

(**) Term: **14 Years**

(21) Appl. No.: **29/204,329**

(22) Filed: **Apr. 28, 2004**

(30) **Foreign Application Priority Data**

Oct. 29, 2003 (EM) 100987

(51) **LOC (8) Cl.** **08-08**

(52) **U.S. Cl.** **D8/394**

(58) **Field of Classification Search** D8/356,
D8/371, 394-396; D19/65, 56; 24/22, 67 R,
24/20 S, 115 R, 546, 563, 910, 343, 67.9;
248/74.2, 215, 227.1, 49, 300, 301, 316.7,
248/51, 489

See application file for complete search history.

(56) **References Cited**

U.S. PATENT DOCUMENTS

D188,377 S * 7/1960 Martin D13/152
3,370,815 A 2/1968 Opperthausen
4,157,800 A 6/1979 Senter et al.

4,237,588 A 12/1980 Rasmussen et al.
D271,467 S * 11/1983 Sakaguchi D8/382
D273,658 S * 5/1984 Sakaguchi D8/396
D273,659 S * 5/1984 Sakaguchi D8/396
D273,762 S * 5/1984 Sakaguchi D8/396
D273,763 S * 5/1984 Sakaguchi D8/396
D317,558 S * 6/1991 Daigle et al. D8/354
5,799,907 A 9/1998 Andronica
D439,833 S * 4/2001 Nakamura D8/395

* cited by examiner

Primary Examiner—Robert M. Spear

Assistant Examiner—John Windmuller

(74) *Attorney, Agent, or Firm*—William J. Sapone; Coleman Sudol Sapone P.C.codan

(57) **CLAIM**

We claim the design for a clamp for holding pipes and the like, as shown and described.

DESCRIPTION

FIG. 1 is a side view of a clamp for holding pipes and the like, showing our design with the clamp open;

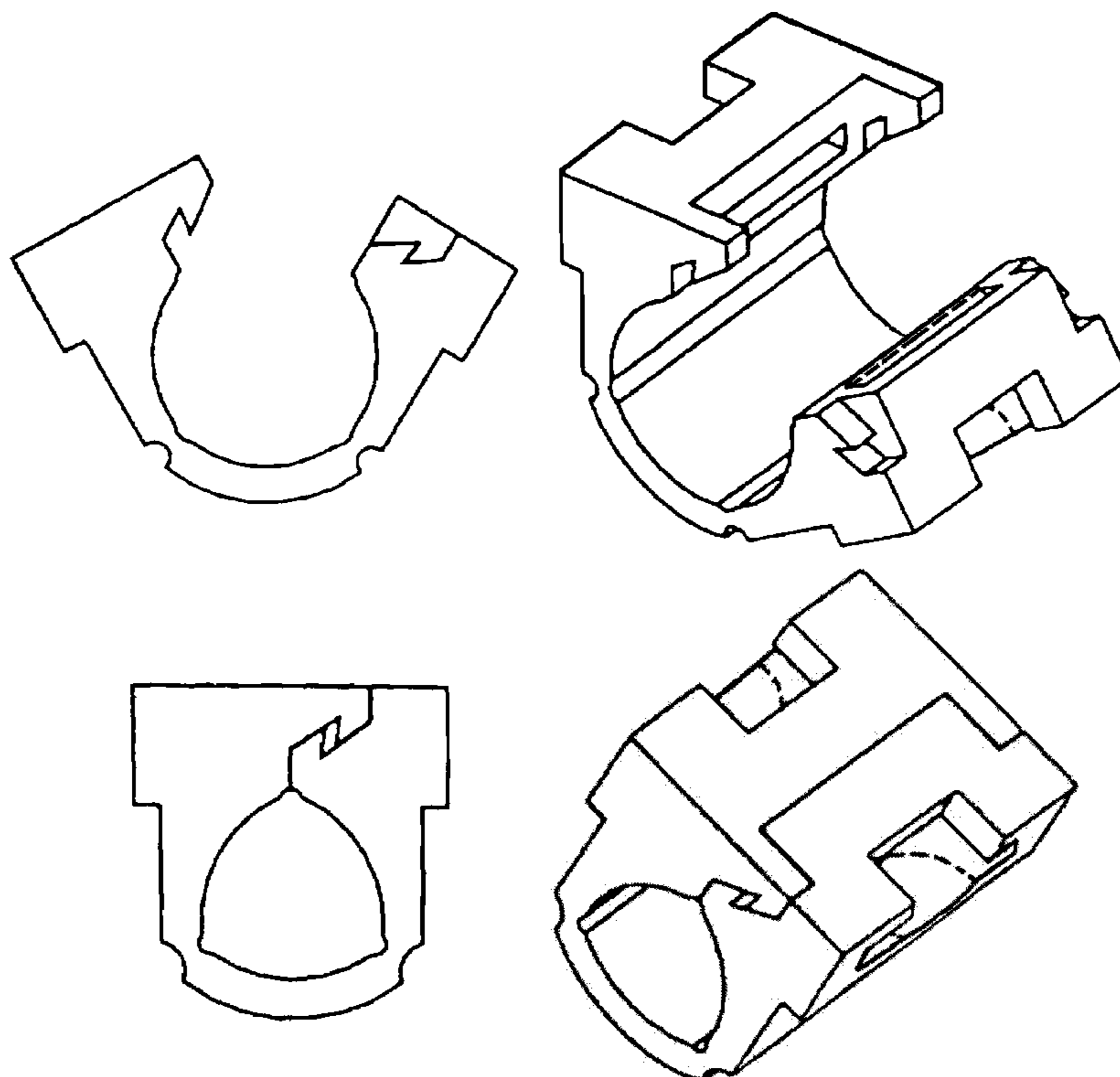
FIG. 2 is a bottom perspective view thereof;

FIG. 3 is a side view of the clamp in a closed position; and,

FIG. 4 is a bottom perspective view thereof.

The broken lines in FIGS. 2 and 4 illustrate environment and form no part of the claimed design.

1 Claim, 4 Drawing Sheets



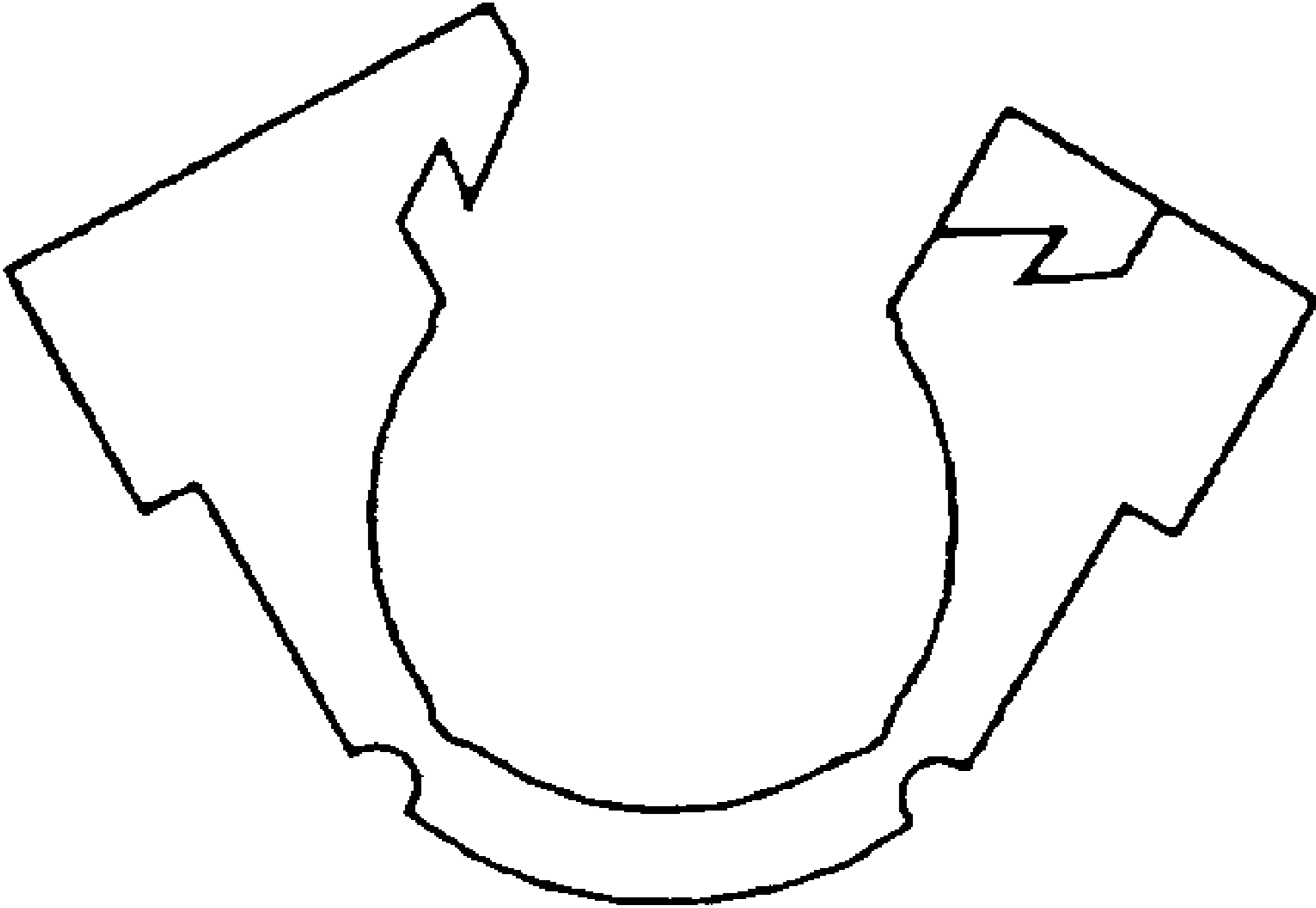


Fig. 1

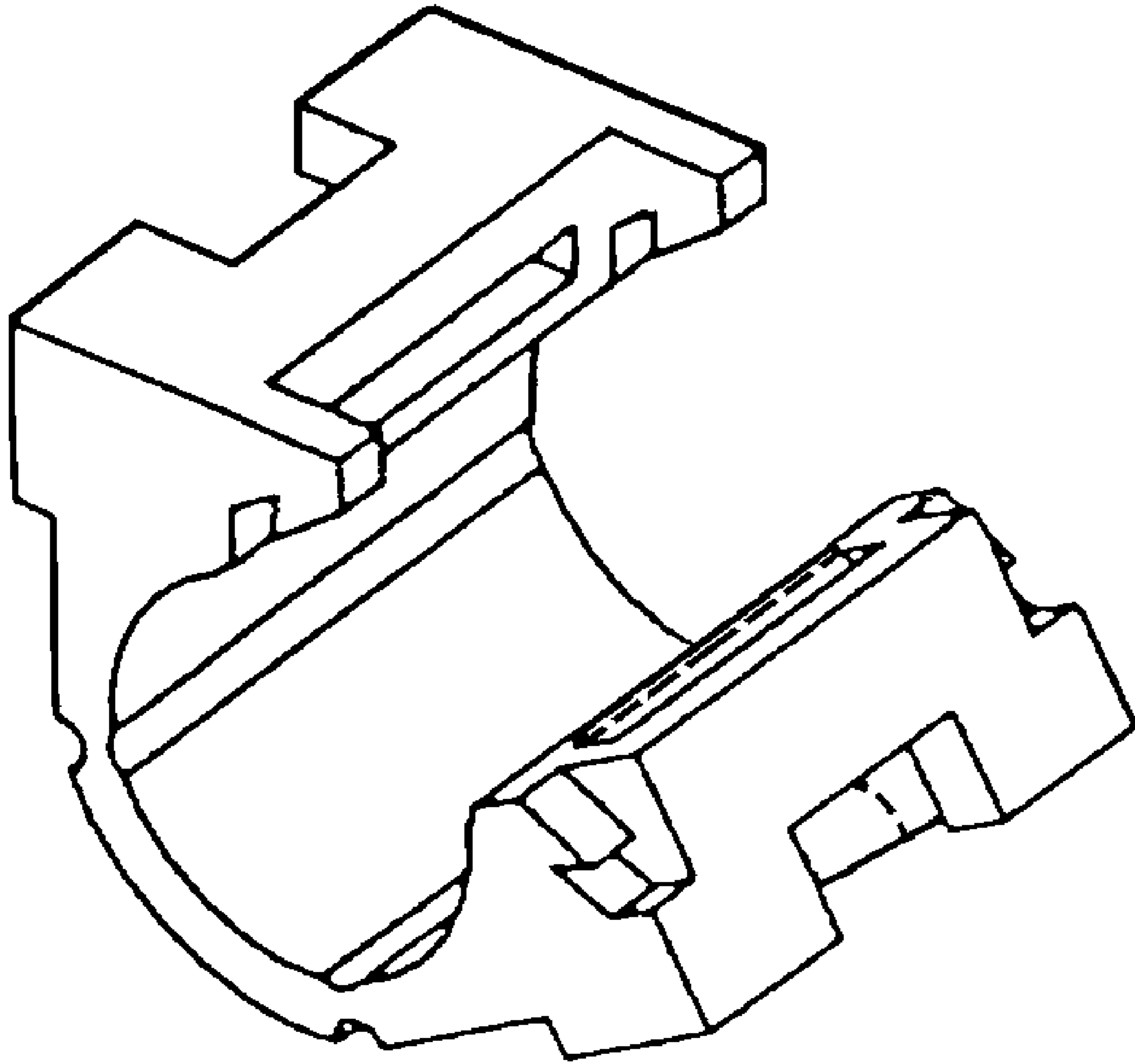


Fig. 2

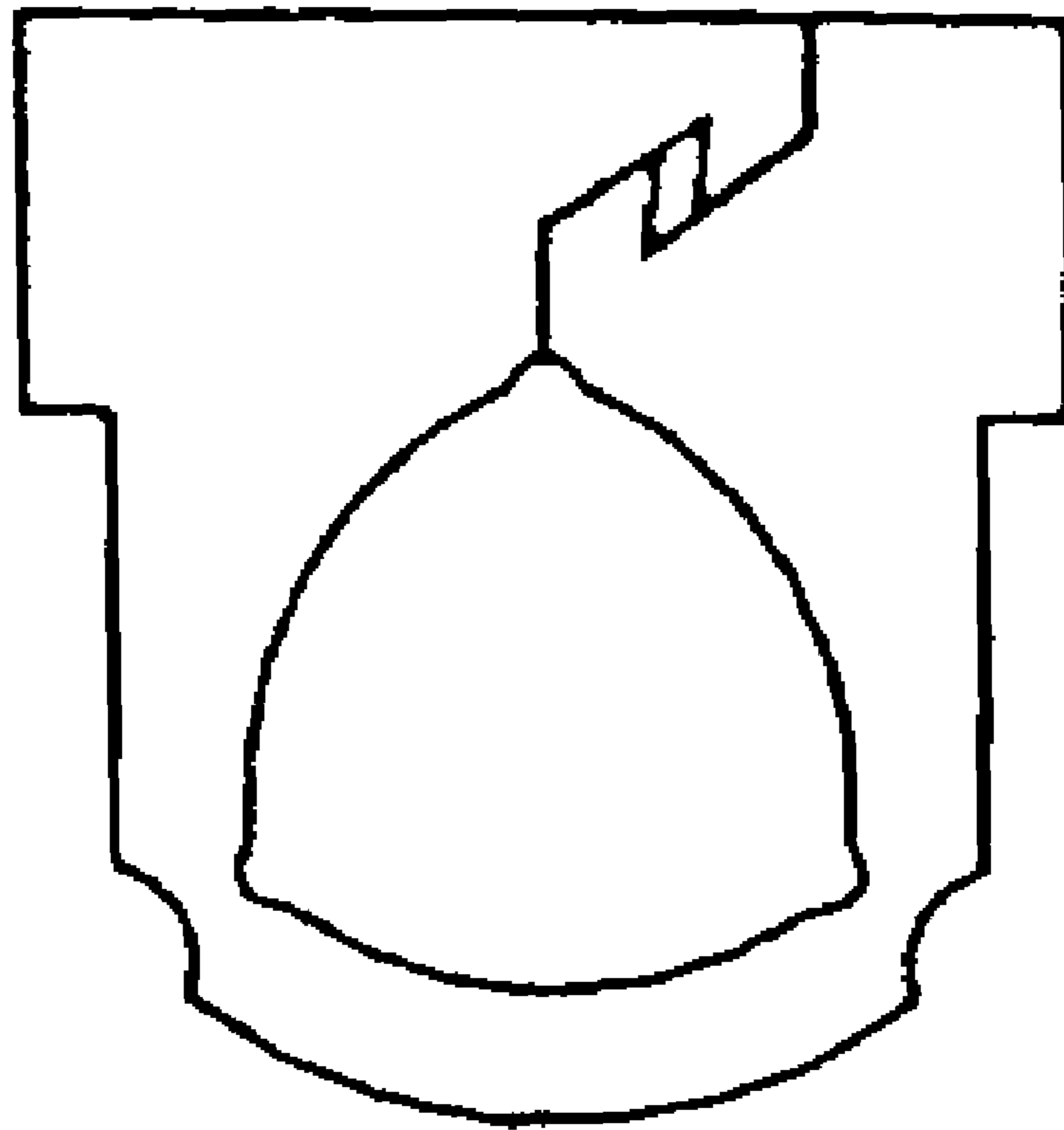


Fig. 3

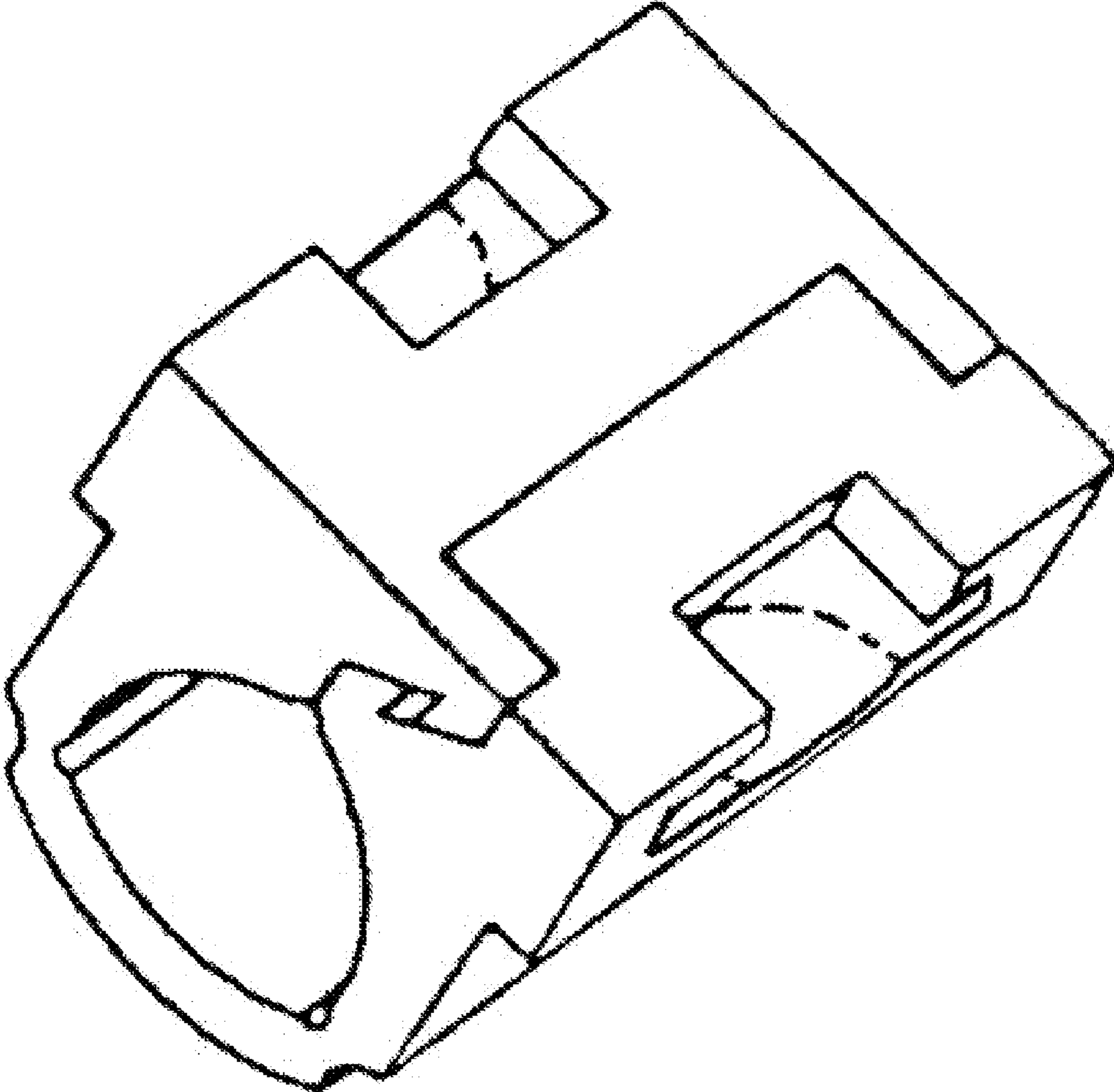


Fig. 4