

US00D571194S

(12) **United States Design Patent** (10) **Patent No.:** **US D571,194 S**
Mei (45) **Date of Patent:** **** Jun. 17, 2008**

(54) **CORD STOPPER**

D559,668 S * 1/2008 Yoshie et al. D8/383
2004/0074055 A1* 4/2004 Watabe 24/115 G

(75) Inventor: **Chen Chiu Mei**, Taipei (TW)

FOREIGN PATENT DOCUMENTS

(73) Assignee: **YKK Corporation**, Tokyo (JP)

JP 1080567 7/2000
JP 1081115 7/2000
JP 1240749 5/2005

(**) Term: **14 Years**

(21) Appl. No.: **29/286,261**

* cited by examiner

(22) Filed: **Apr. 30, 2007**

Primary Examiner—Holly H. Baynham

Assistant Examiner—Sheryl Friedman

(30) **Foreign Application Priority Data**

(74) *Attorney, Agent, or Firm*—Alston & Bird LLP

Dec. 5, 2006 (JP) 2006-033460

(57) **CLAIM**

(51) **LOC (8) Cl.** **08-08**

The ornamental design for a cord stopper, as shown and described.

(52) **U.S. Cl.** **D8/383**

(58) **Field of Classification Search** D8/383,

D8/394, 356, 395, 396; D11/215; 24/115 M,

24/115 R

DESCRIPTION

See application file for complete search history.

FIG. 1 is a front view of a cord stopper of the claimed design.

(56) **References Cited**

FIG. 2 is a rear view of the cord stopper of FIG. 1.

U.S. PATENT DOCUMENTS

FIG. 3 is a plan view of the cord stopper of FIG. 1.

D343,570 S * 1/1994 Meier D8/383

FIG. 4 is a base view of the cord stopper of FIG. 1.

D417,388 S * 12/1999 Kawahara D8/383

FIG. 5 is a right side view of the cord stopper of FIG. 1, the left side view being identical with the right side view.

D430,484 S * 9/2000 Ikeda D8/383

FIG. 6 is a perspective view of the cord stopper of FIG. 1; and,

D439,148 S * 3/2001 Ishii D8/383

FIG. 7 is a perspective view similar to FIG. 6, showing the article in use, the broken lines in FIG. 7 are for illustrative purposes only and form no part of the claimed design.

D451,005 S * 11/2001 Murata D8/383

D481,300 S * 10/2003 Nezu D8/383

D497,540 S * 10/2004 Watabe et al. D8/383

7,140,078 B2 * 11/2006 Watabe 24/115 G

D548,578 S * 8/2007 Wu D8/383

D549,087 S * 8/2007 Pontaoe D8/383

D559,666 S * 1/2008 Yoshie et al. D8/383

D559,667 S * 1/2008 Yoshie et al. D8/383

1 Claim, 4 Drawing Sheets

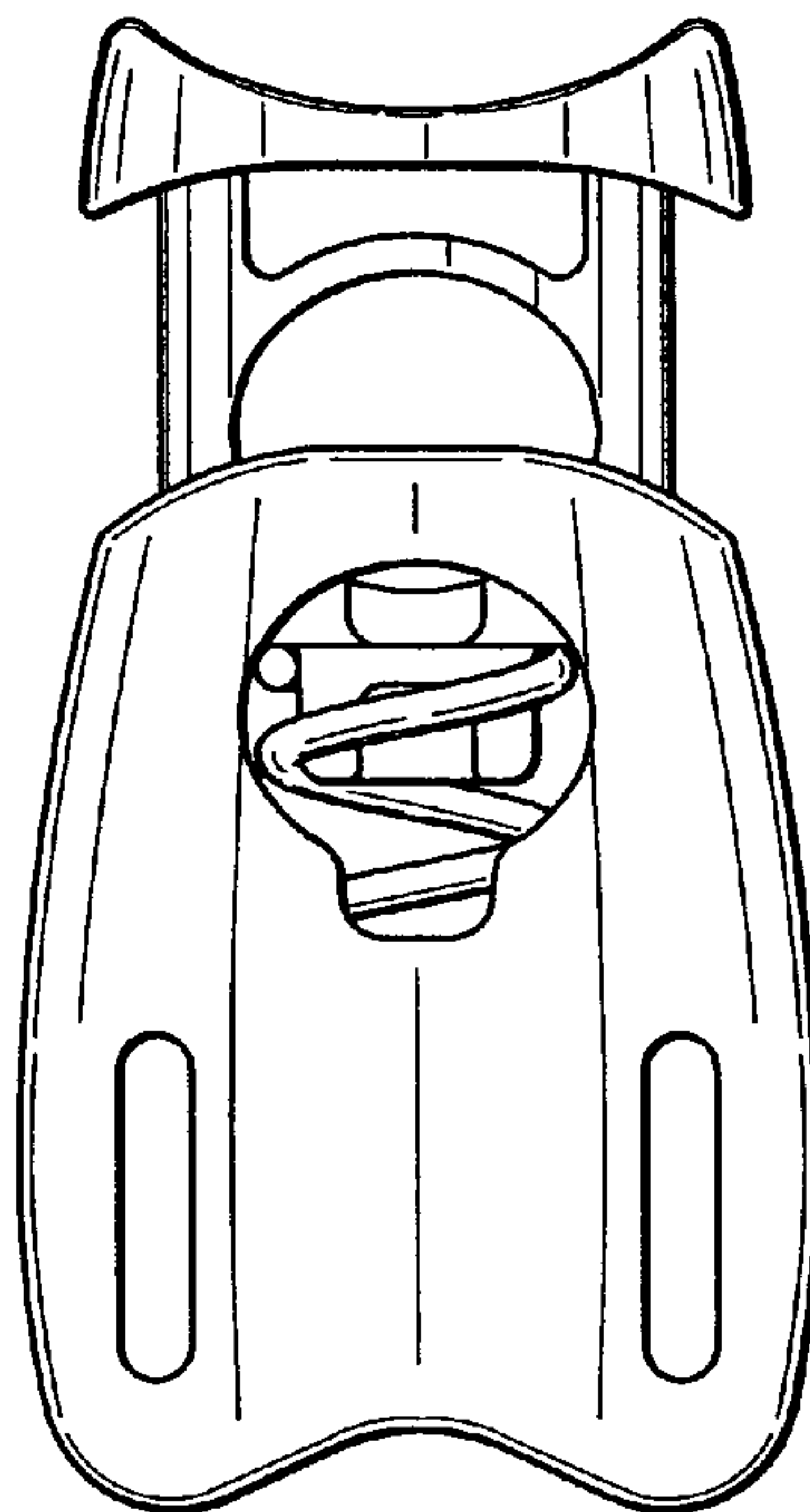


FIG. 1

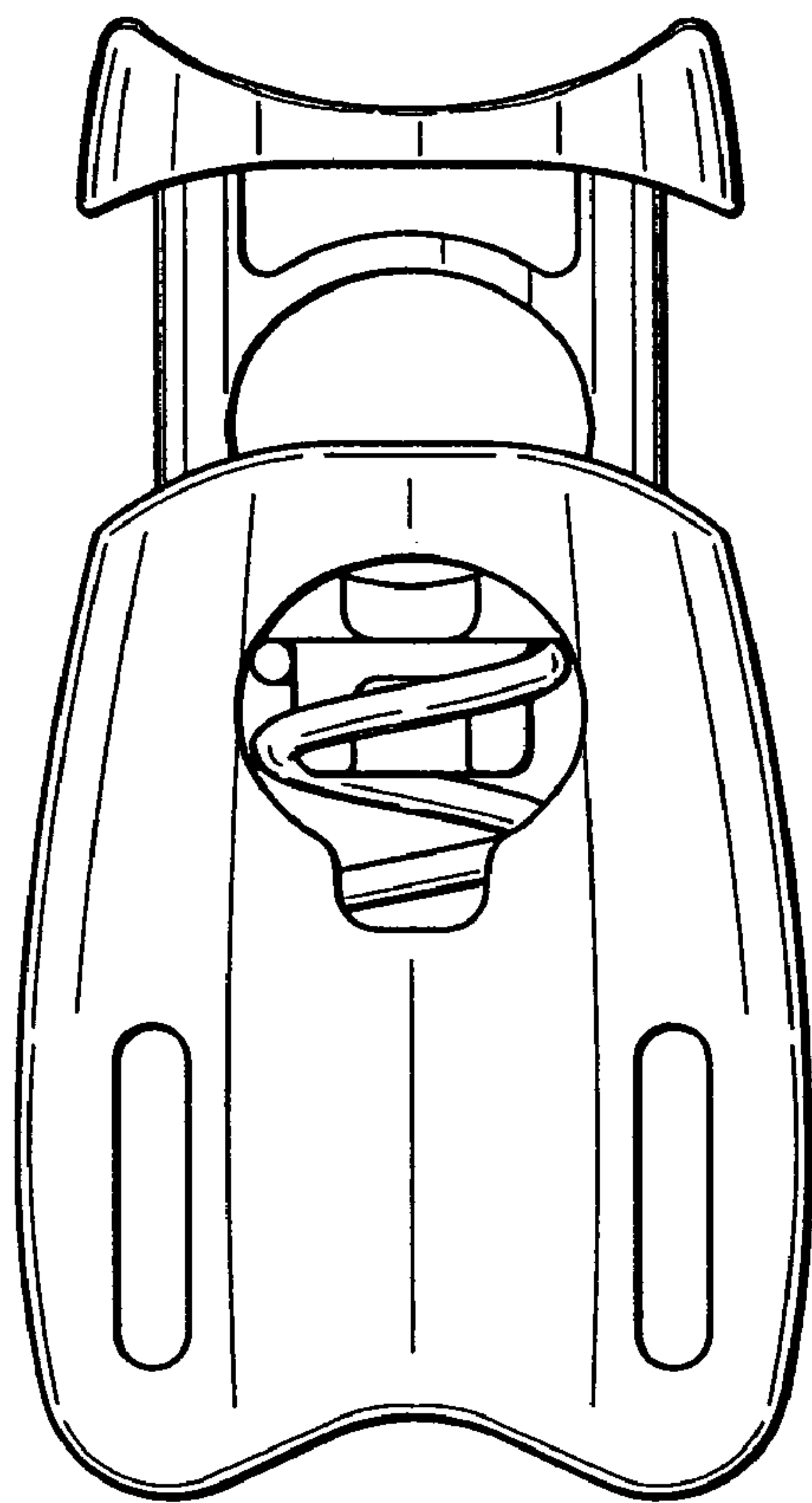


FIG. 2

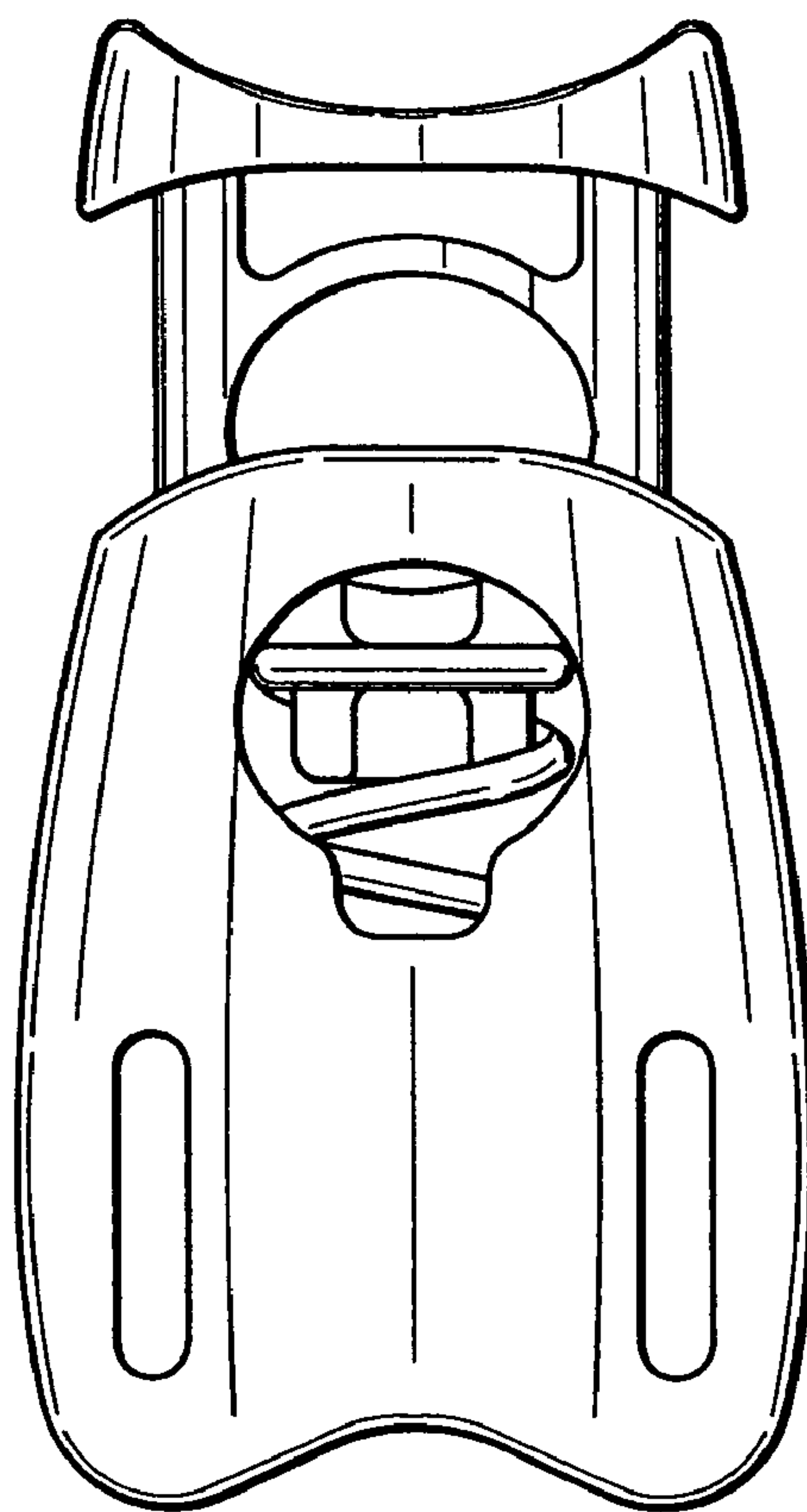


FIG. 3

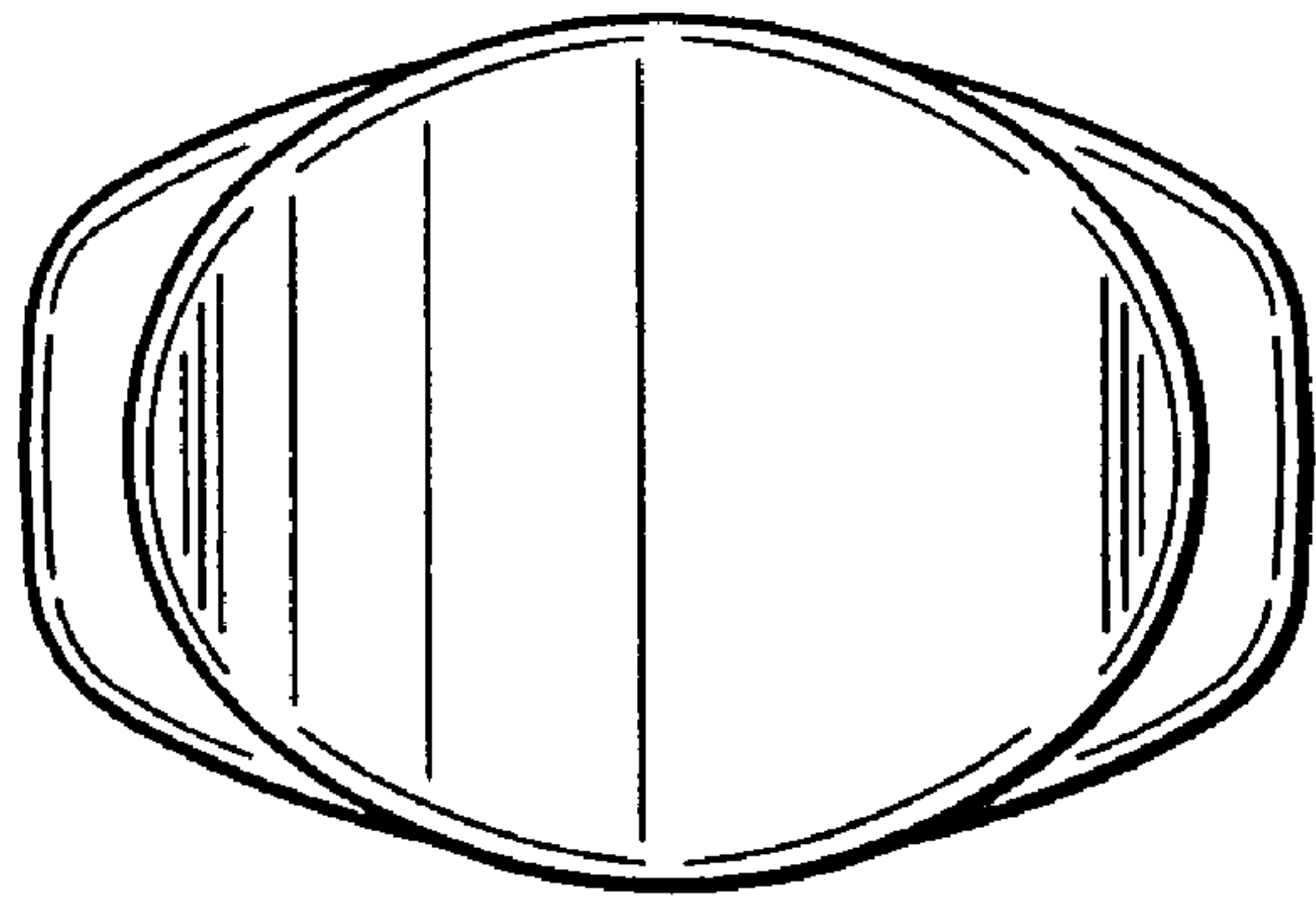


FIG. 5

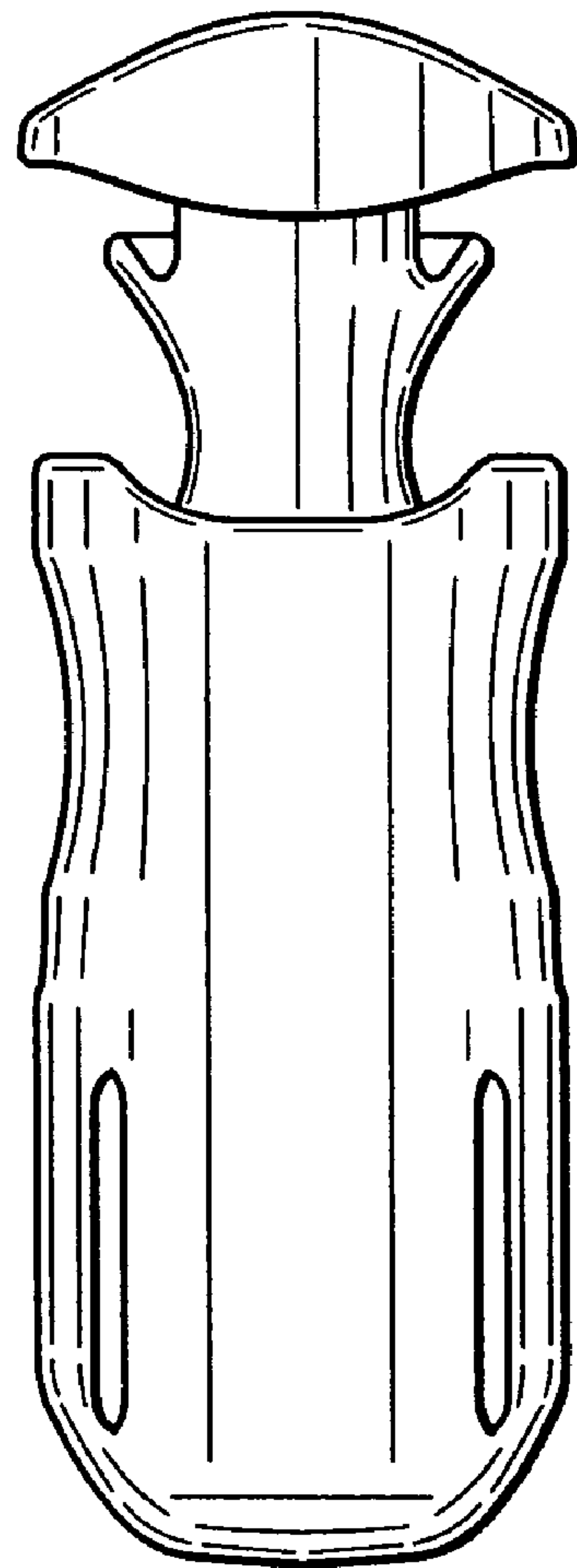


FIG. 4

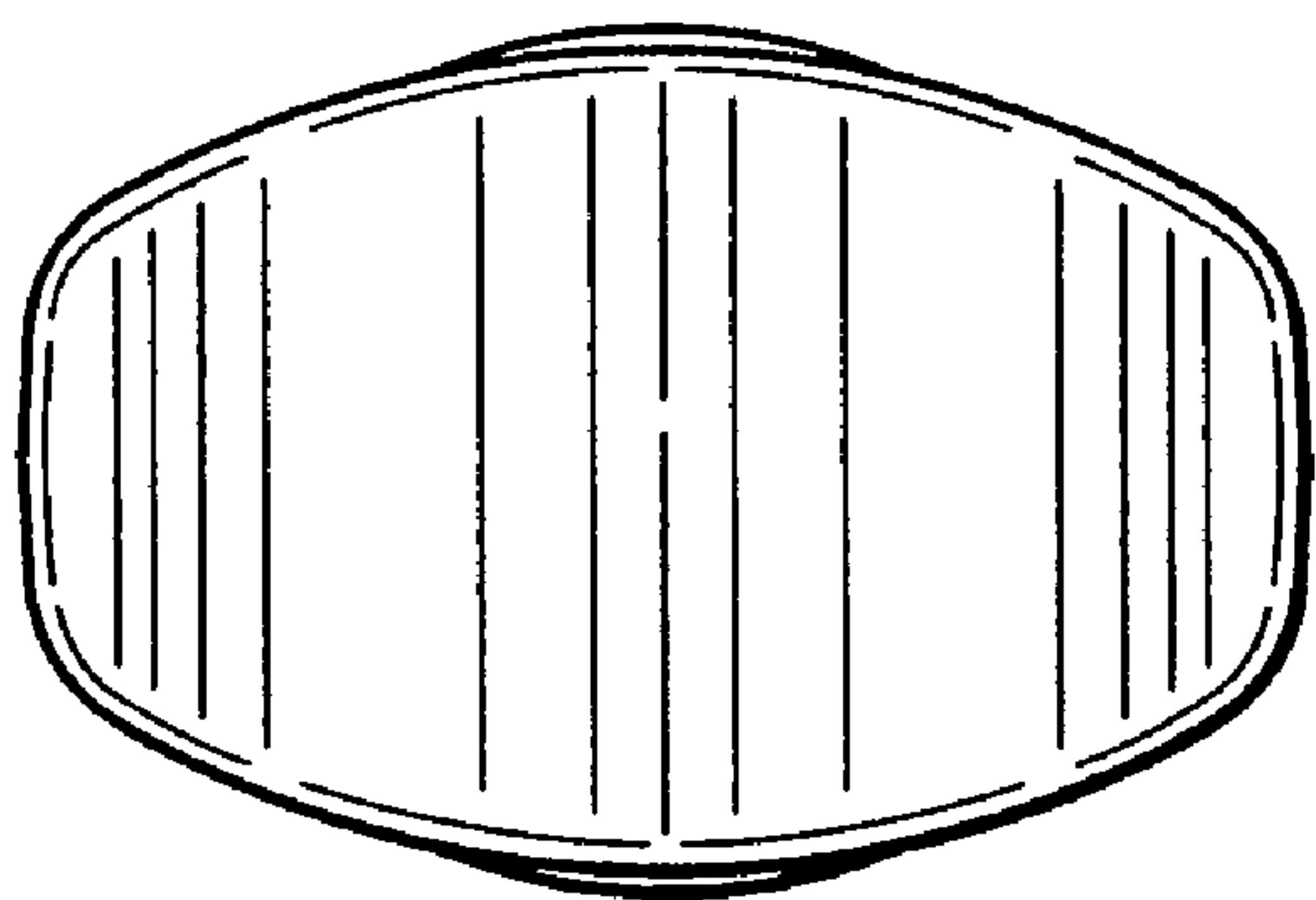


FIG. 6

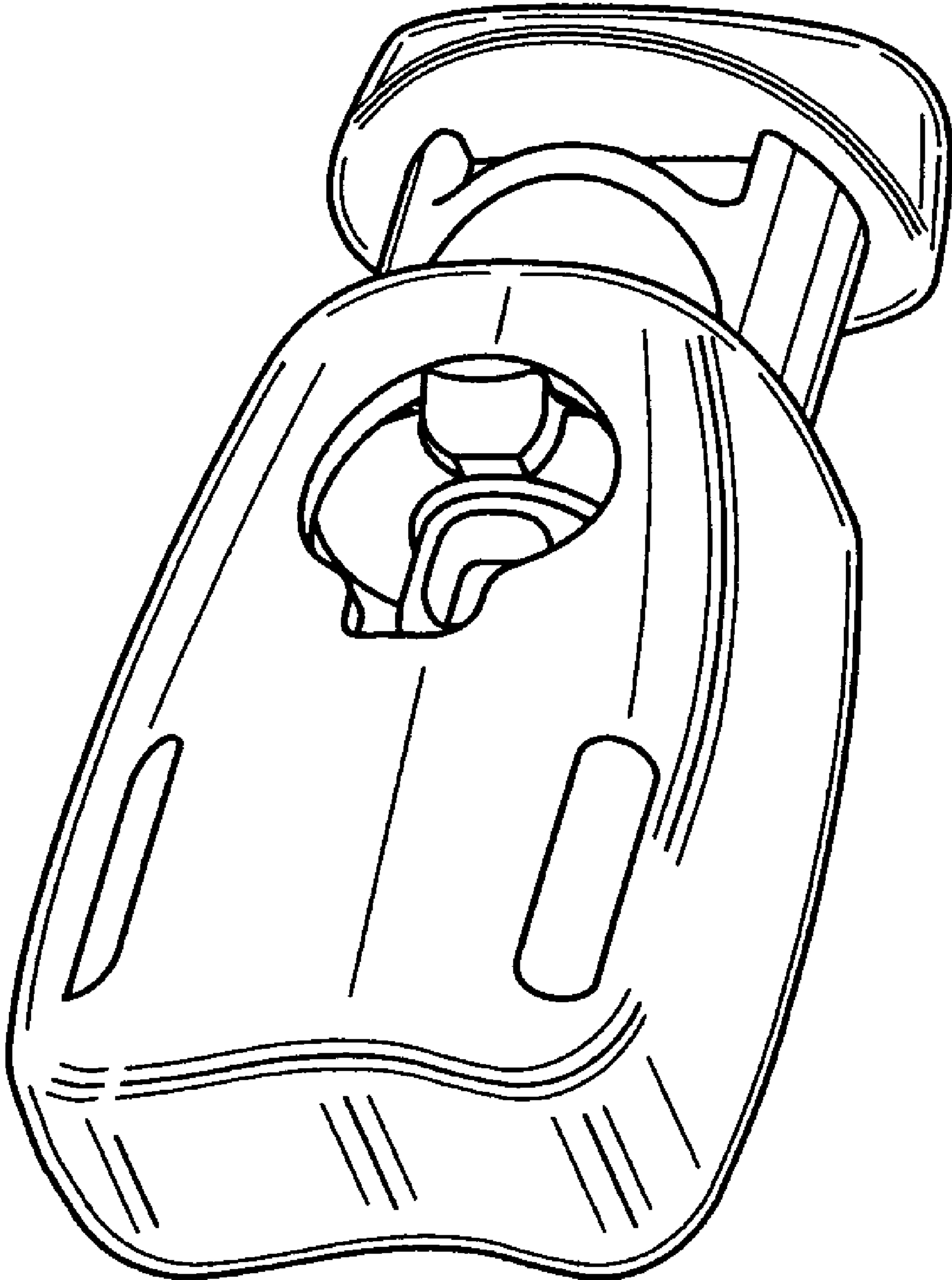


FIG. 7

