

US00D571191S

(12) **United States Design Patent**  
**Ruggiero**

(10) **Patent No.:** **US D571,191 S**  
(45) **Date of Patent:** **\*\* Jun. 17, 2008**

- (54) **WIRE MANAGER**
- (75) Inventor: **Andrea Ruggiero**, New York, NY (US)
- (73) Assignee: **Doug Mockett & Company, Inc.**,  
Torrance, CA (US)
- (\*\*) Term: **14 Years**
- (21) Appl. No.: **29/281,927**
- (22) Filed: **Jul. 6, 2007**

**Related U.S. Application Data**

- (63) Continuation-in-part of application No. 29/263,659,  
filed on Jul. 27, 2006, now Pat. No. Des. 551,060.

- (51) **LOC (8) Cl.** ..... **08-08**
- (52) **U.S. Cl.** ..... **D8/356**
- (58) **Field of Classification Search** ..... D8/105,  
D8/107, 333, 349, 354, 356, 358, 360, 360.1,  
D8/367, 373, 382, 383, 394-396, 400; D23/261;  
D26/38; 24/18, 197, 561; 174/153 G, 650,  
174/656; 242/400.1, 405.1, 405.2, 600, 603,  
242/604, 604.1, 607, 608, 608.6, 608.7, 609,  
242/916; 248/65, 74.1-74.4, 201, 214, 215,  
248/229.26, 302, 304, 316.7, 316.8; 439/501,  
439/535; 16/2.1; D13/147; 385/137  
See application file for complete search history.

(56) **References Cited**

**U.S. PATENT DOCUMENTS**

- D25,954 S \* 8/1896 Worden ..... D8/17
- 629,115 A \* 7/1899 Turney ..... 242/603
- D32,475 S \* 4/1900 Thompson ..... D8/360.1
- 1,404,934 A \* 1/1922 Cunningham ..... 242/610.3
- 1,485,996 A \* 3/1924 Stout ..... 24/18
- 1,640,543 A \* 8/1927 Gudge ..... 16/2.1
- 1,773,545 A \* 8/1930 Jose ..... 24/18
- 2,949,994 A \* 8/1960 Zimmerman ..... 400/242
- D199,870 S \* 12/1964 Osrow ..... D8/382
- 3,393,790 A \* 7/1968 Dixon ..... 400/242
- 3,822,841 A \* 7/1974 Campbell ..... 242/608.6

- D233,977 S \* 12/1974 Dyal ..... D8/358
- D238,149 S \* 12/1975 Moburg et al. .... D8/382
- D257,247 S \* 10/1980 Powers ..... D34/38
- 4,248,401 A \* 2/1981 Mittleman ..... 251/7
- D263,371 S \* 3/1982 Allen ..... D8/358
- D284,265 S \* 6/1986 Resan ..... D8/382
- D301,834 S \* 6/1989 Soltes ..... D8/358
- D316,368 S \* 4/1991 Kirby ..... D8/395
- D341,413 S \* 11/1993 Nichols ..... D23/261
- D359,229 S \* 6/1995 Jules ..... D8/395
- D392,548 S \* 3/1998 Rodriguez ..... D8/358
- D402,882 S \* 12/1998 McBain ..... D8/358
- D425,404 S \* 5/2000 Thomas et al. .... D8/358
- 6,536,717 B2 \* 3/2003 Parker ..... 248/49
- D509,725 S \* 9/2005 Watson ..... D8/395

(Continued)

*Primary Examiner*—T. Chase Nelson  
*Assistant Examiner*—Karen Acker  
 (74) *Attorney, Agent, or Firm*—Lewis, Brisbois, Bisgaard &  
 Smith, LLP; Sanford Astor

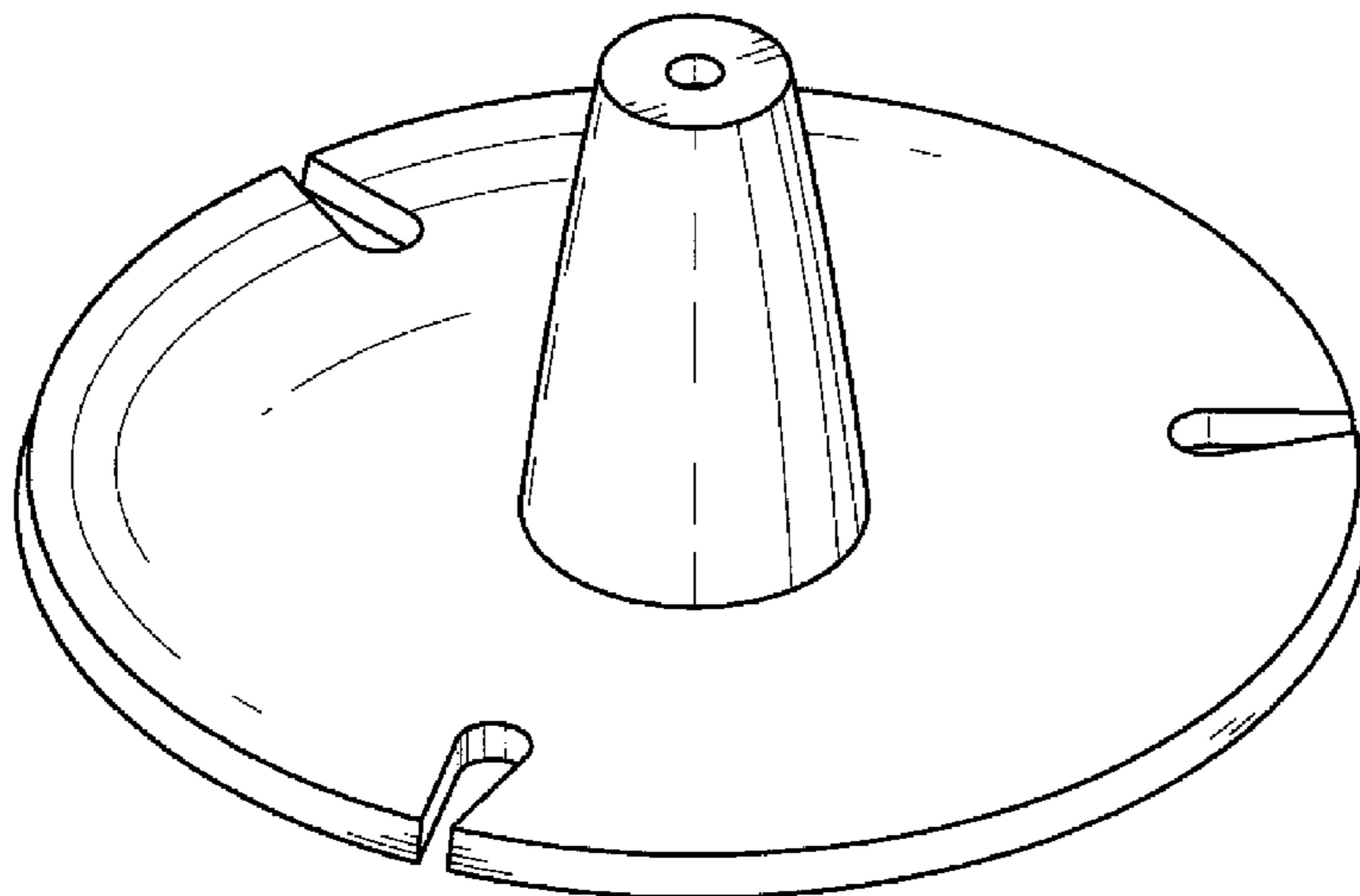
(57) **CLAIM**

The ornamental design for a wire manager, as shown and described.

**DESCRIPTION**

FIG. 1 is a perspective view of the wire manager;  
 FIG. 2 is a front elevational view of the back of the wire manager;  
 FIG. 3 is a front elevational view of the front of the wire manager;  
 FIG. 4 is a front elevational view of the left side of the wire manager;  
 FIG. 5 is a front elevational view of the right side of the wire manager;  
 FIG. 6 is a top view of the wire manager; and,  
 FIG. 7 is a bottom view of the wire manager.

**1 Claim, 4 Drawing Sheets**



# US D571,191 S

Page 2

---

U.S. PATENT DOCUMENTS			
	2002/0011548	A1*	1/2002 Parker ..... 248/354.3
D517,175 S *	3/2006 Holsen .....	D23/261	2002/0106178 A1* 8/2002 Bumgarner et al. .... 385/137
7,121,501 B1 *	10/2006 Lea .....	242/608.2	2004/0031902 A1* 2/2004 Davis, Jr. .... 248/519
D551,060 S *	9/2007 Ruggiero .....	D8/356	

\* cited by examiner

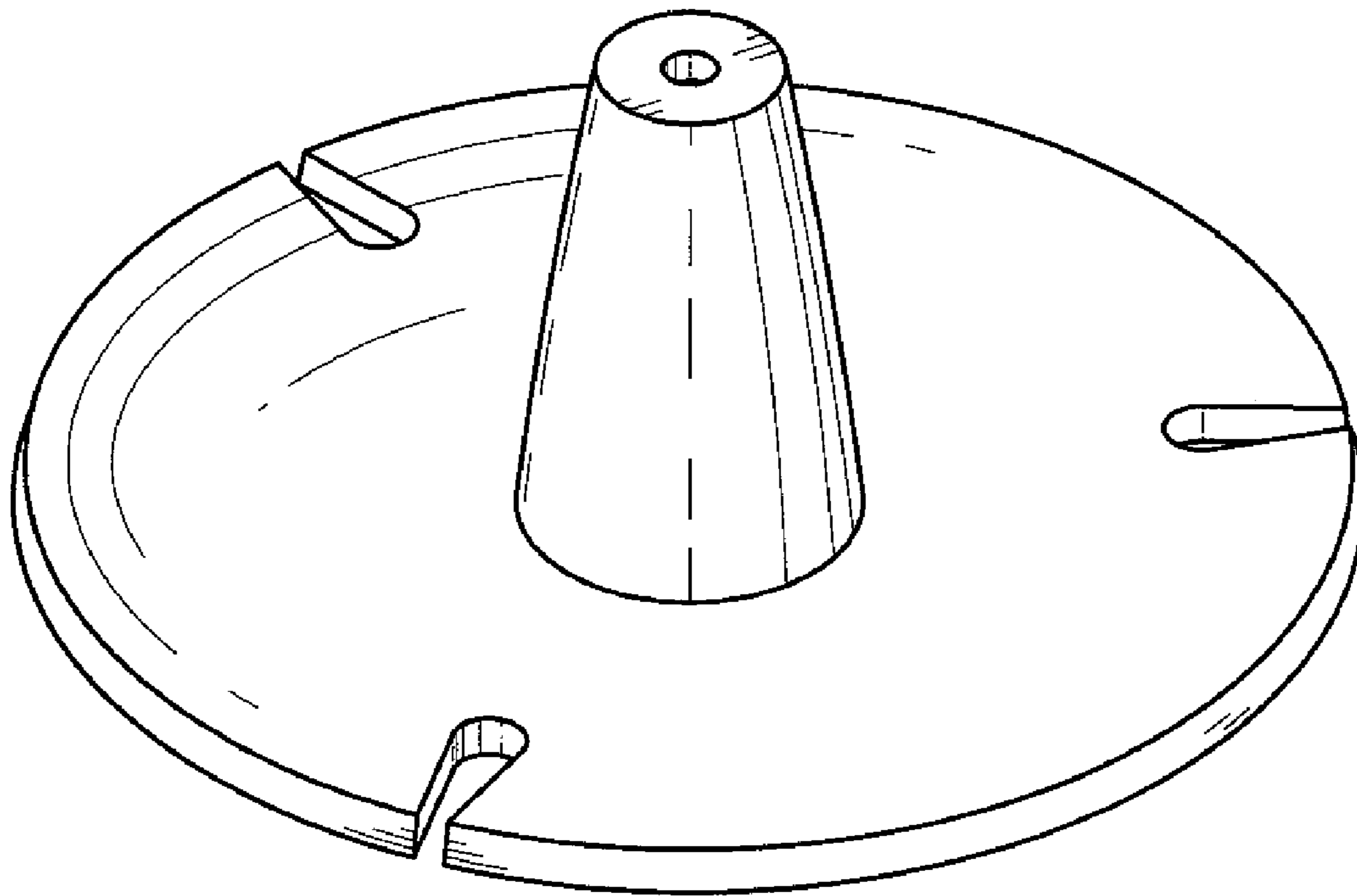
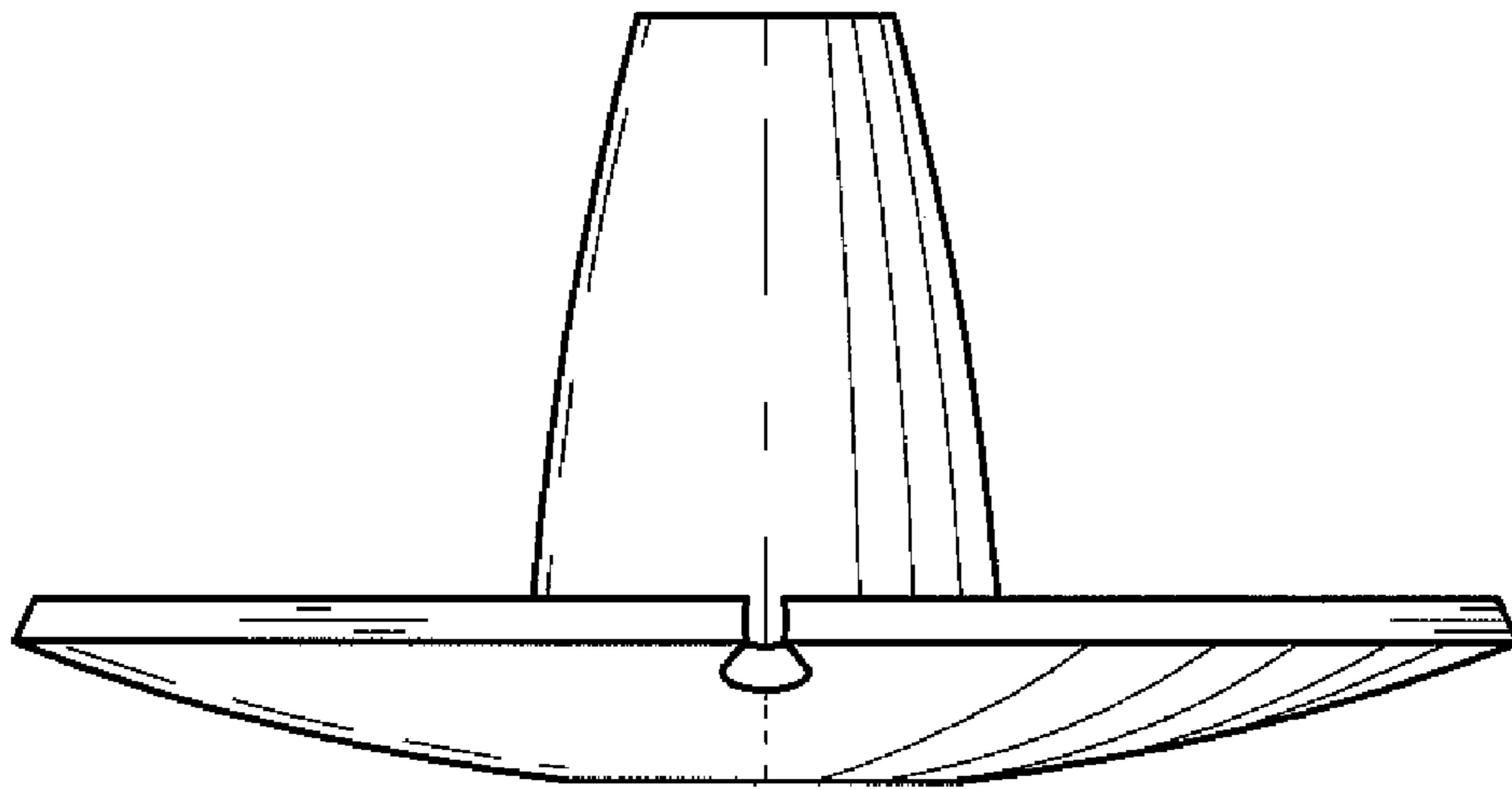
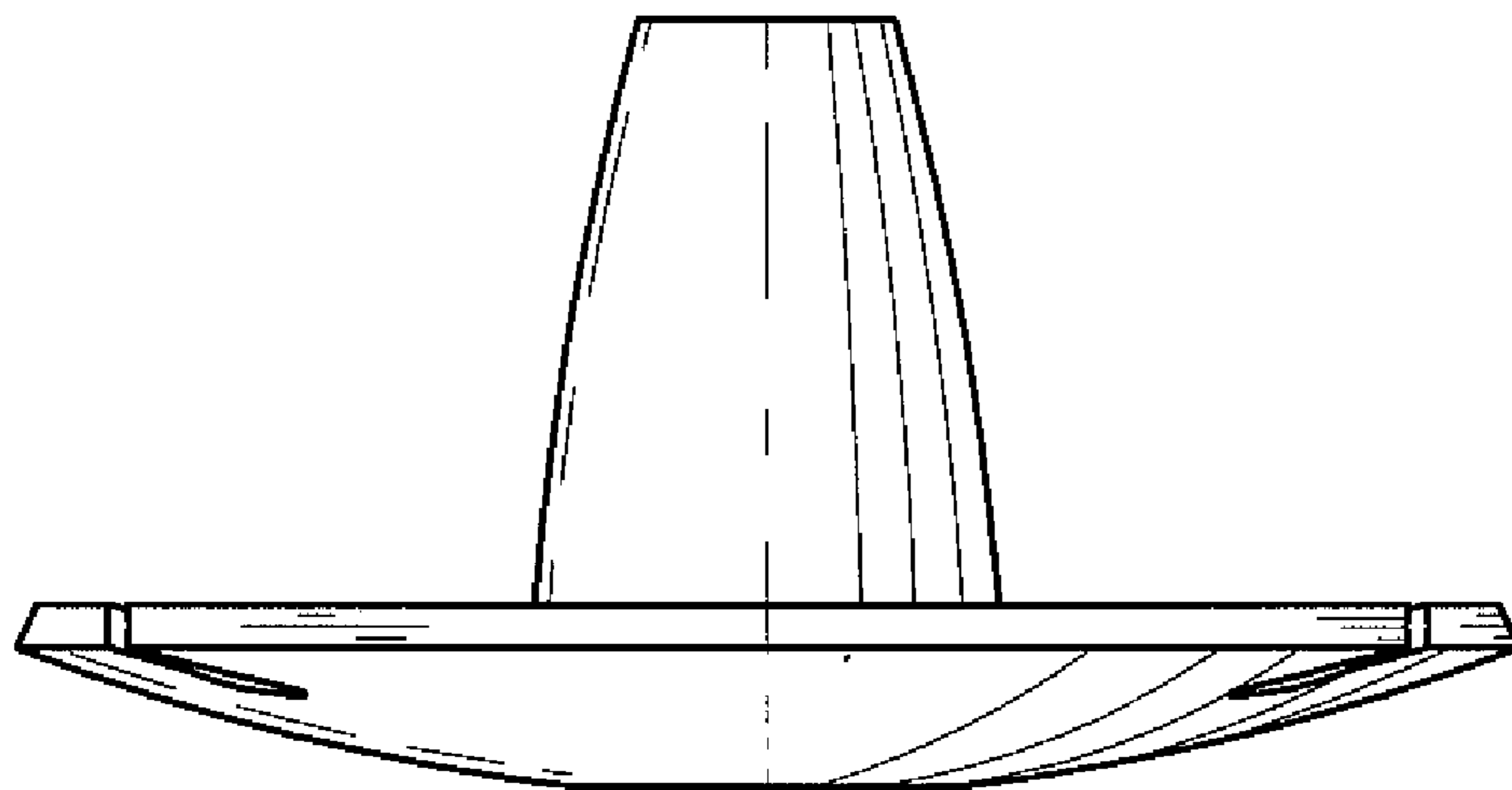


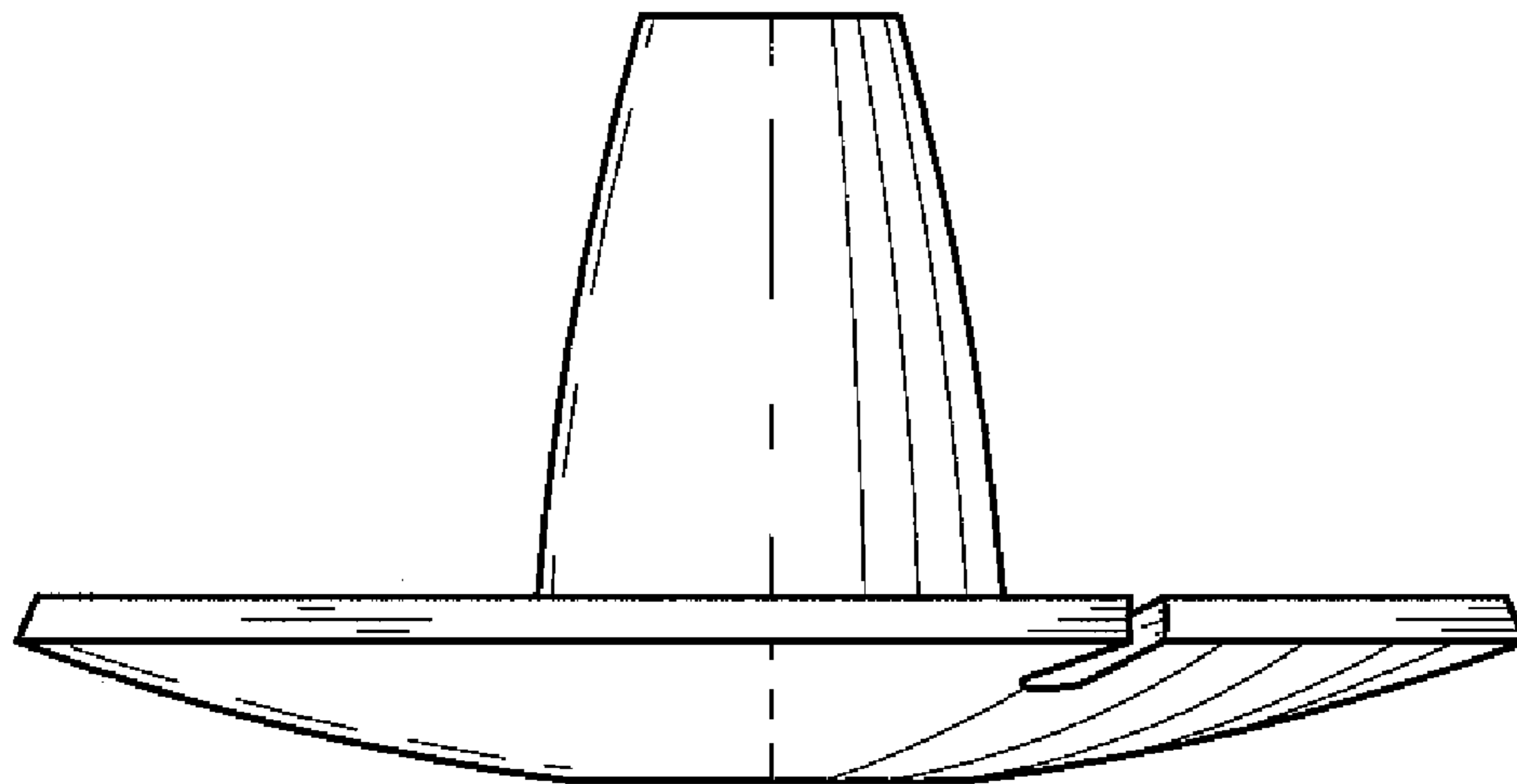
FIG. 1



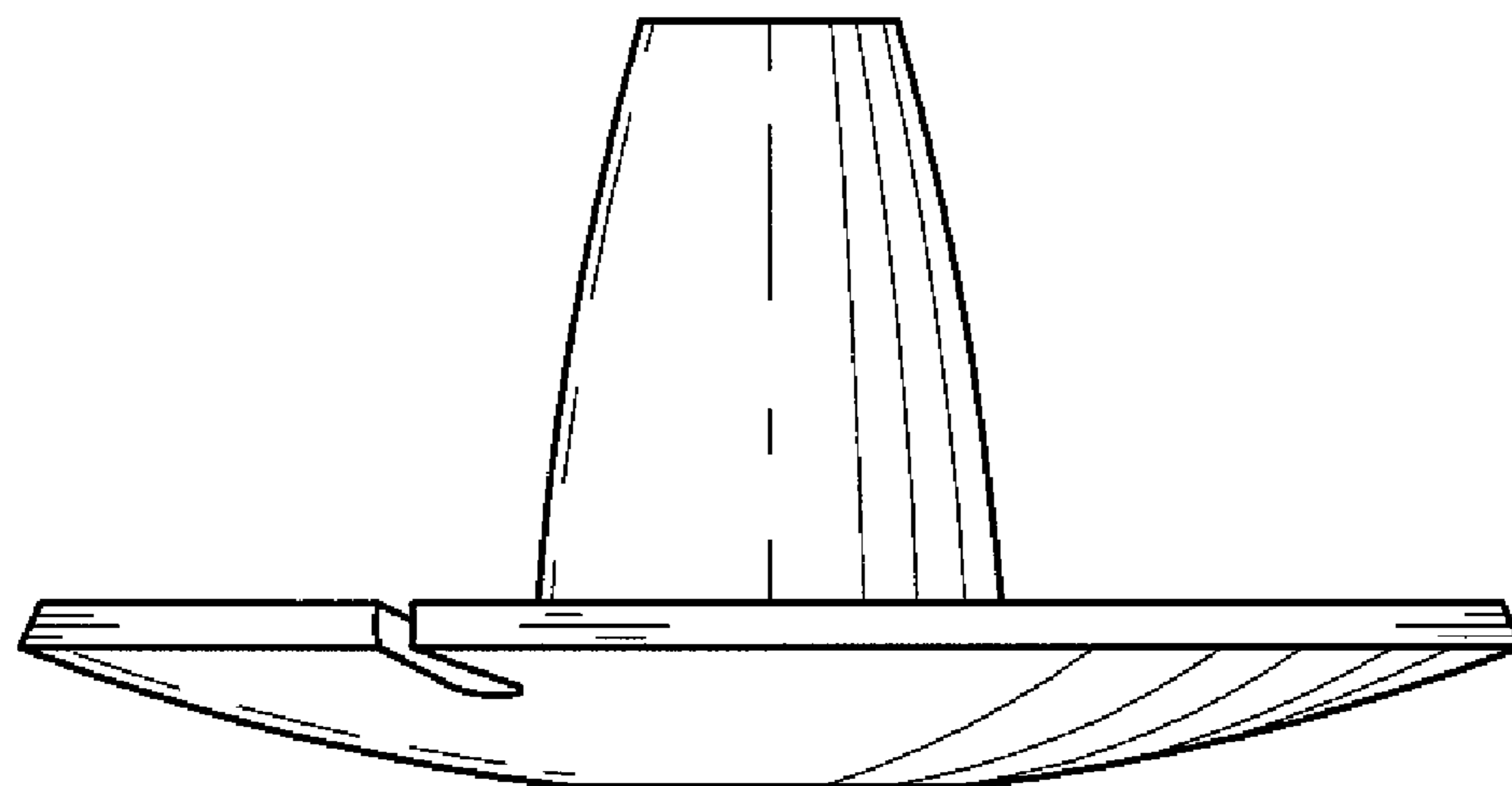
*FIG. 2*



*FIG. 3*



*FIG. 4*



*FIG. 5*

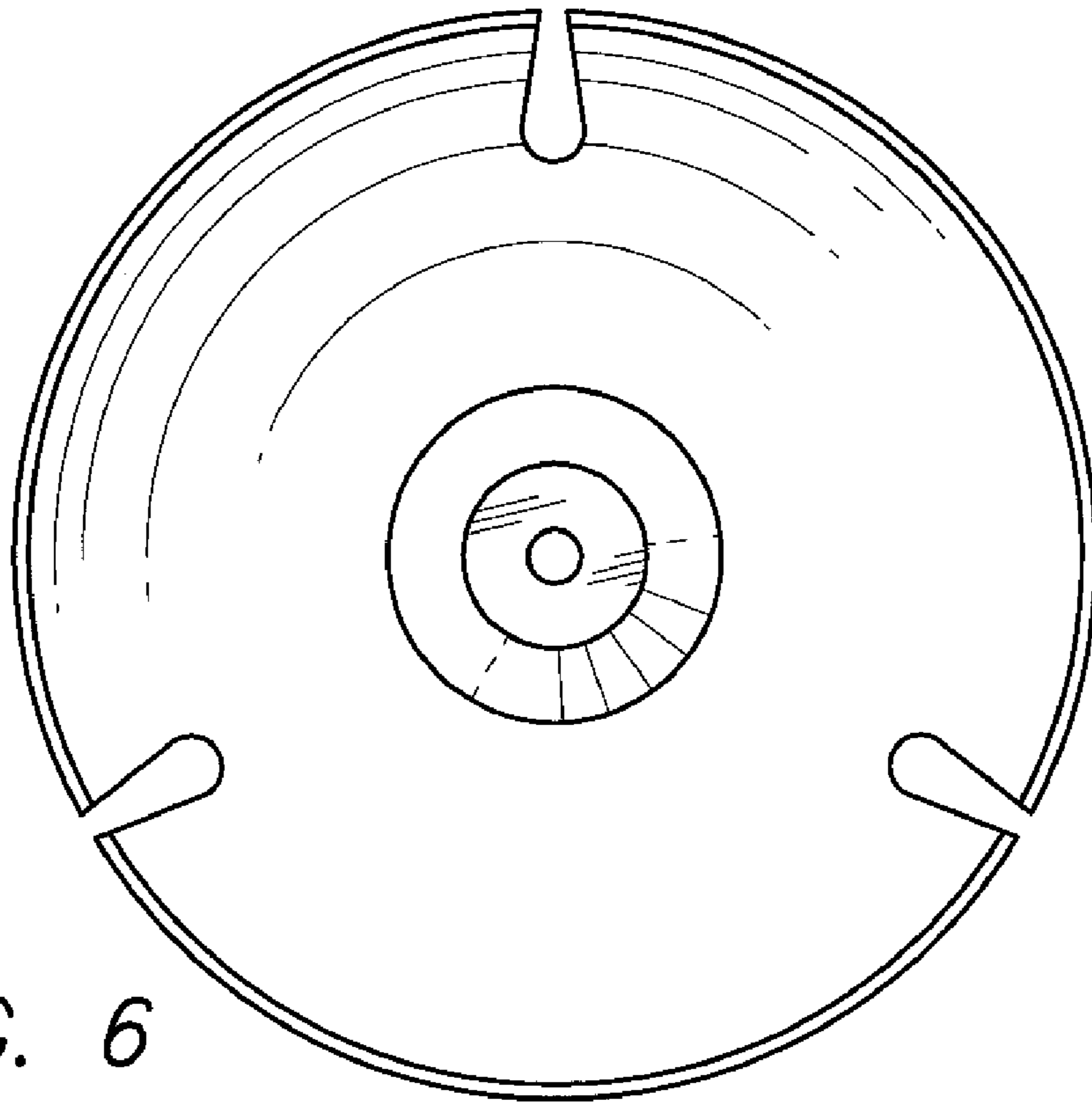


FIG. 6

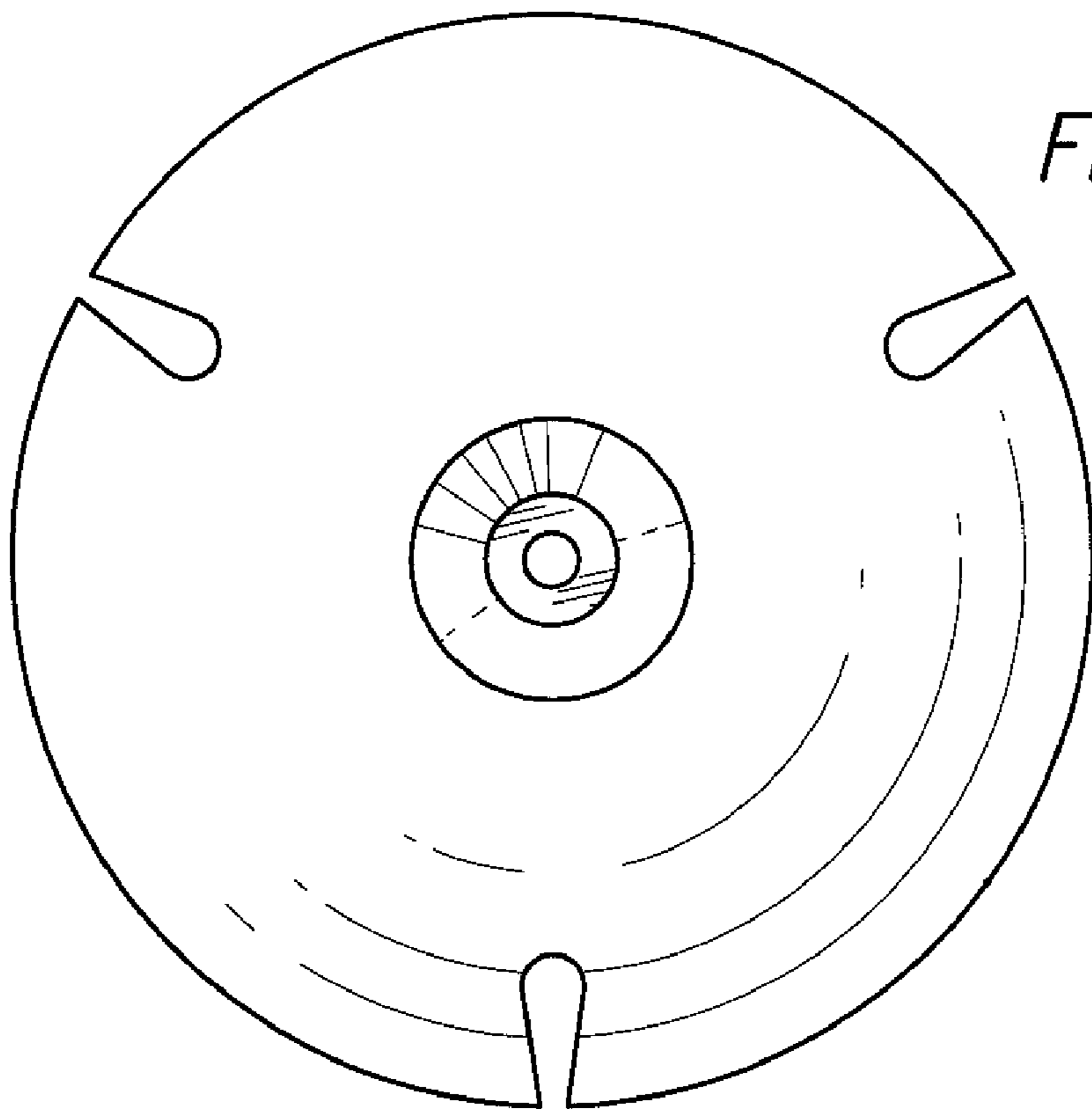


FIG. 7