



US00D571189S

(12) **United States Design Patent**
Verelli et al.

(10) **Patent No.:** **US D571,189 S**
(45) **Date of Patent:** **** Jun. 17, 2008**

(54) **BOLSTER BAR**

6,948,291 B2 * 9/2005 Haslem et al. 52/677

* cited by examiner

(76) Inventors: **Angelo Verelli**, 532 90 ieme ave,
Lasalle, QBC (CA) H8R 2Z7; **Carlo**
Verelli, 532 90 ieme ave, Lasalle, QBC
(CA) H8R 2Z7

Primary Examiner—Holly H Baynham
(74) *Attorney, Agent, or Firm*—Equinox Protection; Franz
Bonsang, Patent Agent

(**) Term: **14 Years**

(57) **CLAIM**

(21) Appl. No.: **29/274,809**

The ornamental design for a bolster bar, as shown and
described.

(22) Filed: **May 29, 2007**

(51) **LOC (8) Cl.** **08-05**

(52) **U.S. Cl.** **D8/354**

(58) **Field of Classification Search** D8/354;
52/684, 687-688

See application file for complete search history.

DESCRIPTION

FIG. 1 is a top perspective view of a bolster bar showing our
new design;

FIG. 2 is a front elevational view thereof; the rear eleva-
tional view is a mirror image thereof;

FIG. 3 is a top plan view thereof;

FIG. 4 is a left side elevational view thereof;

FIG. 5 is a right side elevational view thereof; and,

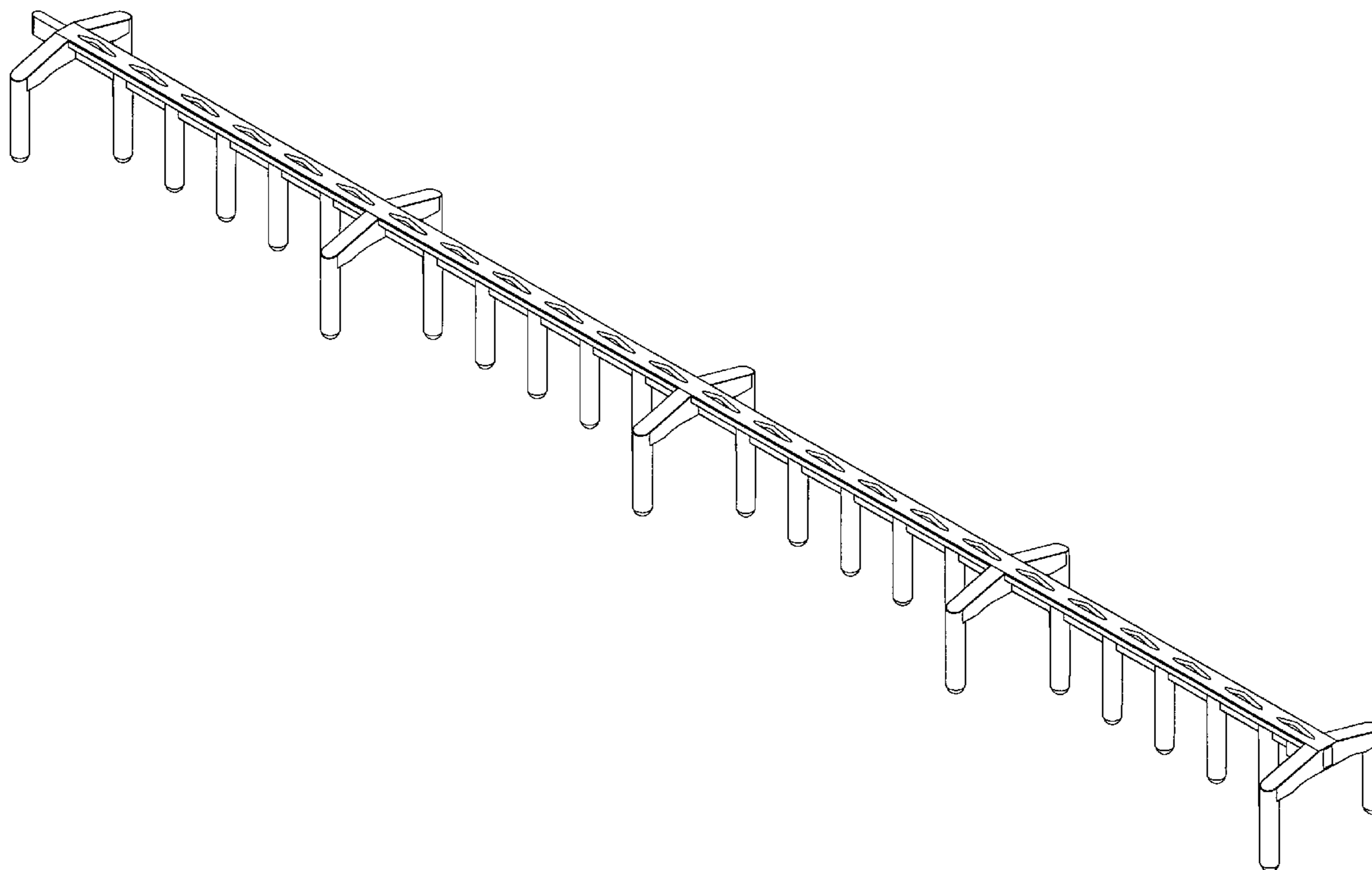
FIG. 6 is a bottom plan view thereof.

(56) **References Cited**

U.S. PATENT DOCUMENTS

4,942,714 A 7/1990 Langley, Jr. et al.
D393,997 S 5/1998 Hartzheim
6,735,918 B2 * 5/2004 Haslem et al. 52/677

1 Claim, 5 Drawing Sheets



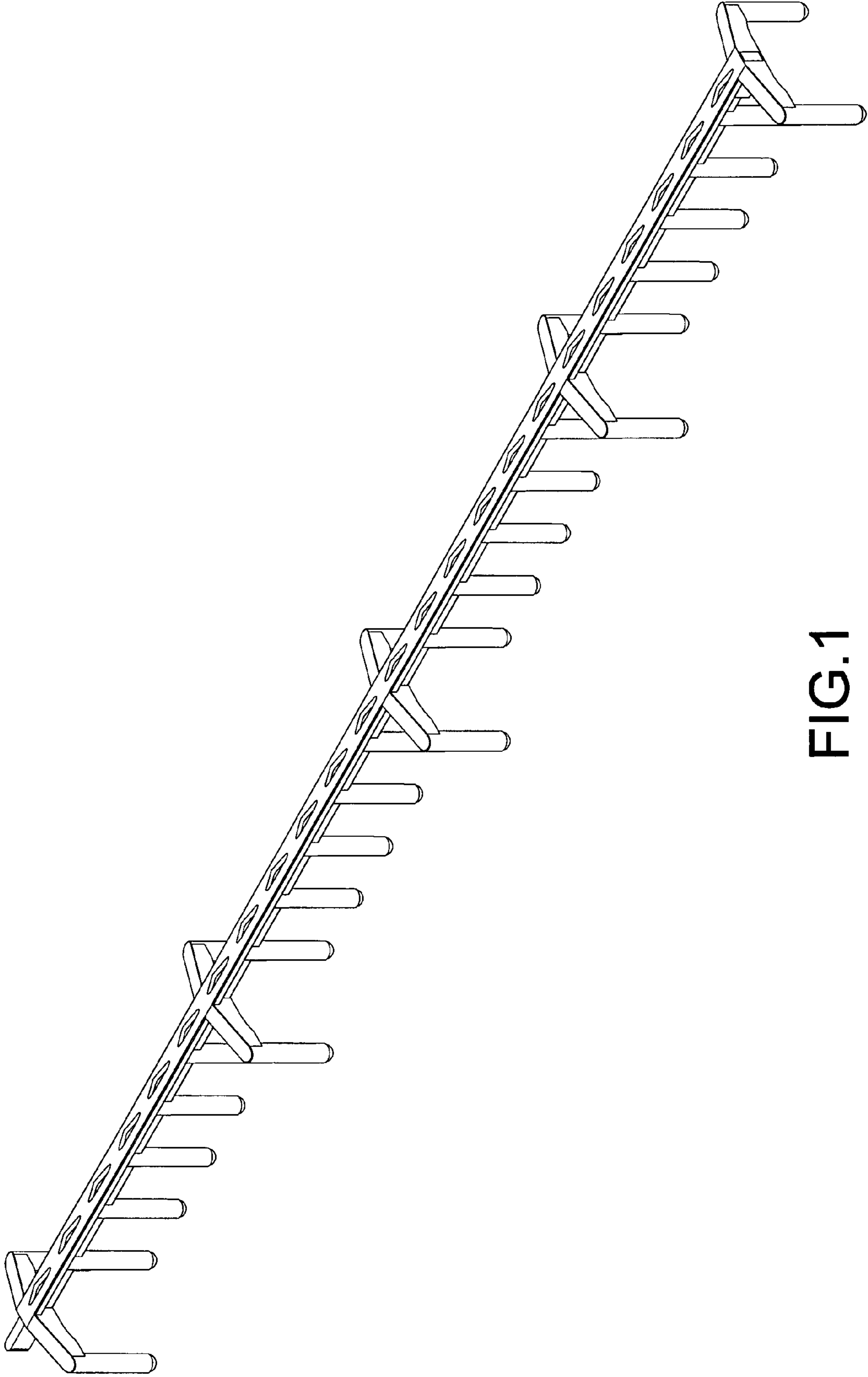


FIG. 1

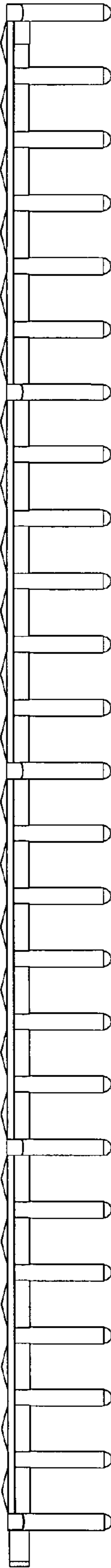


FIG.2

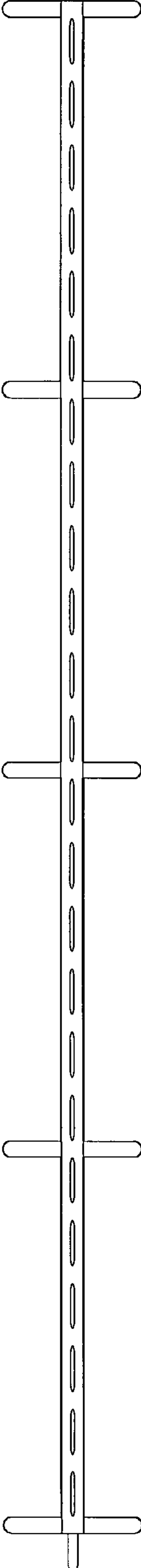


FIG.3

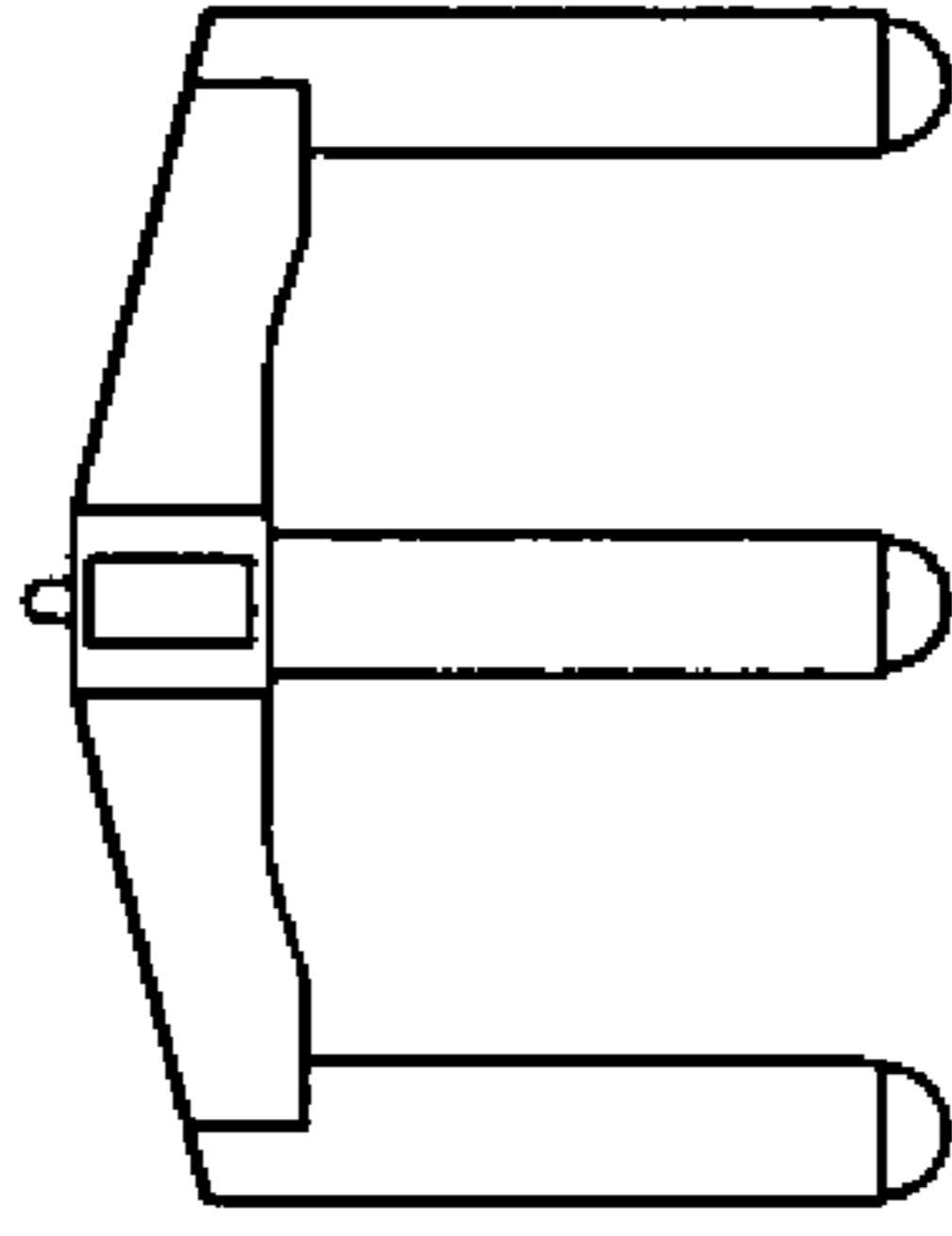


FIG.4

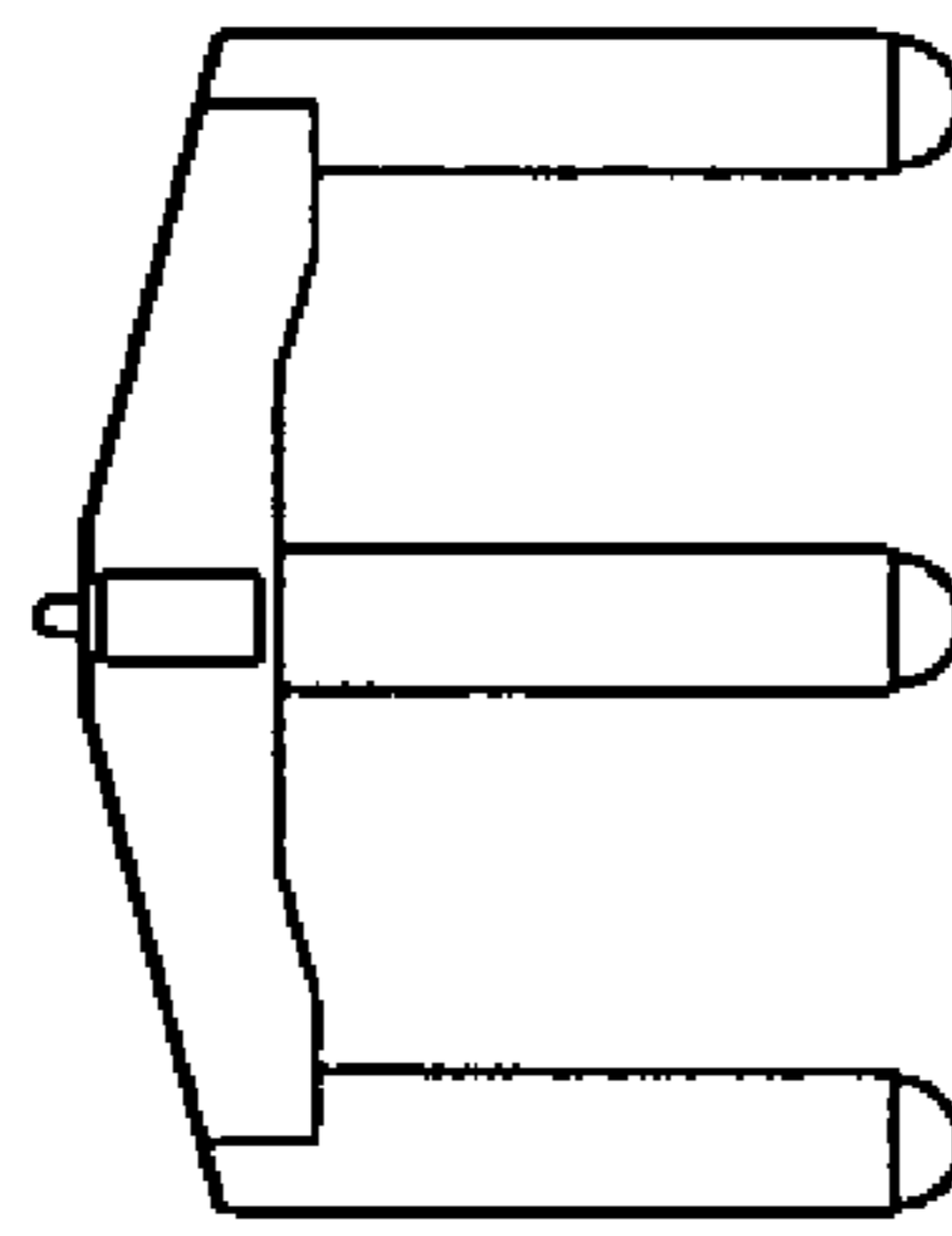


FIG.5

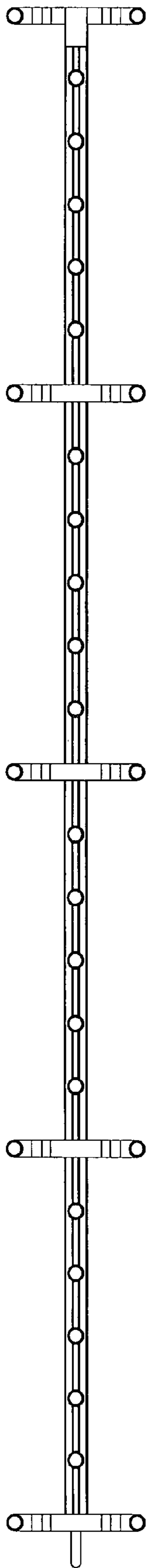


FIG.6