

US00D571188S

(12) **United States Design Patent**
Brassard

(10) **Patent No.:** **US D571,188 S**
(45) **Date of Patent:** **** Jun. 17, 2008**

(54) **ADAPTER PLATE**

(75) Inventor: **Paul Brassard**, Arcadia, CA (US)

(73) Assignee: **Arkon Resources, Inc.**, Arcadia, CA (US)

(**) Term: **14 Years**

(21) Appl. No.: **29/273,034**

(22) Filed: **Feb. 22, 2007**

(51) **LOC (8) Cl.** **08-05**

(52) **U.S. Cl.** **D8/354**

(58) **Field of Classification Search** D8/349,
D8/354; D14/451-452, 217; 248/278.1,
248/284.1, 274.1, 200, 300, 634, 678
See application file for complete search history.

(56) **References Cited**

U.S. PATENT DOCUMENTS

5,558,804	A *	9/1996	Doss-Desouza	248/634
5,820,093	A *	10/1998	Murray	248/274.1
D427,888	S *	7/2000	Hannon	D8/354
D505,856	S *	6/2005	Kim et al.	D8/353

OTHER PUBLICATIONS

Catalogue entitled "ARKON—The Mobile Mounting Specialists™ OEM Solutions Guide—Mounting Pedestals, Cradles, and Brackets," 8 pages (front to back). Copyright 2005 Arkon Resources, Inc.

* cited by examiner

Primary Examiner—Holly H Baynham

(74) *Attorney, Agent, or Firm*—Christie, Parker & Hale, LLP.

(57) **CLAIM**

The ornamental design for adapter plate, as shown and described.

DESCRIPTION

FIG. 1 is a front perspective view showing my new design;

FIG. 2 is a rear perspective view;

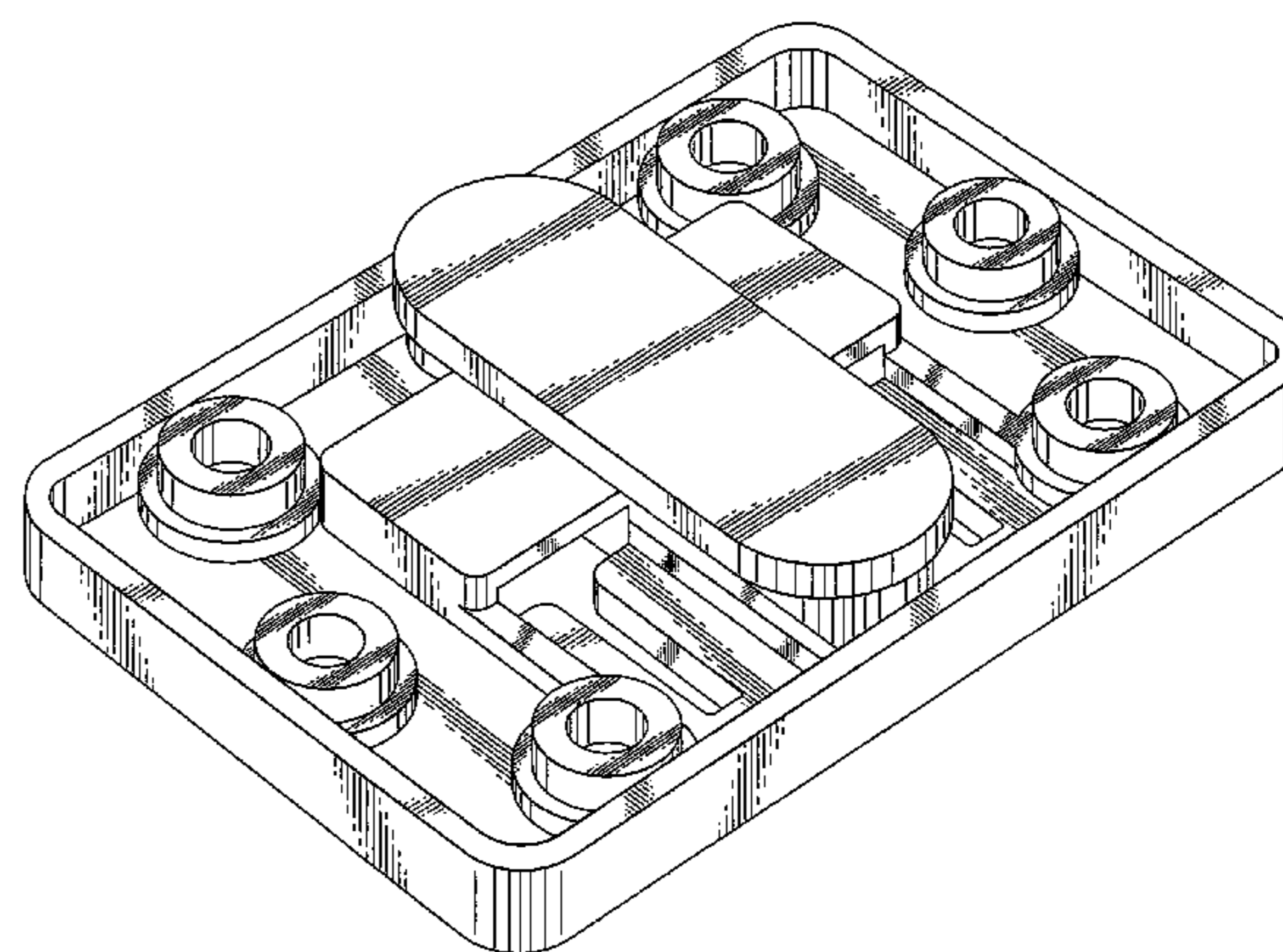
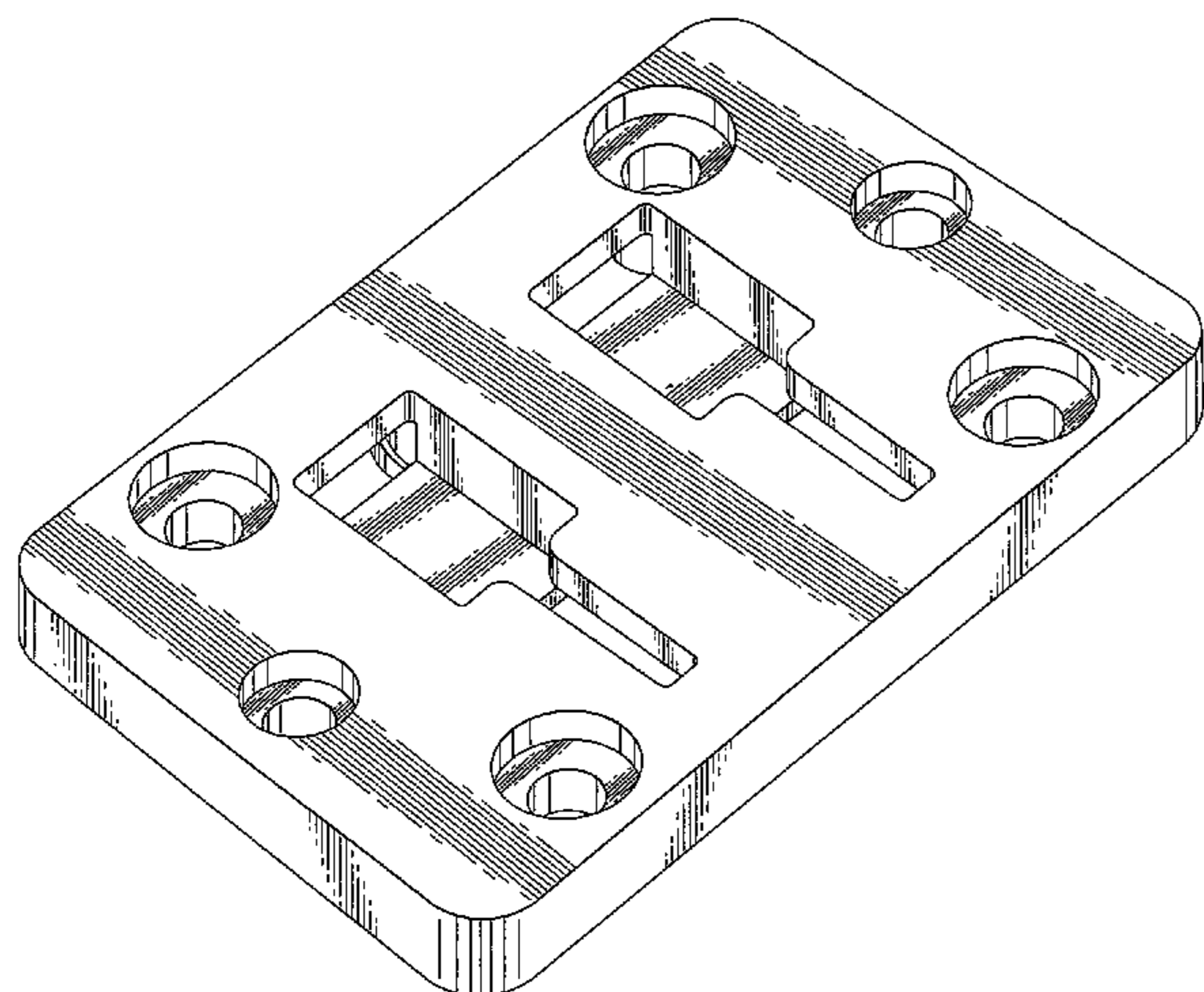
FIG. 3 is a top view;

FIG. 4 is a front view, rear view is mirror image thereof;

FIG. 5 is a left side view; right side view is a mirror image thereof; and,

FIG. 6 is a bottom view.

1 Claim, 4 Drawing Sheets



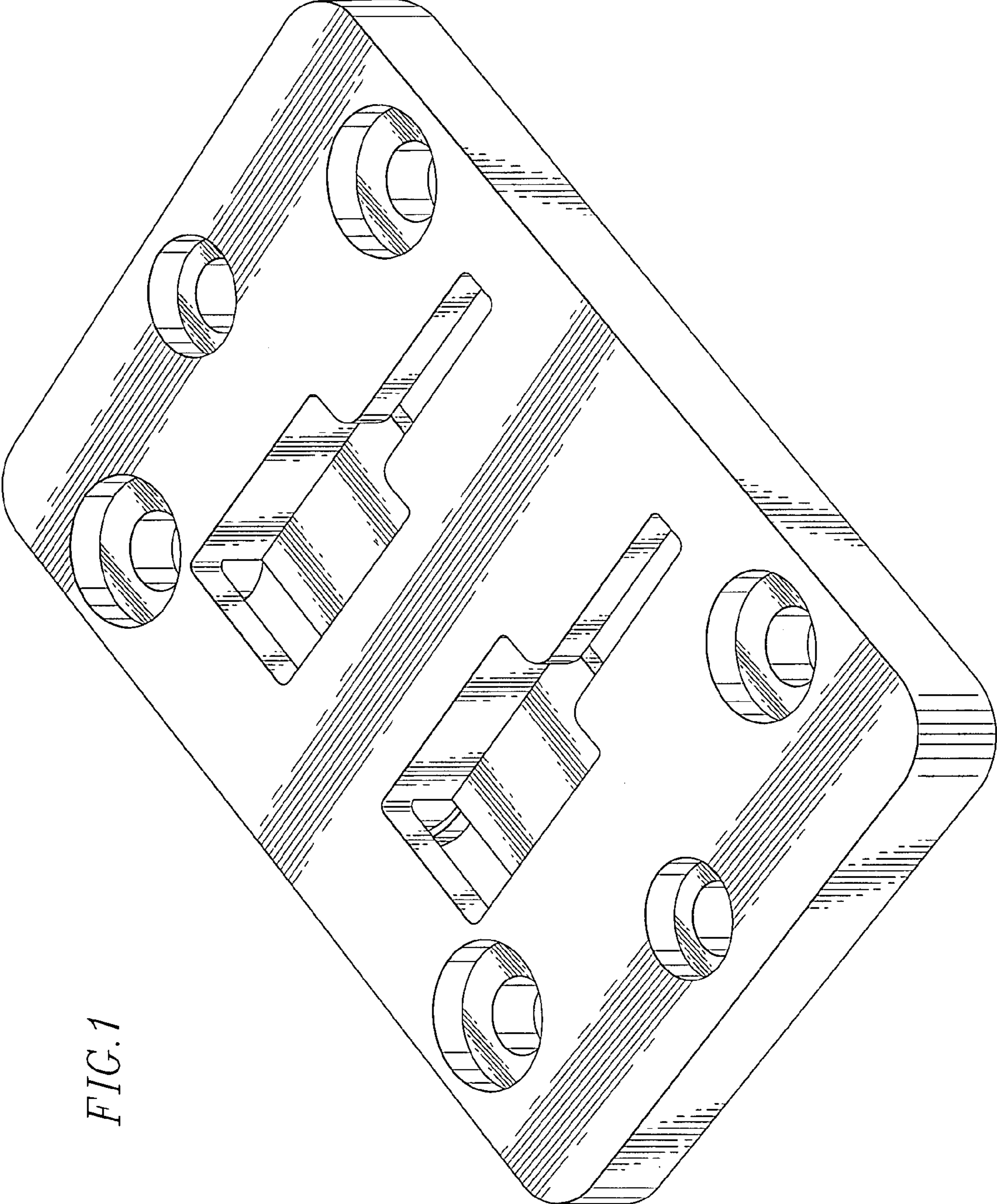


FIG. 1

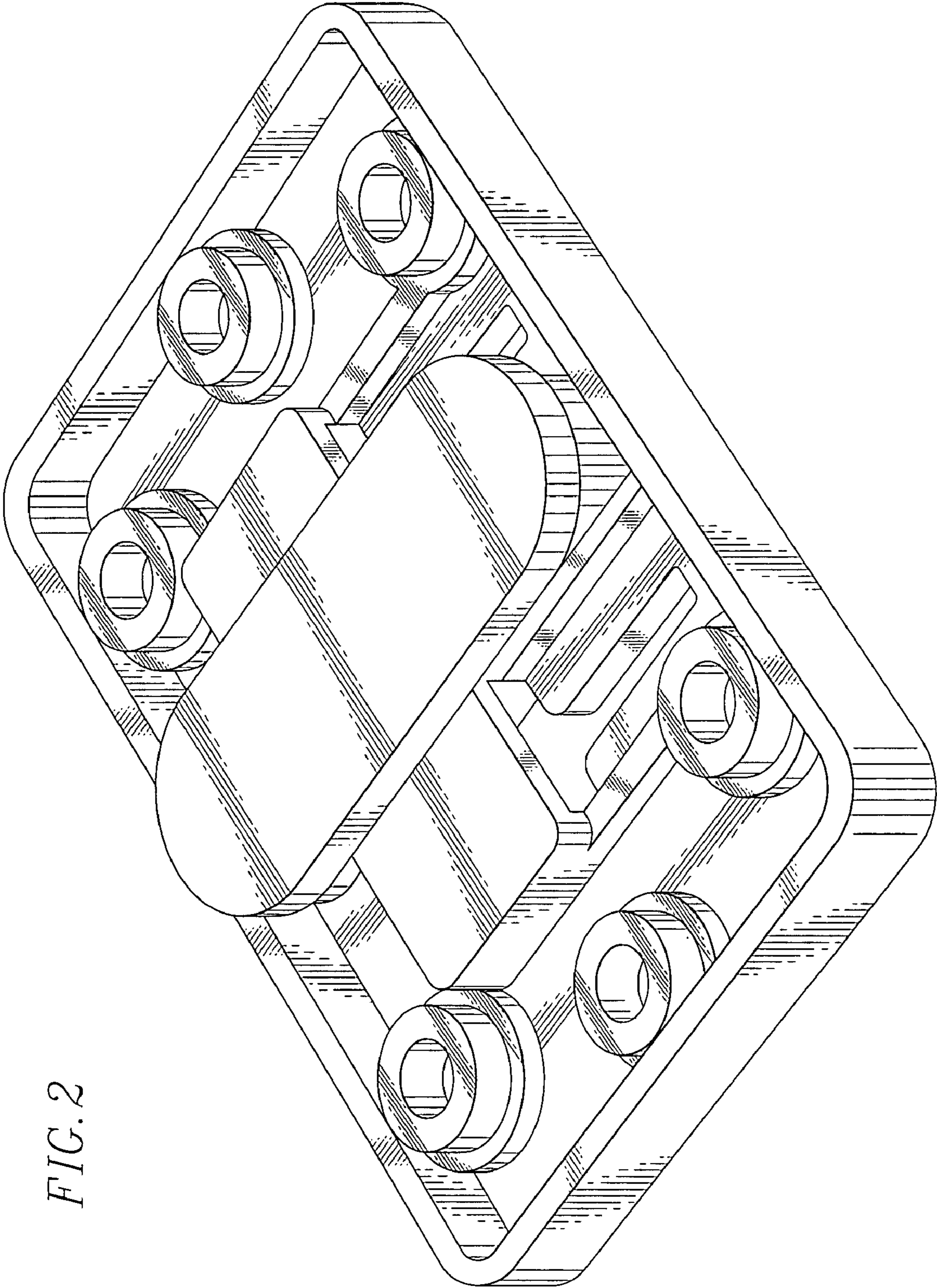


FIG. 2

FIG. 3

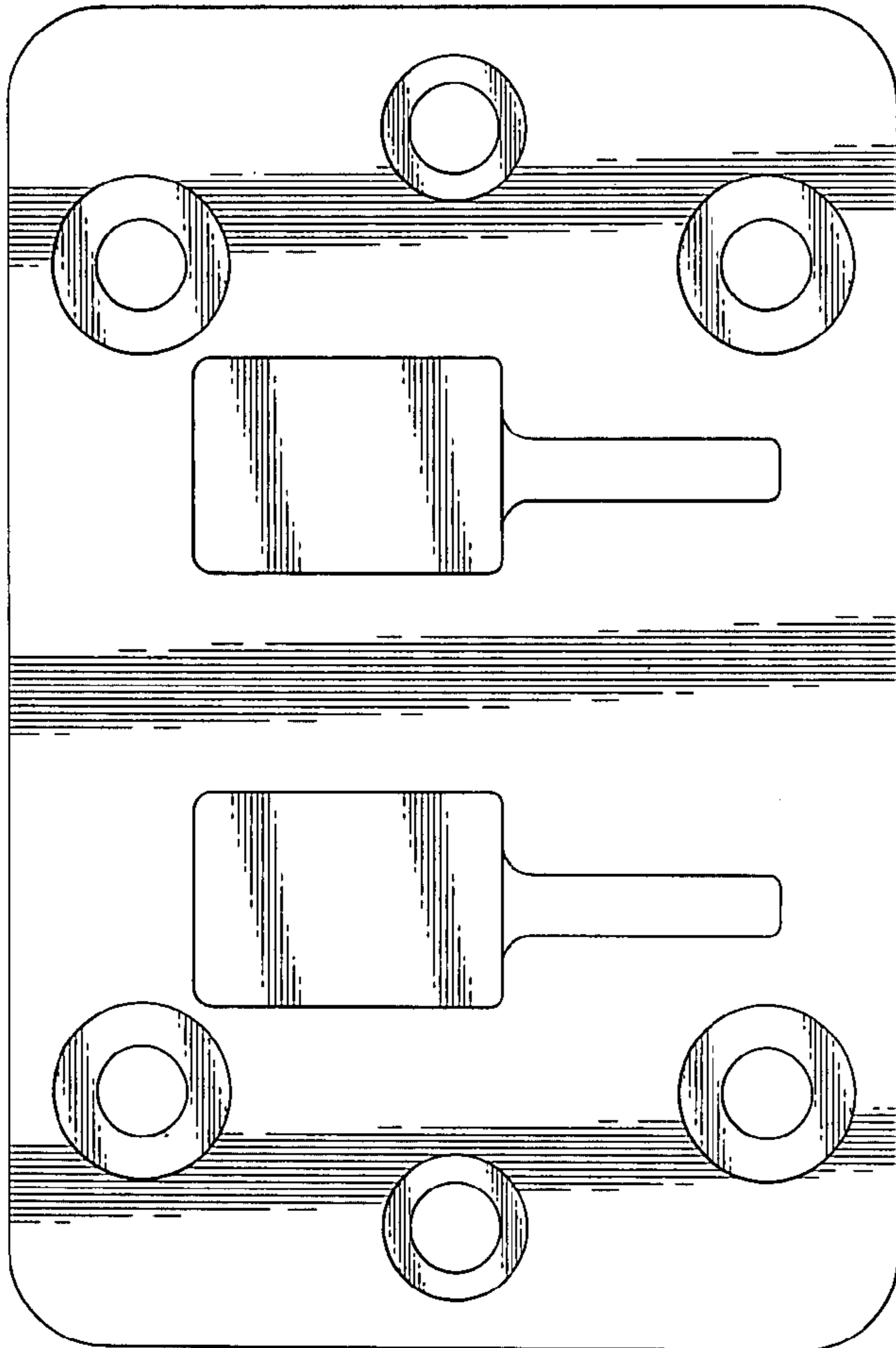


FIG. 4

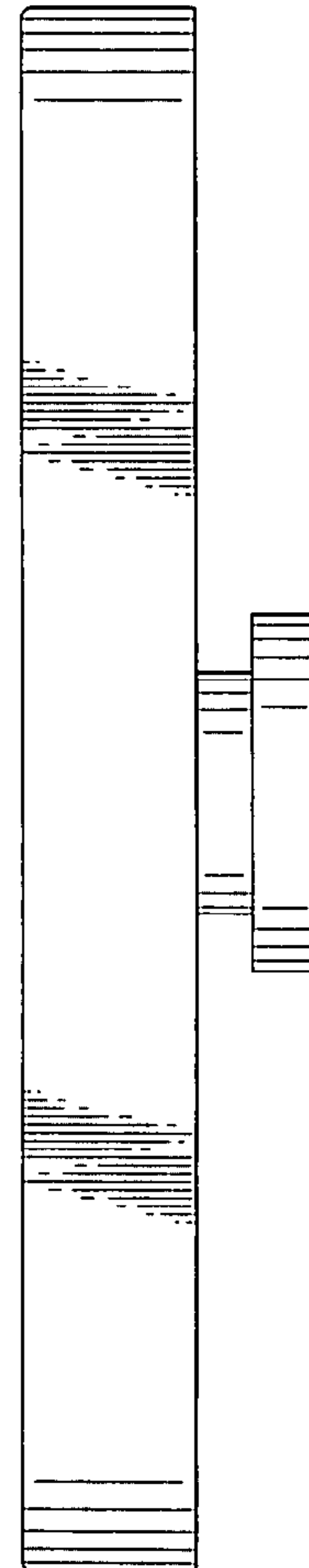


FIG. 5

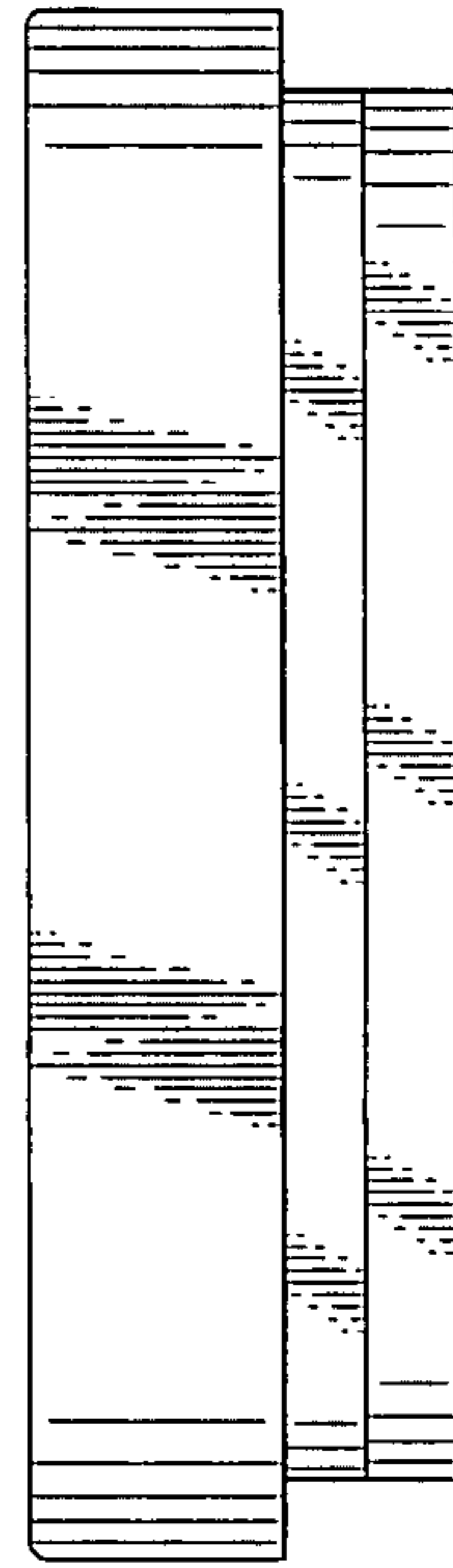


FIG. 6

