



US00D571186S

(12) **United States Design Patent**  
**Veltz**

(10) **Patent No.:** **US D571,186 S**  
(45) **Date of Patent:** **\*\* Jun. 17, 2008**

(54) **DEADBOLT**

(75) Inventor: **Jason D. Veltz**, Laguna Hills, CA (US)

(73) Assignee: **Newfrey LLC**, Newark, DE (US)

(\*\*) Term: **14 Years**

(21) Appl. No.: **29/299,524**

(22) Filed: **Dec. 28, 2007**

**Related U.S. Application Data**

(63) Continuation-in-part of application No. 11/247,654, filed on Oct. 11, 2005.

(51) **LOC (8) Cl.** ..... **08-07**

(52) **U.S. Cl.** ..... **D8/331**

(58) **Field of Classification Search** ..... D8/330,  
D8/331, 337, 338, 340, 301; 70/86, 107,  
70/110, 111, 141; 292/2, 92, 96, 162, DIG. 44  
See application file for complete search history.

(56) **References Cited**

**U.S. PATENT DOCUMENTS**

4,418,552	A *	12/1983	Nolin	70/107
4,520,639	A *	6/1985	Wartian	70/110
D285,772	S *	9/1986	Oliver	D8/341
4,864,835	A *	9/1989	Wartian	70/107
D329,370	S *	9/1992	Manning	D8/331

D380,136	S *	6/1997	Denzer, Jr.	D8/341
6,526,787	B2 *	3/2003	Ming-Chih	70/107
D484,389	S *	12/2003	Evans	D8/331
6,865,913	B2 *	3/2005	Yamagishi	70/224
D552,961	S *	10/2007	Roberts	D8/331
D563,764	S *	3/2008	Hacker	D8/331
2007/0080778	A1 *	4/2007	Strader et al.	340/5.53

\* cited by examiner

*Primary Examiner*—Prabhakar Deshmukh

(74) *Attorney, Agent, or Firm*—Richard J. Veltman; John D. DelPonti

(57) **CLAIM**

The ornamental design for a deadbolt, as shown and described.

**DESCRIPTION**

FIG. 1 is a front perspective view of a deadbolt showing my new design;

FIG. 2 is a right side elevational view thereof, the left side elevational view being a mirror image thereof;

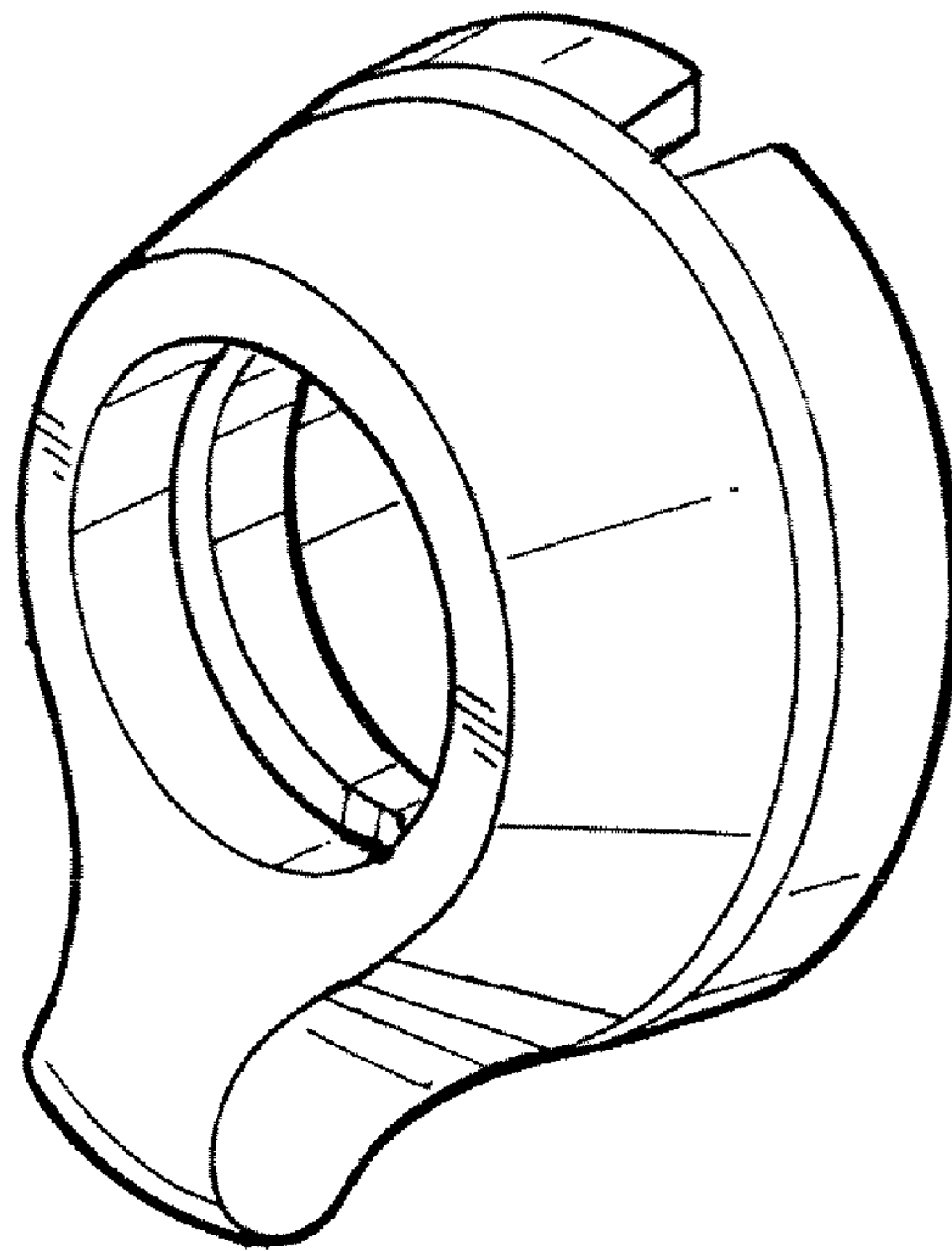
FIG. 3 is a front elevational view thereof;

FIG. 4 is a top plan view thereof;

FIG. 5 is a bottom plan view thereof; and,

FIG. 6 is a rear elevational view thereof.

**1 Claim, 2 Drawing Sheets**



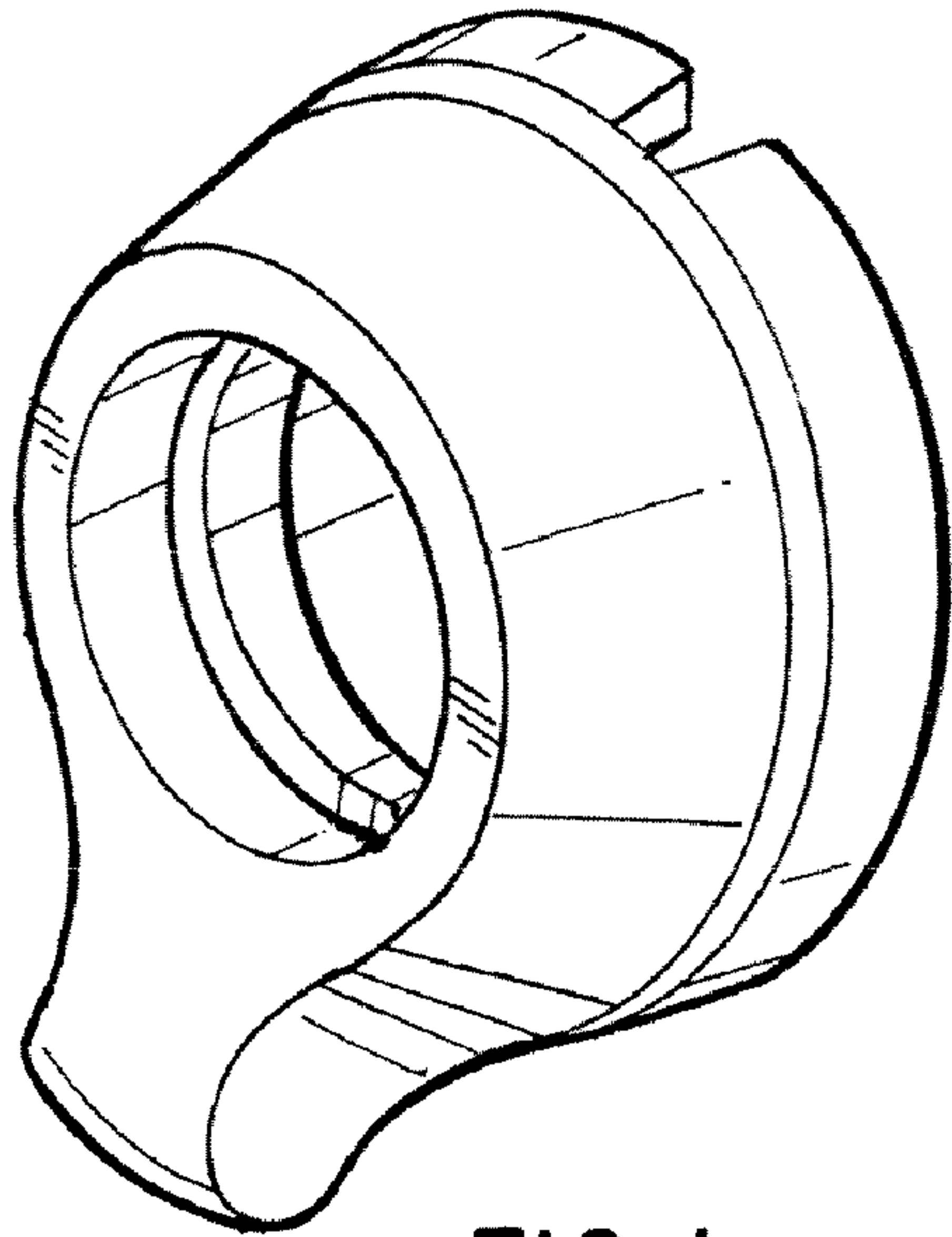


FIG. 1

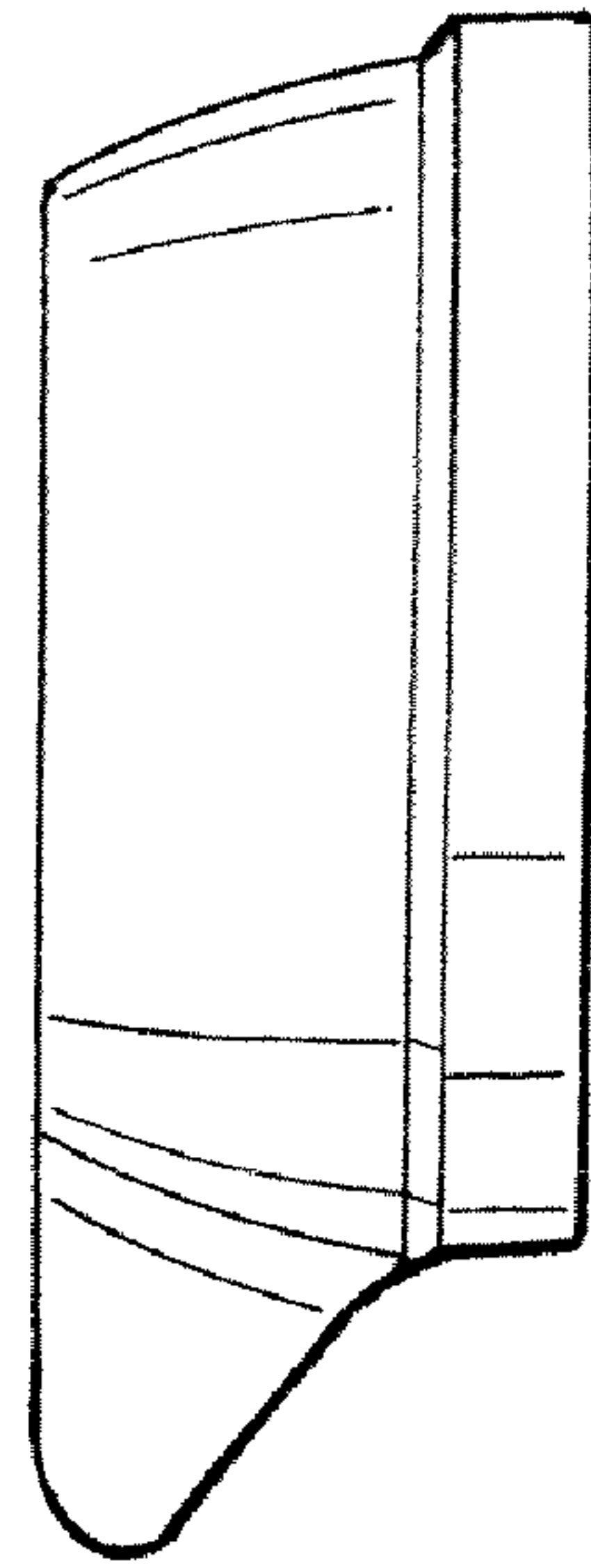


FIG. 2

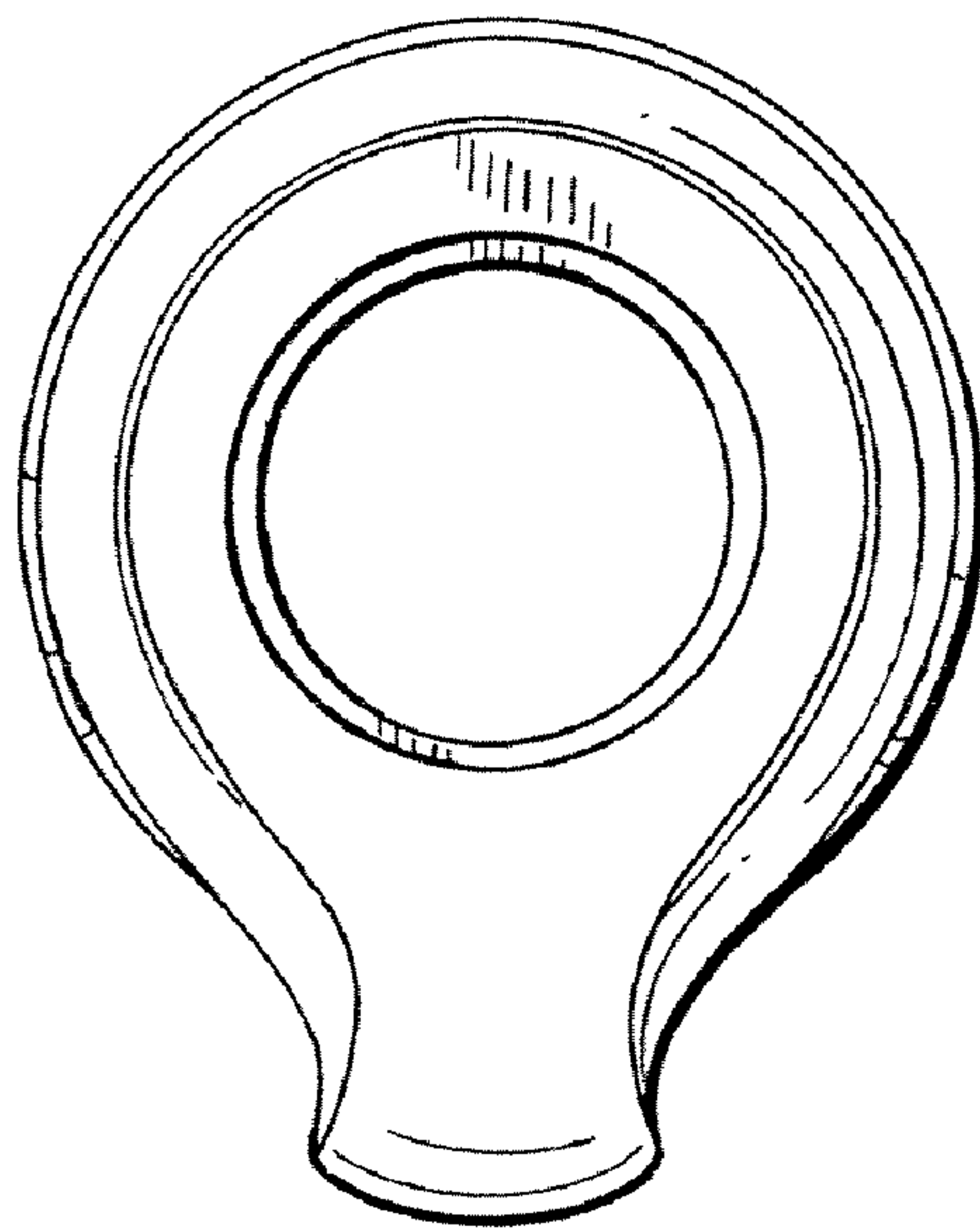


FIG. 3

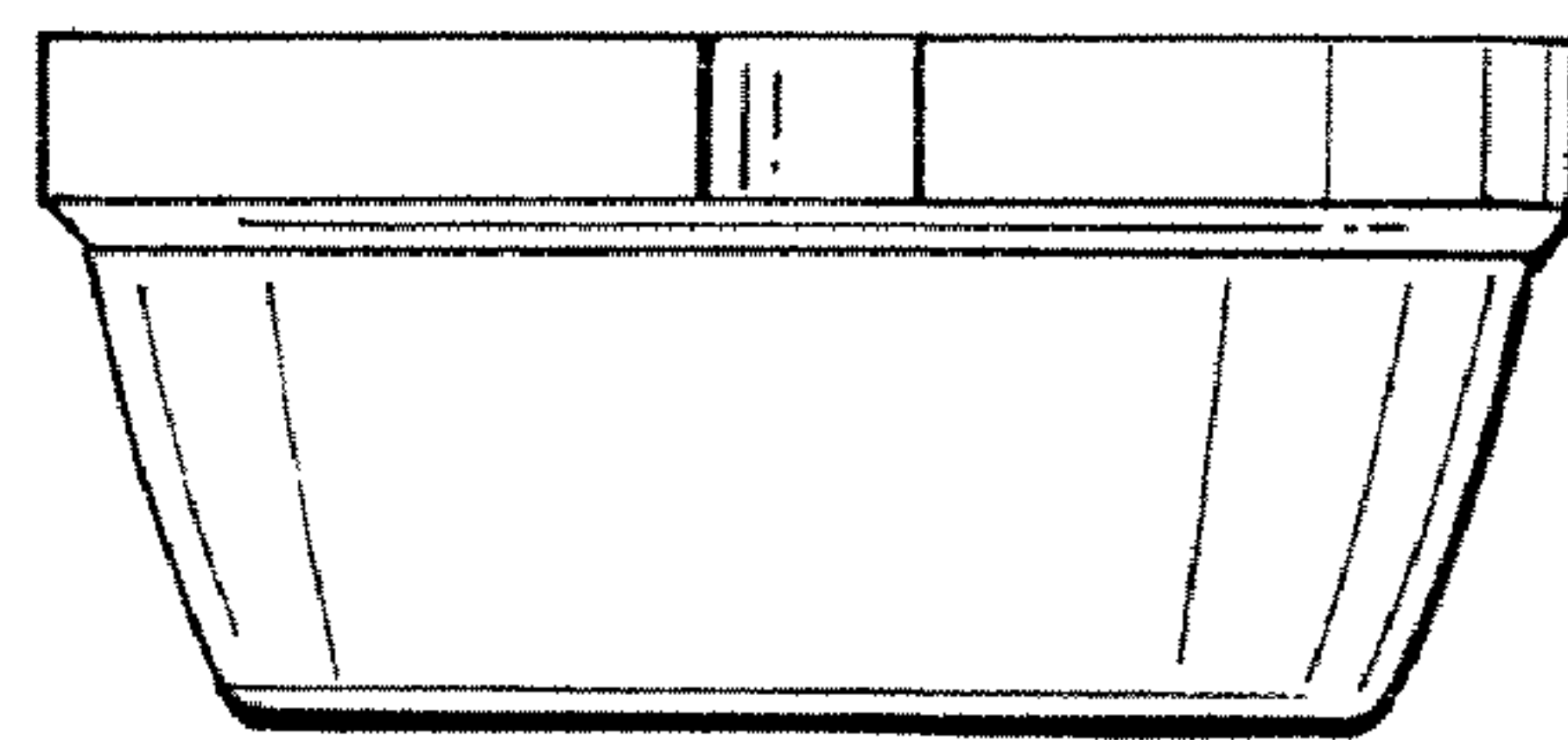


FIG. 4

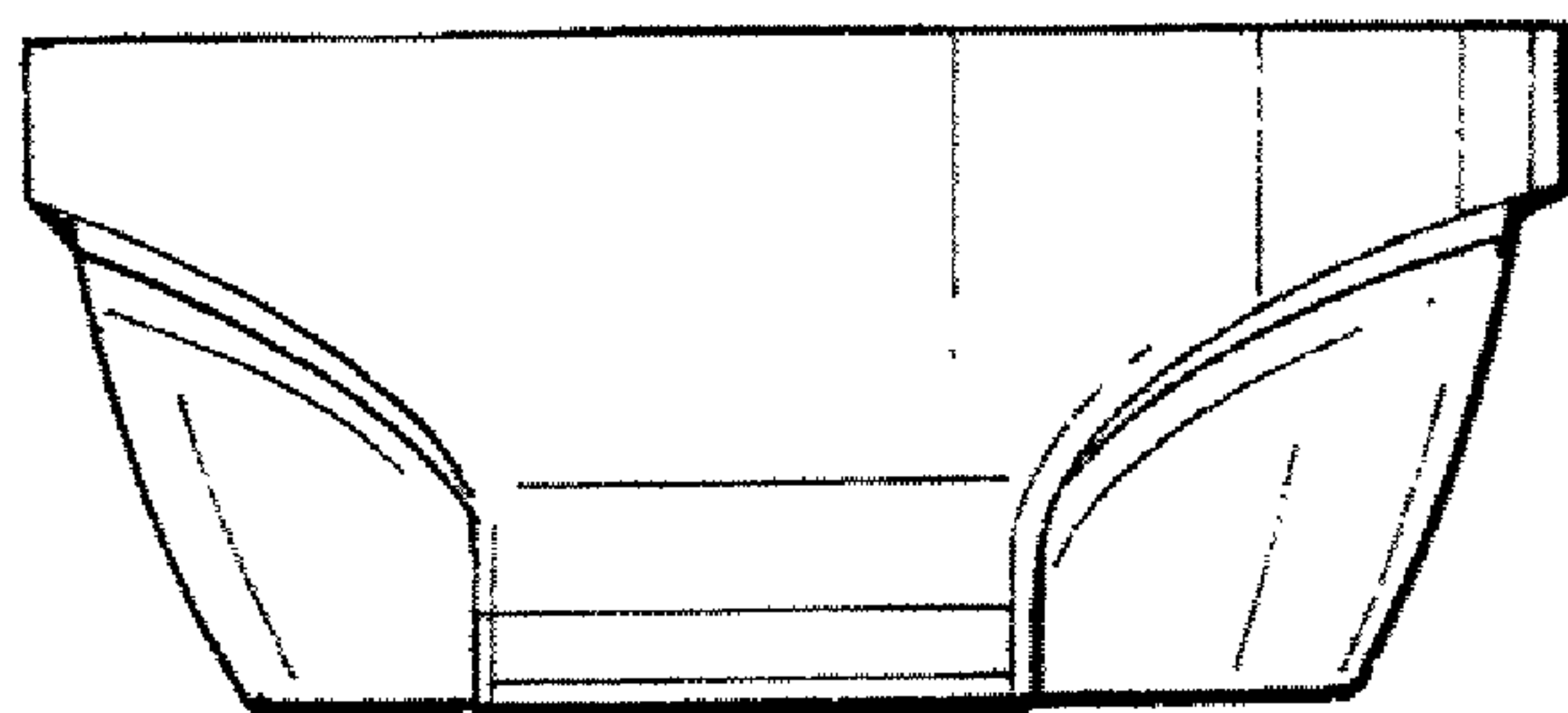


FIG. 5

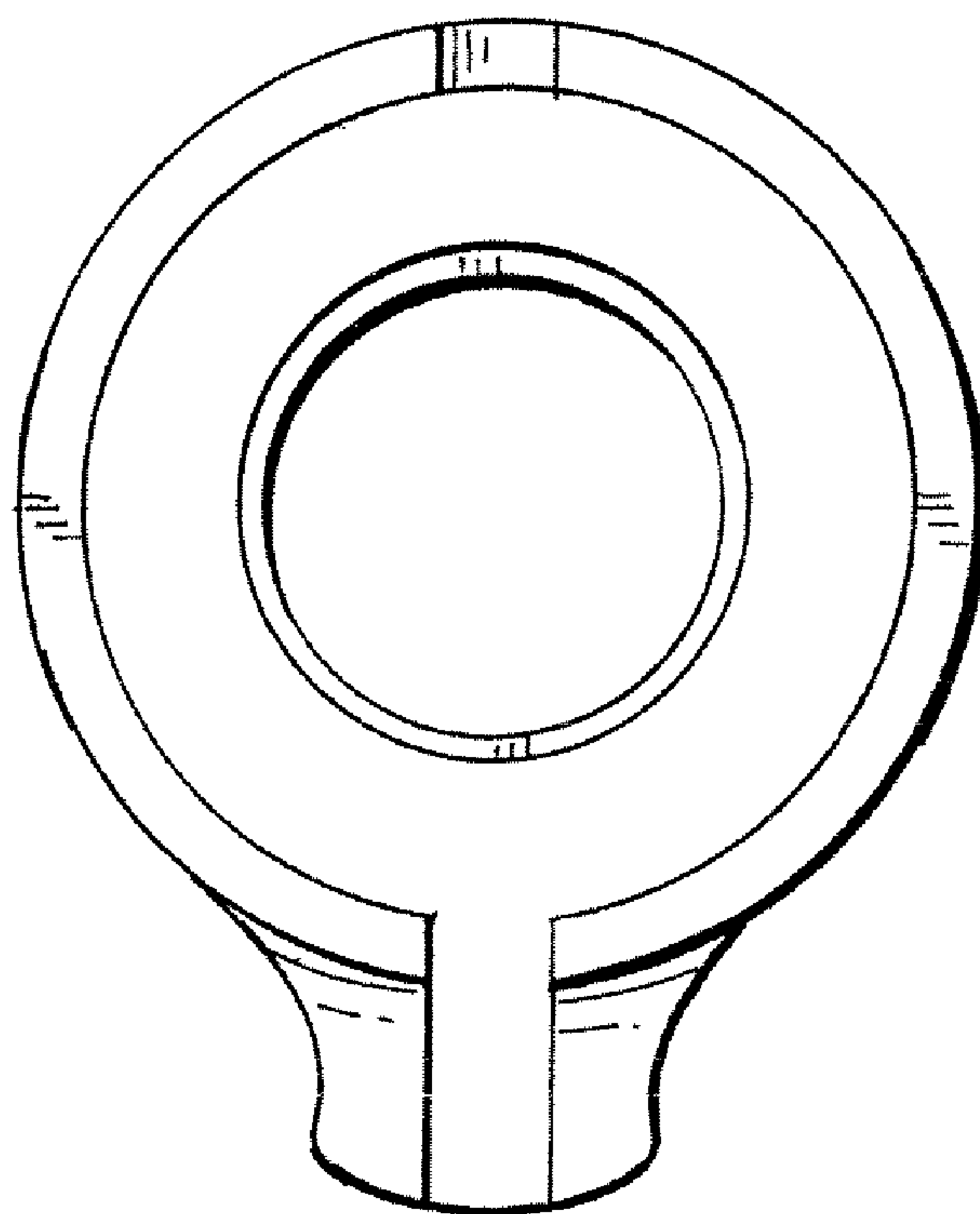


FIG. 6