



US00D571184S

(12) **United States Design Patent**
Ricereto

(10) **Patent No.:** **US D571,184 S**
(45) **Date of Patent:** **** Jun. 17, 2008**

- (54) **PULL**
- (75) Inventor: **Michael Hart Ricereto**, Baltimore, MD (US)
- (73) Assignee: **Newell Operating Company**, Atlanta, GA (US)
- (**) Term: **14 Years**
- (21) Appl. No.: **29/278,549**
- (22) Filed: **Apr. 2, 2007**
- (51) **LOC (8) Cl.** **08-06**
- (52) **U.S. Cl.** **D8/316**
- (58) **Field of Classification Search** D8/300, D8/302, 305, 307, 310-312, 315-321, DIG. 1, D8/DIG. 2; D7/393, 394; D3/318; D23/250-254, D23/303, 305; D6/549; D15/89; 292/347, 292/336.3; 200/336, 341; 16/441, 118, 110 R, 16/111 R, DIG. 19, DIG. 20, 110.1, 412, 16/414-420, 443-446; 211/16
See application file for complete search history.

(56) **References Cited**

U.S. PATENT DOCUMENTS

0,436,523 A	9/1890	Glover	
D022,755 S	8/1893	Russell	
D035,238 S	10/1901	Tower	
0,784,131 A	3/1905	Assel	
D047,069 S	3/1915	Burns	
D067,474 S	6/1925	Rosenthal	
2,002,817 A	5/1935	Johnson	
D098,440 S	2/1936	Martin	
D100,034 S	6/1936	McCormick	
D104,262 S	4/1937	Hewes	
D115,537 S	7/1939	Bahr	
D116,935 S	10/1939	Jung	
D121,558 S	7/1940	Borchers	
D127,190 S	5/1941	Jung	
D129,927 S *	10/1941	Peat	D8/317
D144,638 S *	5/1946	Stewart	D8/317
D152,901 S	3/1949	Petersen	

D169,533 S	5/1953	Deadrick	
2,688,297 A	9/1954	Livermont et al.	
D178,865 S	10/1956	Clayton	
2,796,627 A	6/1957	Heyer	
D186,053 S	9/1959	Clayton	
D194,968 S	4/1963	Stelma	
3,096,115 A	7/1963	Patriquin et al.	
D199,839 S	12/1964	Simpson	
D200,953 S	4/1965	Menezes et al.	
D203,147 S	12/1965	Kaiser	
D203,148 S	12/1965	Kaiser	
D204,128 S	3/1966	Clayton	
D204,461 S	4/1966	Volker	
D207,898 S	6/1967	Doman	
D217,431 S	5/1970	Russell	
D219,702 S	1/1971	Korol	
D222,232 S *	10/1971	Horgan, Jr.	D8/316

(Continued)

Primary Examiner—Stella M. Reid
Assistant Examiner—Mark Goodwin
(74) *Attorney, Agent, or Firm*—Banner & Witcoff, Ltd.

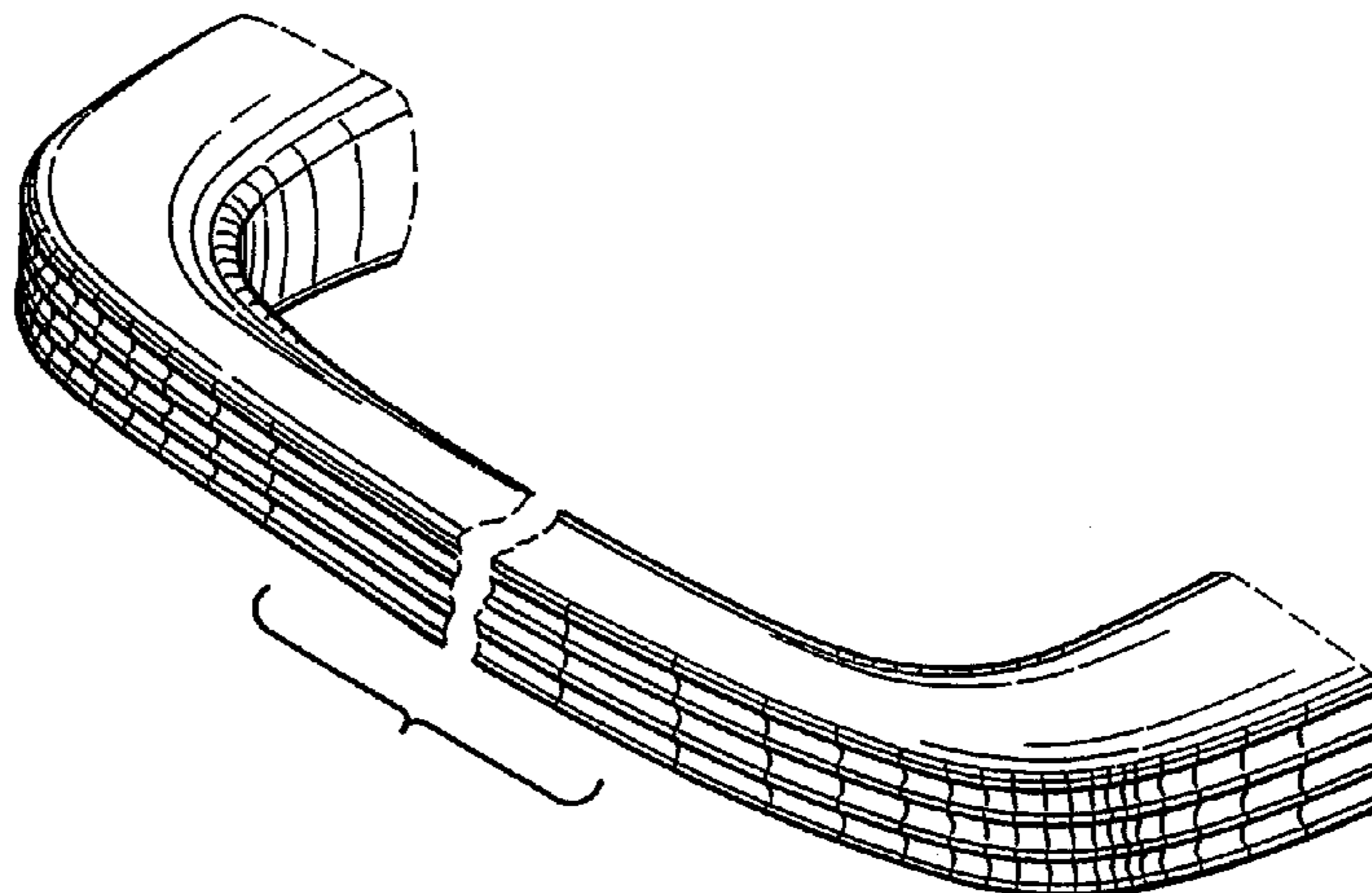
(57) **CLAIM**

I claim the ornamental design for a pull, as shown and described.

DESCRIPTION

FIG. 1 is a perspective view of a pull of the present claimed design;
FIG. 2 is a side view of the pull shown in FIG. 1, the opposite side view being identical thereto;
FIG. 3 is a top view of the pull shown in FIG. 1, the opposite bottom view being identical thereto;
FIG. 4 is a front view of the pull shown in FIG. 1; and,
FIG. 5 is a rear view of the pull shown in FIG. 1.
Features shown in broken lines in the drawings form no part of the claimed design.
The broken away middle portion of FIGS. 1, 3, 4, and 5 has been shown to indicate indeterminate length.

1 Claim, 1 Drawing Sheet



U.S. PATENT DOCUMENTS

D224,225 S	7/1972	Doman	D368,842 S	4/1996	Sonnenleiter	
D232,621 S	9/1974	Zagaroli	D368,843 S *	4/1996	Chieda	D8/317
D241,843 S	10/1976	Shames	D370,613 S	6/1996	Ainscough	
D252,092 S	6/1979	Popeck	D370,614 S	6/1996	Ainscough	
D252,183 S	6/1979	DeWindt	D371,062 S	6/1996	Ainscough	
4,193,166 A	3/1980	Neff	D372,414 S	8/1996	De'Armond	
D256,862 S	9/1980	Ryan et al.	D372,657 S	8/1996	De'Armond	
D267,187 S	12/1982	Ronvik	D372,659 S	8/1996	De'Armond	
D267,774 S	2/1983	Pittenger	D373,065 S	8/1996	De'Armond	
D267,926 S	2/1983	Pittenger	D373,066 S	8/1996	De'Armond	
D268,246 S	3/1983	Tegner	D373,067 S	8/1996	De'Armond	
D270,993 S	10/1983	Tegner	D374,390 S	10/1996	De'Armond	
D270,994 S	10/1983	Tegner	D377,655 S	1/1997	Smith	
D271,464 S	11/1983	Carlson	D377,747 S	2/1997	De'Armond	
D272,800 S	2/1984	Pawlow	D381,252 S *	7/1997	Chieda	D8/317
D274,035 S	5/1984	Pawlow	D386,667 S	11/1997	Smith	
D274,123 S	6/1984	Tegner	D388,272 S	12/1997	Moore	
D284,737 S	7/1986	Clayton	D396,179 S	7/1998	Burns et al.	
D290,337 S	6/1987	Savage	D396,180 S	7/1998	Burns et al.	
D290,493 S	6/1987	Dragos	D399,117 S	10/1998	Burns et al.	
D295,827 S	5/1988	Benjamin	D399,406 S	10/1998	Decursu et al.	
D296,073 S	6/1988	Rhoades	D399,407 S	10/1998	Burns et al.	
D297,211 S	8/1988	Rhoades	D399,723 S	10/1998	Burns et al.	
D300,505 S	4/1989	Palm, Jr. et al.	D401,834 S	12/1998	Burns et al.	
D305,862 S	2/1990	Clayton	D401,835 S	12/1998	Burns et al.	
D305,863 S	2/1990	Gresens et al.	D403,230 S	12/1998	Ziemer et al.	
D312,381 S	11/1990	Clayton	D403,571 S *	1/1999	Burns et al.	D8/317
D322,659 S	12/1991	Reid et al.	D406,745 S	3/1999	Burns et al.	
D323,726 S	2/1992	Murphy	D411,728 S	6/1999	O'Neil	
D326,219 S	5/1992	Clayton	D411,793 S	7/1999	O'Neil	
D326,990 S	6/1992	Bishop	D411,794 S	7/1999	O'Neil	
D326,991 S	6/1992	Bishop	D411,795 S	7/1999	O'Neil	
D326,992 S	6/1992	Clayton	D413,248 S	8/1999	O'Neil	
D326,993 S	6/1992	Clayton	D414,100 S	9/1999	O'Neil	
D326,994 S	6/1992	Bishop	D415,257 S	10/1999	Abel	
D326,997 S	6/1992	Clayton	D415,405 S	10/1999	O'Neil	
D327,196 S	6/1992	Crook et al.	D416,465 S	11/1999	O'Neil	
D327,407 S	6/1992	Clayton	D418,387 S	1/2000	O'Neil	
D327,420 S	6/1992	Bishop	D418,388 S	1/2000	O'Neil	
D327,530 S	6/1992	Rawald	D418,389 S	1/2000	O'Neil	
D333,697 S	3/1993	Thomas	D418,803 S	1/2000	Klimenko	
5,255,413 A	10/1993	Sabo	D429,455 S	8/2000	Burns et al.	
5,333,430 A	8/1994	Vidal	D429,991 S	8/2000	Short	
D355,834 S	2/1995	Chieda	D431,442 S	10/2000	Short	
D355,835 S	2/1995	Chieda	D431,444 S	10/2000	Short	
D355,837 S	2/1995	Chieda	D431,445 S	10/2000	Short	
D355,838 S	2/1995	Chieda	D431,996 S	10/2000	Short	
D355,839 S	2/1995	Chieda	D434,633 S	12/2000	Short	
D356,724 S	3/1995	Chieda	D434,962 S	12/2000	Short	
D357,168 S	4/1995	Chieda	D434,963 S	12/2000	Short	
D361,491 S	8/1995	Chieda	D435,424 S	12/2000	Short	
D361,492 S	8/1995	Chieda	D435,426 S	12/2000	Short	
D361,493 S	8/1995	Chieda	D437,202 S	2/2001	O'Neil	
D361,496 S	8/1995	Chieda	D442,462 S	5/2001	Dewald et al.	
D361,498 S	8/1995	Chieda	D506,378 S	6/2005	Coudurier	
D361,707 S	8/1995	Chieda	D526,883 S	8/2006	Gilbert	
D366,998 S	2/1996	Hollingsworth	D541,131 S	4/2007	Ricereto et al.	
D367,217 S	2/1996	Hollingsworth-Ainscough	D541,619 S	5/2007	Ricereto	
D367,417 S	2/1996	Ainscough	D542,116 S	5/2007	Ricereto et al.	
D368,014 S	3/1996	Ainscough	D542,119 S	5/2007	Ricereto	
D368,638 S	4/1996	Sonnenleiter	D542,622 S	5/2007	Ricereto	
D368,639 S	4/1996	Chieda	D542,623 S	5/2007	Ricereto	
D368,640 S	4/1996	Sonnenleiter	D543,088 S	5/2007	Ricereto	
D368,642 S	4/1996	Chieda	D543,436 S	5/2007	Ricereto	
D368,643 S	4/1996	Sonnenleiter	D545,665 S	7/2007	Ricereto et al.	
D368,644 S	4/1996	Bishop	D551,056 S *	9/2007	Ricereto	D8/317

* cited by examiner

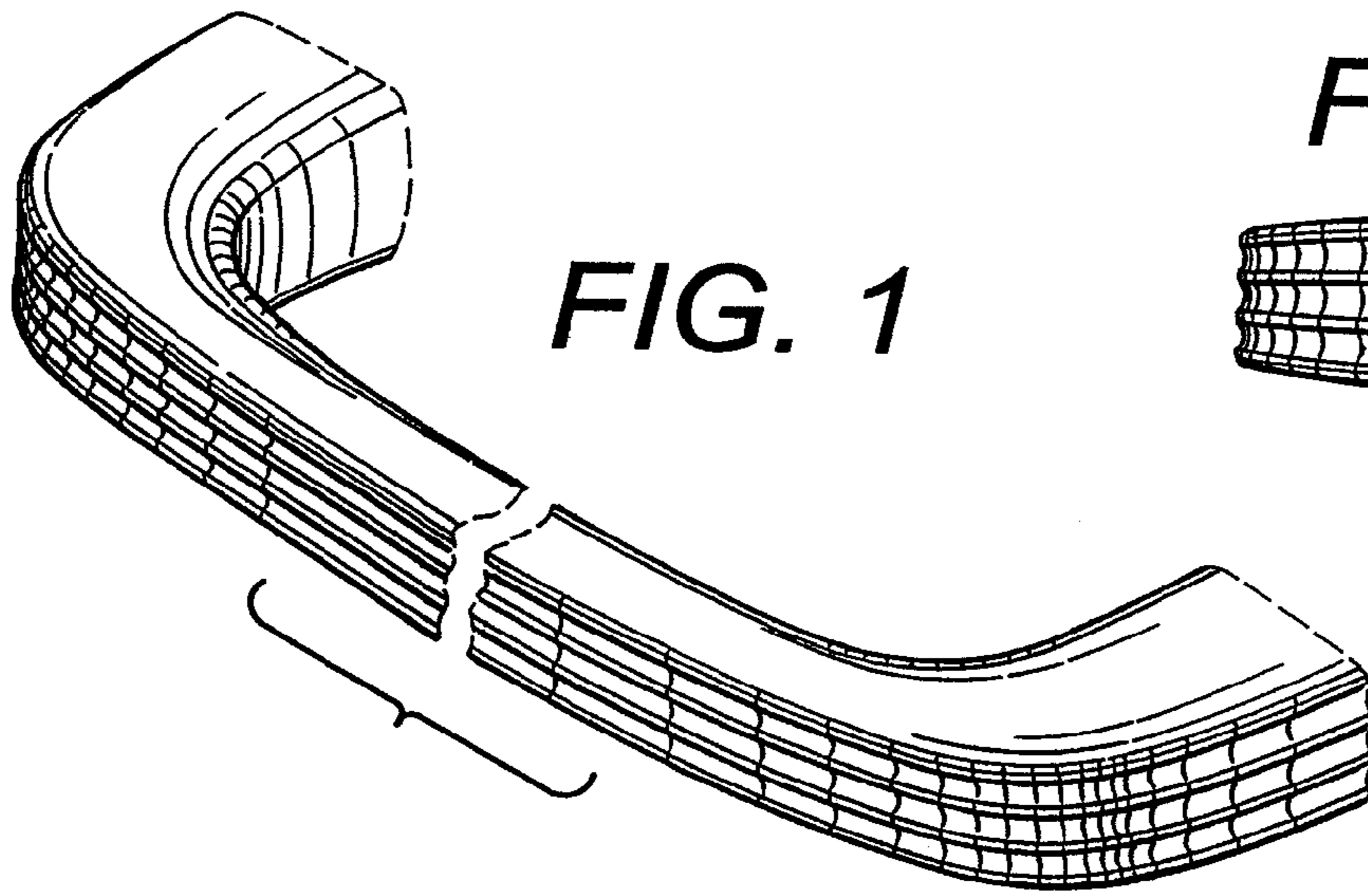


FIG. 1

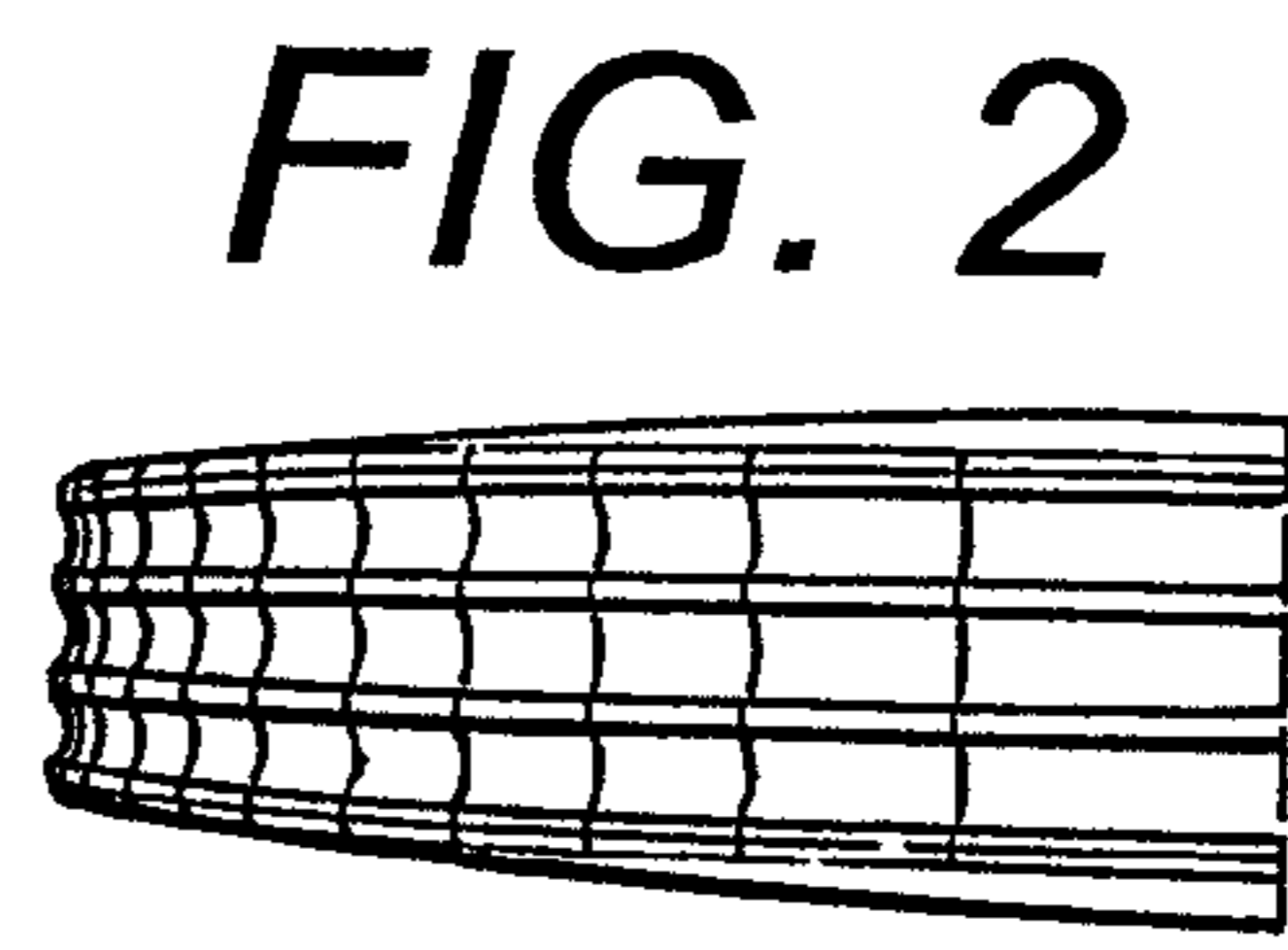


FIG. 2

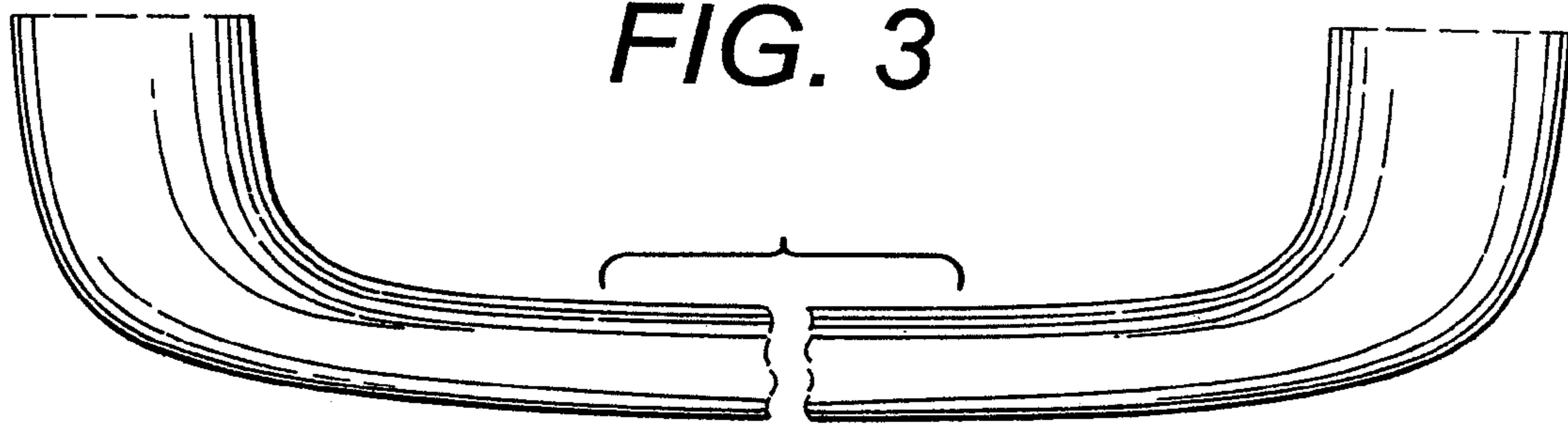


FIG. 3

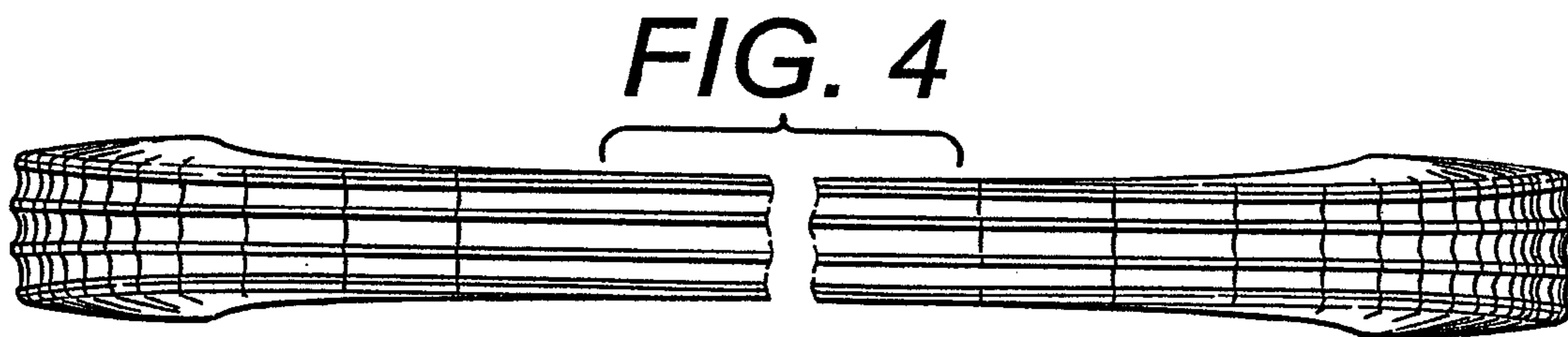


FIG. 4

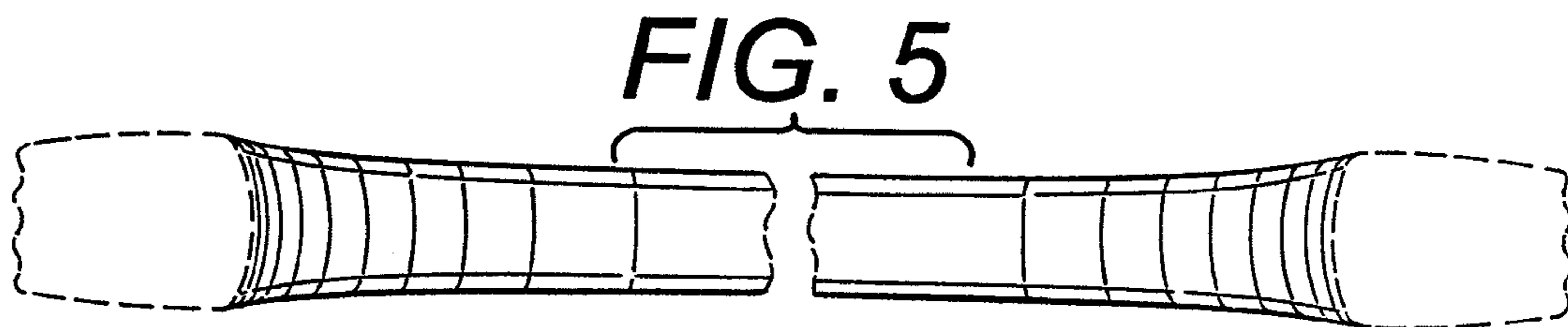


FIG. 5