



US00D571182S

(12) **United States Design Patent**  
**Whitehead**

(10) **Patent No.:** **US D571,182 S**  
(45) **Date of Patent:** **\*\* Jun. 17, 2008**

(54) **TOOL HOLDER**

6,584,693 B2 7/2003 DeBolt

(76) **Inventor:** **Edward O. Whitehead**, 7760 N. Gulley,  
Dearborn Heights, MI (US) 48127

\* cited by examiner

(\*\*) **Term:** **14 Years**

*Primary Examiner*—Cathron Brooks

*Assistant Examiner*—Barbara Fox

(21) **Appl. No.:** **29/280,482**

(74) *Attorney, Agent, or Firm*—Robert K. Roth; Miller,  
Canfield, Paddock and Stone P.L.C.

(22) **Filed:** **May 30, 2007**

(57) **CLAIM**

(51) **LOC (8) Cl.** ..... **08-05**

The ornamental design for a tool holder, as shown and described.

(52) **U.S. Cl.** ..... **D8/107**

(58) **Field of Classification Search** ..... D8/14,  
D8/25, 60, 71, 82–87, 98, 99, 105, 107; D19/83–85;  
81/177.1, 436, 437, 439, 440, 438, 63, 63.1;  
16/11 R, 111 R, 422; D15/127  
See application file for complete search history.

**DESCRIPTION**

FIG. 1 is a perspective view of a tool holder in accordance with a preferred embodiment.

FIG. 2 is a top side view of the tool holder of FIG. 1.

FIG. 3 is a front side view of the tool holder of FIG. 1.

FIG. 4 is a right side view of the tool holder of FIG. 1.

FIG. 5 is a rear side view of the tool holder of FIG. 1.

FIG. 6 is a bottom side view of the tool holder of FIG. 1.

FIG. 7 is a perspective view of a tool holder in accordance with another preferred embodiment.

FIG. 8 is a top side view of the tool holder of FIG. 7.

FIG. 9 is a front side view of the tool holder of FIG. 7.

FIG. 10 is a right side view of the tool holder of FIG. 7.

FIG. 11 is a rear side view of the tool holder of FIG. 7; and,

FIG. 12 is a bottom side view of the tool holder of FIG. 7.

In the drawings, the broken line showing of the tool depicts environmental subject matter and forms no part of the claimed design.

(56) **References Cited**

U.S. PATENT DOCUMENTS

1,980,087	A	11/1934	Rast	
D196,503	S *	10/1963	Leafe	D8/99
4,226,457	A	10/1980	Shutt	
4,488,470	A	12/1984	Larrain	
4,599,920	A	7/1986	Schmid	
4,613,156	A	9/1986	Lajos	
4,672,745	A	6/1987	Wilkens	
4,995,818	A	2/1991	Saimoto	
5,495,670	A *	3/1996	Quinn	30/162
D374,597	S *	10/1996	Birkholz et al.	D8/99
5,785,443	A	7/1998	Rubin	
D399,721	S *	10/1998	Torre	D8/99
5,967,006	A	10/1999	Hillinger	
D445,659	S *	7/2001	Wass	D8/98
6,328,494	B1	12/2001	Moxon	
D472,786	S *	4/2003	Cech et al.	D8/97
D474,390	S *	5/2003	Wass	D8/98

**1 Claim, 2 Drawing Sheets**

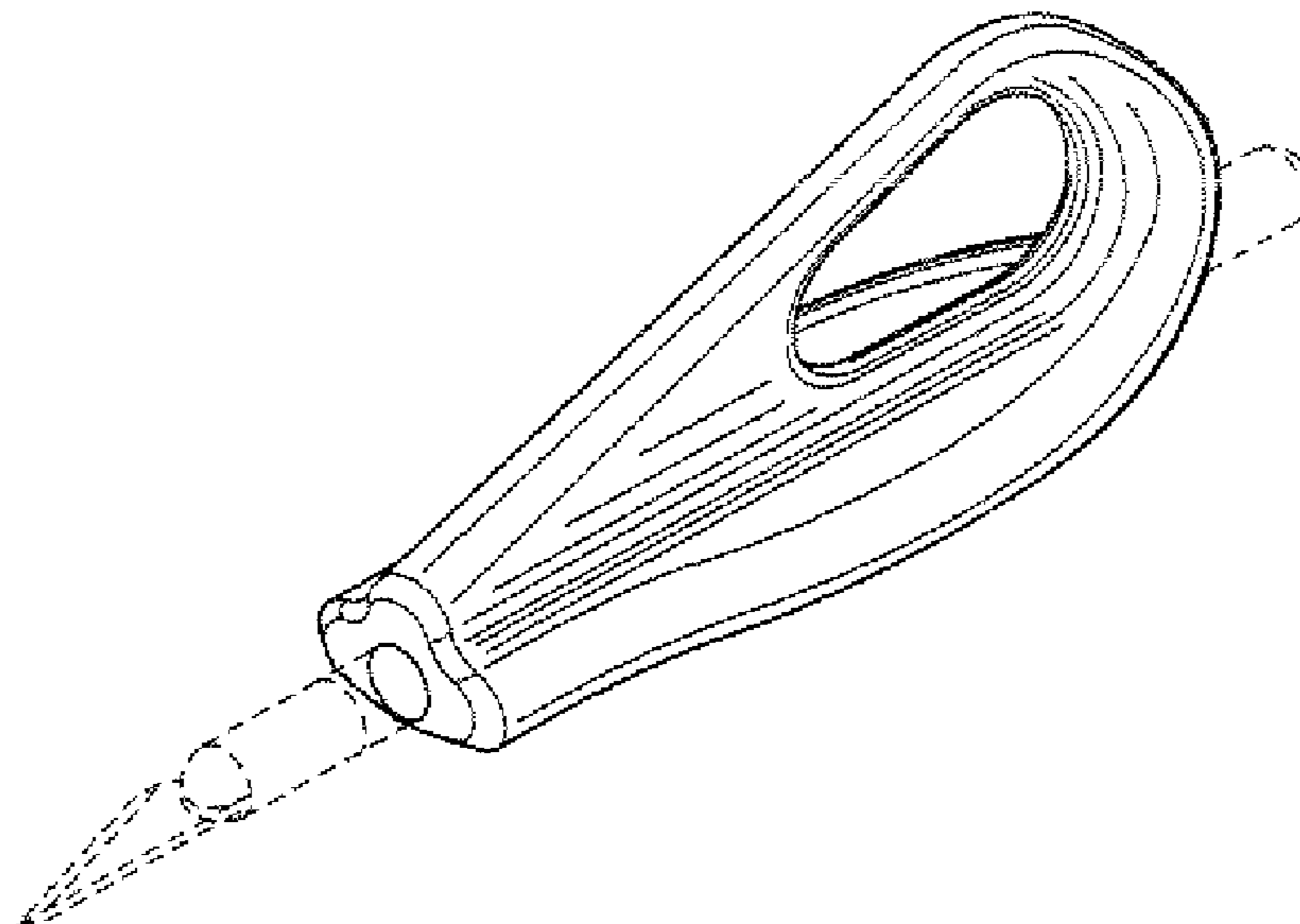


FIG. 1

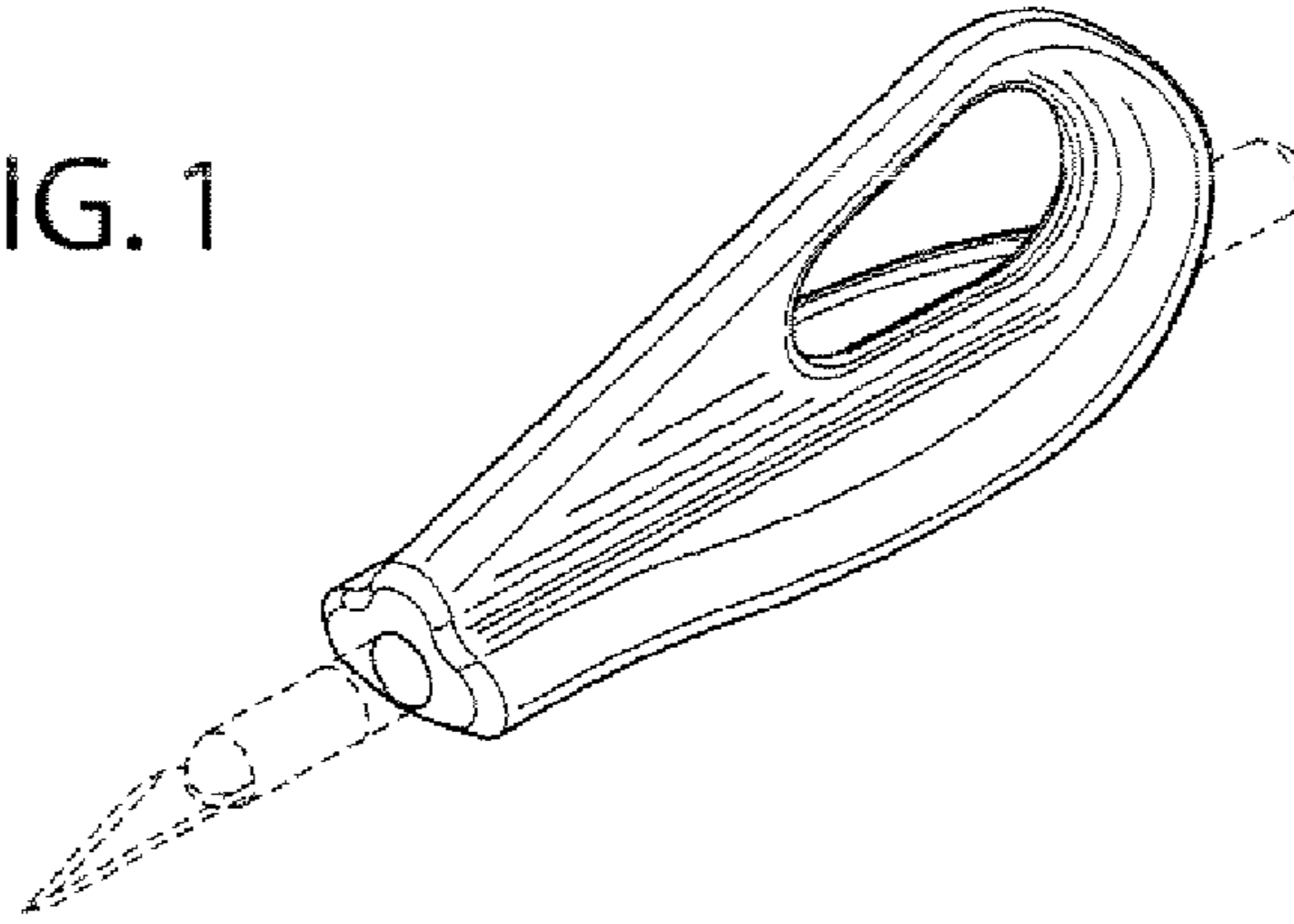


FIG. 2

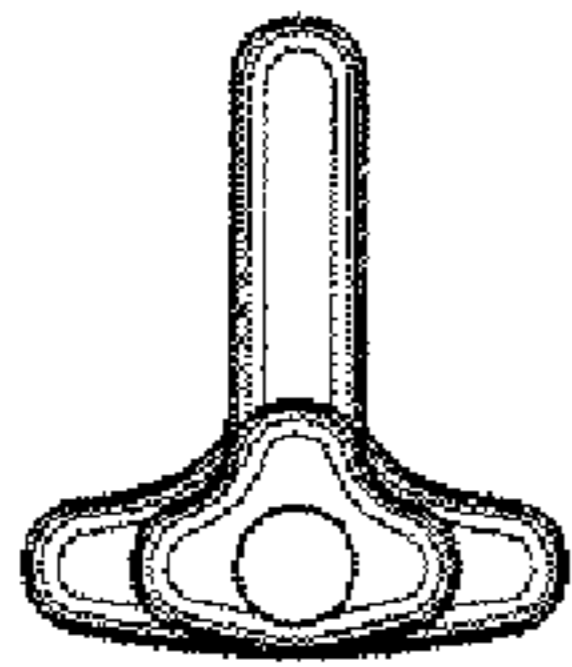


FIG. 3

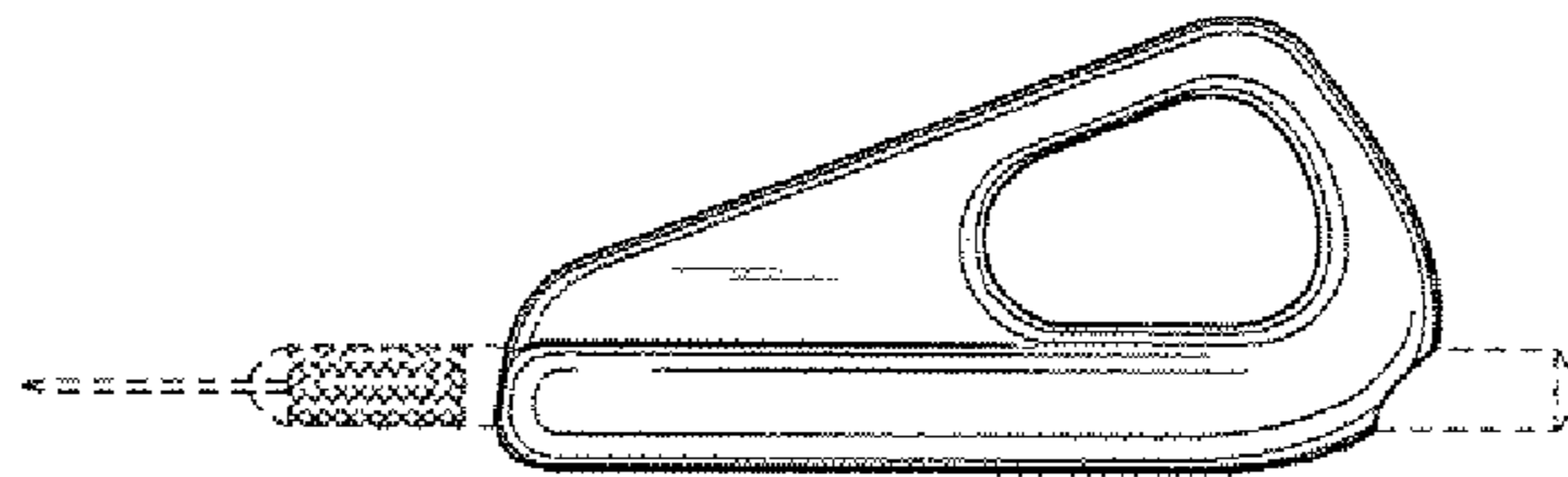


FIG. 4

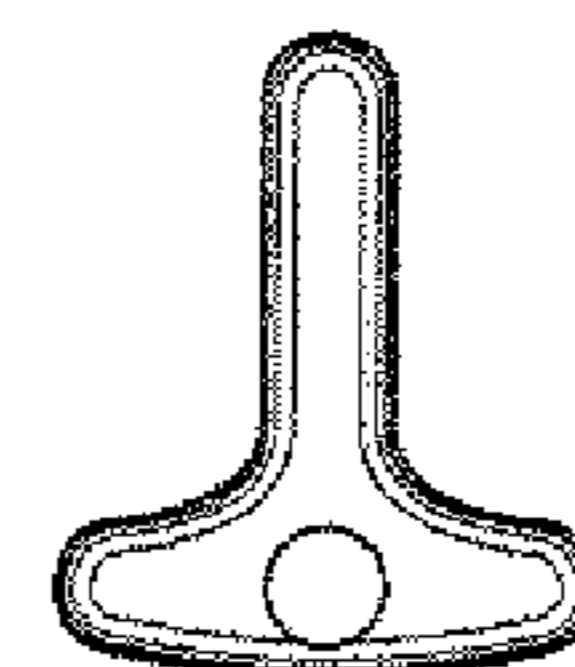


FIG. 5



FIG. 6

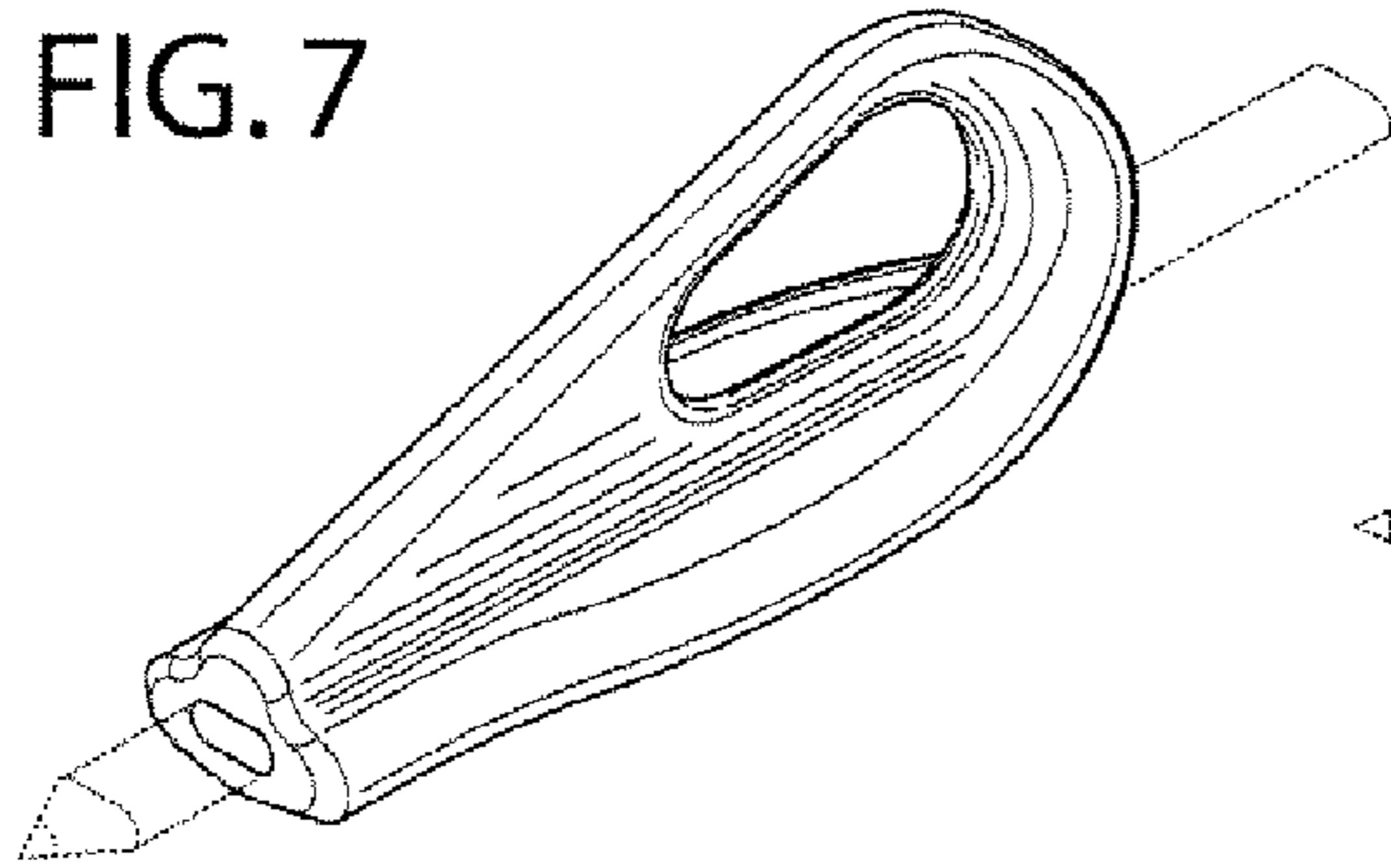


FIG. 8

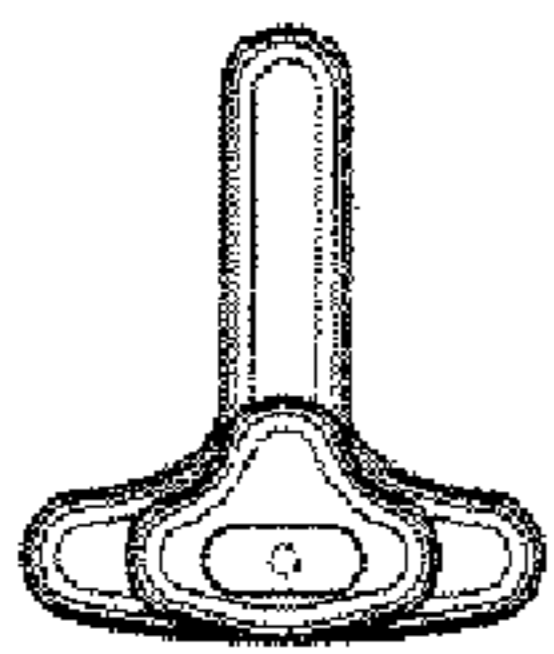


FIG. 9

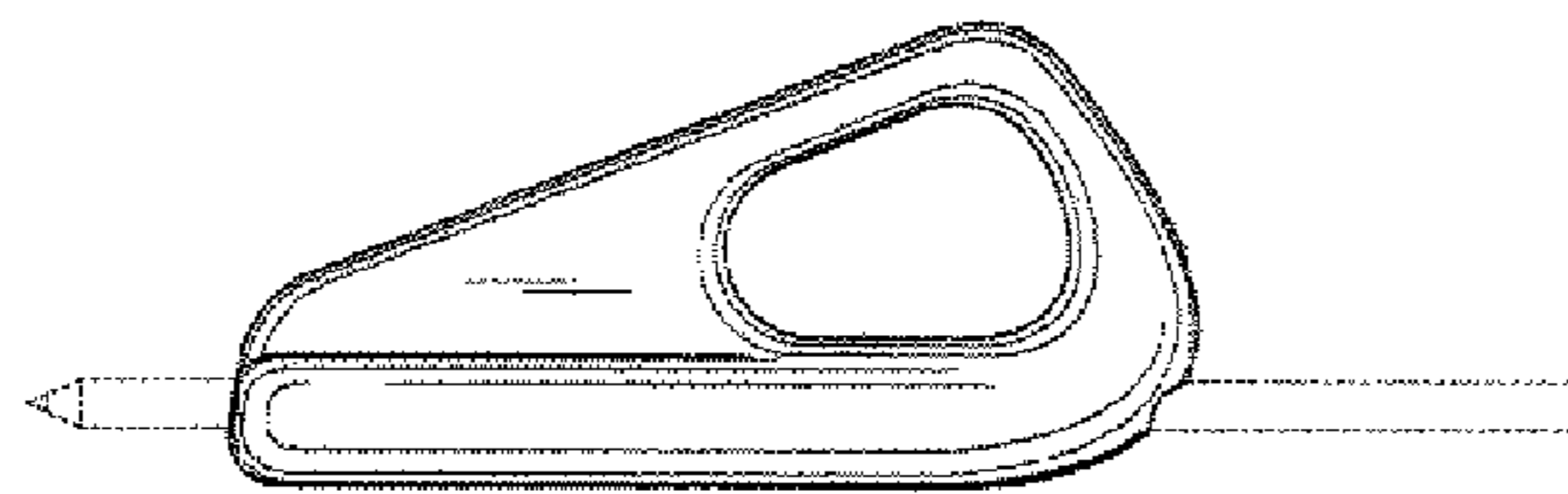


FIG. 10

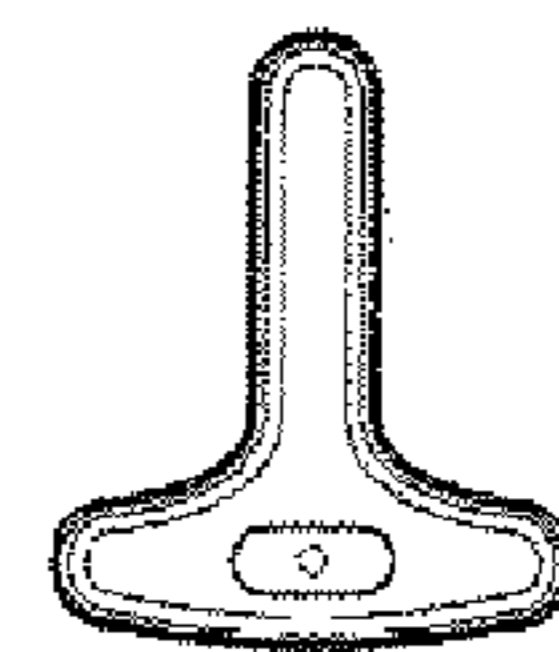


FIG. 11



FIG. 12