



US00D571179S

(12) **United States Design Patent**
Ahlgren

(10) **Patent No.:** **US D571,179 S**

(45) **Date of Patent:** **** Jun. 17, 2008**

(54) **CLAMP**

(75) Inventor: **Lars Olov Ahlgren**, Fellingsbro (SE)

(73) Assignee: **CTEK Sweden AB**, Vikmanshyttan (SE)

(**) Term: **14 Years**

(21) Appl. No.: **29/267,148**

(22) Filed: **Oct. 6, 2006**

(30) **Foreign Application Priority Data**

Apr. 7, 2006 (EM) 000509617

(51) **LOC (8) Cl.** **08-05**

(52) **U.S. Cl.** **D8/72; D8/395**

(58) **Field of Classification Search** D8/71-74,
D8/394, 106, 51, 52, 54, 395; 81/302, 427;
D13/120; D6/326, 328; 24/500, 508, 509;
269/237, 218; 439/504

See application file for complete search history.

(56) **References Cited**

U.S. PATENT DOCUMENTS

2,667,678	A *	2/1954	Hargrave et al.	24/508
D258,818	S *	4/1981	Johnson et al.	D13/120
D302,654	S *	8/1989	Cetrone	D8/395
D304,928	S *	12/1989	Mize	D13/120
4,929,199	A *	5/1990	McKinnon	439/504
D317,116	S *	5/1991	Nimtz	D8/395

D322,390	S *	12/1991	Nimtz et al.	D8/395
D350,892	S *	9/1994	Sorensen	D8/395
D399,729	S *	10/1998	Chen	D8/395
D433,318	S *	11/2000	Chang	D8/395
D442,047	S *	5/2001	Hicks	D8/72
D457,409	S *	5/2002	Noniewicz	D8/72
6,871,387	B2 *	3/2005	Cheng et al.	24/508

* cited by examiner

Primary Examiner—Louis S Zarfaz

Assistant Examiner—David G Muller

(74) *Attorney, Agent, or Firm*—Young & Thompson

(57) **CLAIM**

The ornamental design for a clamp, as shown and described.

DESCRIPTION

FIG. 1 is a perspective view of a clamp showing my new design;

FIG. 2 is a side elevational view thereof, shown at a smaller scale;

FIG. 3 is an elevational view thereof from the left of FIG. 2;

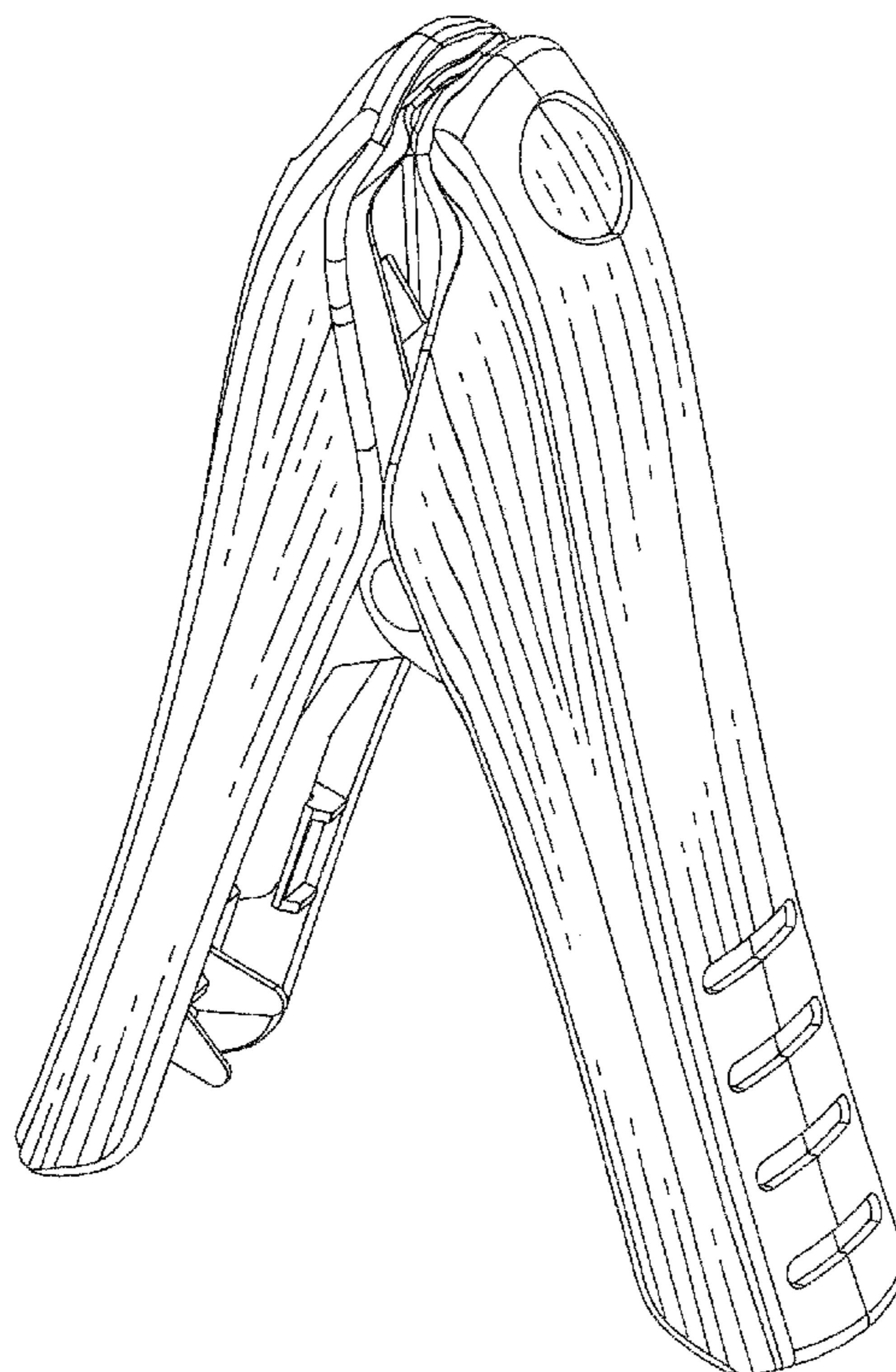
FIG. 4 is an elevational view thereof from the right of FIG. 2;

FIG. 5 is a view thereof from the side opposite that shown in FIG. 2, shown at a larger scale;

FIG. 6 is a top plan view thereof; and,

FIG. 7 is a bottom plan view thereof.

1 Claim, 7 Drawing Sheets



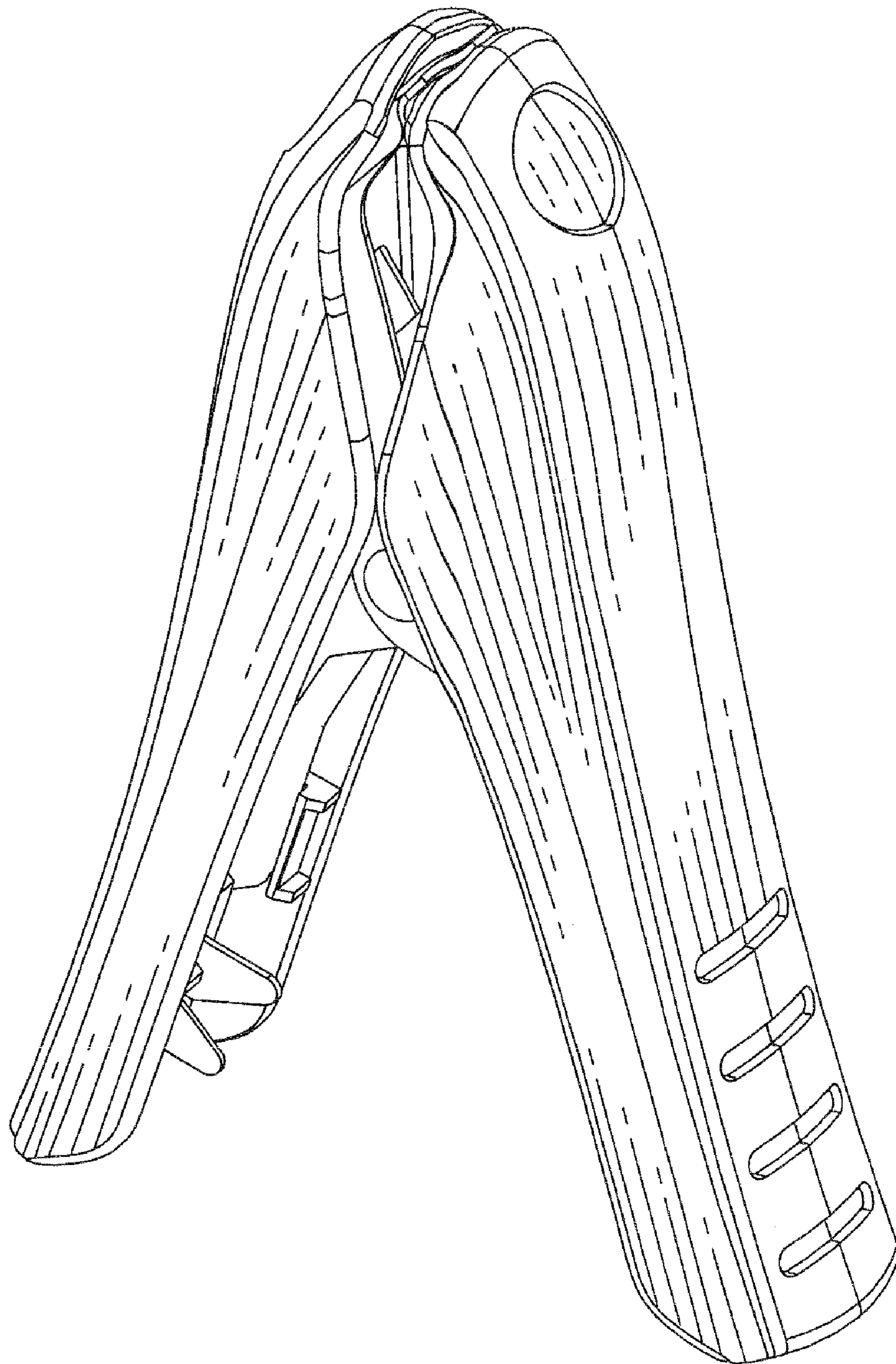


FIG. 1

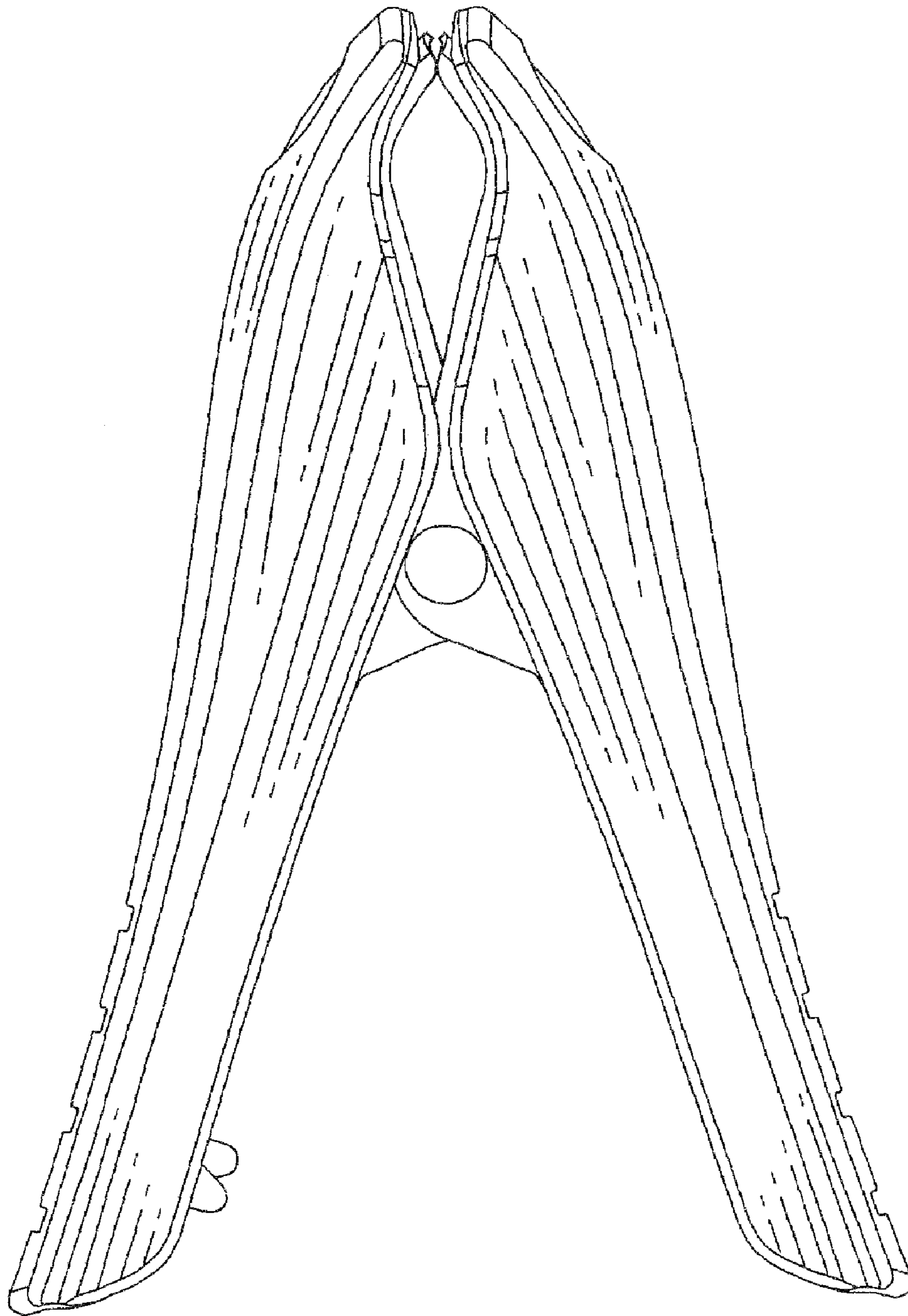


FIG. 2

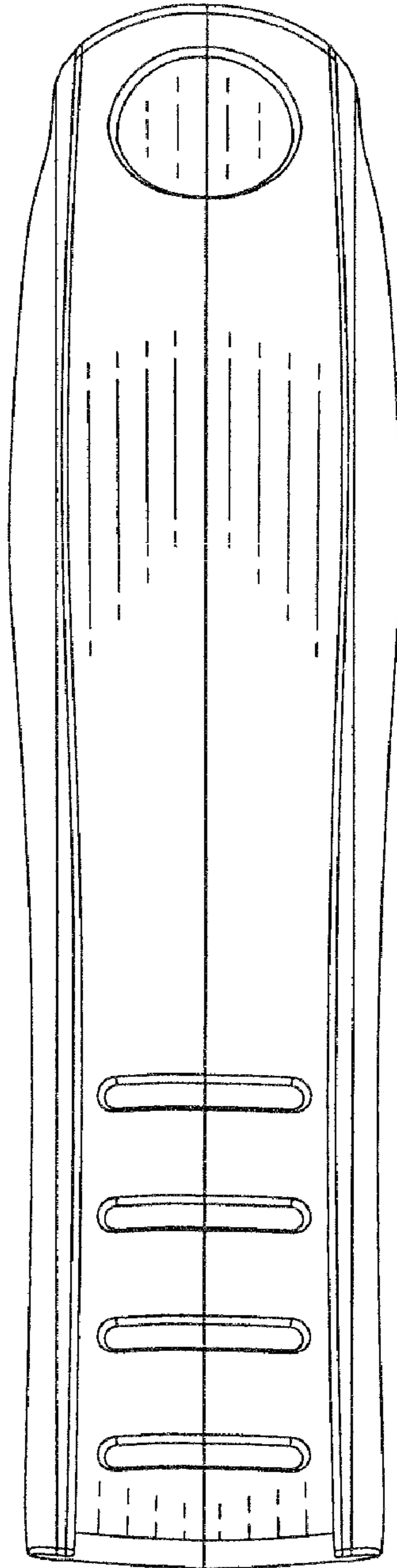


FIG. 3

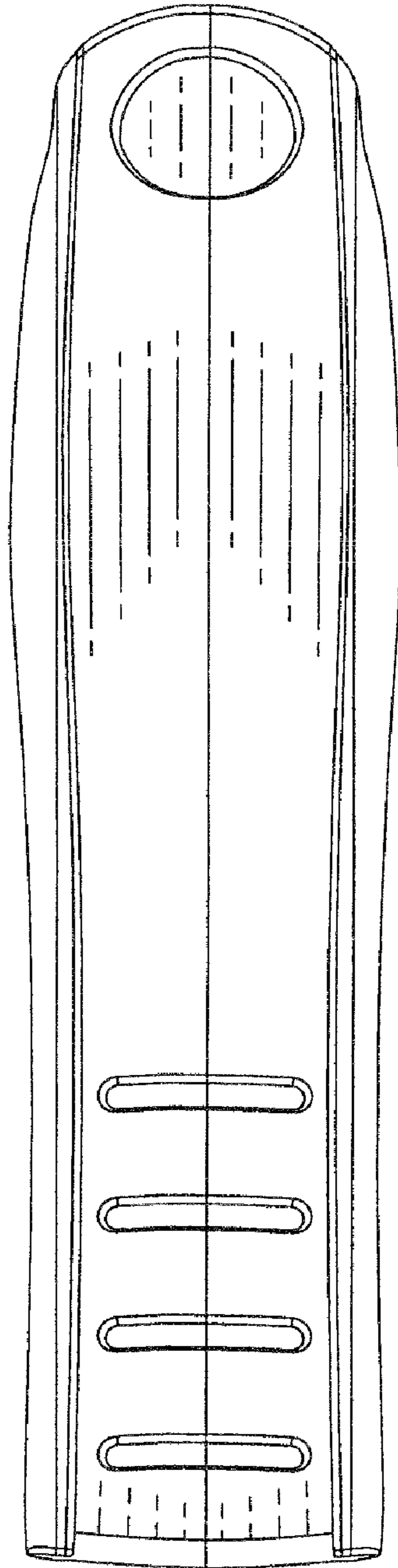


FIG. 4

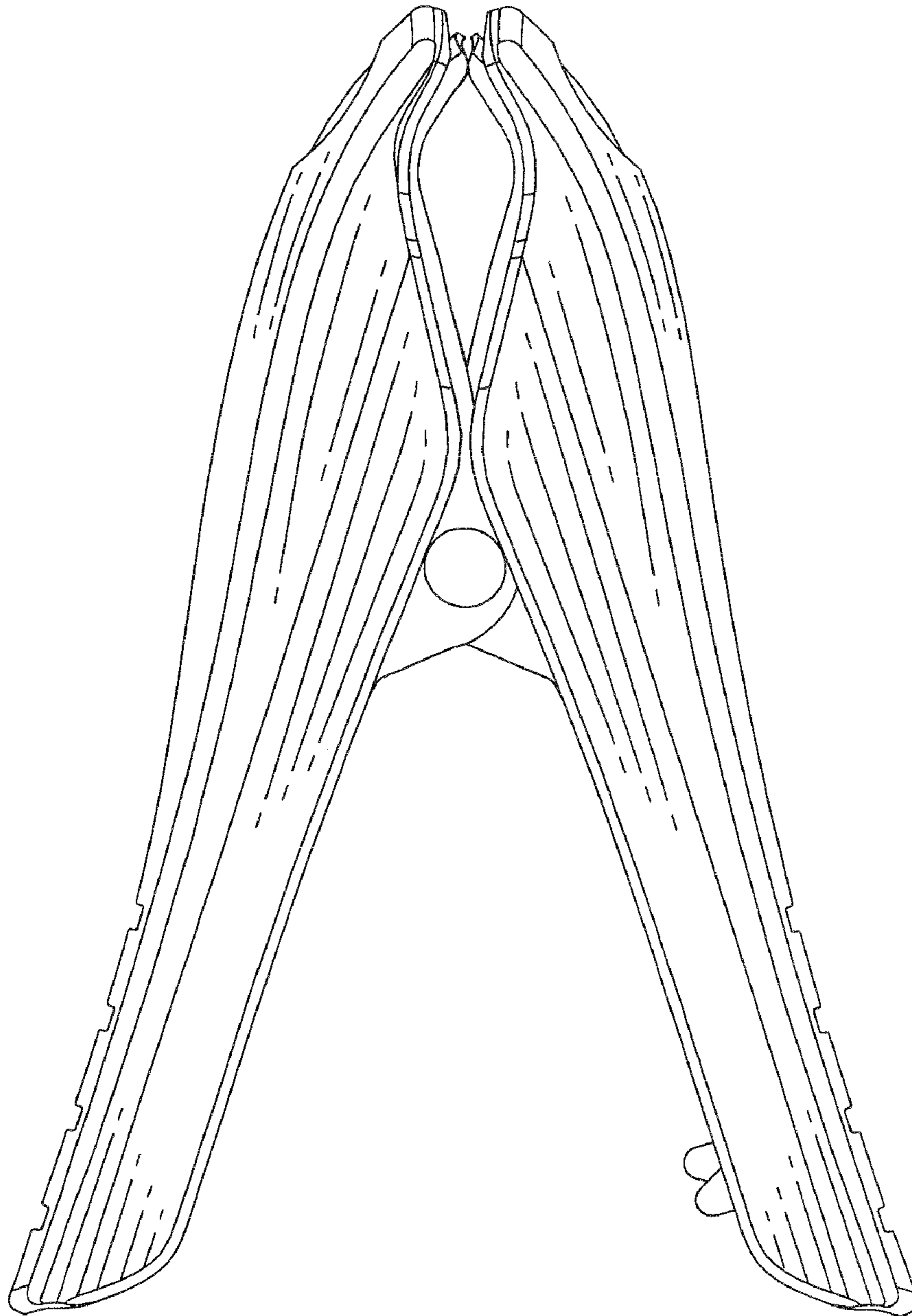


FIG. 5

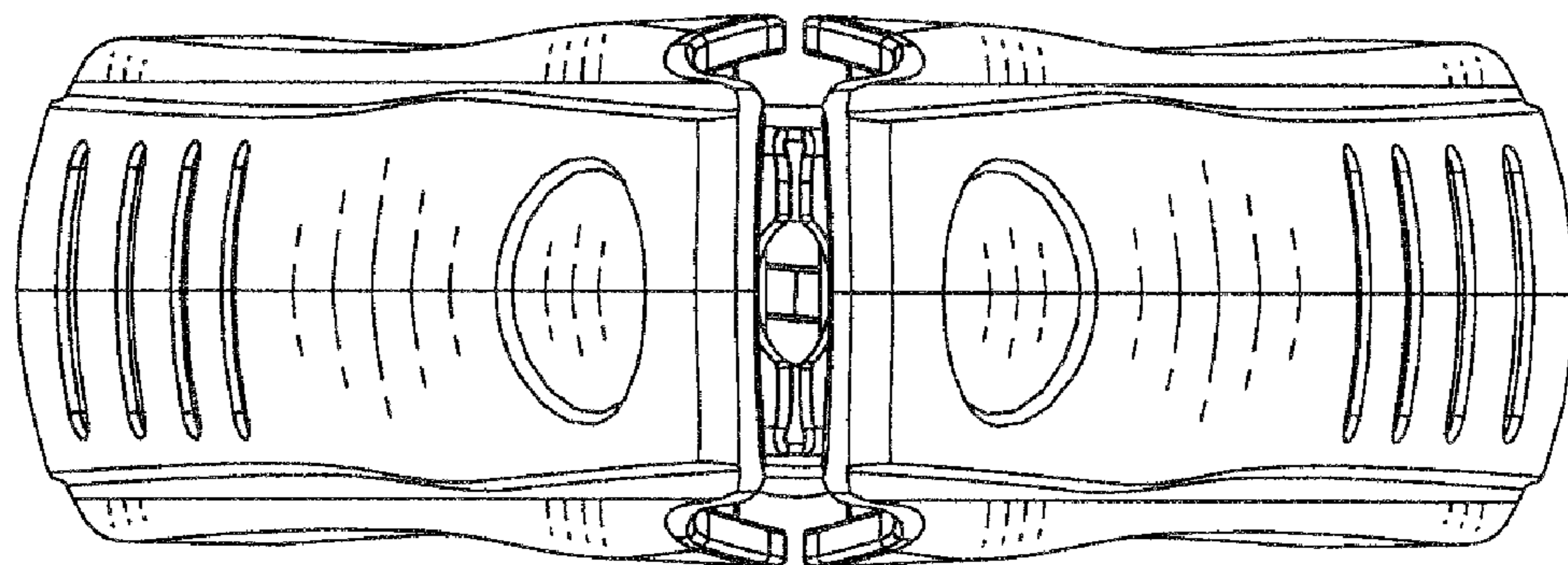


FIG. 6

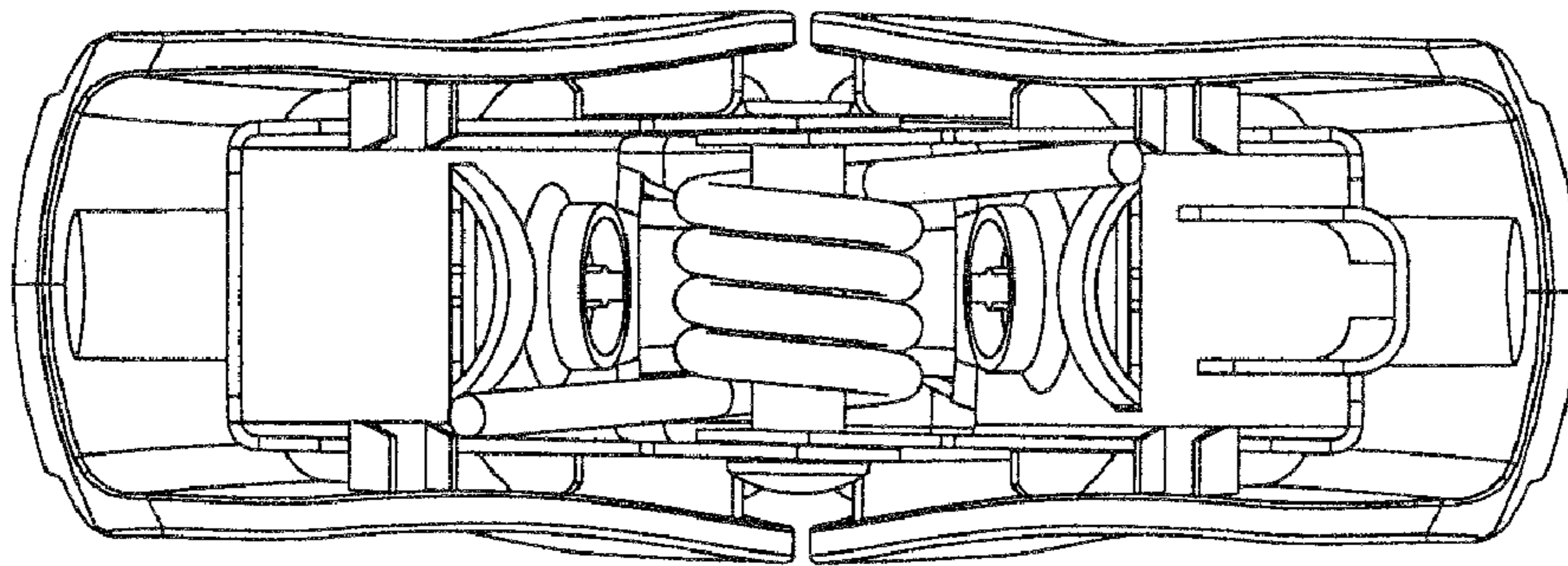


FIG. 7