



US00D571178S

(12) **United States Design Patent**
Halstead

(10) **Patent No.:** **US D571,178 S**
(45) **Date of Patent:** **** Jun. 17, 2008**

(54) **AIR DIRECTING DEVICE FOR A POWER SAW**

6,557,261 B1 * 5/2003 Buser et al. 30/124
6,648,742 B1 * 11/2003 Segiel Jr. 451/456
D550,053 S * 9/2007 Halstead D8/70

(76) Inventor: **David Halstead**, 5273 Alpine Meadows St., Alta Loma, CA (US) 91737

* cited by examiner

(**) Term: **14 Years**

Primary Examiner—Sandra Snapp
Assistant Examiner—Patricia Palasik
(74) *Attorney, Agent, or Firm*—Eric Korich

(21) Appl. No.: **29/288,483**

(22) Filed: **Jun. 13, 2007**

(57) **CLAIM**

(51) **LOC (8) Cl.** **08-05**

The ornamental design for an air directing device for a power saw, as shown and described.

(52) **U.S. Cl.** **D8/70; D15/138**

(58) **Field of Classification Search** D8/61-70;
D15/133, 138, 139, 140; 30/123, 124, 166.3,
30/388-391, 475; 83/13; 144/35.1; 173/75;
408/67, 241 S; 451/164, 344, 351, 353,
451/356, 357, 359, 442, 453, 456
See application file for complete search history.

DESCRIPTION

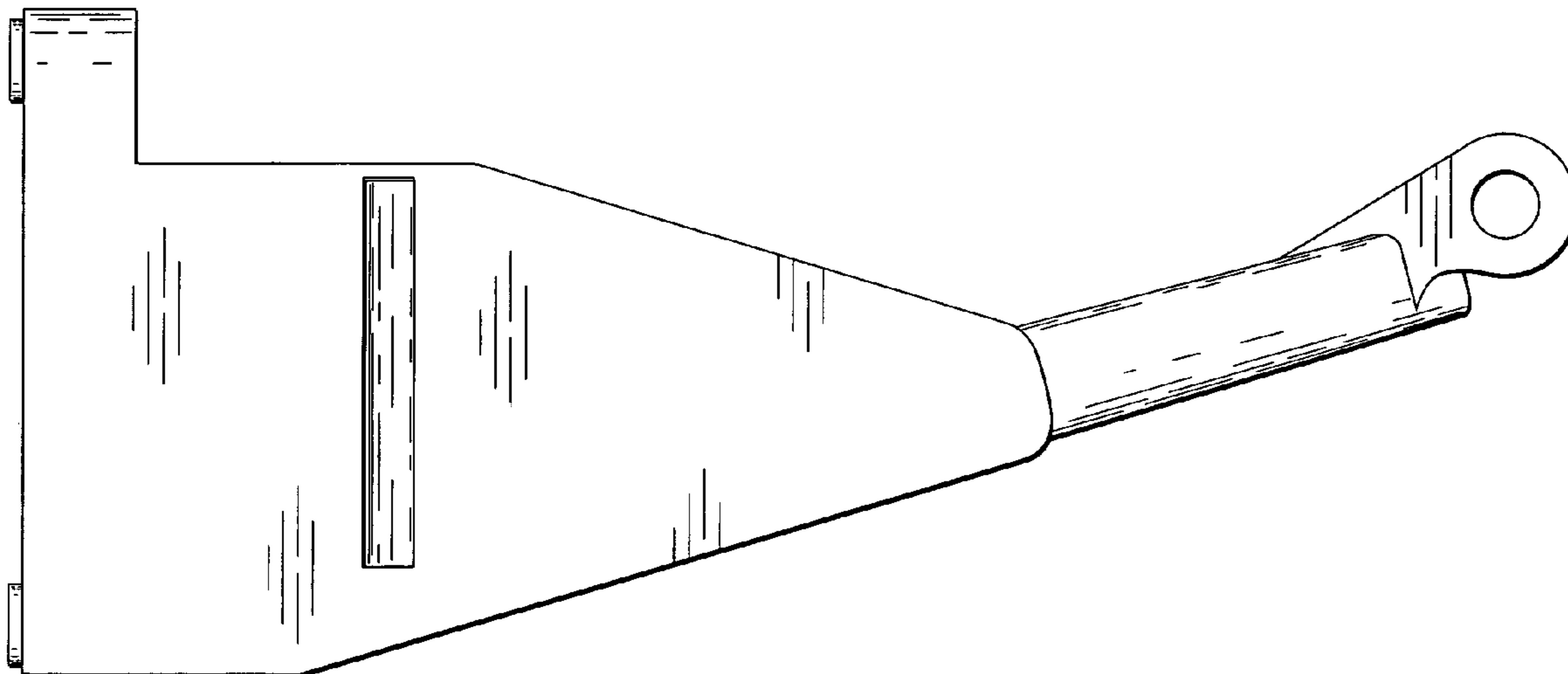
FIG. 1 is a perspective view of a showing my new design;
FIG. 2 is a front elevational view thereof;
FIG. 3 is a rear elevational view thereof;
FIG. 4 is a left side elevational view thereof
FIG. 5 is a right side elevational view thereof;
FIG. 6 is a top plan view thereof; and,
FIG. 7 is a bottom plan view thereof.

(56) **References Cited**

U.S. PATENT DOCUMENTS

D292,407 S * 10/1987 Legler et al. D15/133
5,588,213 A * 12/1996 Swanberg 30/124
5,931,072 A * 8/1999 Shibata 451/456
6,318,352 B1 * 11/2001 Gnazzo et al. 30/388

1 Claim, 5 Drawing Sheets



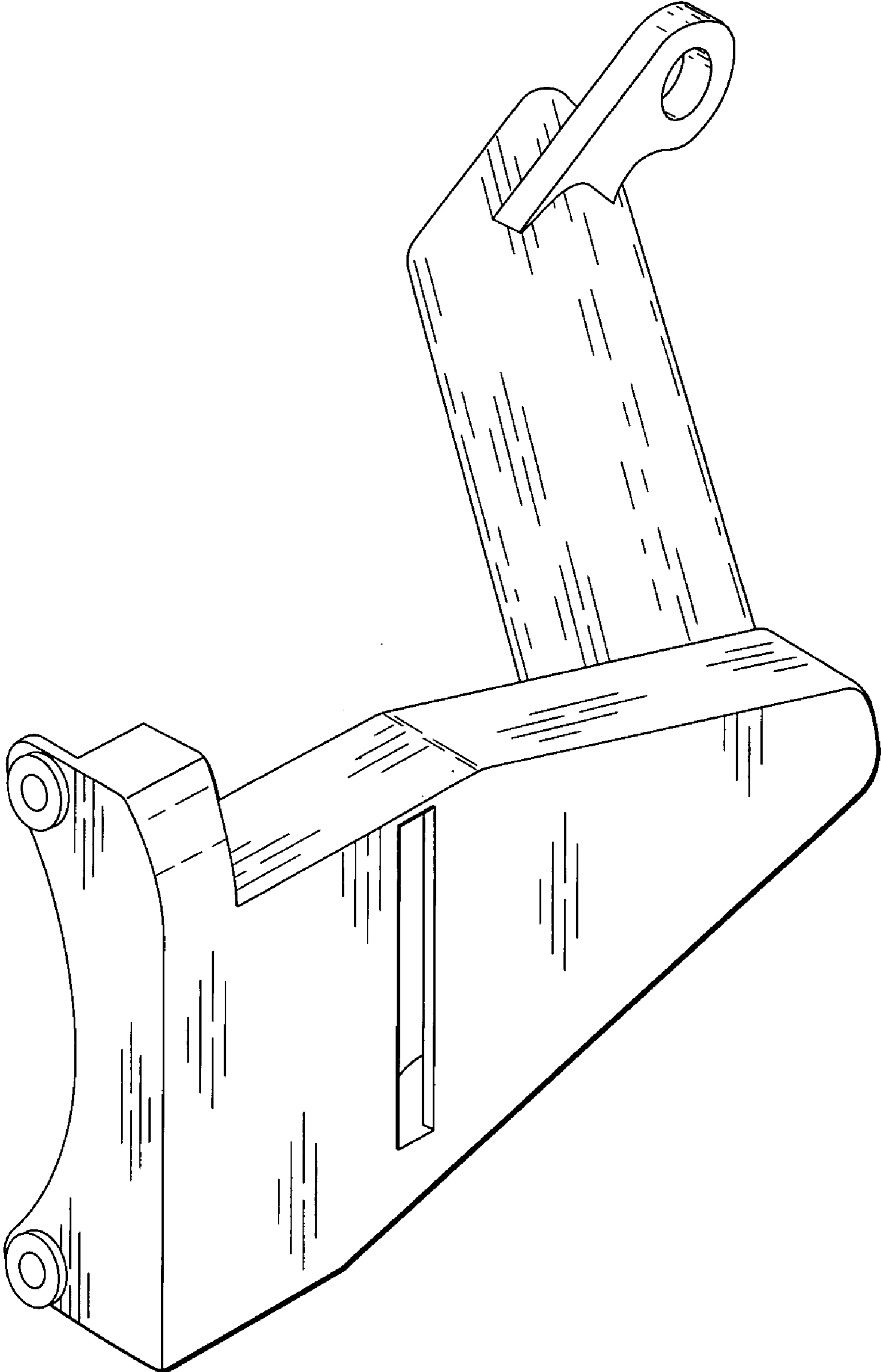


Fig. 1

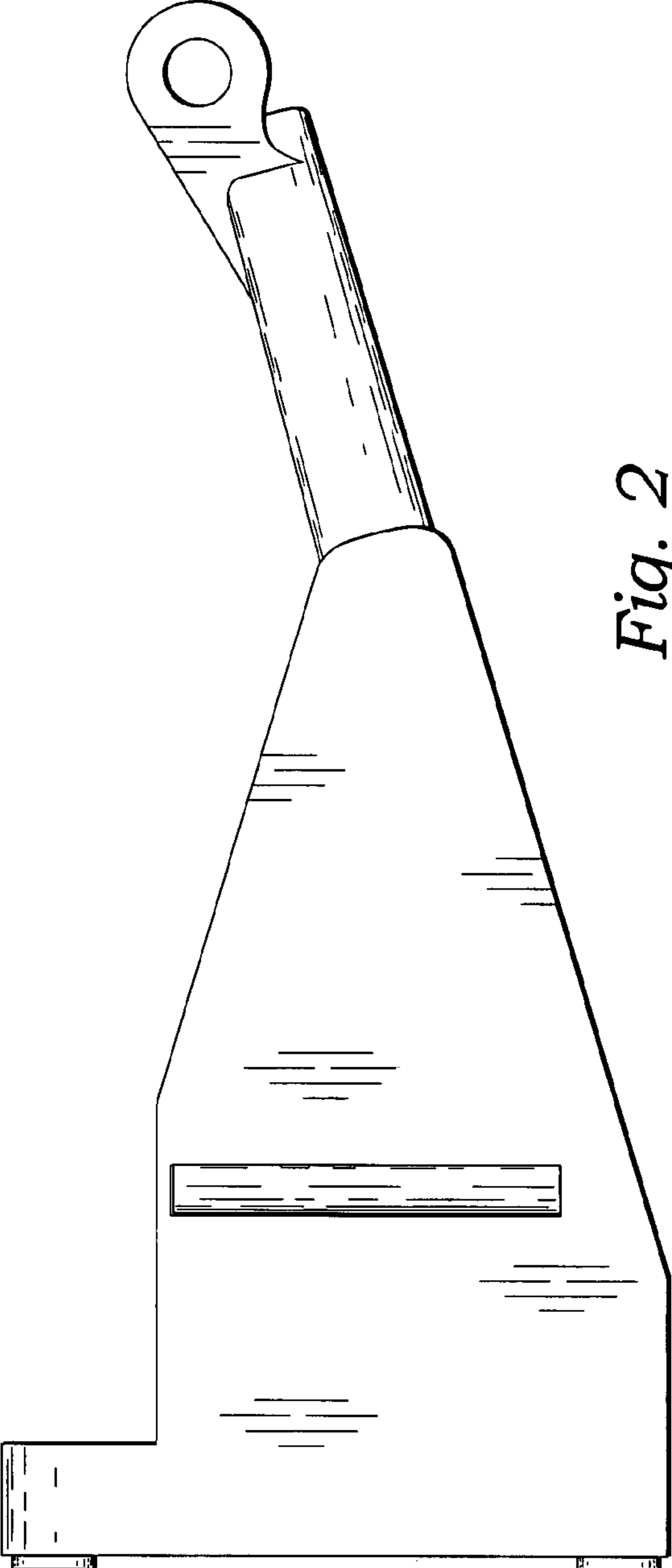


Fig. 2

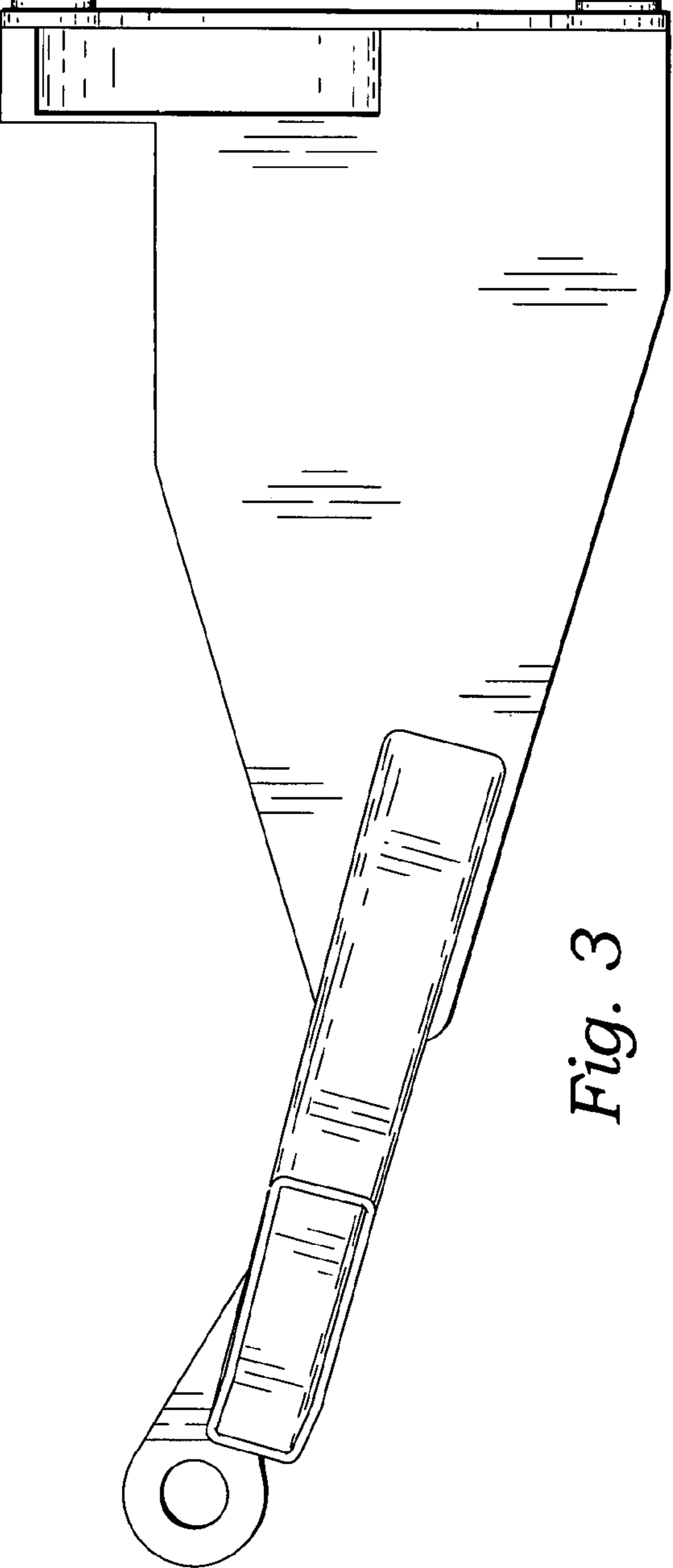


Fig. 3

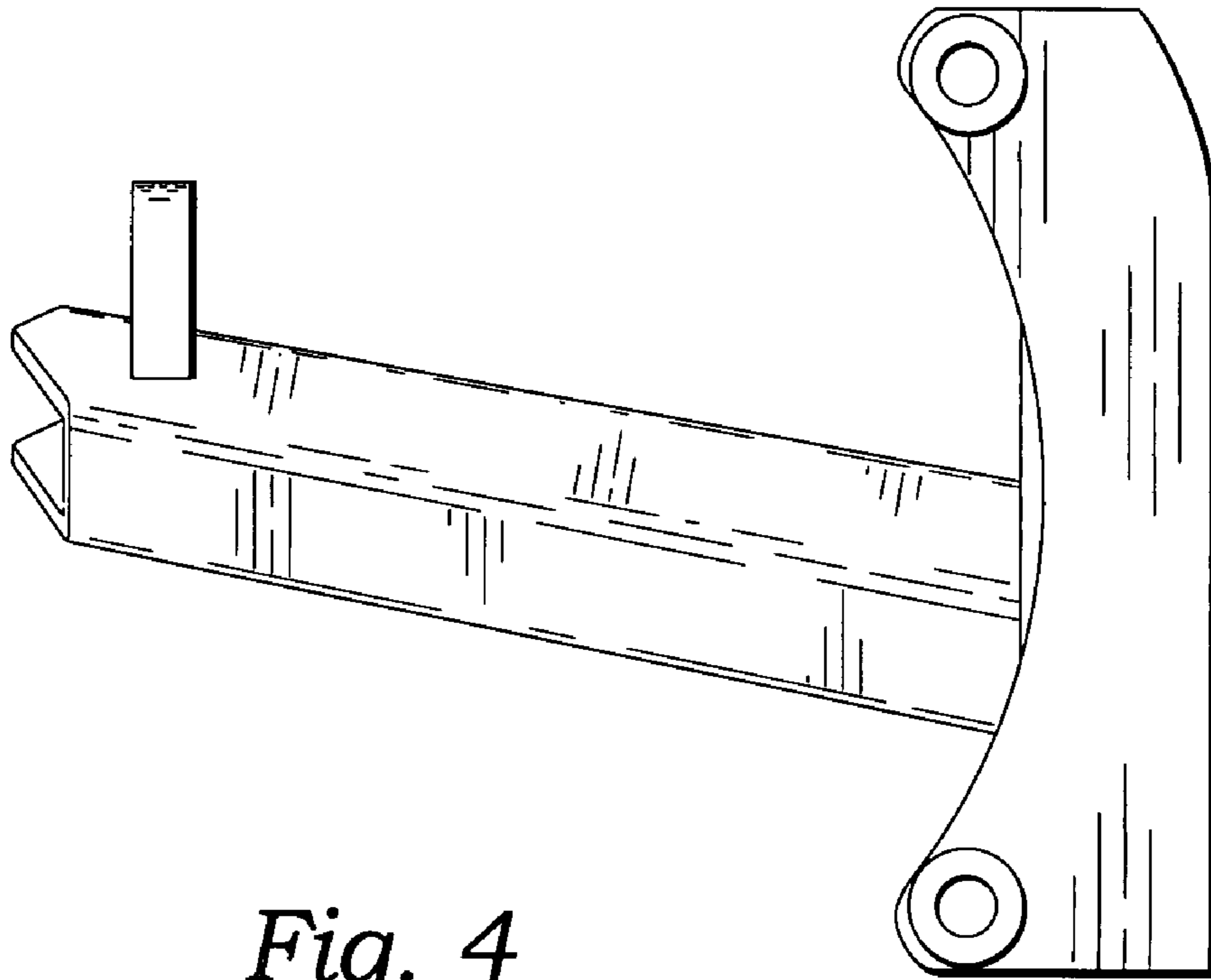


Fig. 4

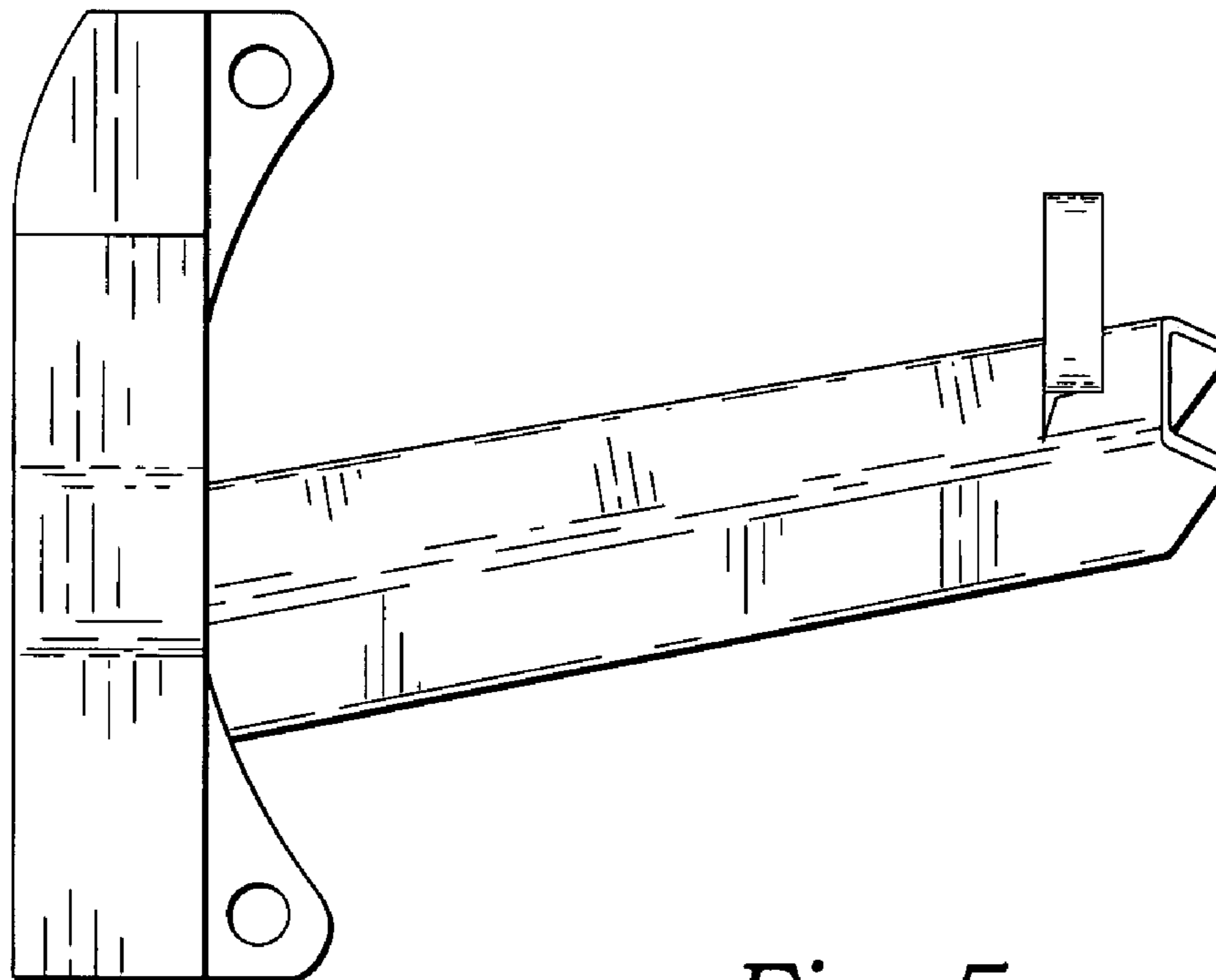


Fig. 5

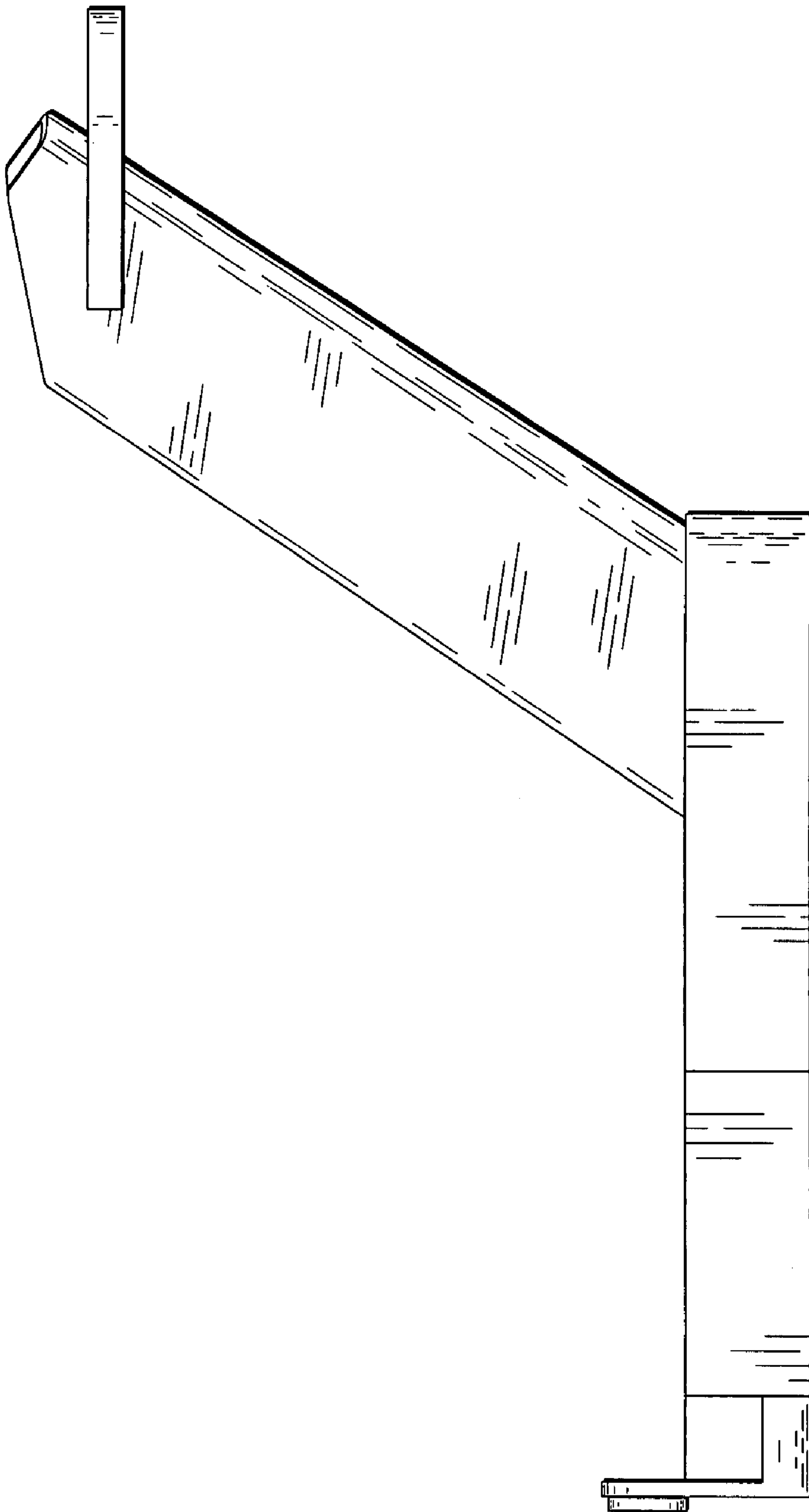


Fig. 6

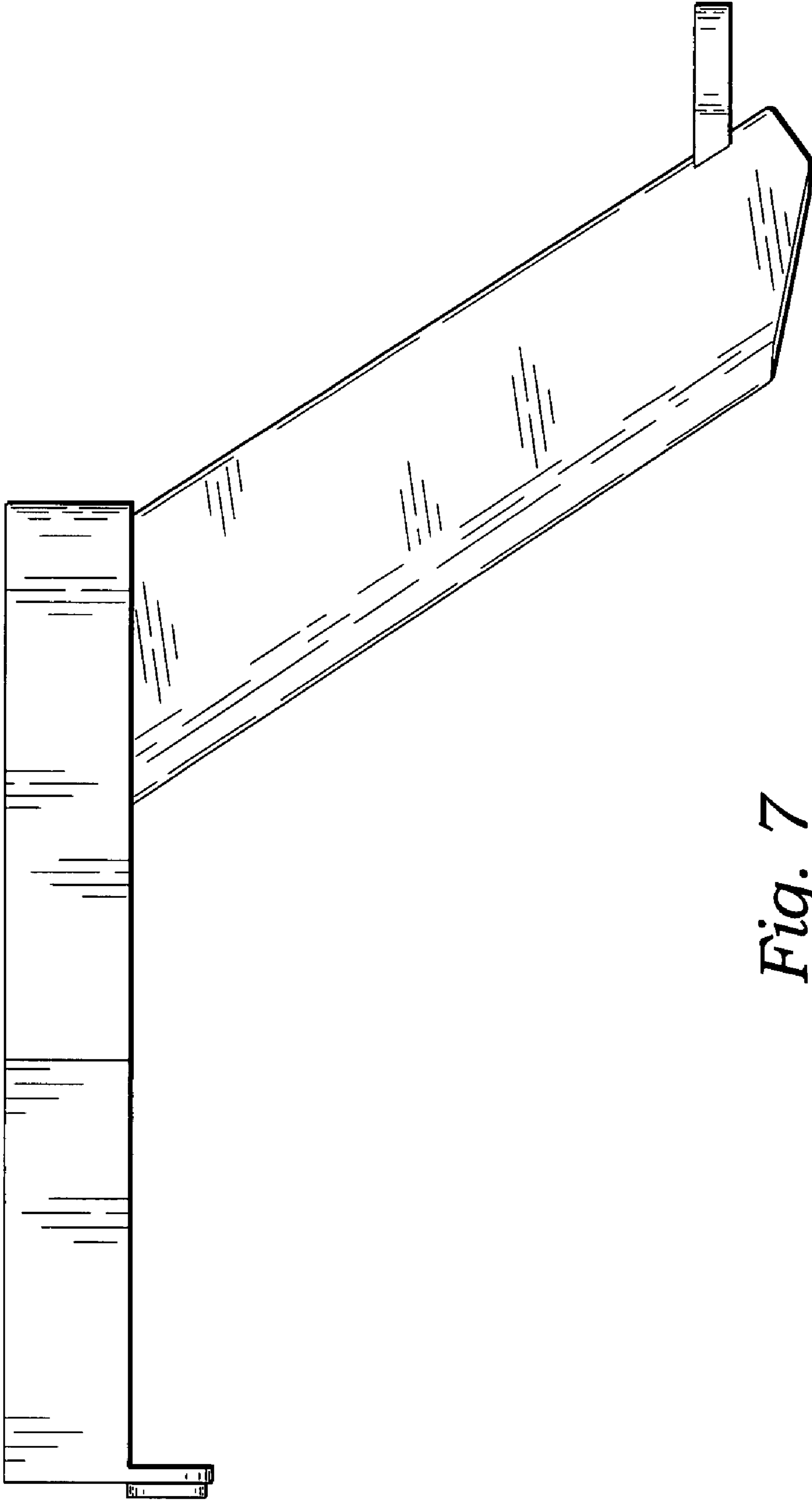


Fig. 7