



US00D571177S

(12) **United States Design Patent**  
**Price et al.**

(10) **Patent No.:** **US D571,177 S**  
(45) **Date of Patent:** **\*\* Jun. 17, 2008**

(54) **TOOL GRIP WITH PATTERN**  
(75) Inventors: **Scott David Price**, Lebanon, NJ (US);  
**Nheeda Enriquez**, Jersey City, NJ (US)  
(73) Assignee: **Ingersoll-Rand Company**, Montvale,  
NJ (US)  
(\*\*) Term: **14 Years**  
(21) Appl. No.: **29/260,791**  
(22) Filed: **May 31, 2006**

5,213,913 A 5/1993 Anthony, III et al.  
5,445,900 A 8/1995 Miller, Jr. et al.  
D366,514 S \* 1/1996 Hochstrate et al. .... D22/108  
D368,009 S \* 3/1996 Zurwelle ..... D8/68  
5,553,675 A 9/1996 Pitzen et al.  
5,671,815 A 9/1997 Kabatnik et al.  
5,769,657 A 6/1998 Kondo et al.  
5,792,573 A 8/1998 Pitzen et al.  
5,800,940 A 9/1998 Bunyea et al.  
D401,487 S \* 11/1998 Price ..... D8/49  
D403,936 S \* 1/1999 Somers ..... D8/68  
D406,372 S \* 3/1999 Matthes et al. .... D26/44  
5,902,080 A 5/1999 Kopras  
D420,267 S \* 2/2000 Robson ..... D8/61

(51) **LOC (8) Cl.** ..... **08-05**  
(52) **U.S. Cl.** ..... **D8/70**  
(58) **Field of Classification Search** ..... D8/10,  
D8/52, 61-74, 80, 90, 93, 98, 99, 105, 107,  
D8/303, 312, 314, 394-396; D4/101, 113;  
D7/683, 686; D19/65, 76, 86; D22/104,  
D22/108; 15/235.4, 235.8; 24/3.1, 67 R,  
24/455, 489, 499, 500, 502; 30/124, 492;  
42/71.02, 74; 81/57.11, 177.1; 172/371,  
172/379, 380; 173/13, 104, 114, 168-171,  
173/213, 217; 206/15.3, 261, 362; 294/99.2;  
310/50; 404/118, 97; 408/124; 451/344,  
451/345, 351, 353, 357-359, 364, 365, 367,  
451/371; 452/195

See application file for complete search history.

(56) **References Cited**

U.S. PATENT DOCUMENTS

2,469,857 A 5/1949 Allyn  
3,757,194 A 9/1973 Weber et al.  
4,032,806 A 6/1977 Seely  
D246,946 S \* 1/1978 Schultz ..... D8/68  
4,447,749 A 5/1984 Reeb, Jr. et al.  
D278,971 S \* 5/1985 Smith et al. .... D8/107  
4,616,169 A 10/1986 Proffitt  
4,709,974 A 12/1987 Hawkins  
4,751,452 A 6/1988 Kilmer et al.  
4,779,687 A 10/1988 Schreiber et al.  
4,835,410 A 5/1989 Bhagwat et al.  
4,871,629 A 10/1989 Bunyea  
5,089,738 A 2/1992 Bergqvist et al.

(Continued)

*Primary Examiner*—T. Chase Nelson  
*Assistant Examiner*—Karen Acker  
(74) *Attorney, Agent, or Firm*—RatnerPrestia

(57) **CLAIM**

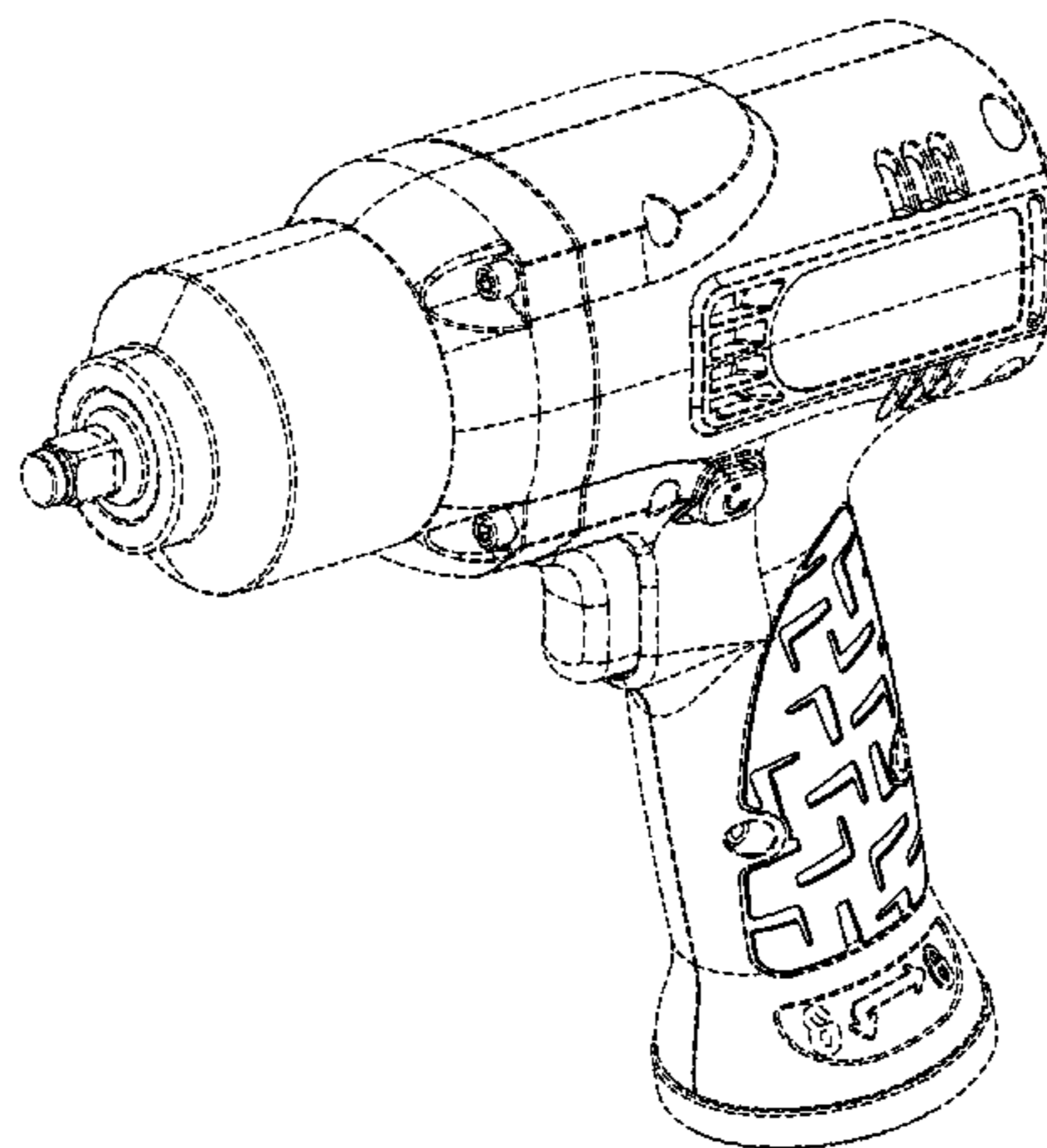
The ornamental design for a tool grip with pattern, as shown and described.

**DESCRIPTION**

FIG. 1 is a perspective view of a tool grip with pattern;  
FIG. 2 is a left side view of the tool grip with pattern shown in FIG. 1;  
FIG. 3 is a rear elevation view of the tool grip with pattern shown in FIG. 1;  
FIG. 4 is a right side view of the tool grip with pattern shown in FIG. 1;  
FIG. 5 is a front elevation view of the tool grip with pattern shown in FIG. 1;  
FIG. 6 is a top plan view of the tool grip with pattern shown in FIG. 1; and,  
FIG. 7 is a bottom plan view of the tool grip with pattern shown in FIG. 1.

In the drawings, broken lines indicate environmental structure or boundaries that form no part of the claimed design.

**1 Claim, 5 Drawing Sheets**



# US D571,177 S

Page 2

## U.S. PATENT DOCUMENTS

6,104,162	A	8/2000	Sainsbury et al.				
6,112,414	A	9/2000	Andis et al.				
6,126,670	A	10/2000	Walker et al.				
6,139,359	A	10/2000	Fuhreck et al.				
D434,298	S *	11/2000	Izumisawa .....	D8/68			
6,161,293	A	12/2000	Watson				
6,308,378	B1 *	10/2001	Mooty et al. ....	16/430			
6,384,572	B1	5/2002	Nishimura				
D485,738	S *	1/2004	Pretzell .....	D8/69			
6,675,912	B2	1/2004	Carrier				
6,729,415	B1	5/2004	Huang				
D497,529	S *	10/2004	Price .....	D8/68			
6,840,335	B1	1/2005	Wu				
6,887,244	B1	5/2005	Walker et al.				
6,889,439	B2	5/2005	Koukal et al.				
D521,338	S *	5/2006	Wai .....	D8/68			
7,053,567	B2 *	5/2006	Yamamoto .....	318/139			
7,055,622	B2 *	6/2006	Bone .....	173/217			
D524,624	S *	7/2006	Ki .....	D8/68			
D525,847	S *	8/2006	Feldmann et al. ....	D8/68			
D527,237	S *	8/2006	Otsuka et al. ....	D8/68			
D534,046	S *	12/2006	Robson .....	D8/68			

\* cited by examiner

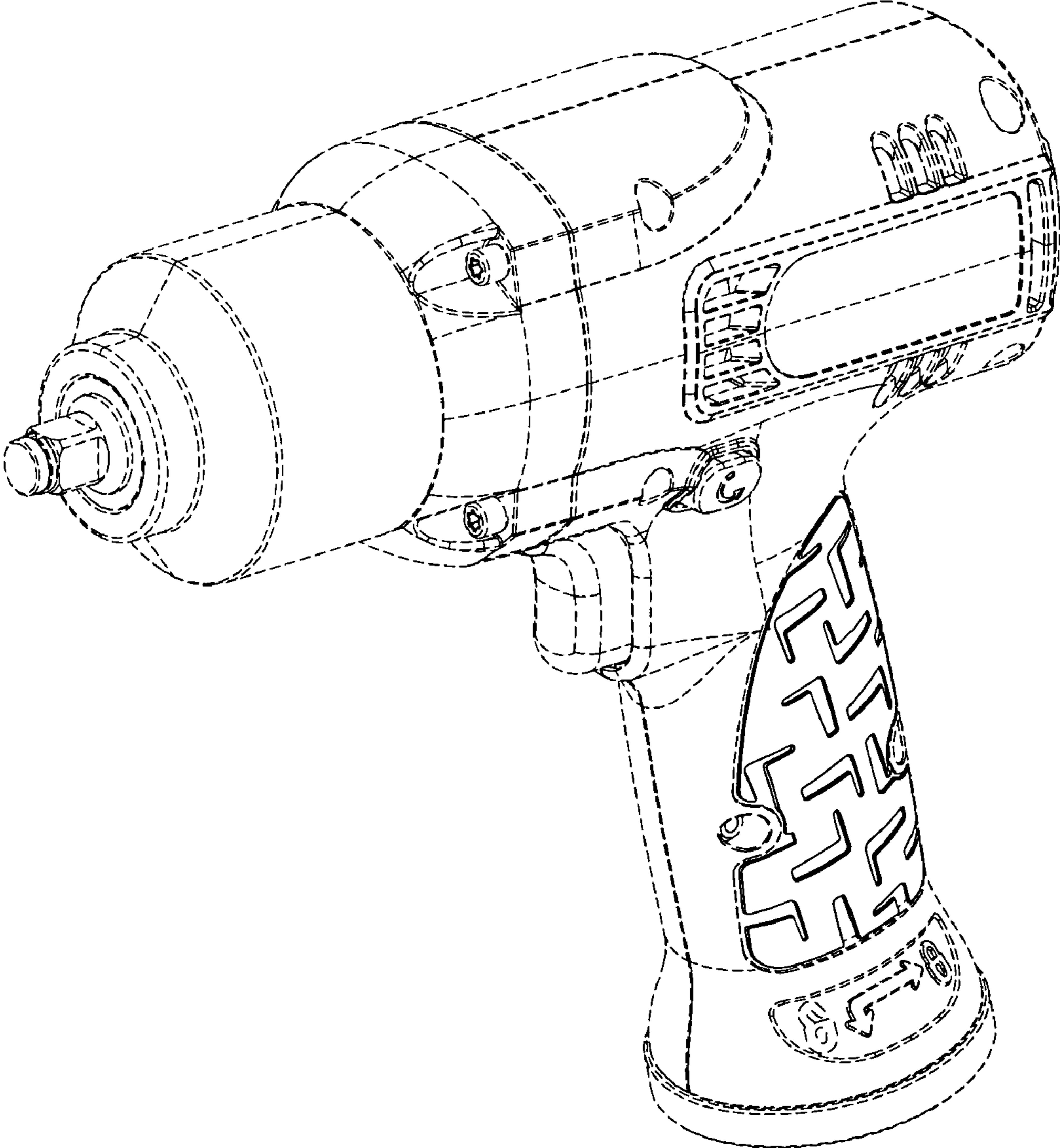


FIG. 1

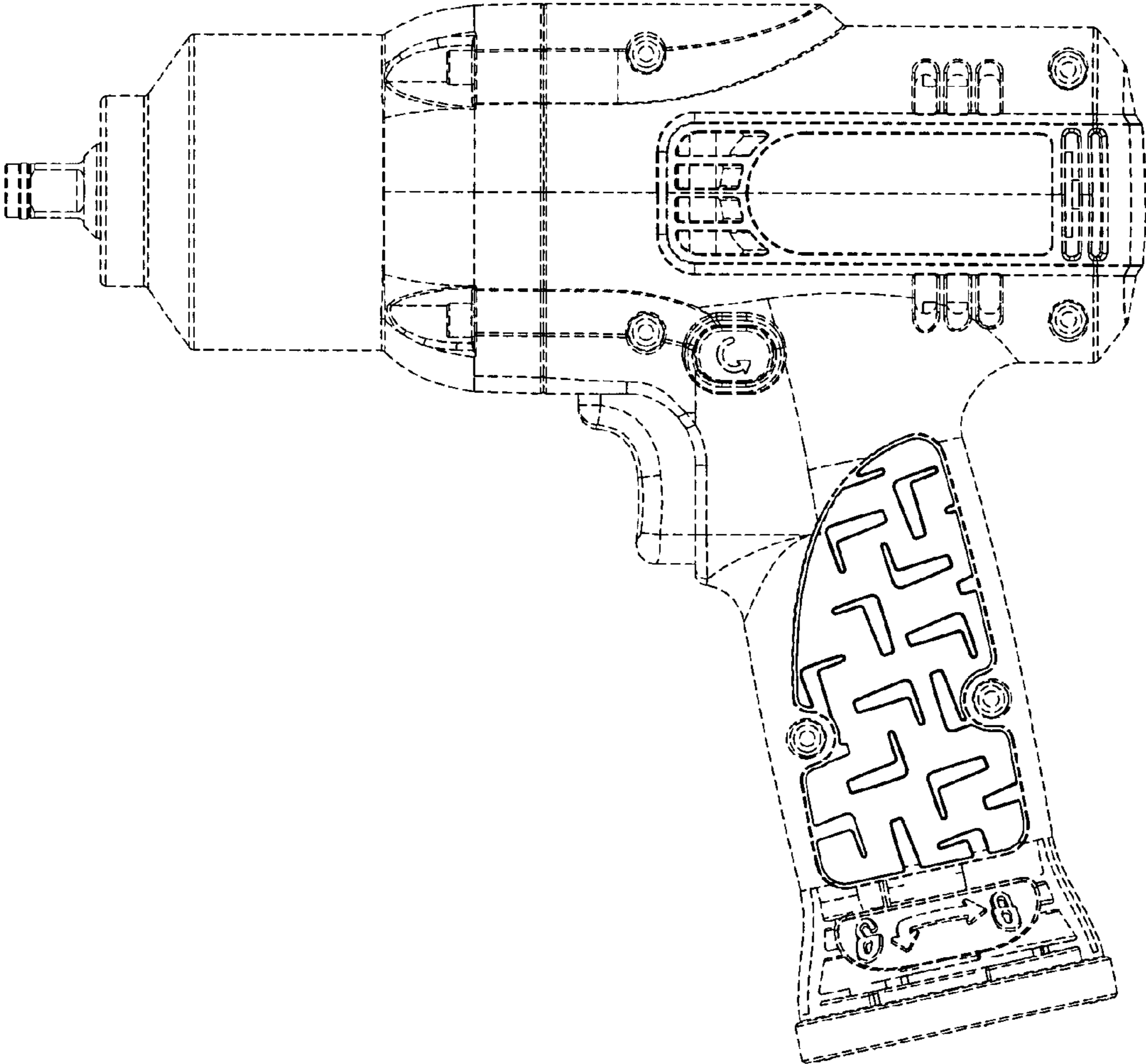


FIG. 2

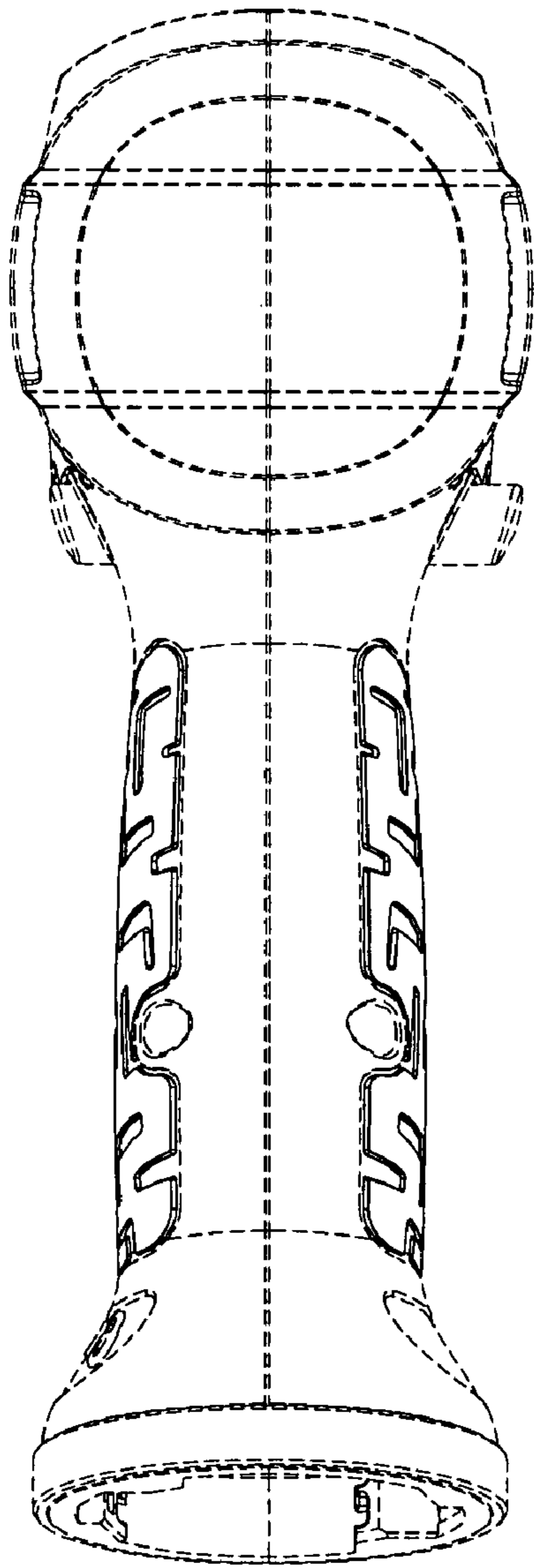


FIG. 3

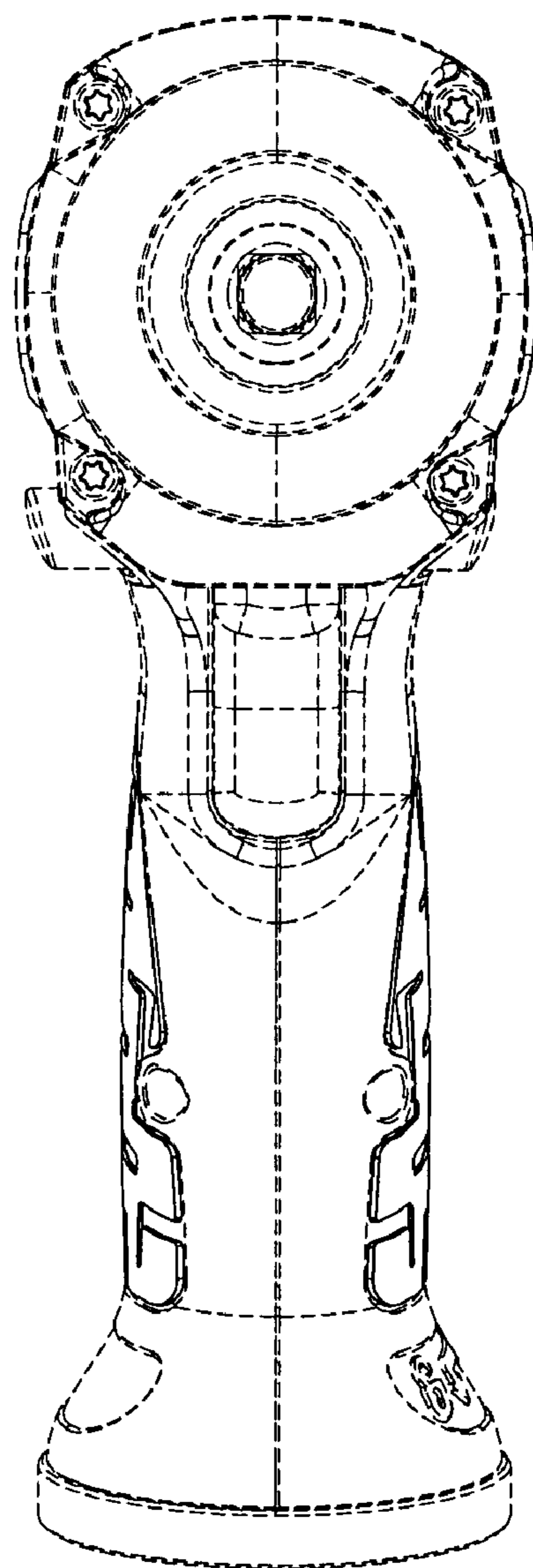


FIG. 5

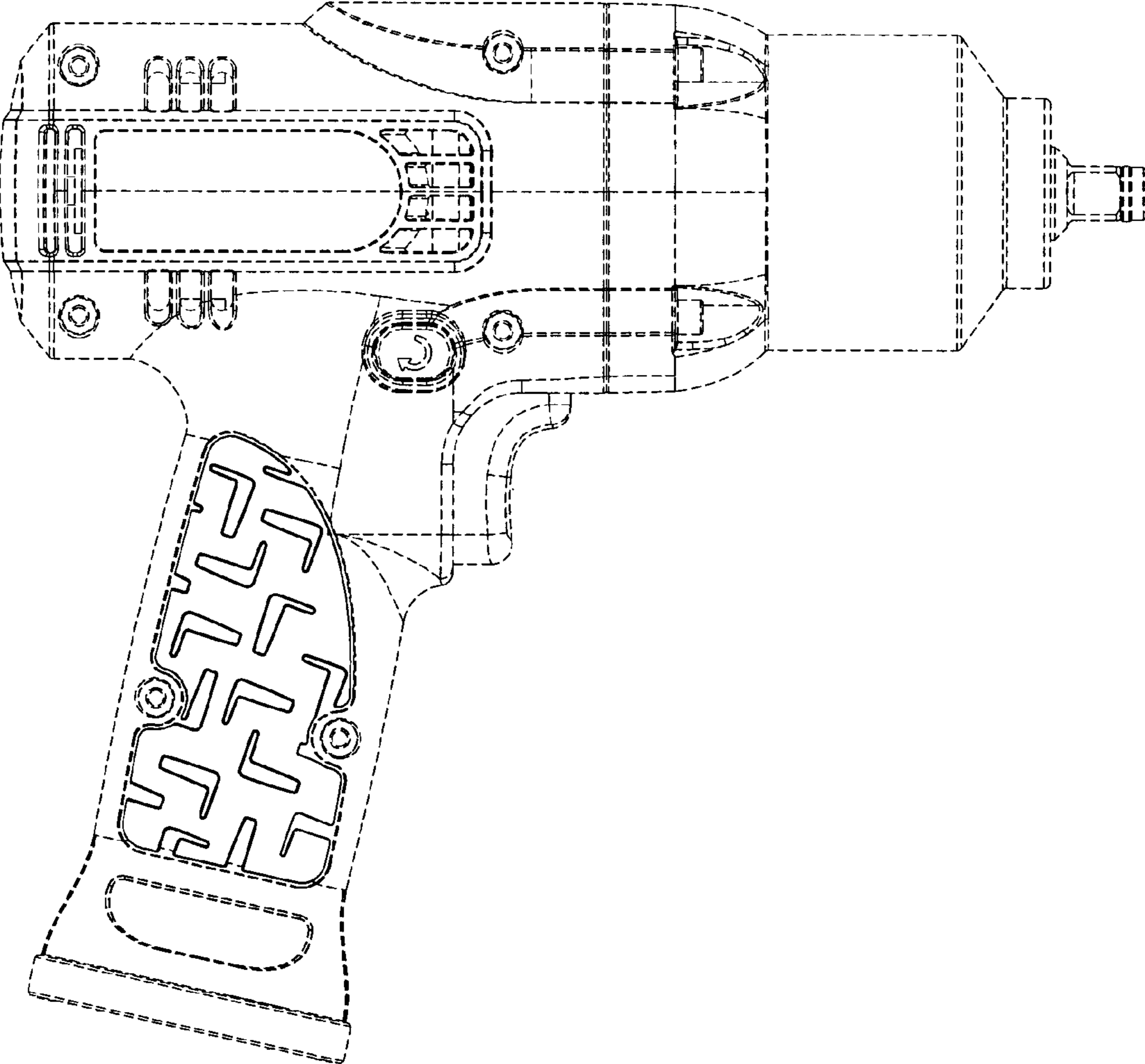


FIG. 4

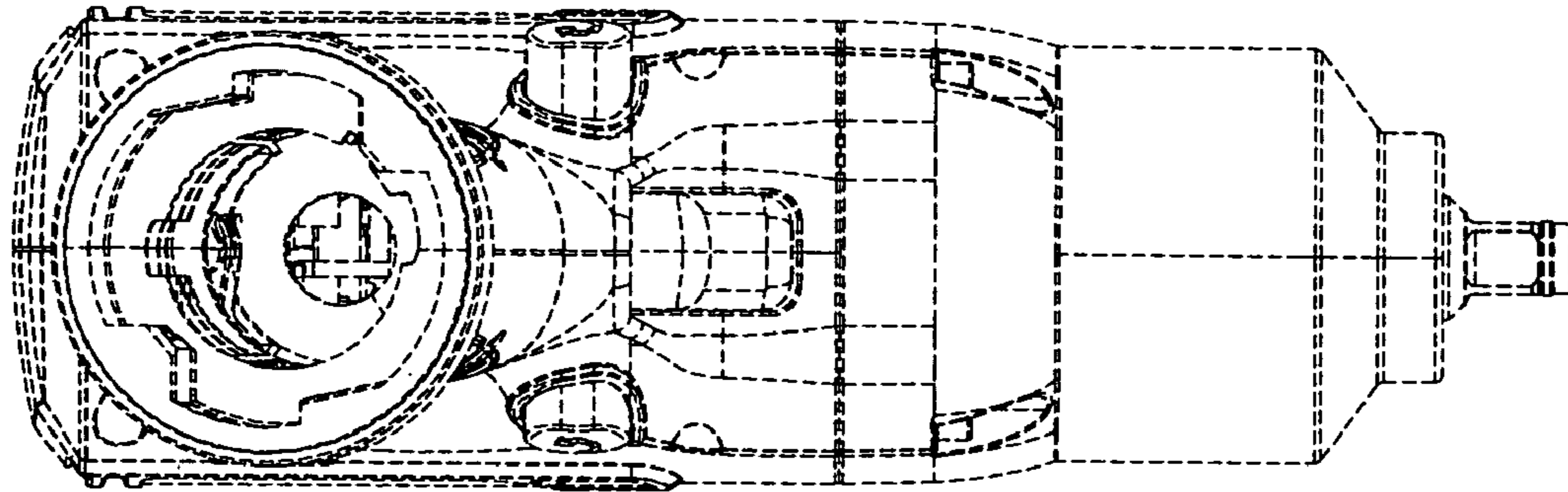


FIG. 7

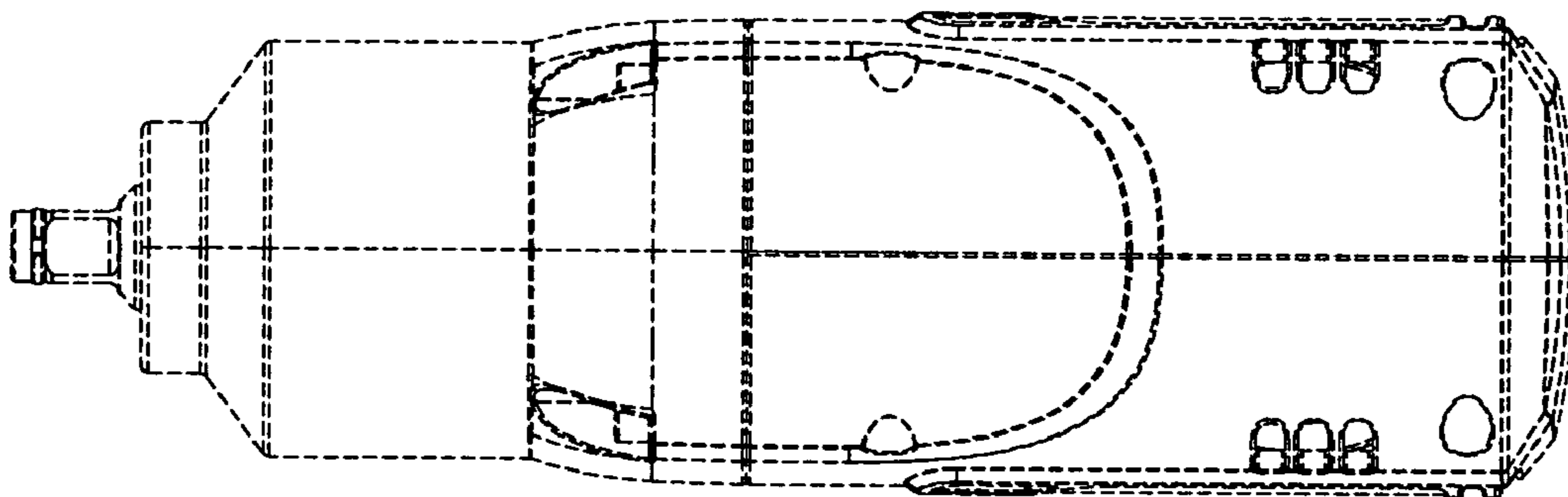


FIG. 6