



US00D571176S

(12) **United States Design Patent**
Albinsson et al.

(10) **Patent No.:** **US D571,176 S**
(45) **Date of Patent:** **** Jun. 17, 2008**

(54) **HANDHELD DRILLING TOOL**

(75) Inventors: **Mari Albinsson**, Gothenburg (SE);
Andreas Lundquist, Bromma (SE); **Ove Donnerdal**, Savedalen (SE)

(73) Assignee: **Husqvarna AB**, Huskvarna (SE)

(**) Term: **14 Years**

(21) Appl. No.: **29/277,547**

(22) Filed: **Mar. 1, 2007**

(30) **Foreign Application Priority Data**

Sep. 1, 2006 (EM) 000583109-0001

(51) **LOC (8) Cl.** **08-01**

(52) **U.S. Cl.** **D8/69**

(58) **Field of Classification Search** D8/14.1,
D8/61-70; 81/57.11, 429, 454-456, 469,
81/489; 173/13, 104, 114, 168-171, 178,
173/201, 211, 213, 217; 408/20, 124, 125,
408/234, 241 R; 451/358; 310/50; 227/8,
227/113, 114, 120, 130, 136, 142

See application file for complete search history.

(56) **References Cited**

U.S. PATENT DOCUMENTS

D154,721 S * 8/1949 Soubier D8/68
D302,646 S * 8/1989 Sasaki et al. D8/68

D323,964 S * 2/1992 Ogawa et al. D8/69
D326,805 S * 6/1992 Clivio D8/69
5,172,773 A * 12/1992 Meister et al. 173/170
5,180,019 A * 1/1993 Thiry et al. 173/171
D389,028 S * 1/1998 Muro D8/68

* cited by examiner

Primary Examiner—T. Chase Nelson

(74) *Attorney, Agent, or Firm*—Pearne & Gordon LLP

(57) **CLAIM**

The ornamental design for a handheld drilling tool, as shown and described.

DESCRIPTION

FIG. 1 is a first side elevation view of our new design for a handheld drilling tool;

FIG. 2 is a second side elevation view of the handheld drilling tool;

FIG. 3 is a bottom view of the handheld drilling tool;

FIG. 4 is a top view of the handheld drilling tool;

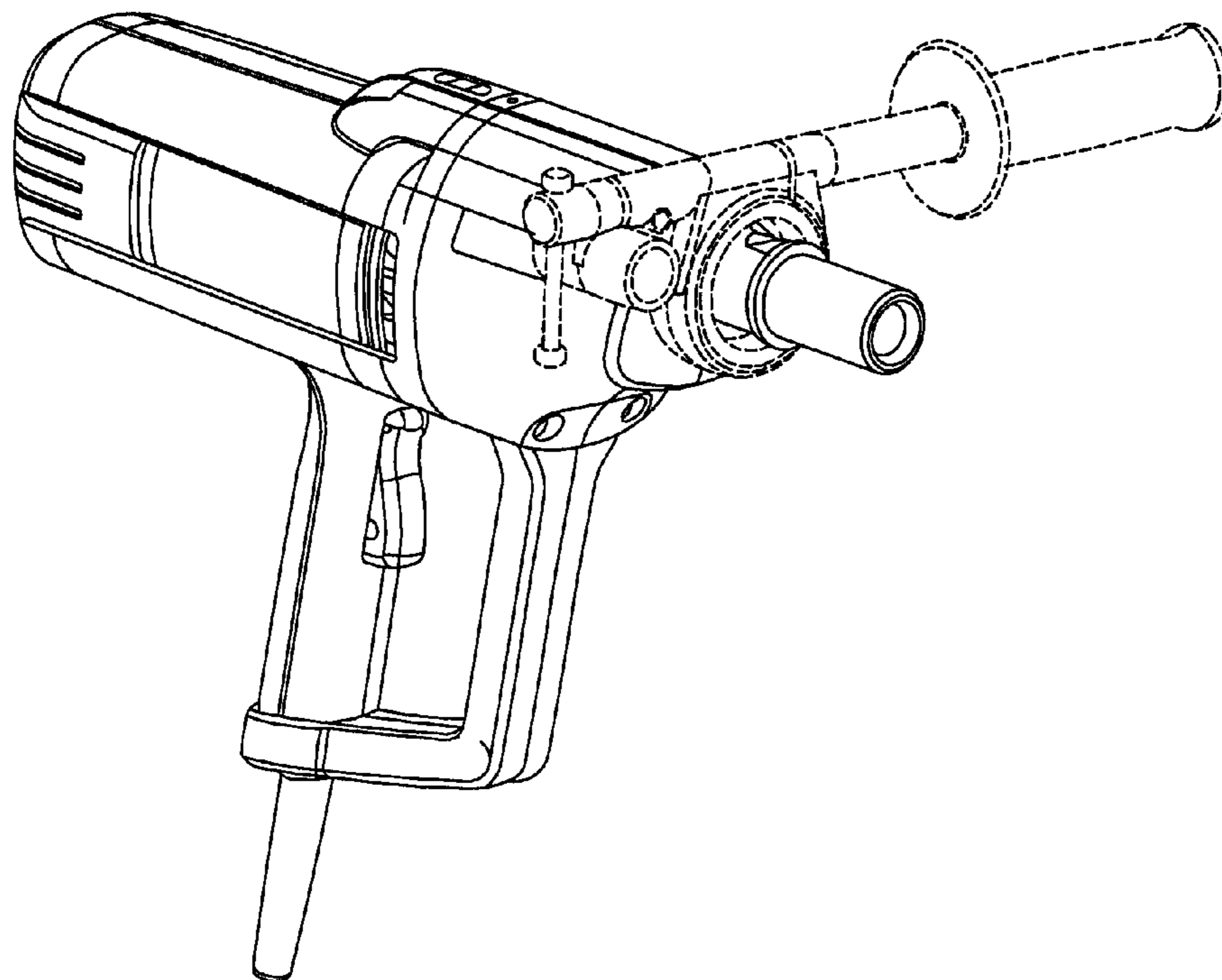
FIG. 5 is a front view of the handheld drilling tool;

FIG. 6 is a rear view of the handheld drilling tool; and,

FIG. 7 is a perspective view of the handheld drilling tool.

The portions shown in phantom lines are for illustrative purposes only and form no part of the claimed design.

1 Claim, 7 Drawing Sheets



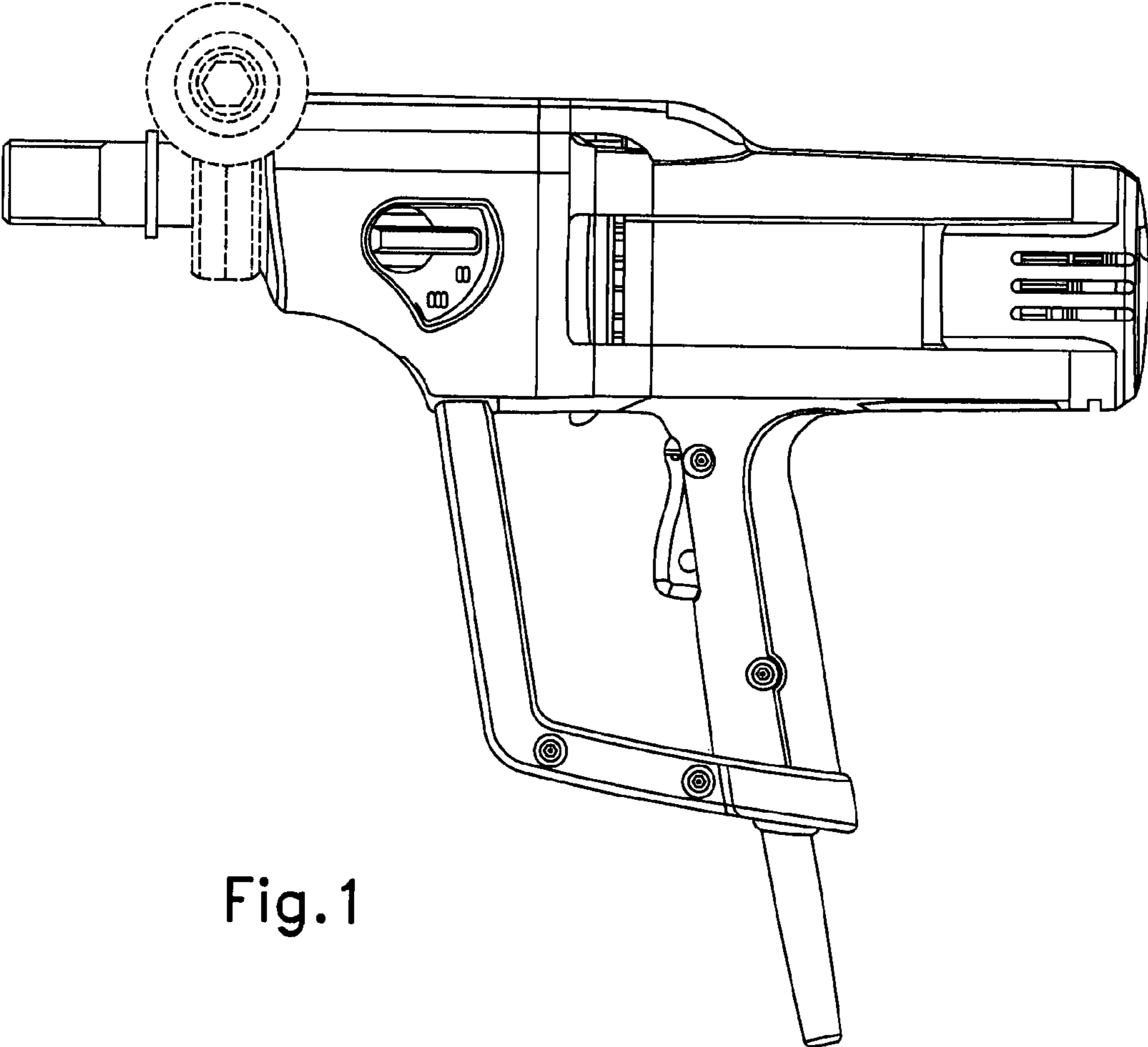


Fig. 1

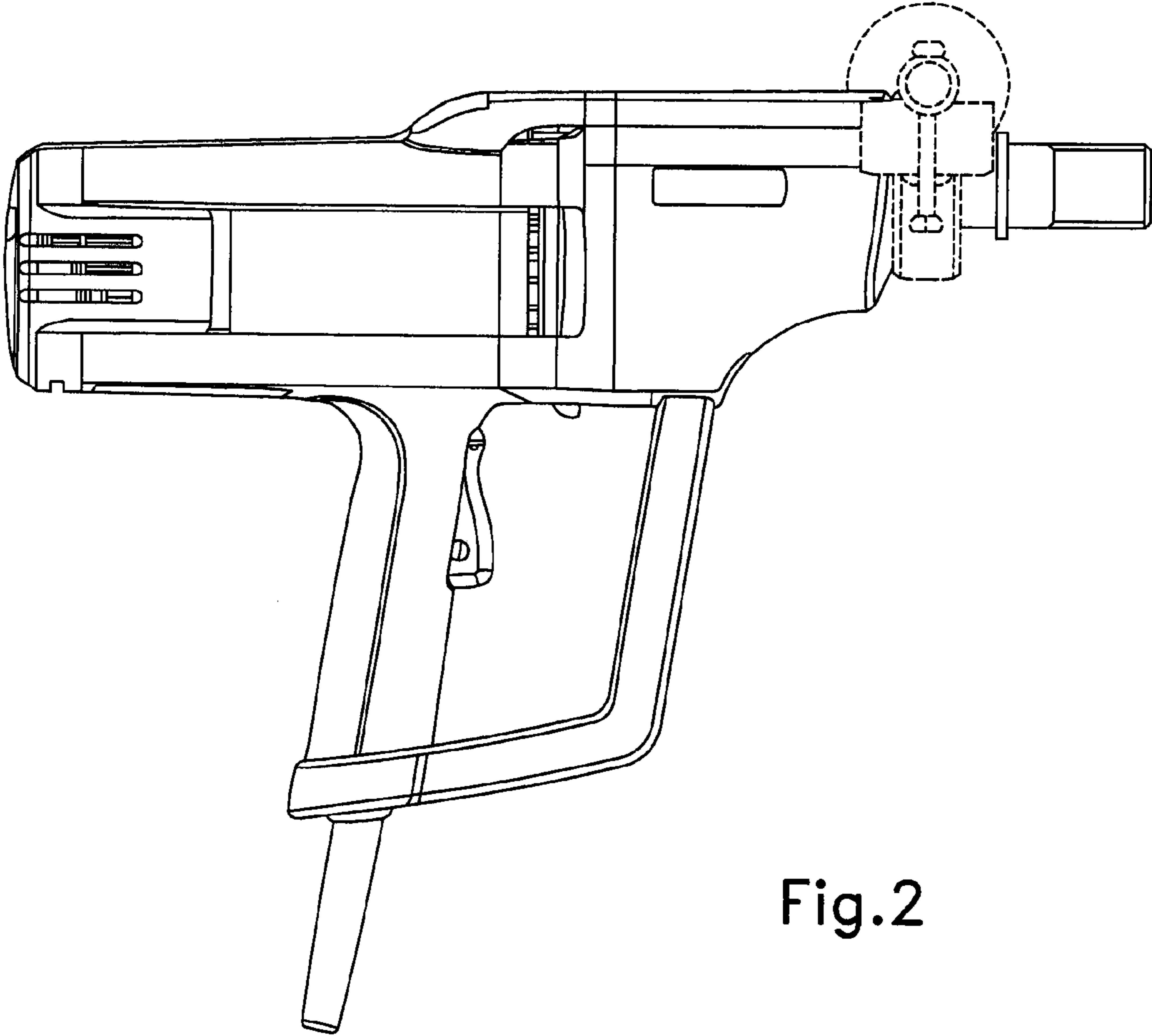


Fig.2

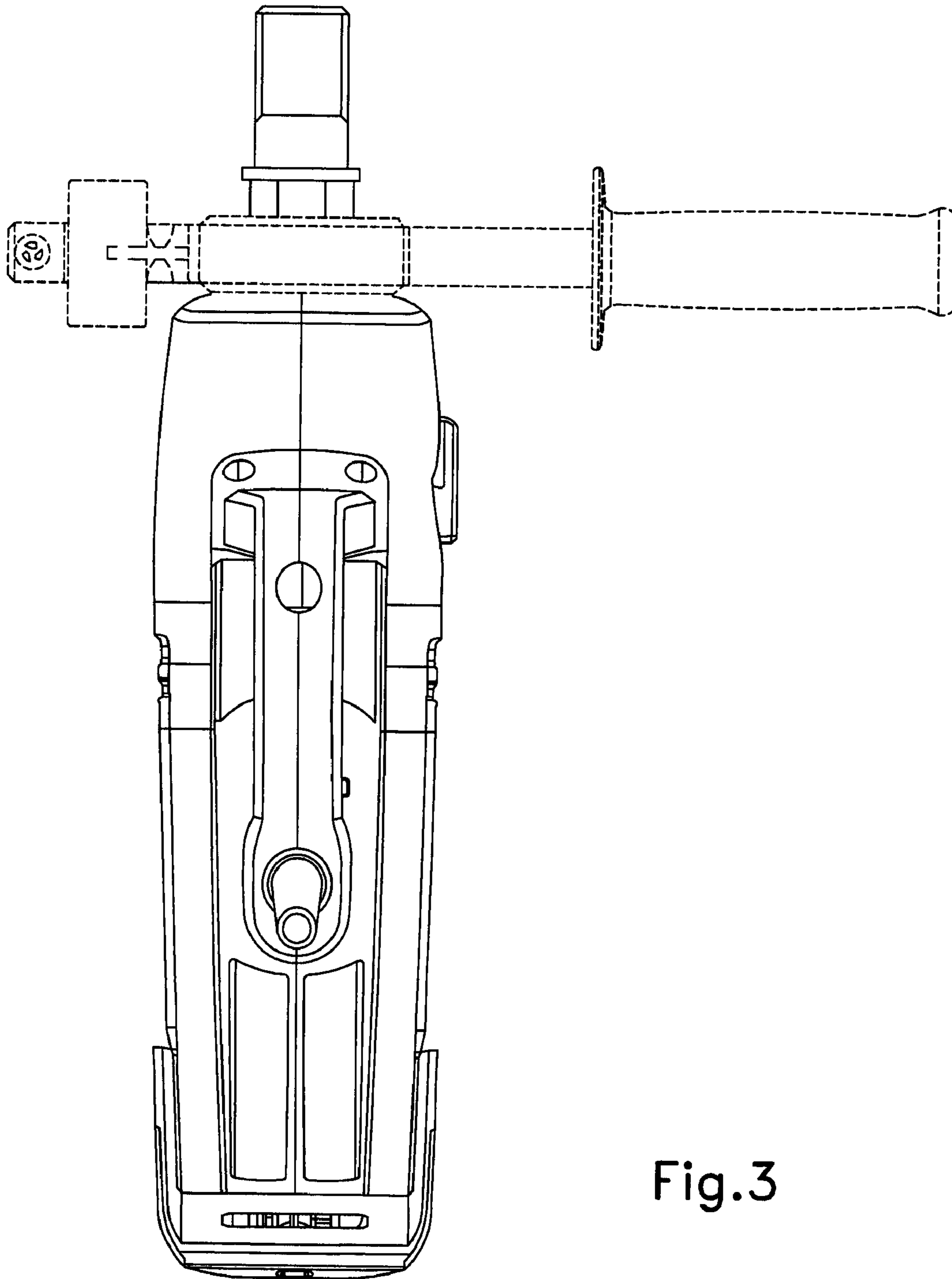


Fig.3

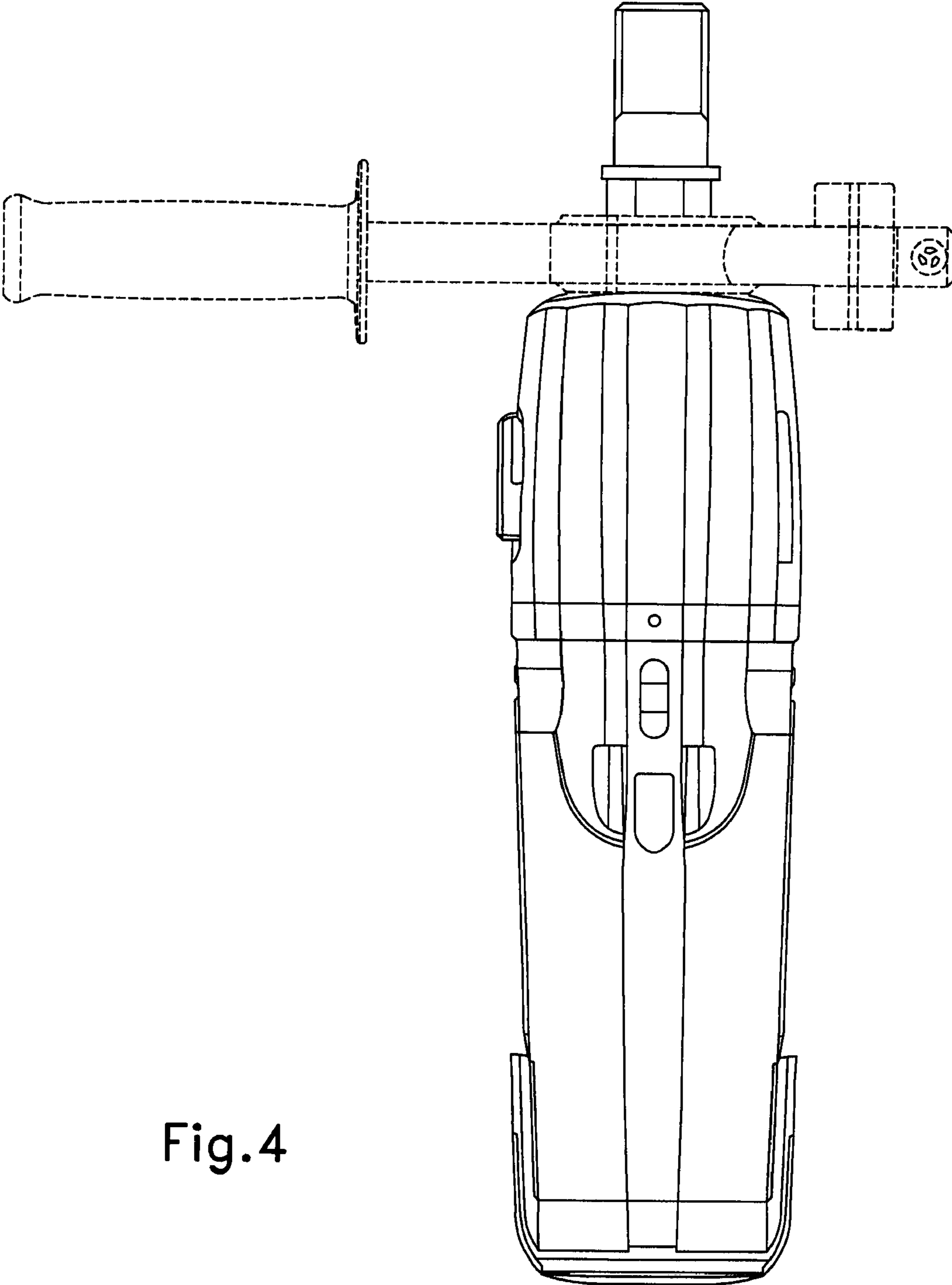


Fig.4

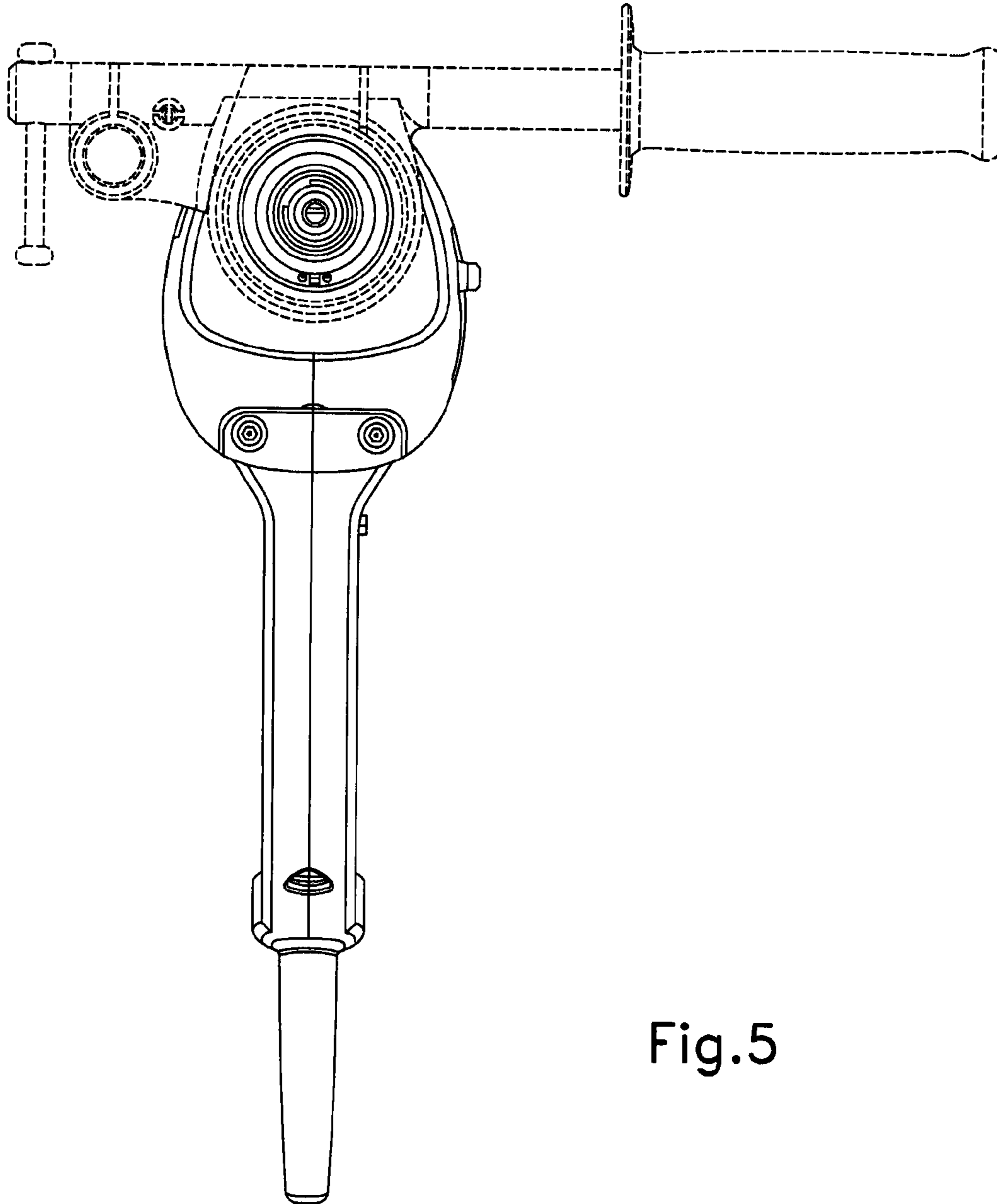


Fig.5

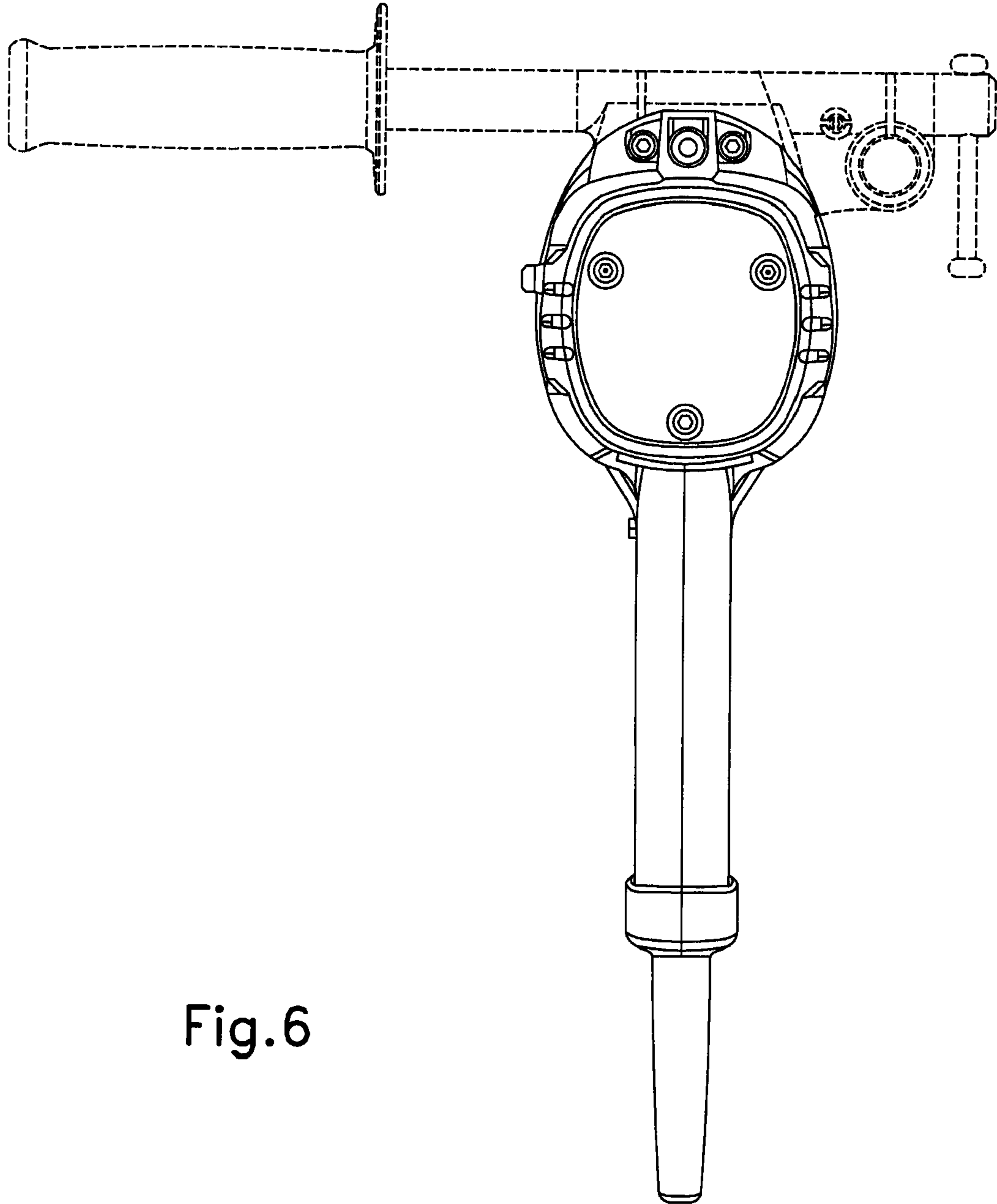


Fig.6

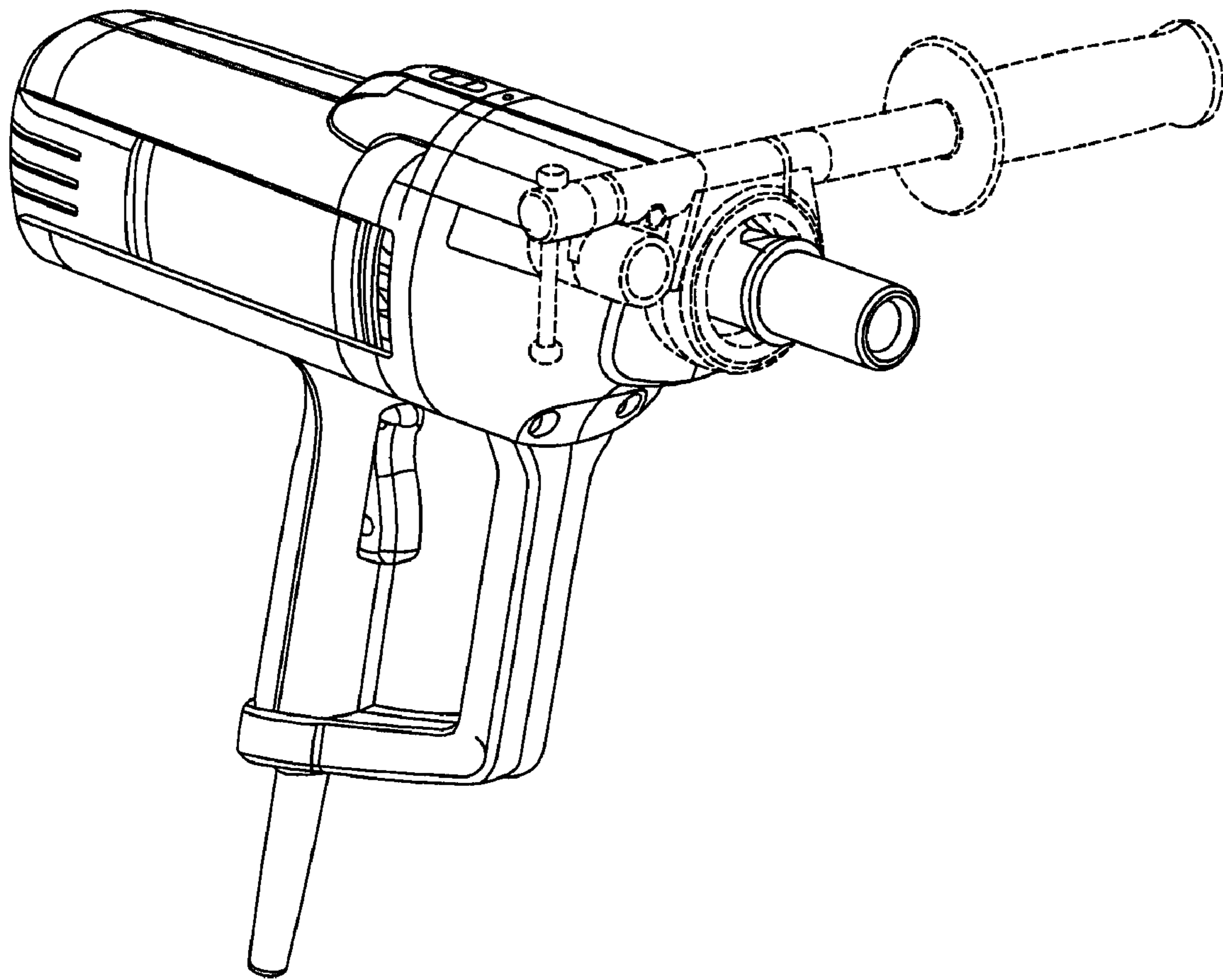


Fig.7