



US00D571175S

(12) **United States Design Patent**
Wright

(10) **Patent No.:** **US D571,175 S**

(45) **Date of Patent:** **** Jun. 17, 2008**

(54) **BAND SAW**

(75) Inventor: **Stuart J. Wright**, Timonium, MD (US)

(73) Assignee: **Black & Decker Inc.**, Newark, DE (US)

(**) Term: **14 Years**

(21) Appl. No.: **29/292,550**

(22) Filed: **Oct. 16, 2007**

(51) **LOC (8) Cl.** **08-03**

(52) **U.S. Cl.** **D8/64**

(58) **Field of Classification Search** D8/64;
D15/138, 134, 133; 83/818, 816, 788, 824;
30/380, 274, 166.3

See application file for complete search history.

(56) **References Cited**

U.S. PATENT DOCUMENTS

4,001,937	A *	1/1977	Stelljes et al.	30/380
D248,085	S	6/1978	Stelljes et al.	
4,823,666	A *	4/1989	Galloway	83/788
D316,507	S	4/1991	Fushiya et al.	
D345,171	S *	3/1994	Watanabe et al.	D15/134
D389,495	S *	1/1998	Chung	D15/134
D395,438	S *	6/1998	Armstrong	D15/134
D423,022	S *	4/2000	Brazell et al.	D15/133
D434,049	S *	11/2000	Brazell	D15/134
6,829,830	B2 *	12/2004	O'Banion	30/371
D520,032	S *	5/2006	Nortmann et al.	D15/133

D530,580	S	10/2006	Hayakawa et al.	
D545,656	S	7/2007	Welsh	
D546,153	S	7/2007	Hayakawa et al.	
2004/0139835	A1	7/2004	Wright et al.	
2004/0158996	A1 *	8/2004	McIntosh	30/380
2005/0188550	A1	9/2005	Uehlein-Proctor et al.	
2007/0068011	A1	3/2007	Shibata et al.	

* cited by examiner

Primary Examiner—Cathron Brooks

Assistant Examiner—Austin Murphy

(74) *Attorney, Agent, or Firm*—Mehul R. Jani; Adan Ayala; Charles Yocum

(57) **CLAIM**

The ornamental design for a band saw, as shown and described.

DESCRIPTION

FIG. 1 is a front perspective view of a band saw showing the new design.

FIG. 2 is a right side view thereof.

FIG. 3 is a left side view thereof.

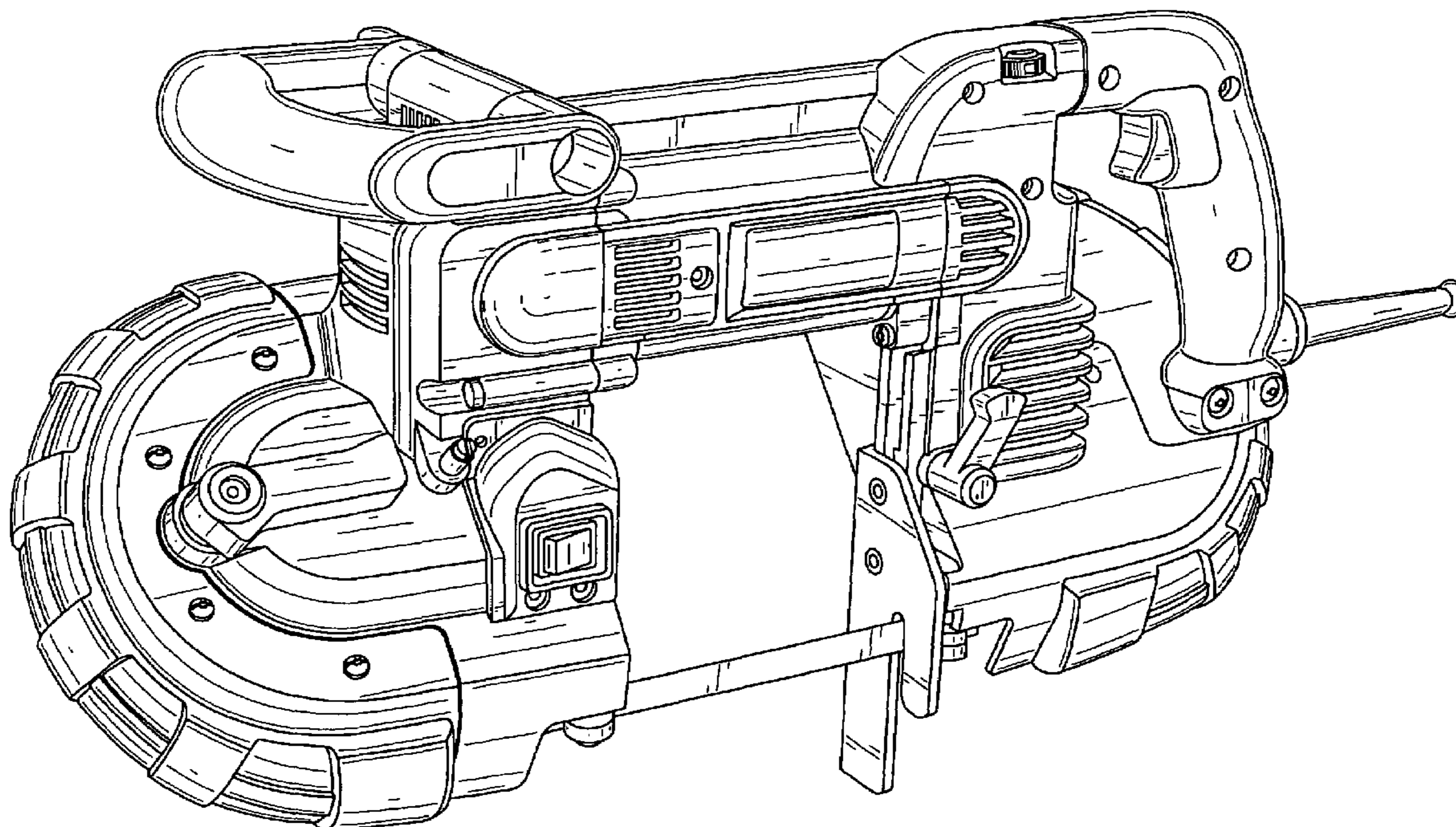
FIG. 4 is a front view thereof.

FIG. 5 is a rear view thereof.

FIG. 6 is a top view thereof; and,

FIG. 7 is a bottom view thereof.

1 Claim, 6 Drawing Sheets



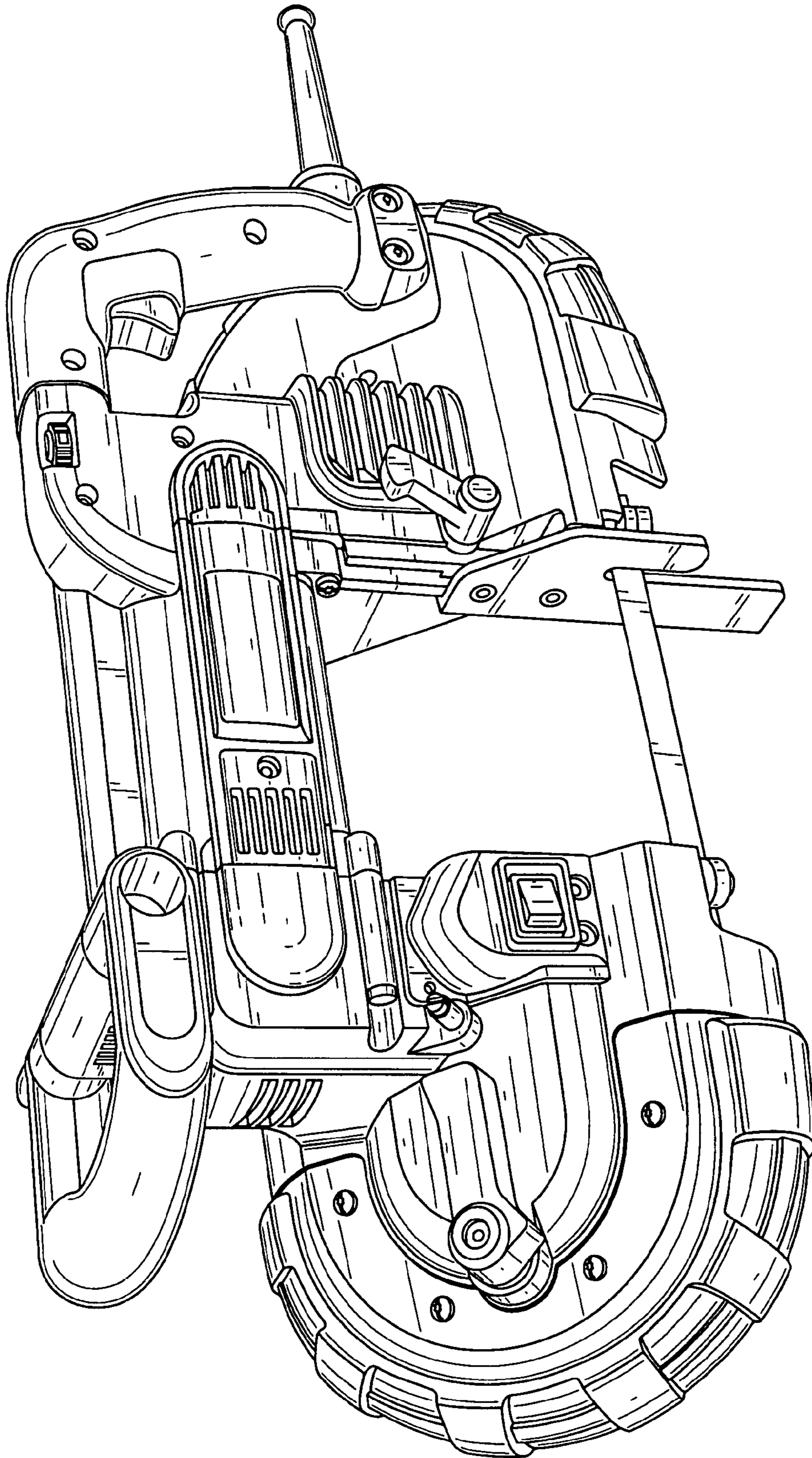


FIG. 1

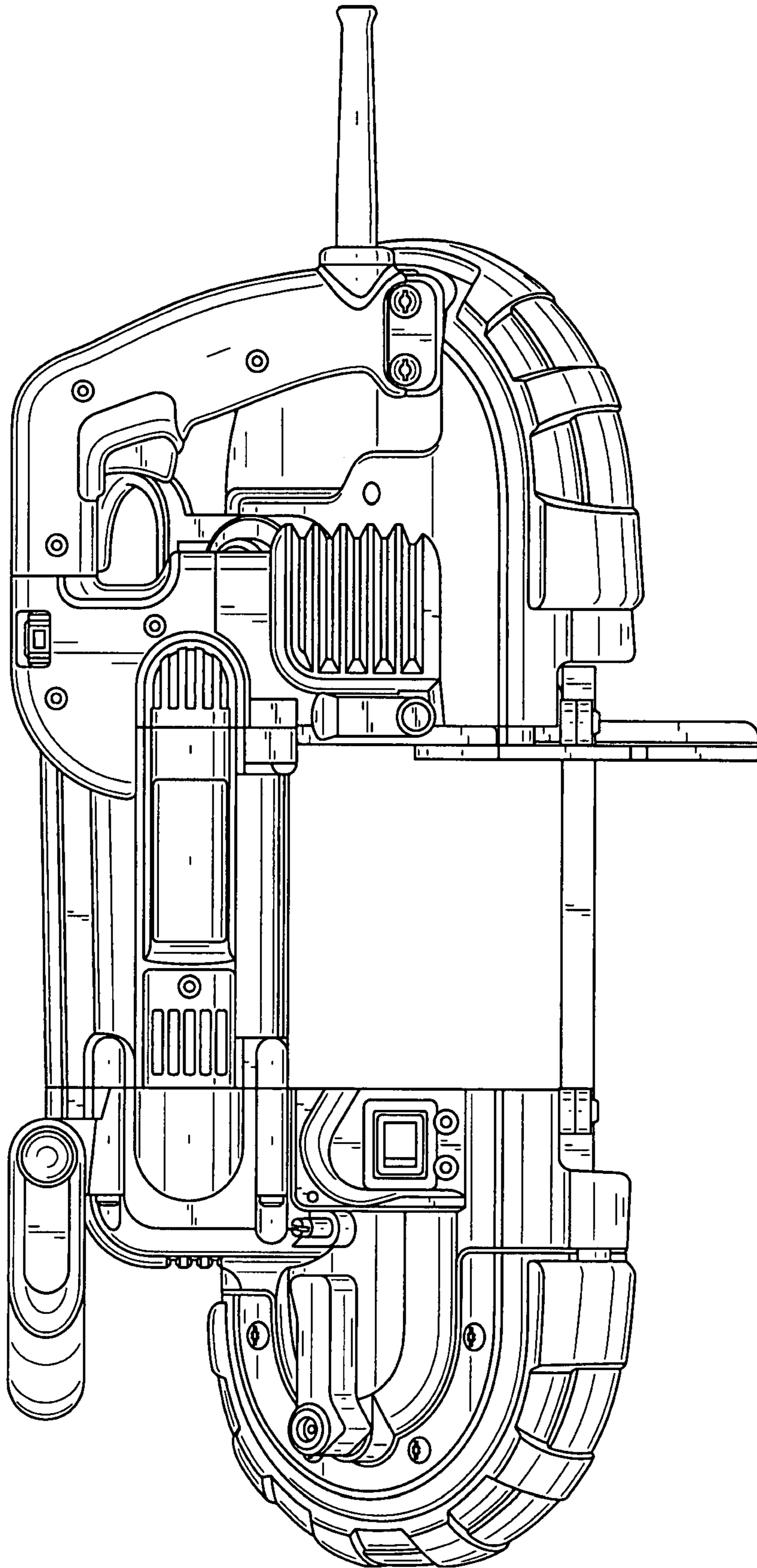


FIG. 2

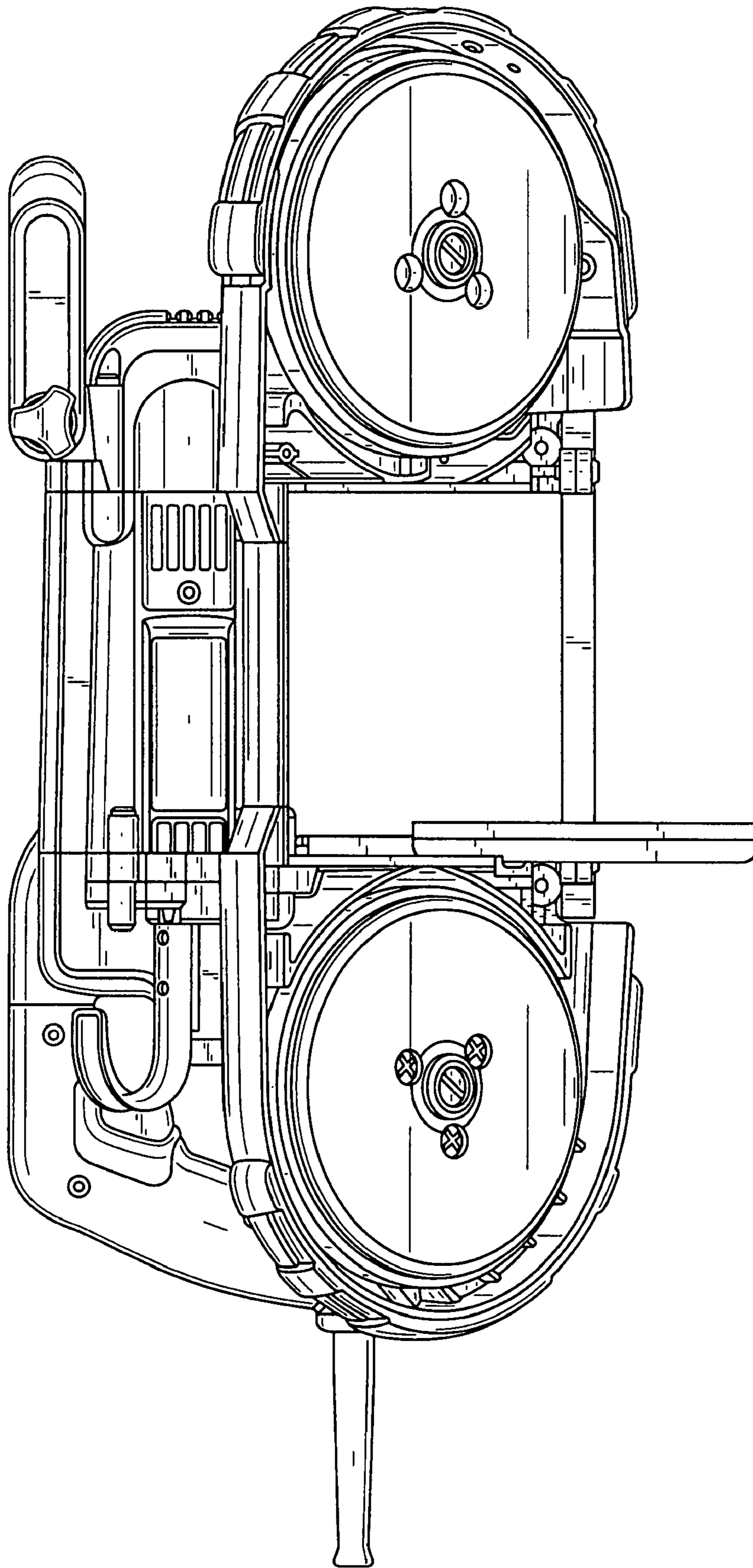


FIG. 3

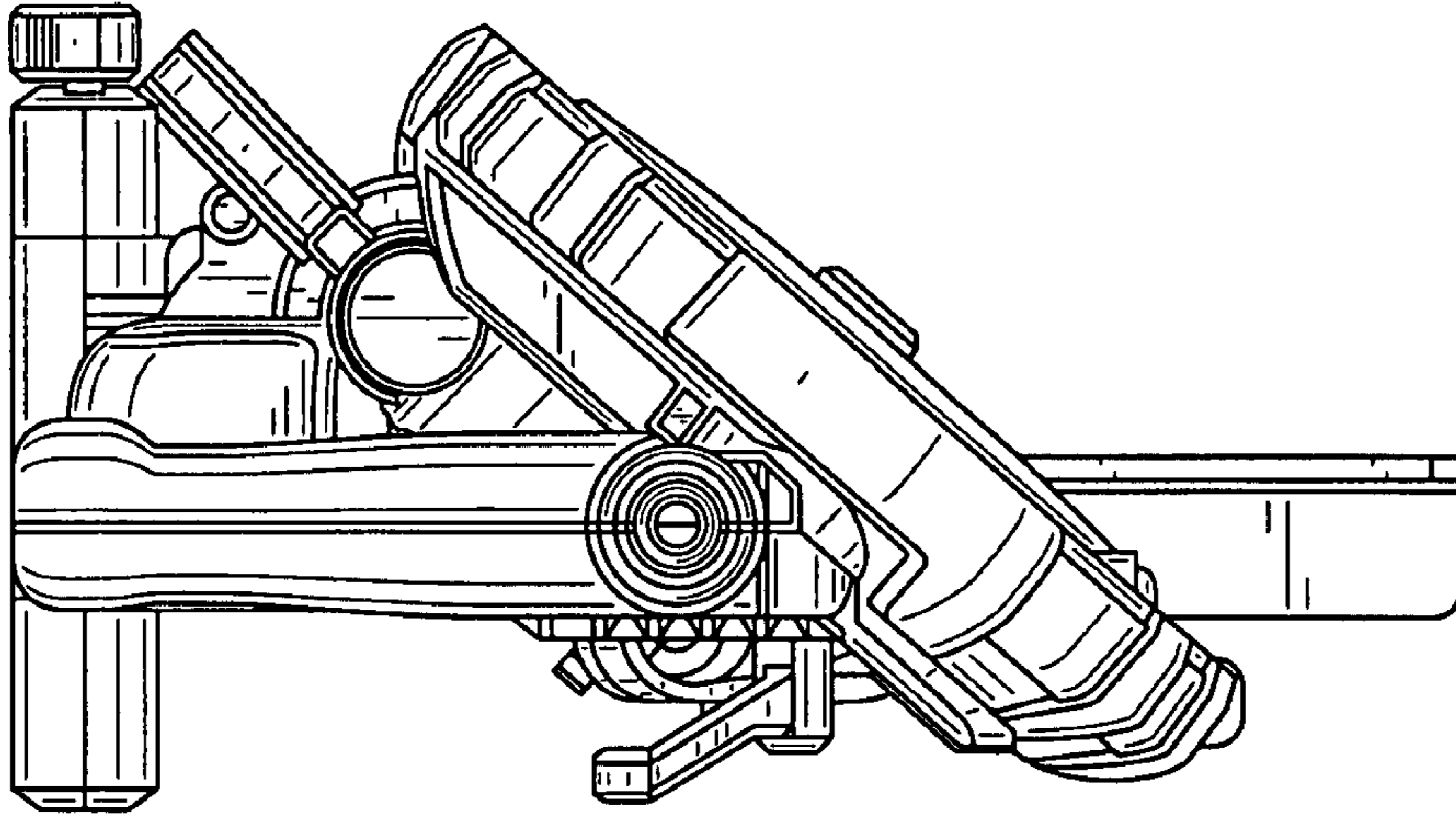


FIG. 5

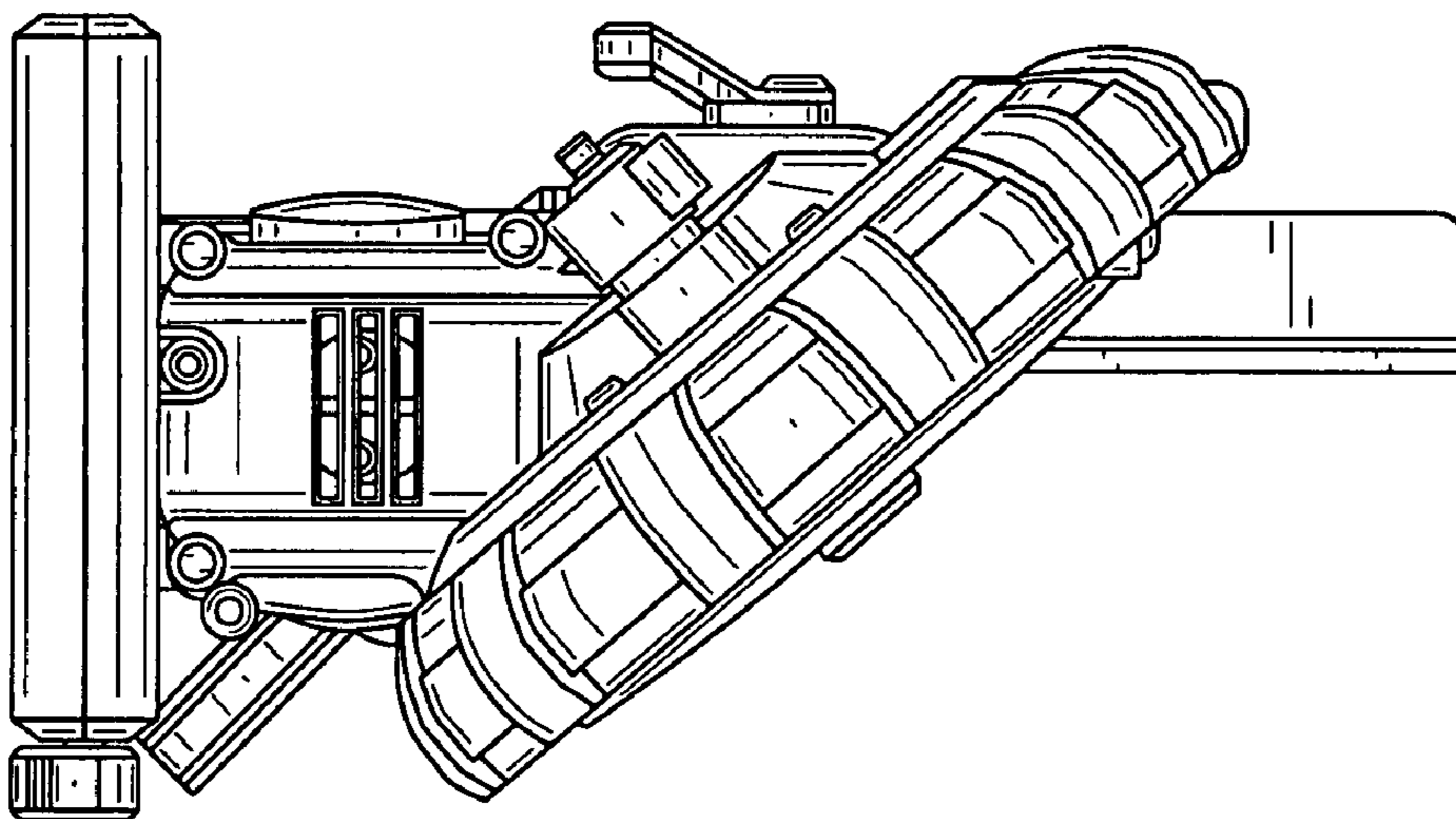


FIG. 4

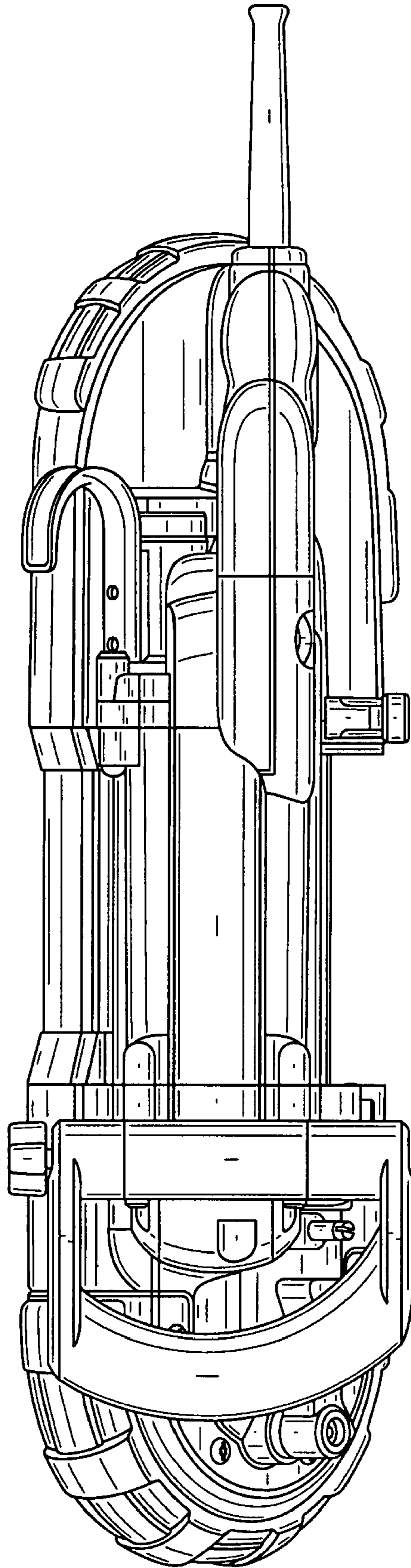


FIG. 6

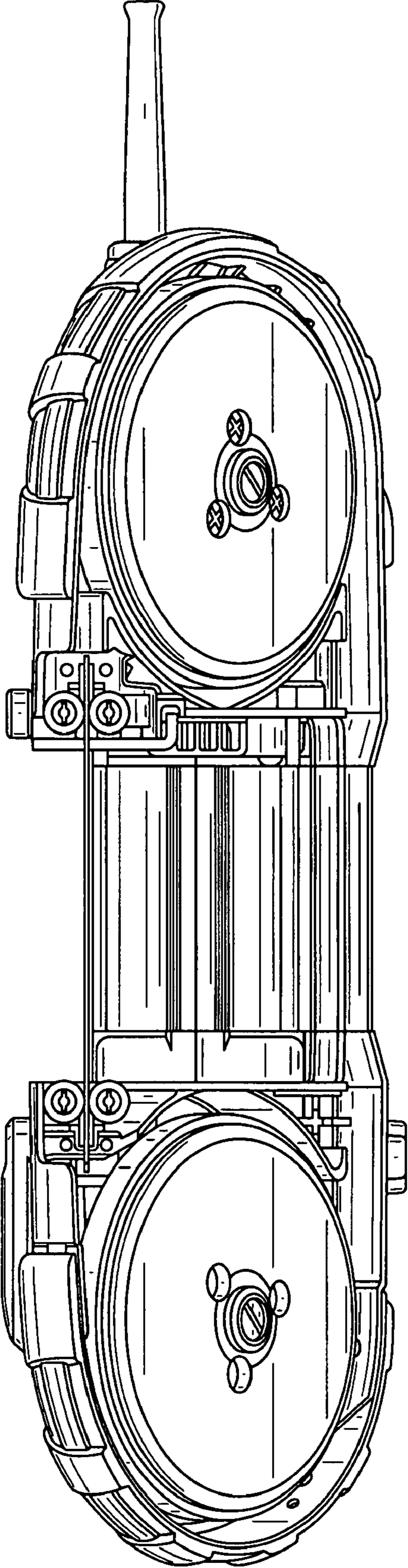


FIG. 7