

US00D571173S

(12) **United States Design Patent**  
**Hu**

(10) **Patent No.:** **US D571,173 S**  
(45) **Date of Patent:** **\*\* Jun. 17, 2008**

(54) **WRENCH**

(76) Inventor: **Bobby Hu**, 16F-2, No. 367, Gong Yi Road, West District, Taichung (TW)

(\*\*) Term: **14 Years**

(21) Appl. No.: **29/282,902**

(22) Filed: **Aug. 1, 2007**

(51) **LOC (8) Cl.** ..... **08-05**

(52) **U.S. Cl.** ..... **D8/27**

(58) **Field of Classification Search** ..... D8/17,  
D8/21-29, 52, 55, 81-87, 102-107, 98, 99,  
D8/93, 94; 81/119, 121.1, 86, 124.2, 125,  
81/125.1, 176.1, 176.2, 177.1, 177.2, 177.3,  
81/177.85, 124.3, 124.7, 176.3, 179, 160,  
81/3.57, 3.55, 58.4, 186, 58.3, 300, 58.1,  
81/60-63.2, 165-170, 110.1, 124.6, 176.15,  
81/121.7, 436, 437, 418, 177.8, 177.9, 185.1,  
81/3.4, 177.4, 492.57, 58, 13, 177.7; 81/490,  
81/415-423, 427.5, 488, 489; 140/119; 16/422,  
16/186, 429

See application file for complete search history.

(56) **References Cited**

**U.S. PATENT DOCUMENTS**

4,170,909 A \* 10/1979 Wagner ..... D8/107  
5,142,953 A \* 9/1992 Lin ..... 81/63.2

5,439,210 A \* 8/1995 Davis ..... 473/485  
6,032,556 A \* 3/2000 Hu ..... 81/436  
6,216,566 B1 \* 4/2001 Zurbuchen ..... 81/177.8  
6,279,430 B1 \* 8/2001 Hsieh ..... 81/177.7  
6,314,844 B1 \* 11/2001 Warner ..... 81/440  
6,378,701 B1 \* 4/2002 Kuo ..... 206/378  
6,688,196 B2 \* 2/2004 Warner ..... 81/440  
6,912,934 B2 \* 7/2005 Liao ..... 81/58.3

\* cited by examiner

*Primary Examiner*—Raphael Barkai

*Assistant Examiner*—Randall H Gholson

(74) *Attorney, Agent, or Firm*—Alan Kamrath; Kamrath & Associates PA

(57) **CLAIM**

The ornamental design for wrench, as shown and described.

**DESCRIPTION**

FIG. 1 is a perspective view of a wrench showing my new design;

FIG. 2 is a front view thereof;

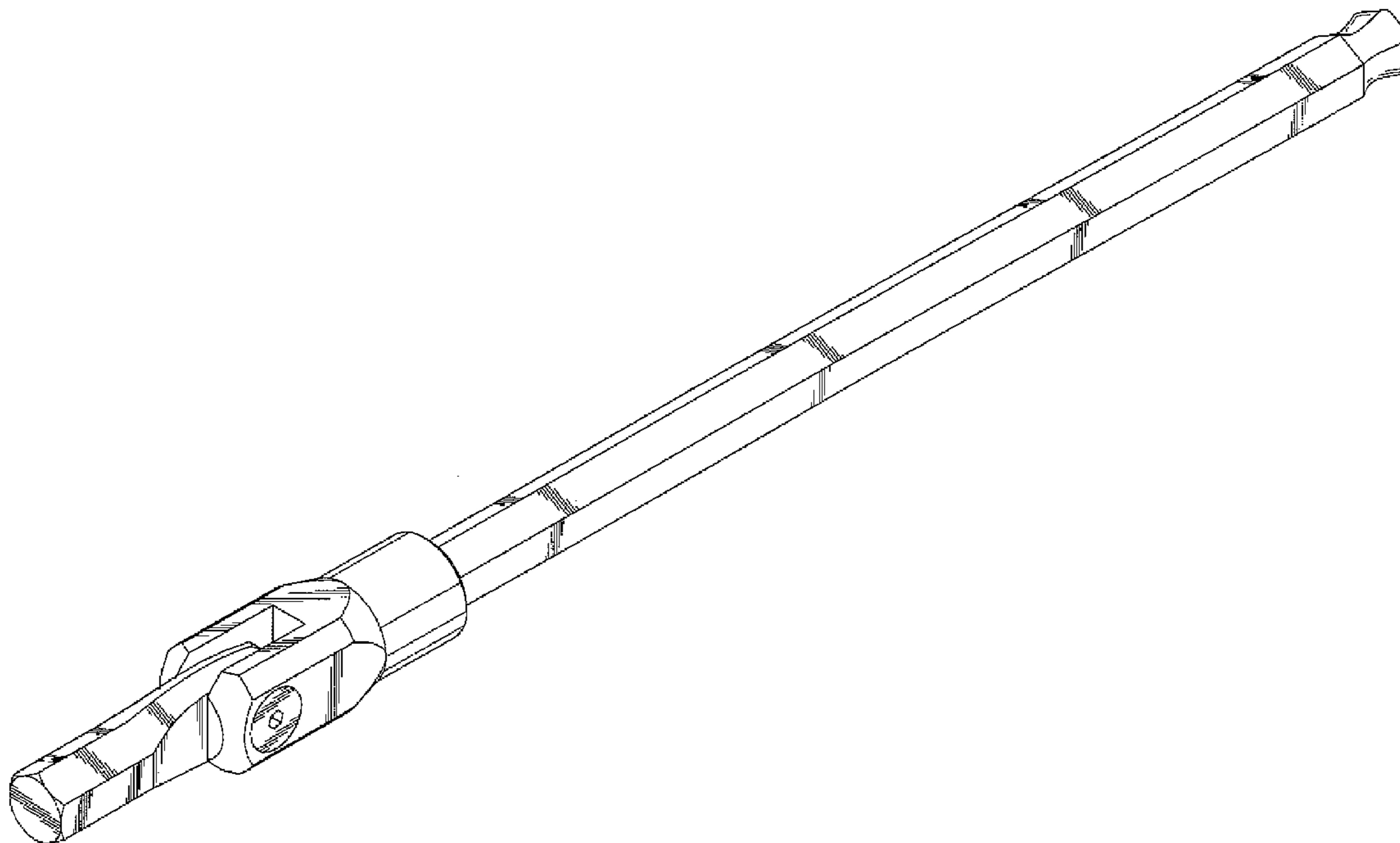
FIG. 3 is a rear view thereof;

FIG. 4 is a left view thereof;

FIG. 5 is a right view thereof; and,

FIG. 6 is a top view thereof.

**1 Claim, 3 Drawing Sheets**



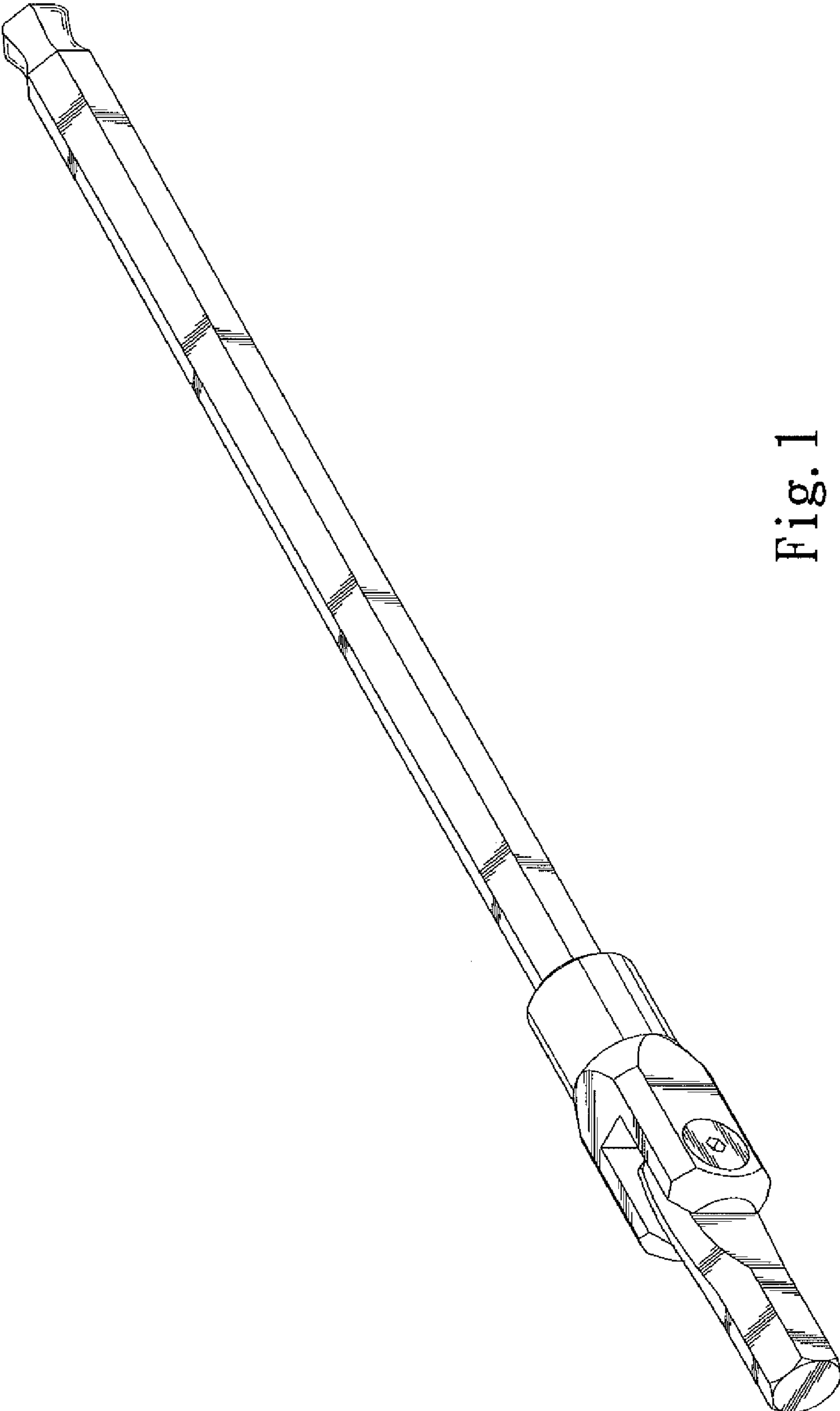


Fig. 1

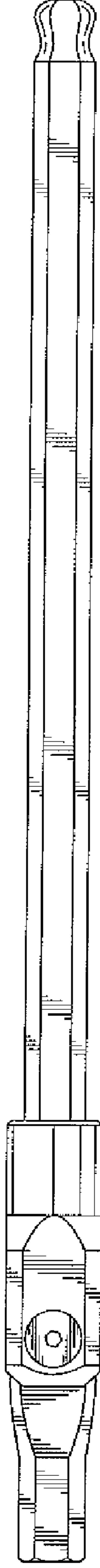


Fig. 2

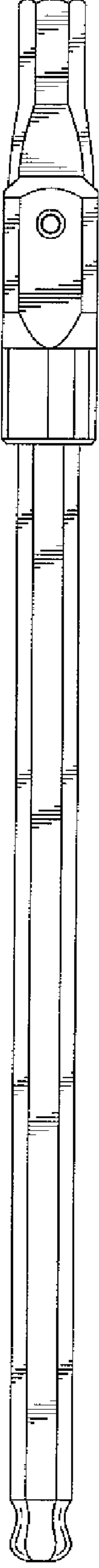


Fig. 3

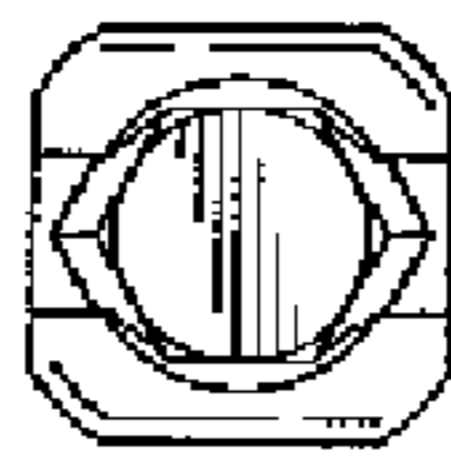


Fig. 4

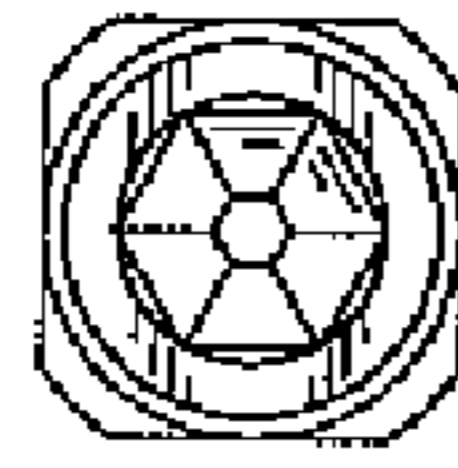


Fig. 5

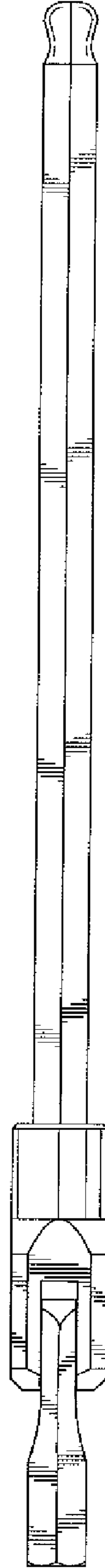


Fig. 6