

US00D571171S

(12) **United States Design Patent** (10) **Patent No.:** **US D571,171 S**  
**Albritton et al.** (45) **Date of Patent:** **\*\* Jun. 17, 2008**

(54) **PICTURE HANGING TOOL**  
(75) Inventors: **Campbell Albritton**, Willow Grove, PA (US); **John Paul Prego**, Ottsville, PA (US)

(73) Assignee: **Dorman Products, Inc.**, Colmar, PA (US)

(\*\*) Term: **14 Years**

(21) Appl. No.: **29/263,254**

(22) Filed: **Jul. 19, 2006**

(51) **LOC (8) Cl.** ..... **08-05**

(52) **U.S. Cl.** ..... **D8/14**

(58) **Field of Classification Search** ..... D8/14,  
D8/107, 105; 248/544, 547, 475.1; 33/613,  
33/666

See application file for complete search history.

(56) **References Cited**

**U.S. PATENT DOCUMENTS**

3,516,165 A	6/1970	Pfeffer	
D251,966 S *	5/1979	Wallace	D8/367
4,382,337 A	5/1983	Bendick	
4,455,756 A	6/1984	Greene	
4,459,690 A *	7/1984	Corsover et al.	369/44.13
4,473,957 A	10/1984	Faulkner	
4,559,690 A	12/1985	Asmus	
4,591,125 A	5/1986	Bellehumeur	
4,830,325 A	5/1989	Anderson	
5,109,611 A	5/1992	Houck	
5,178,355 A	1/1993	Herzig	
5,180,135 A	1/1993	Hindall	
5,451,027 A	9/1995	McHenry	
5,520,318 A *	5/1996	Sloop	227/32
D384,252 S *	9/1997	Aydelott	D8/14
5,806,826 A	9/1998	Lemire	
6,049,991 A *	4/2000	Gruenberg et al.	33/613

6,739,065 B2 *	5/2004	Hofmeister et al.	33/613
D513,575 S *	1/2006	Carson et al.	D8/16
7,226,032 B2 *	6/2007	Schlais et al.	248/547
2002/0078582 A1	6/2002	Krake et al.	
2003/0051363 A1	3/2003	Hofmeister et al.	
2003/0229999 A1	12/2003	Rimback	
2004/0084598 A1	5/2004	Dodig, Jr.	
2004/0098875 A1	5/2004	Gould	
2004/0140413 A1	7/2004	Dodig, Jr.	
2005/0178942 A1	8/2005	Dodig, Jr.	
2005/0218287 A1	10/2005	Strobel	

\* cited by examiner

*Primary Examiner*—Philip S Hyder

(74) *Attorney, Agent, or Firm*—Volpe and Koenig, P.C.

(57) **CLAIM**

The ornamental design for the picture hanging tool, as shown and described.

**DESCRIPTION**

FIG. 1 is a top perspective view of a picture hanging tool according to the present invention;

FIG. 2 is a bottom perspective view of the picture hanging tool of FIG. 1;

FIG. 3 is a left side elevated view of the picture hanging tool of FIG. 1;

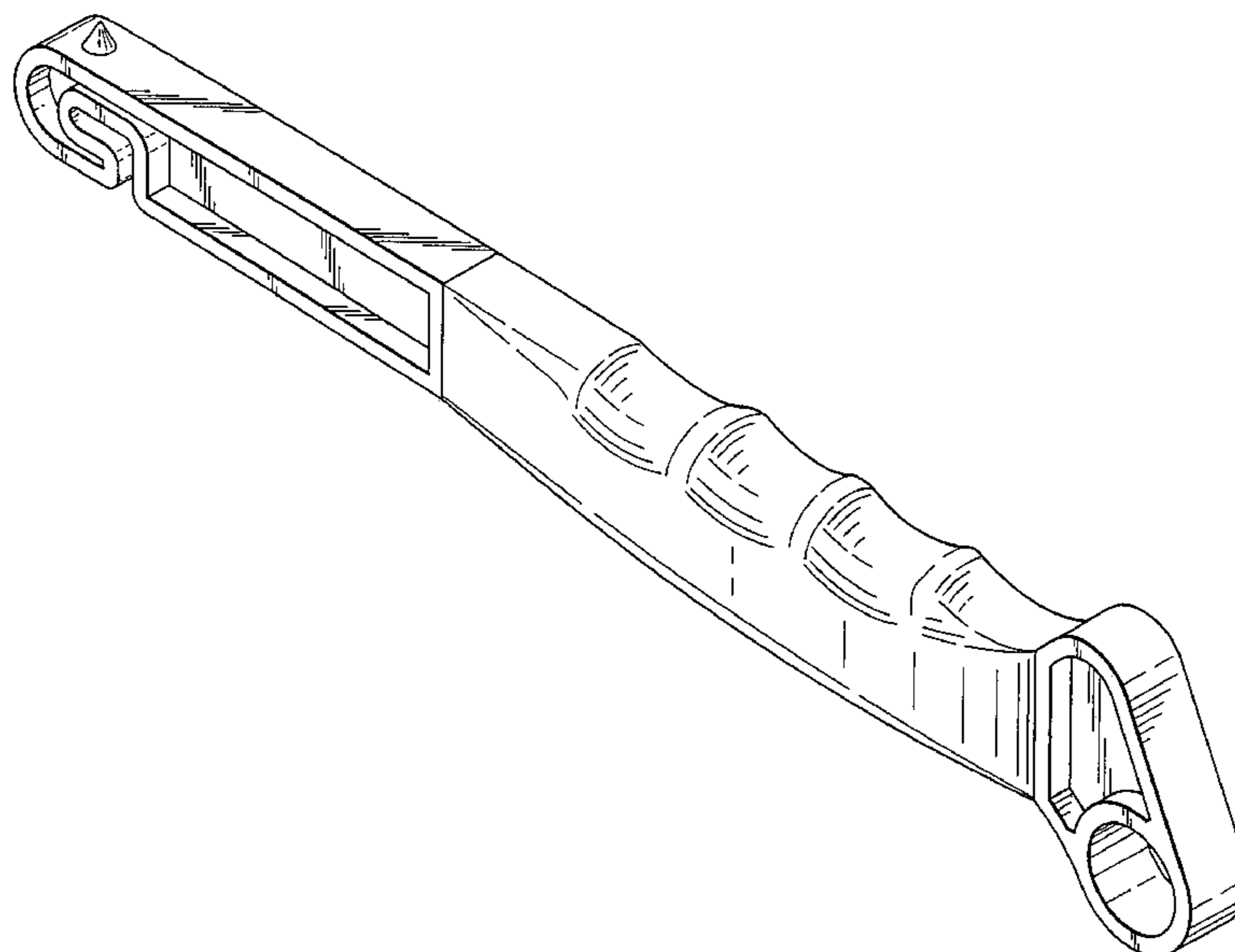
FIG. 4 is a right side elevated-view of the picture hanging tool of FIG. 1;

FIG. 5 is a front elevated view of the picture hanging tool of FIG. 1 the back elevation being the mirror image thereof;

FIG. 6 is a bottom plan view of the picture hanging tool of FIG. 1; and,

FIG. 7 is a top plan view of the picture hanging tool of FIG. 1.

**1 Claim, 3 Drawing Sheets**



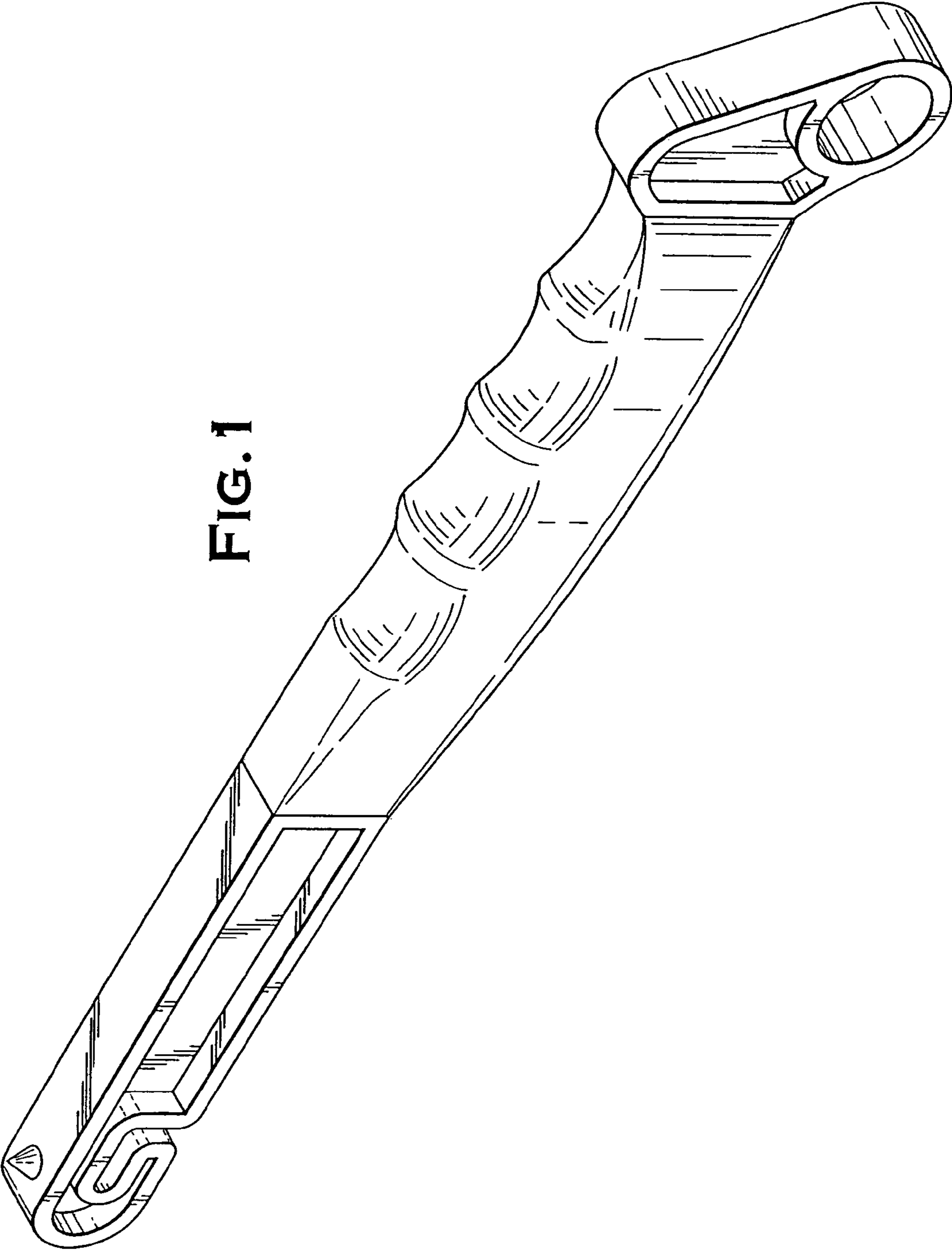


FIG. 1

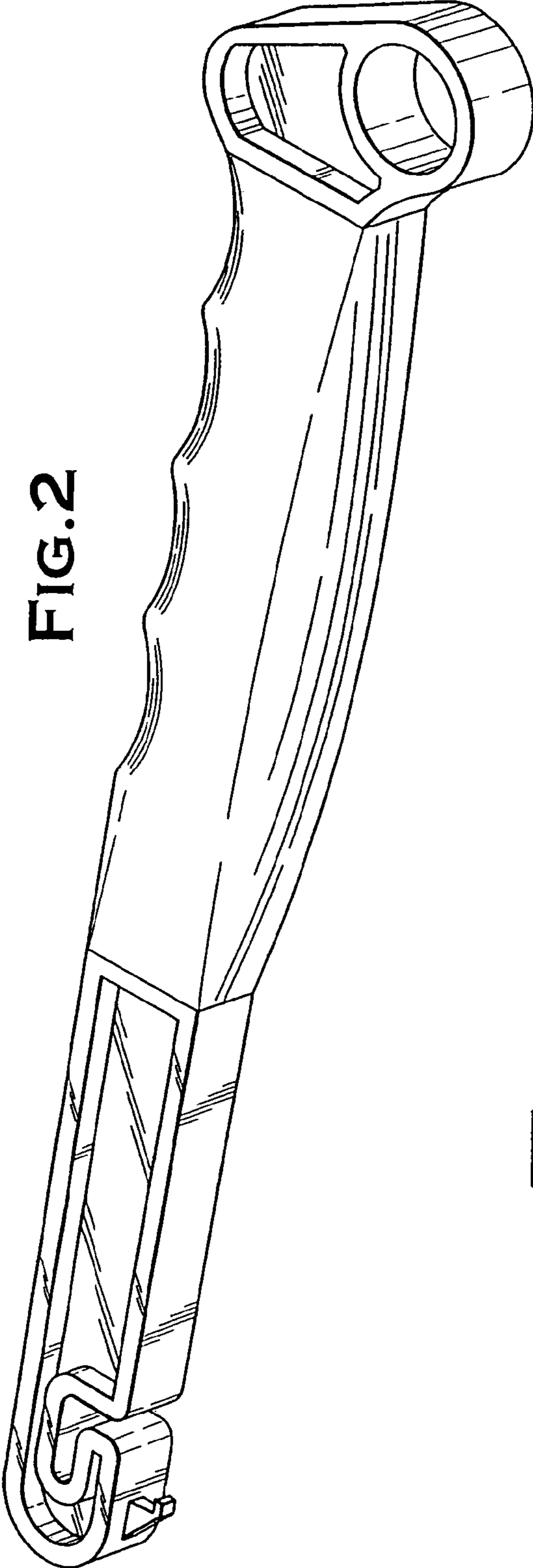


FIG. 2

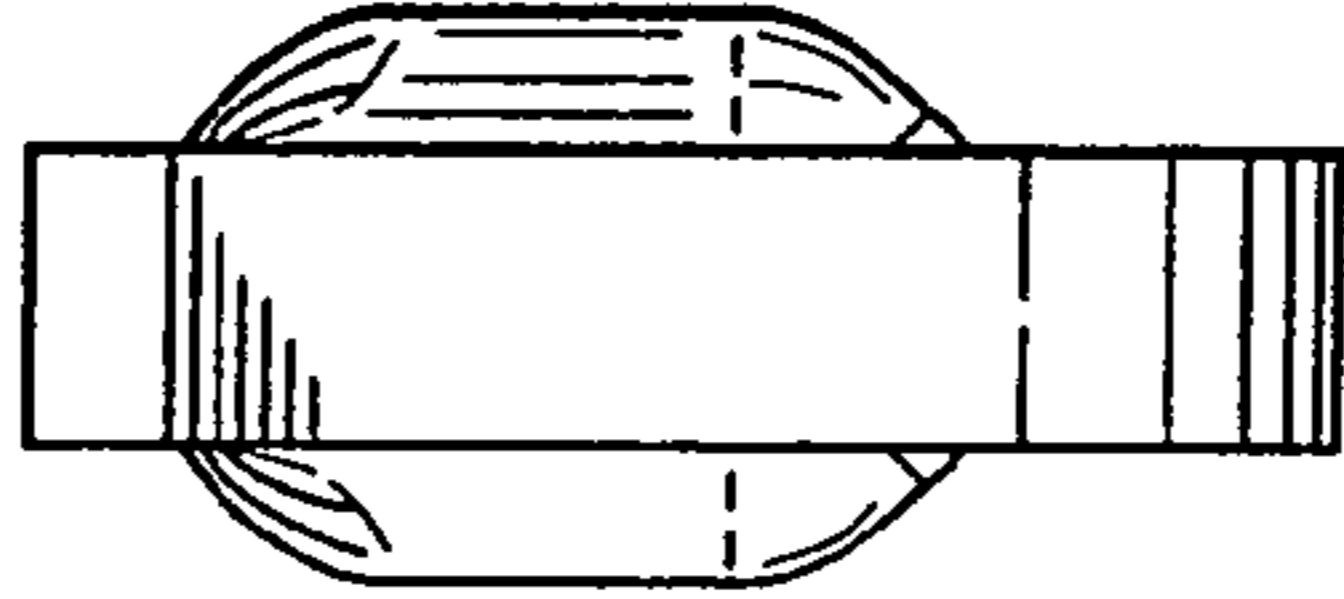


FIG. 4

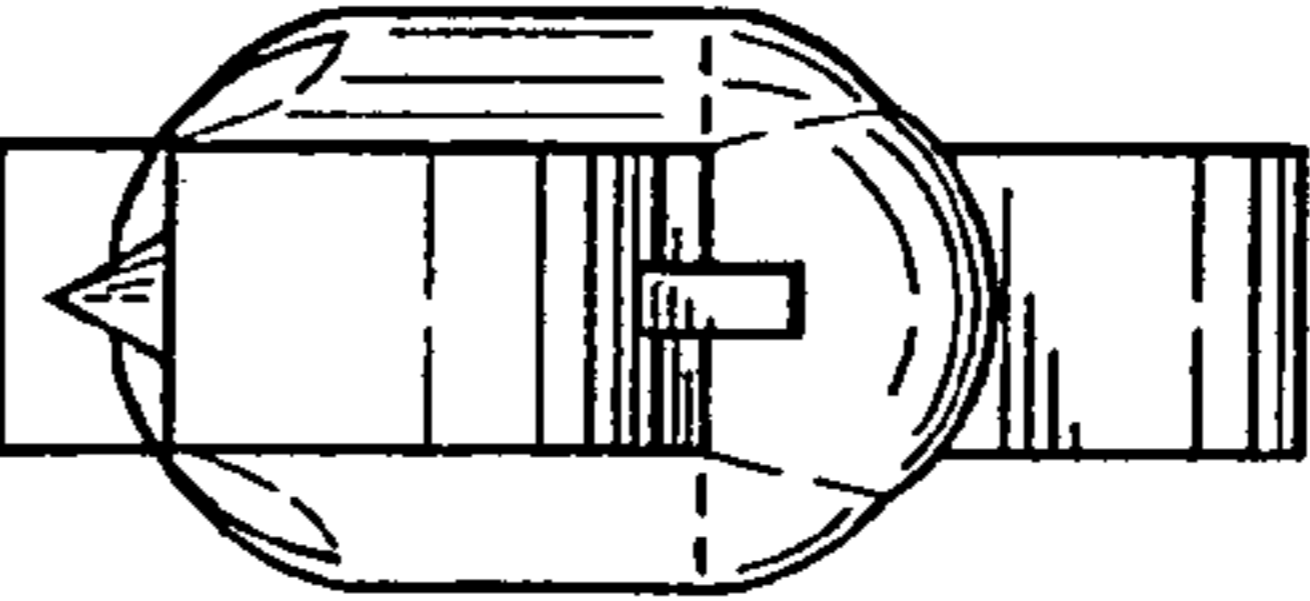


FIG. 3

FIG.5

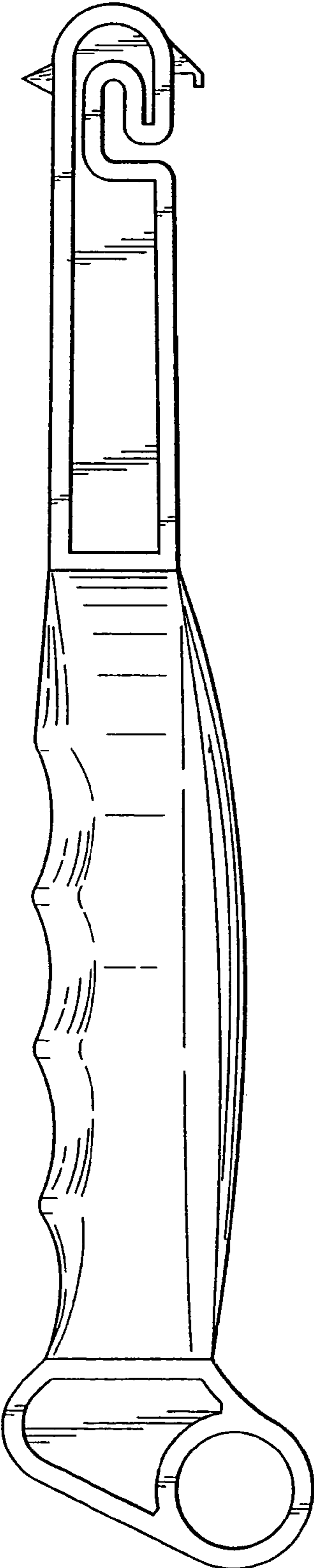


FIG.6

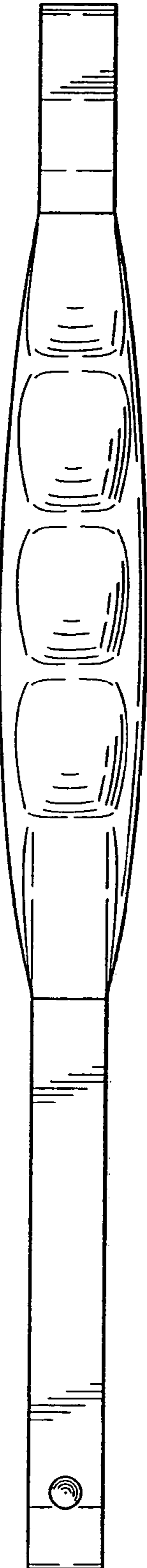


FIG.7

