



US00D571167S

(12) **United States Design Patent**  
**McCammon**

(10) **Patent No.:** **US D571,167 S**

(45) **Date of Patent:** **\*\* Jun. 17, 2008**

(54) **CUTTING BOARD**

(76) **Inventor:** **Donald L. McCammon**, 6658 Shadow  
Oak La., Orlando, FL (US) 32809

(\*\*) **Term:** **14 Years**

(21) **Appl. No.:** **29/294,950**

(22) **Filed:** **Feb. 5, 2008**

(51) **LOC (8) Cl.** ..... **07-04**

(52) **U.S. Cl.** ..... **D7/698**

(58) **Field of Classification Search** ..... D7/360,  
D7/388, 538, 554.2, 586, 637-638, 696, 698-699;  
D32/56-58; 99/446, 449; 269/13-15, 289 R,  
269/291, 297-298, 289 MR, 302.1, 315;  
294/172

See application file for complete search history.

(56) **References Cited**

**U.S. PATENT DOCUMENTS**

D225,764 S \* 1/1973 Duecker ..... D7/698  
D412,815 S \* 8/1999 Porter ..... D7/698  
D416,768 S \* 11/1999 Lisser et al. .... D7/698  
D467,733 S \* 12/2002 DiMartino ..... D3/304

6,702,273 B1 \* 3/2004 Sellers ..... 269/289 R  
D492,166 S \* 6/2004 Kaposi ..... D7/698  
D498,122 S \* 11/2004 Mayer ..... D7/698  
D543,423 S \* 5/2007 Benson ..... D7/698

\* cited by examiner

*Primary Examiner*—Caron D. Veynar

*Assistant Examiner*—Ricky Pham

(74) *Attorney, Agent, or Firm*—William M. Hobby, III

(57) **CLAIM**

The ornamental design for a cutting board, as shown.

**DESCRIPTION**

FIG. 1 is a top, left side perspective of my new cutting board;

FIG. 2 is a left side elevation;

FIG. 3 is a right side elevation;

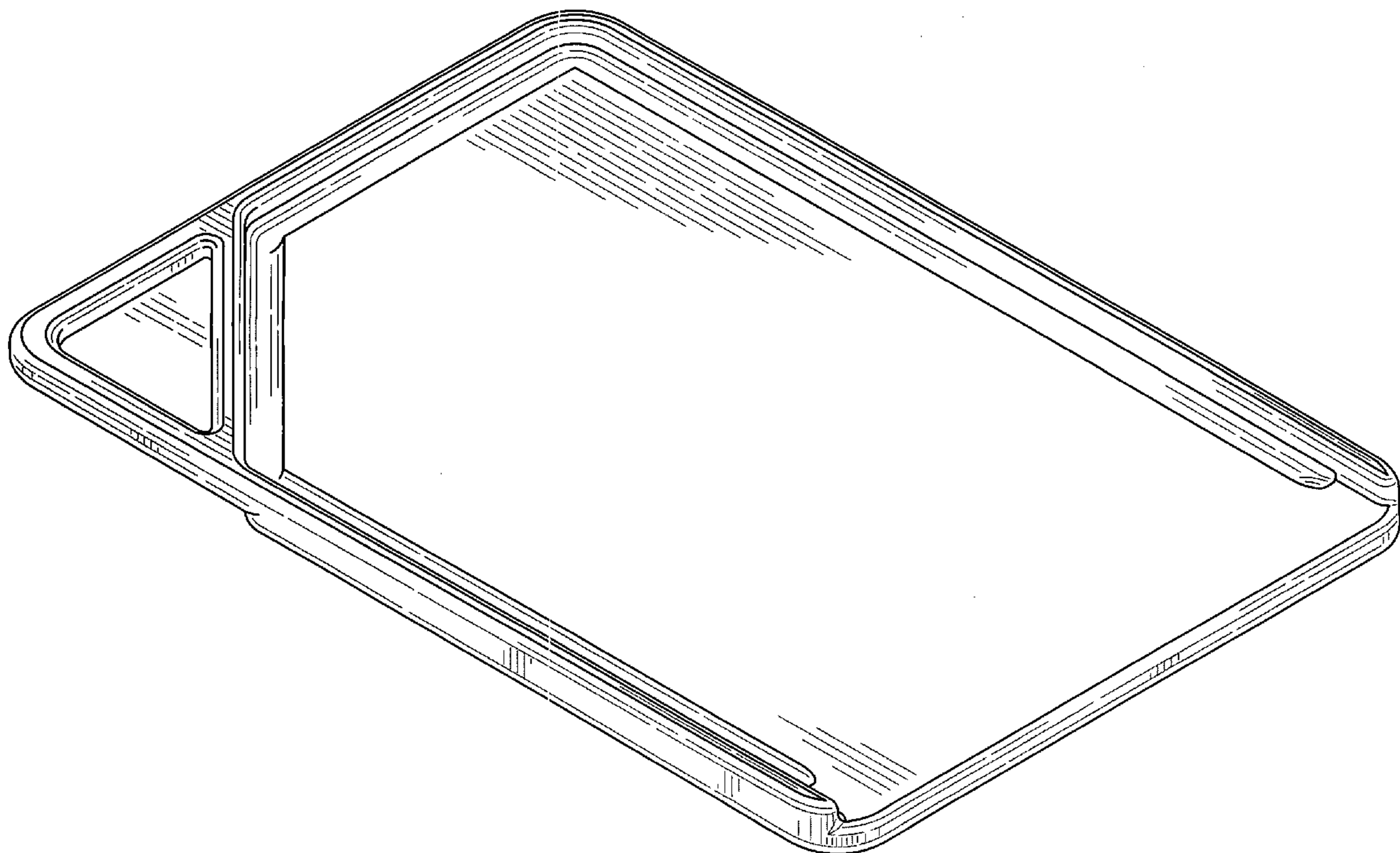
FIG. 4 is a front side elevation;

FIG. 5 is a rear side elevation;

FIG. 6 is a top plan view; and,

FIG. 7 is a bottom plan view.

**1 Claim, 4 Drawing Sheets**



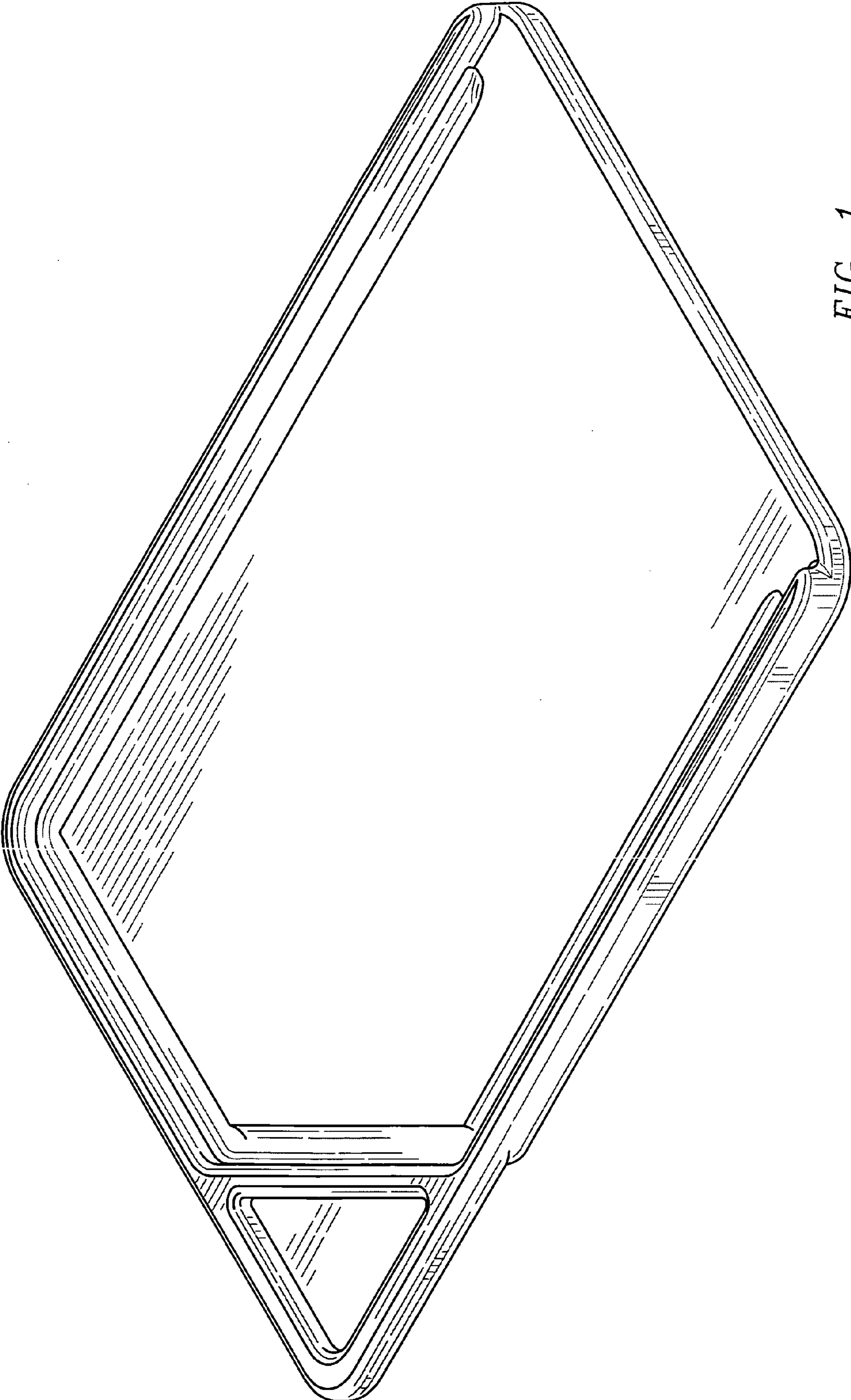


FIG. 1



FIG. 2



FIG. 3

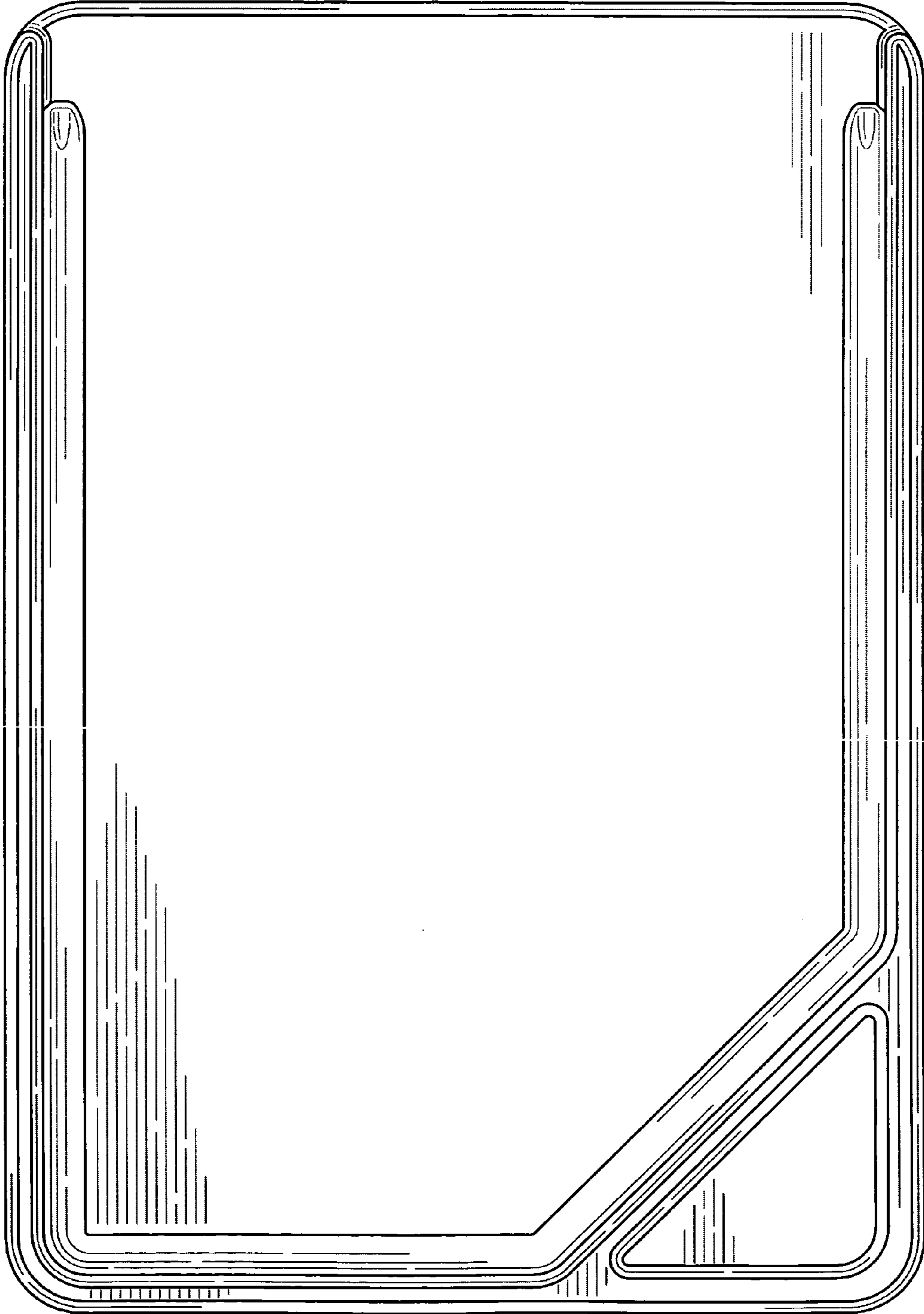


FIG. 4



FIG. 5

FIG. 6



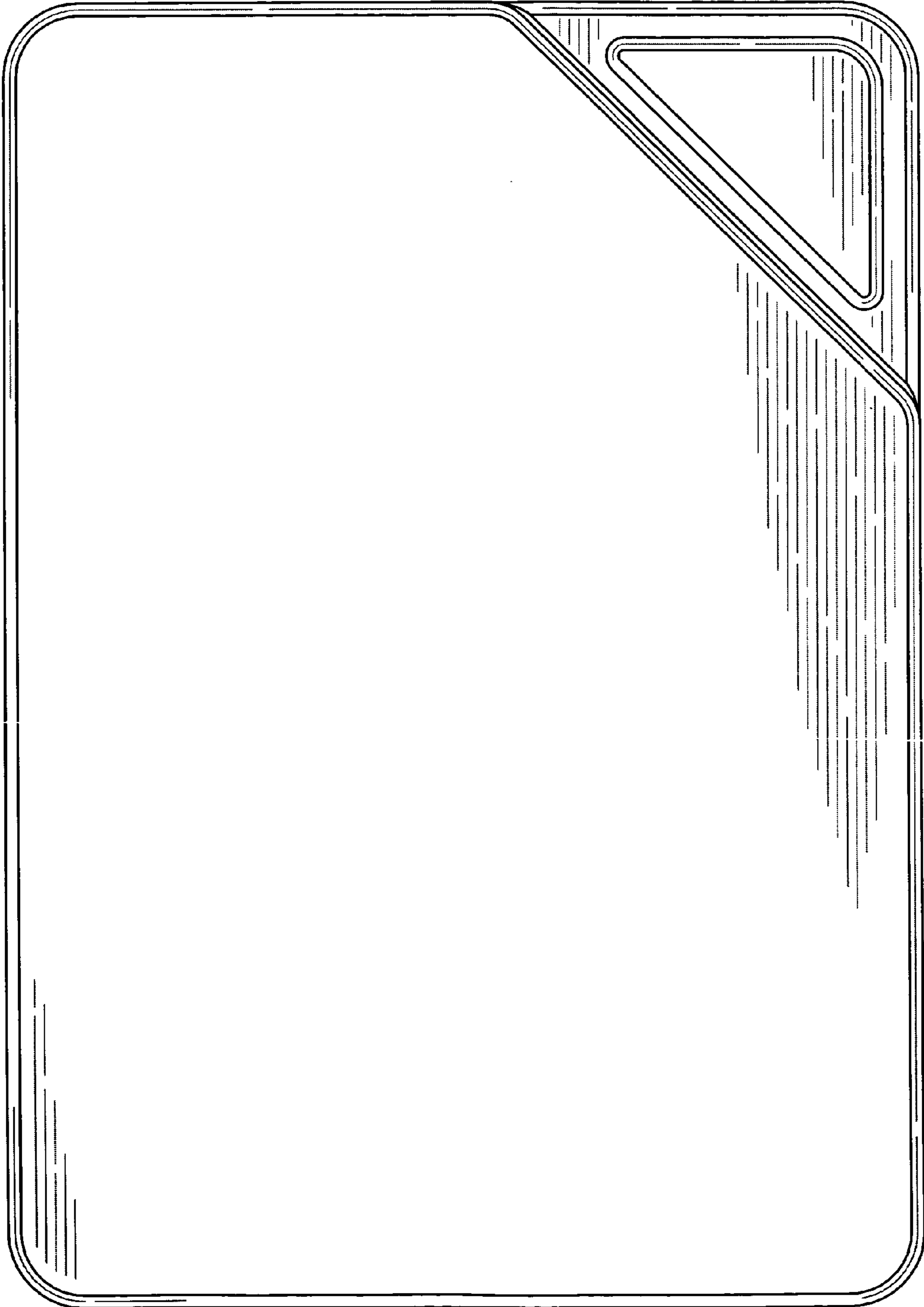


FIG. 7