



US00D571165S

(12) **United States Design Patent**
Silver et al.

(10) **Patent No.:** **US D571,165 S**
(45) **Date of Patent:** **** Jun. 17, 2008**

(54) **EGG SEPARATOR**

6,915,735 B1 * 7/2005 So 99/499

(75) Inventors: **Michael I. Silver**, New York, NY (US);
Wendy L. Silver, New York, NY (US)

* cited by examiner

(73) Assignee: **Wenco, L.L.C.**, Mount Kisco, NY (US)

Primary Examiner—Terry A Wallace

(**) Term: **14 Years**

(74) *Attorney, Agent, or Firm*—Fitzpatrick Cella Harper & Scinto

(21) Appl. No.: **29/280,057**

(57) **CLAIM**

(22) Filed: **May 15, 2007**

The ornamental design for an egg separator, as shown and described.

(51) **LOC (8) Cl.** **07-04**

(52) **U.S. Cl.** **D7/667**

(58) **Field of Classification Search** D7/667,
D7/647, 653, 682–696; 30/324–328, 120.1;
99/495–500, 567, 568

See application file for complete search history.

DESCRIPTION

FIG. 1 is a perspective view of an egg separator according to an embodiment of our invention;

FIG. 2 is a left side view of the egg separator of FIG. 1;

FIG. 3 is a right side view of the egg separator of FIG. 1;

FIG. 4 is a back view of the egg separator of FIG. 1;

FIG. 5 is a front view of the egg separator of FIG. 1;

FIG. 6 is a top view of the egg separator of FIG. 1; and,

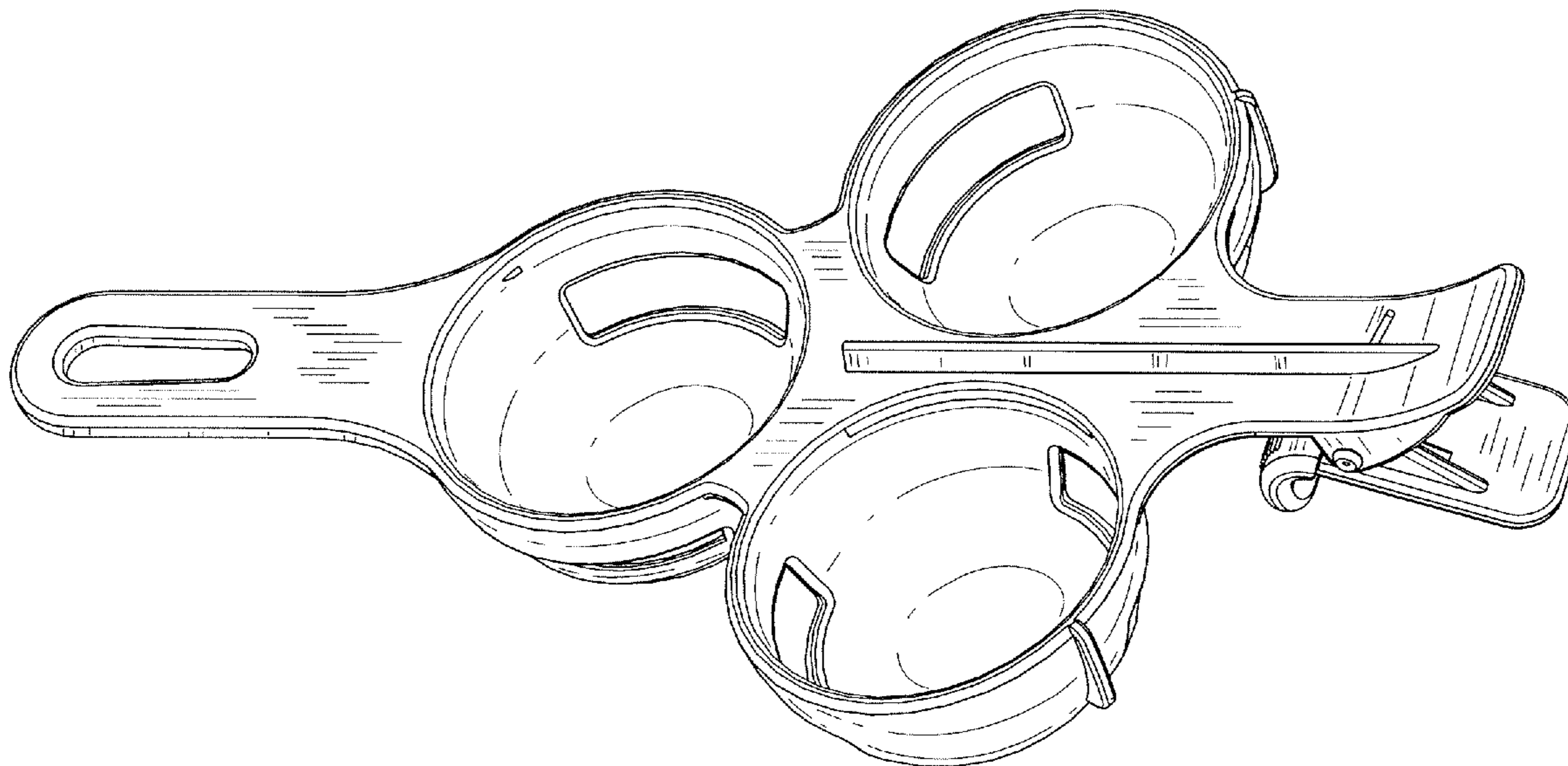
FIG. 7 is a bottom view of the egg separator of FIG. 1.

(56) **References Cited**

U.S. PATENT DOCUMENTS

2,212,502	A *	8/1940	Leahey	99/499
2,430,156	A *	11/1947	Byers	99/499
5,784,953	A *	7/1998	Wang	99/499
D498,986	S *	11/2004	So	D7/667

1 Claim, 5 Drawing Sheets



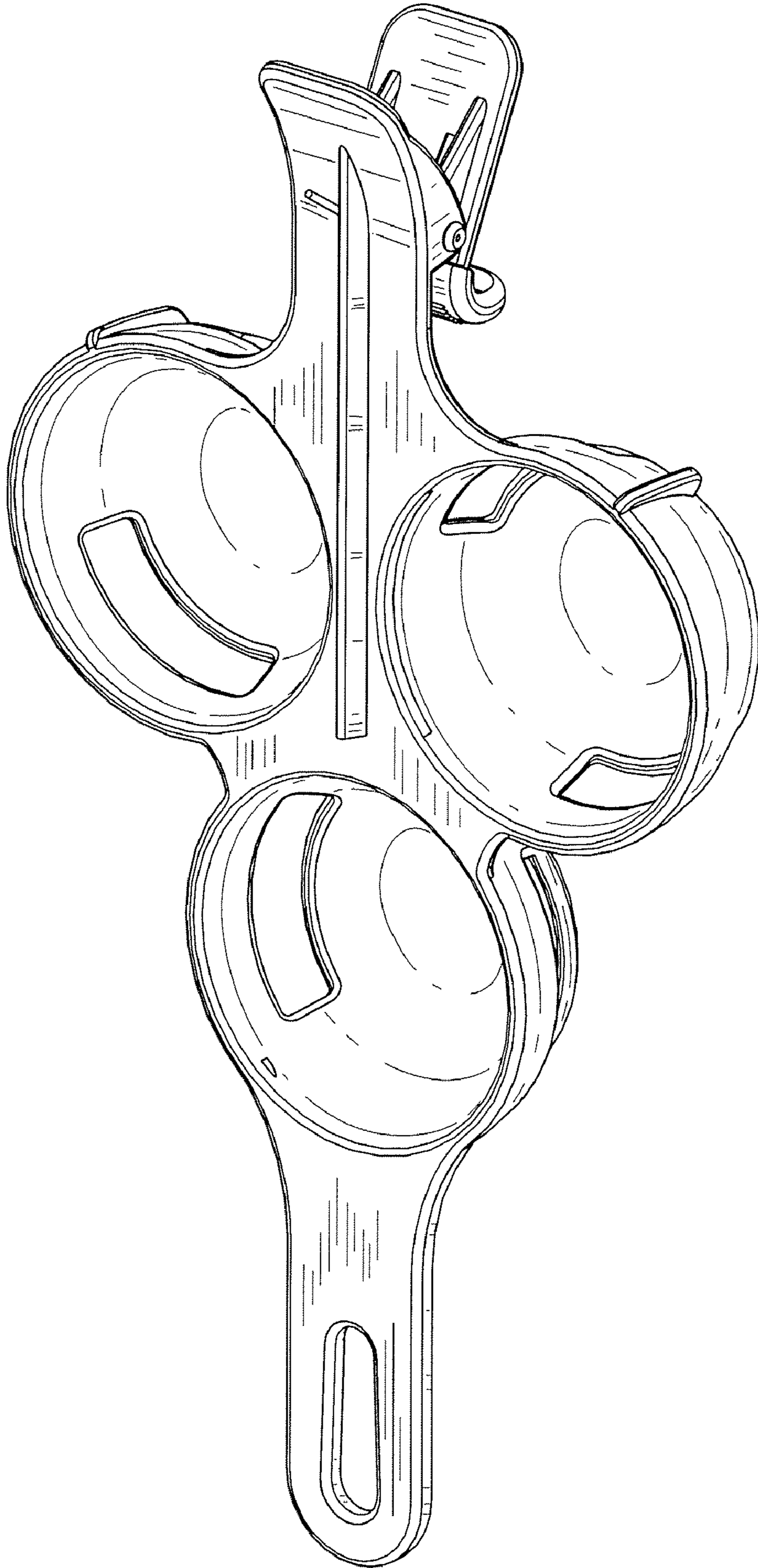


FIG. 1

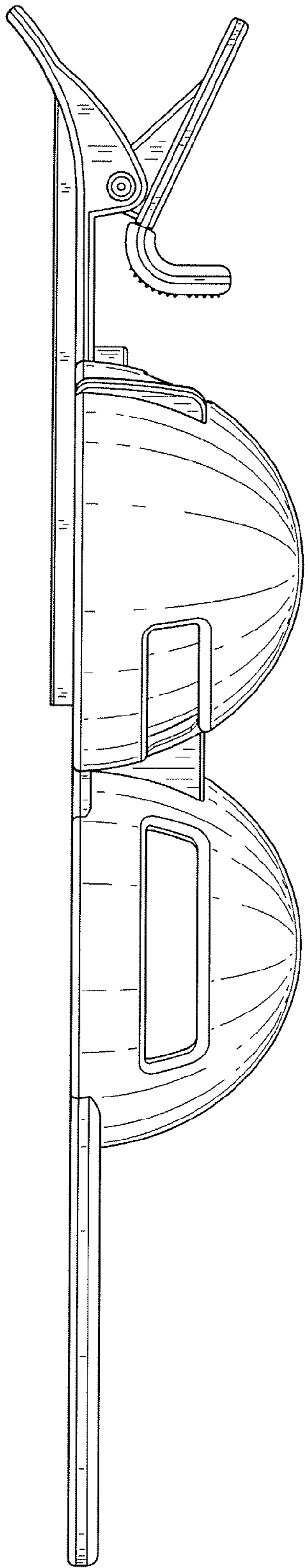


FIG. 2

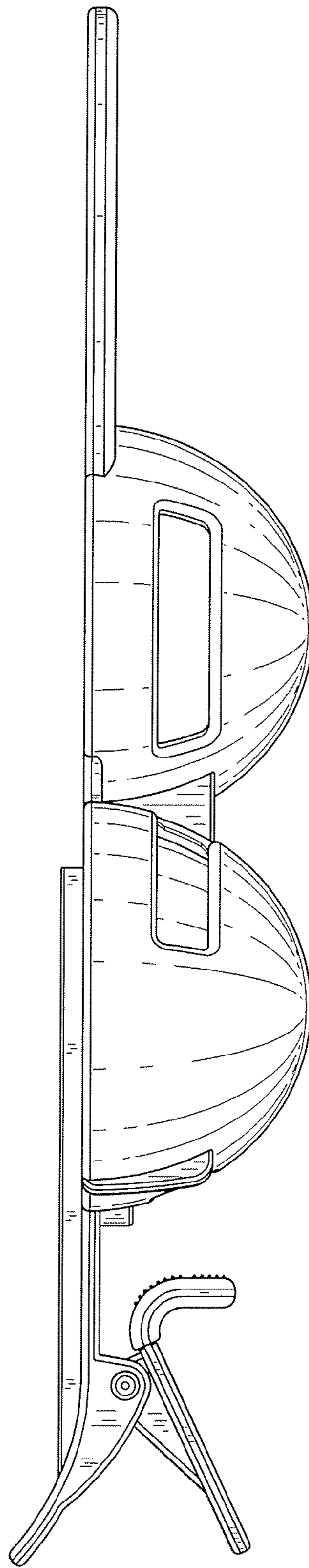


FIG. 3

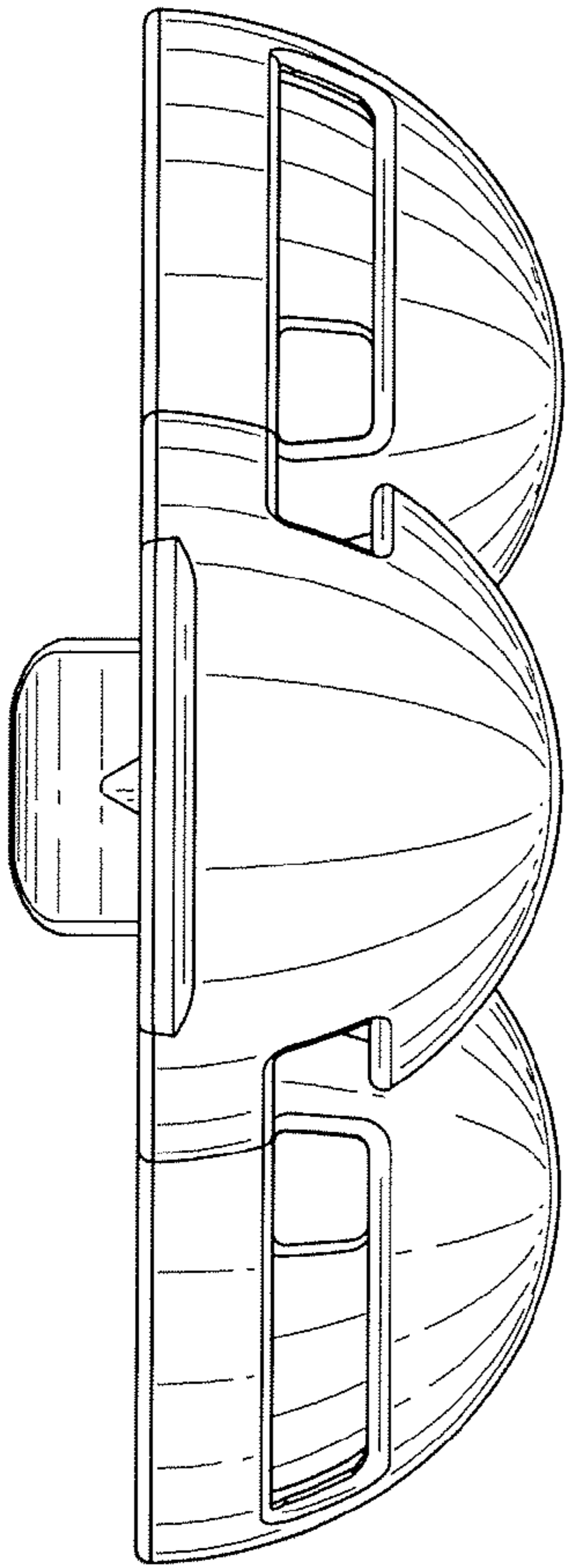


FIG. 4

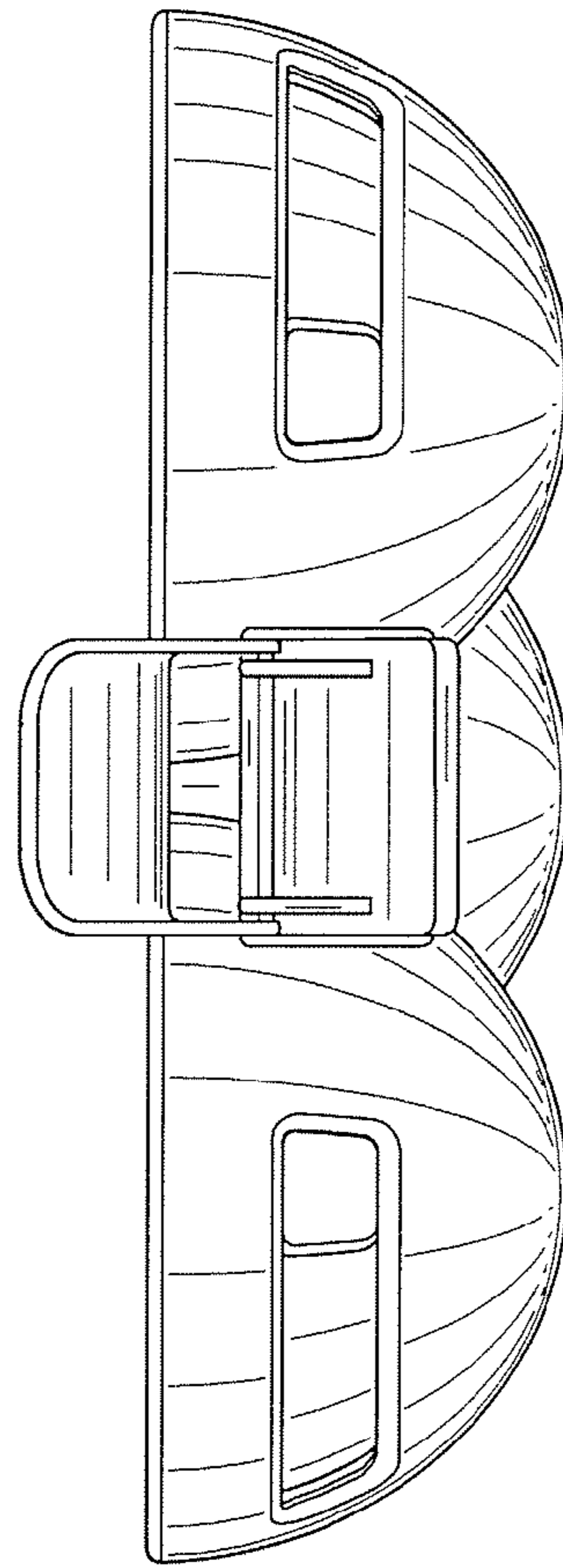


FIG. 5

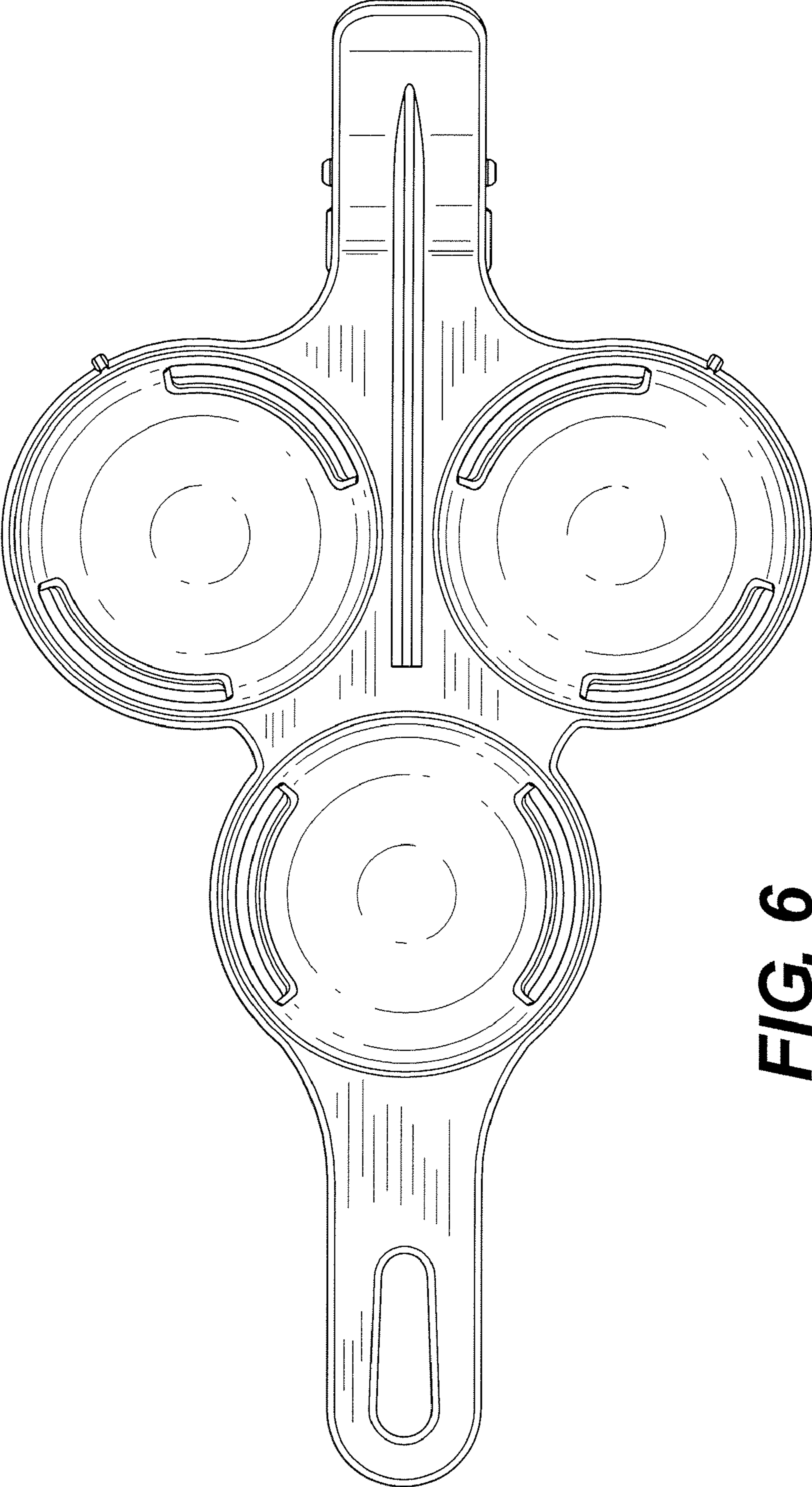


FIG. 6

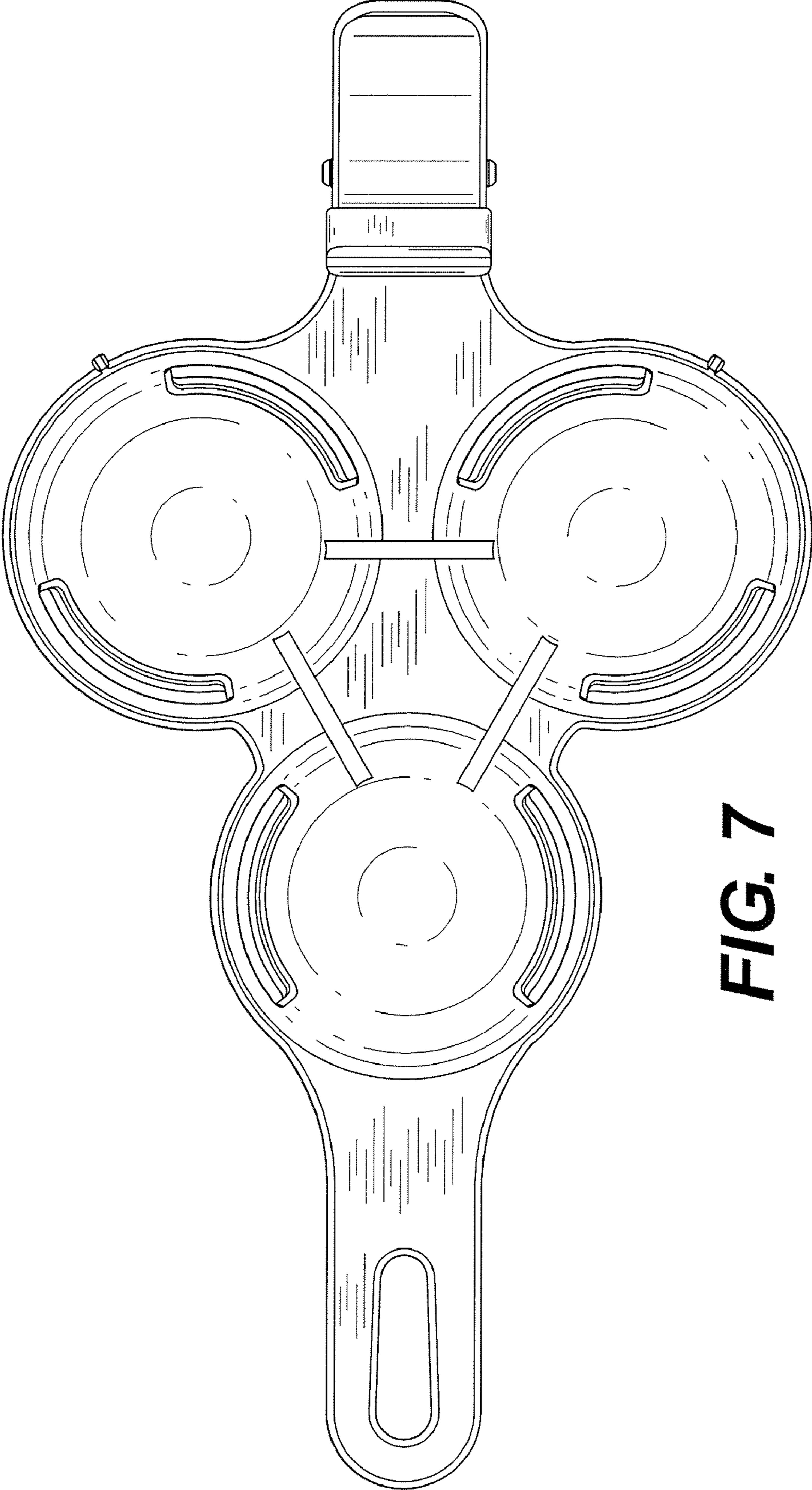


FIG. 7