



US00D571164S

(12) **United States Design Patent**  
**Yelland**

(10) **Patent No.:** **US D571,164 S**  
(45) **Date of Patent:** **\*\* Jun. 17, 2008**

(54) **BOTTLE STRAINER**

(75) Inventor: **William Yelland**, Brampton (CA)

(73) Assignee: **Sun Coast Merchandise Corporation**,  
Commerce, CA (US)

(\*\*) Term: **14 Years**

(21) Appl. No.: **29/275,801**

(22) Filed: **Jan. 5, 2007**

(51) **LOC (8) Cl.** ..... **07-04**

(52) **U.S. Cl.** ..... **D7/667; D9/447**

(58) **Field of Classification Search** ..... D7/667,  
D7/396.2; D9/447, 434; 220/703, 704, 711,  
220/712, 716; 210/469; 215/386, 387, 388,  
215/355, 253; 222/564, 547

See application file for complete search history.

(56) **References Cited**

**U.S. PATENT DOCUMENTS**

4,366,914	A *	1/1983	Ingram	.....	220/713
D286,268	S *	10/1986	Wolff	.....	D9/447
D318,777	S *	8/1991	Freese	.....	D7/392
5,749,491	A *	5/1998	Wylder et al.	.....	220/719
6,076,450	A *	6/2000	DiGiorgio, Jr.	.....	99/298
6,247,600	B1 *	6/2001	Sullivan, Jr.	.....	210/469

D494,470	S *	8/2004	Guyot	.....	D9/447
D509,135	S *	9/2005	Guyot	.....	D9/447
D537,675	S *	3/2007	Khalifa	.....	D7/392.1
2003/0209512	A1 *	11/2003	Guyot	.....	215/355

\* cited by examiner

*Primary Examiner*—Terry A Wallace

(74) *Attorney, Agent, or Firm*—The Soni Law Firm

(57) **CLAIM**

The ornamental design for a bottle strainer, as shown and described.

**DESCRIPTION**

FIG. 1 is a front side perspective view of my new design with the phantom lines depicting environmental structure and forming no part of the claimed design;

FIG. 2 is a back side perspective view thereof;

FIG. 3 is a back elevational view thereof;

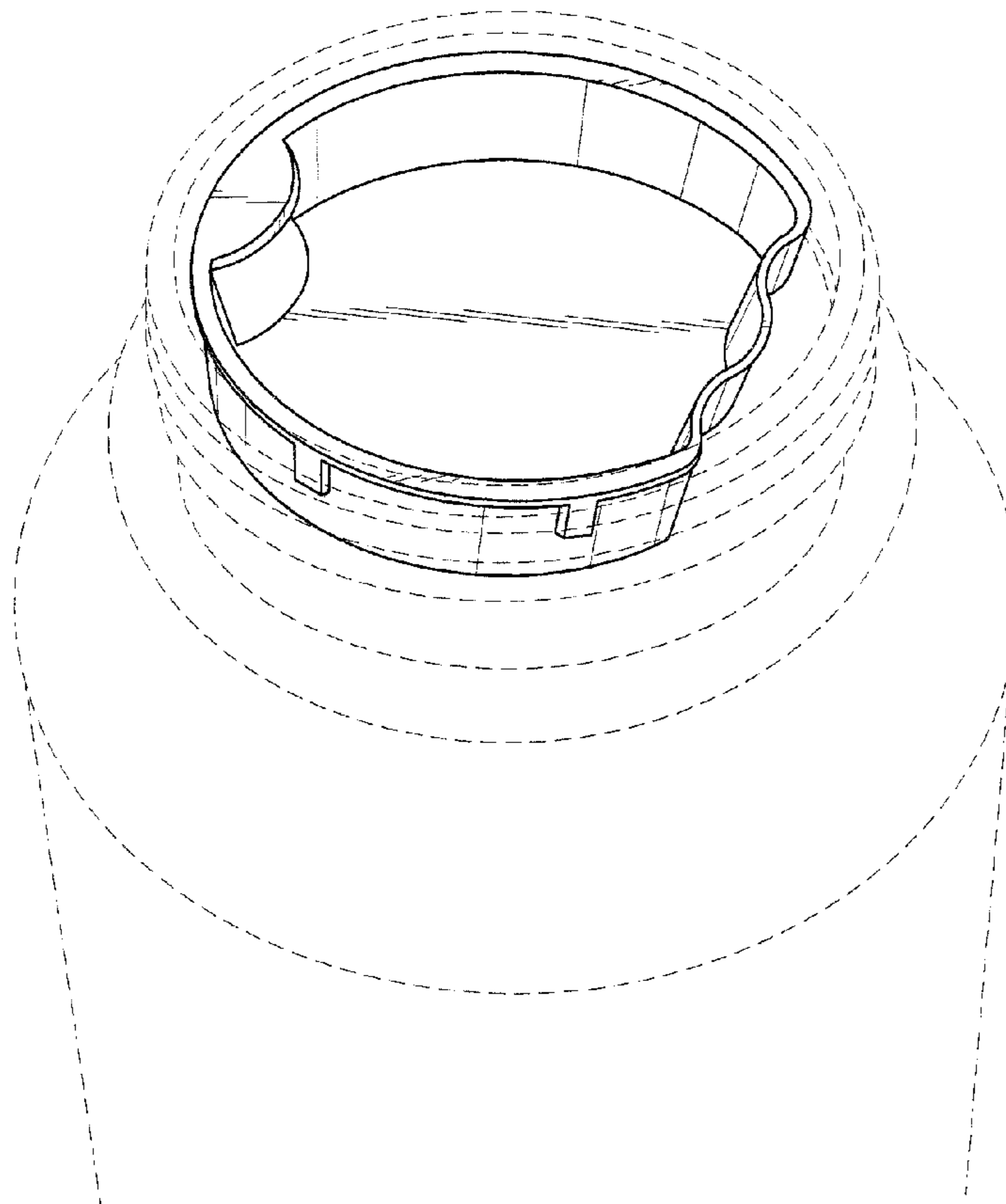
FIG. 4 is a front elevational view thereof;

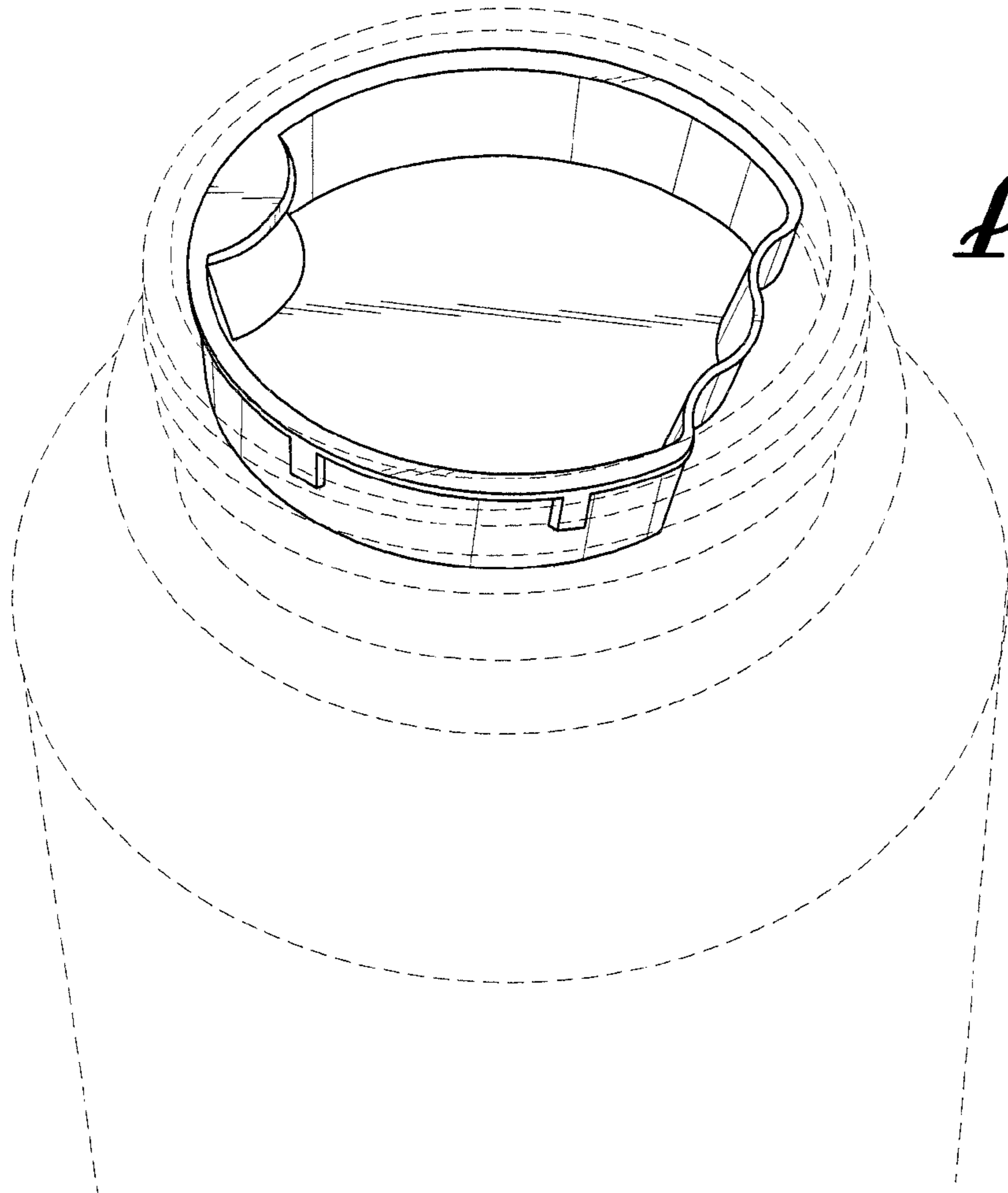
FIG. 5 is a left side view thereof which is a mirror image of the right side thereof;

FIG. 6 is a bottom plan view thereof; and,

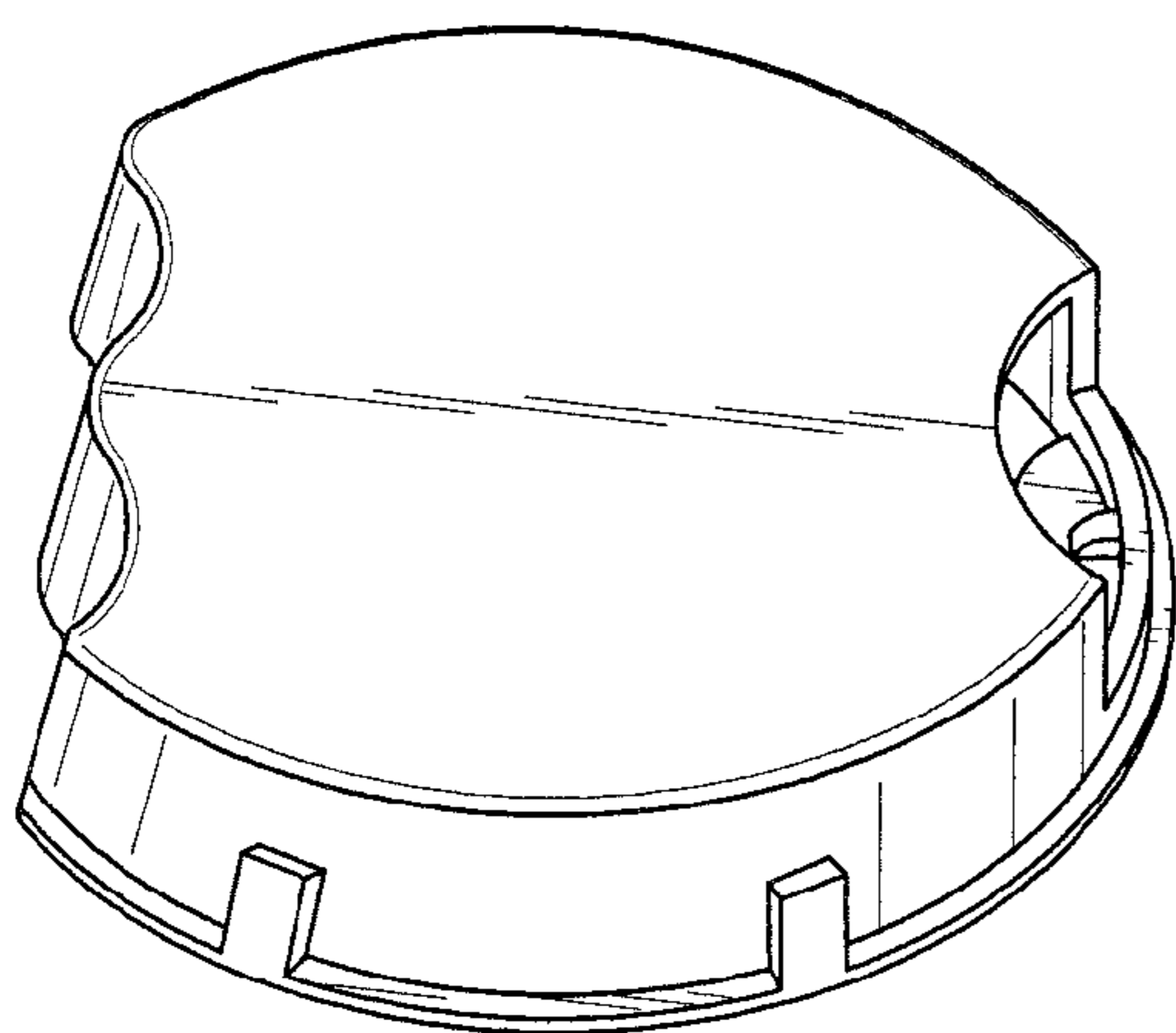
FIG. 7 is a top plan view thereof.

**1 Claim, 2 Drawing Sheets**

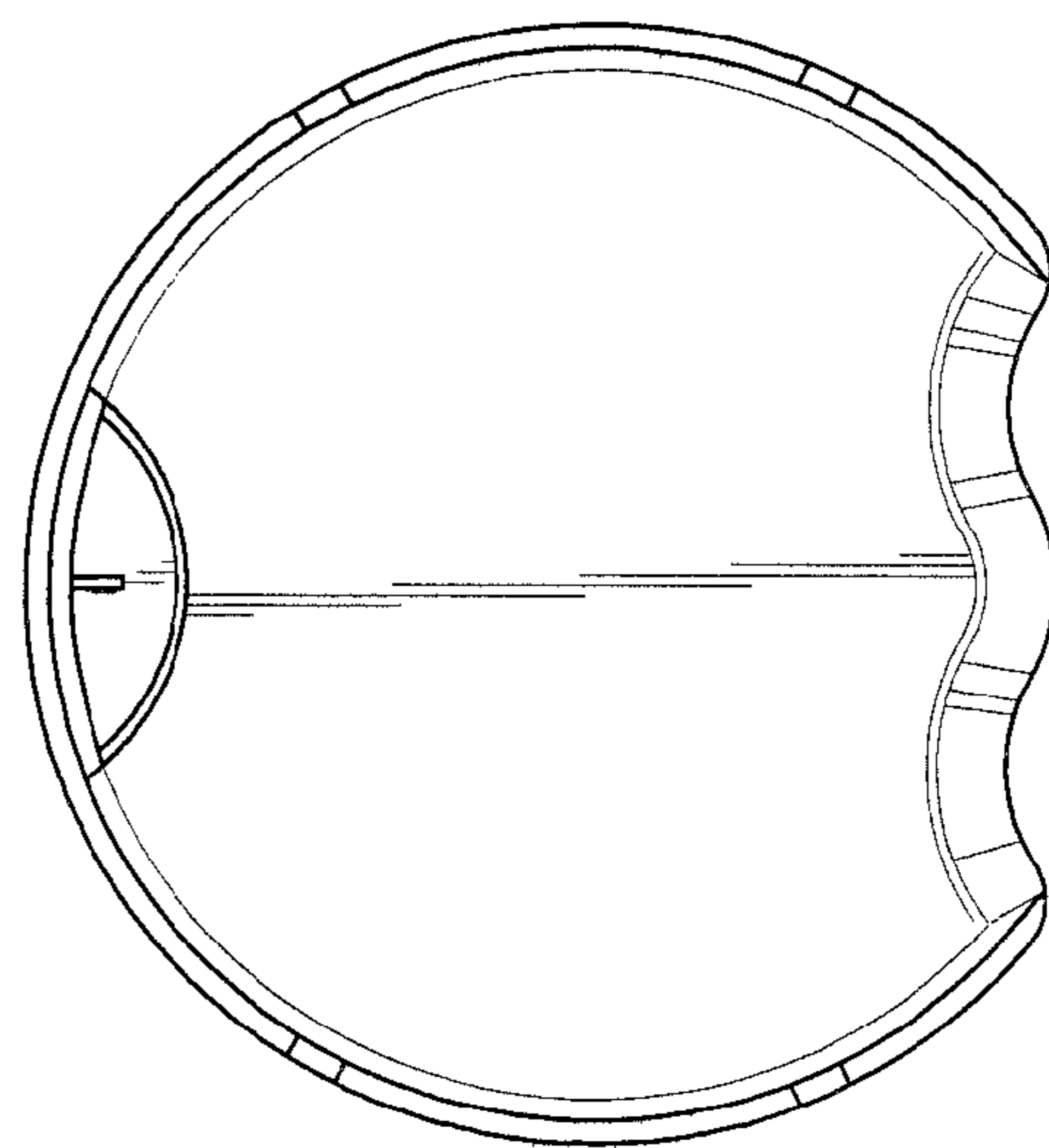




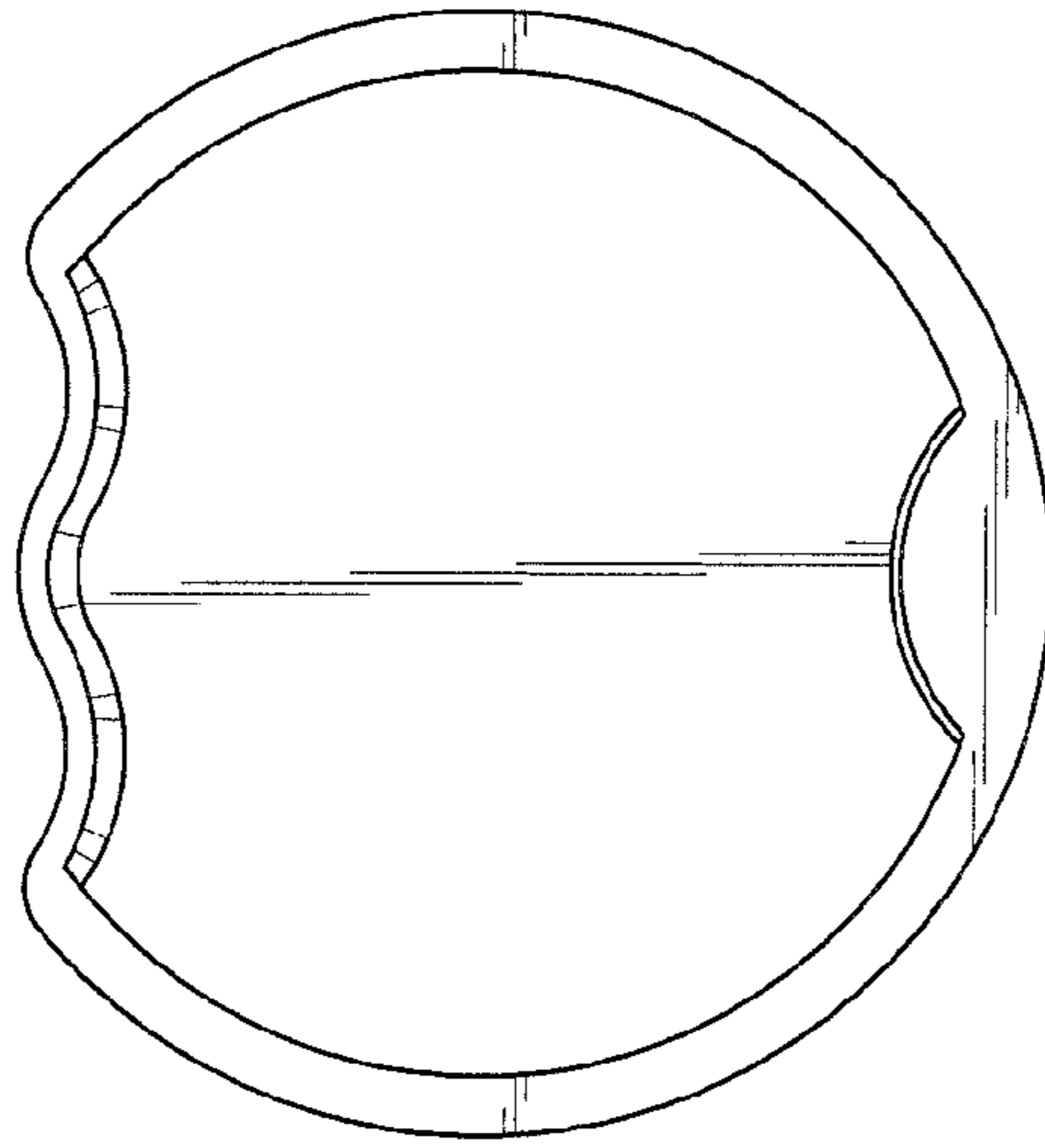
*FIG. 1*



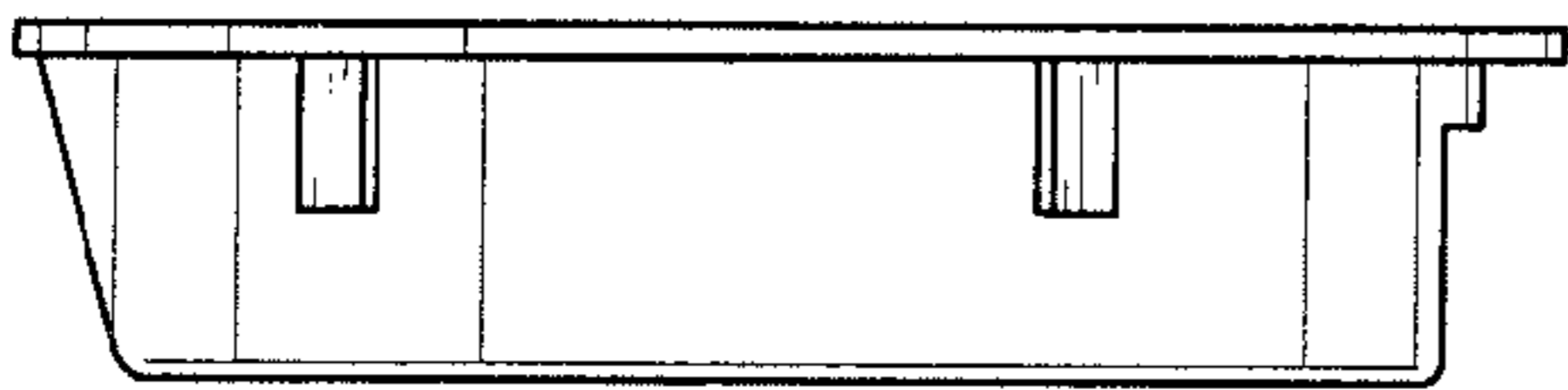
*FIG. 2*



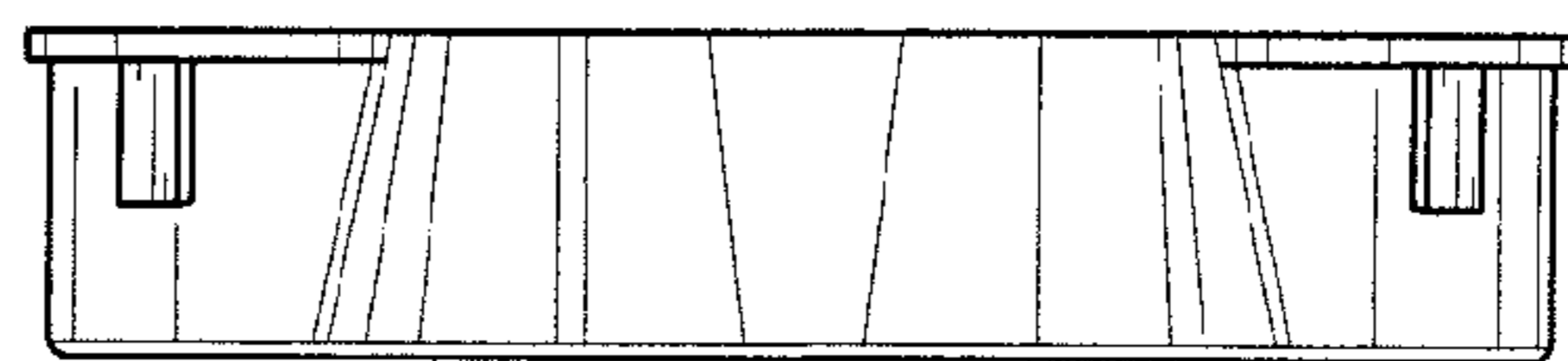
*FIG. 3*



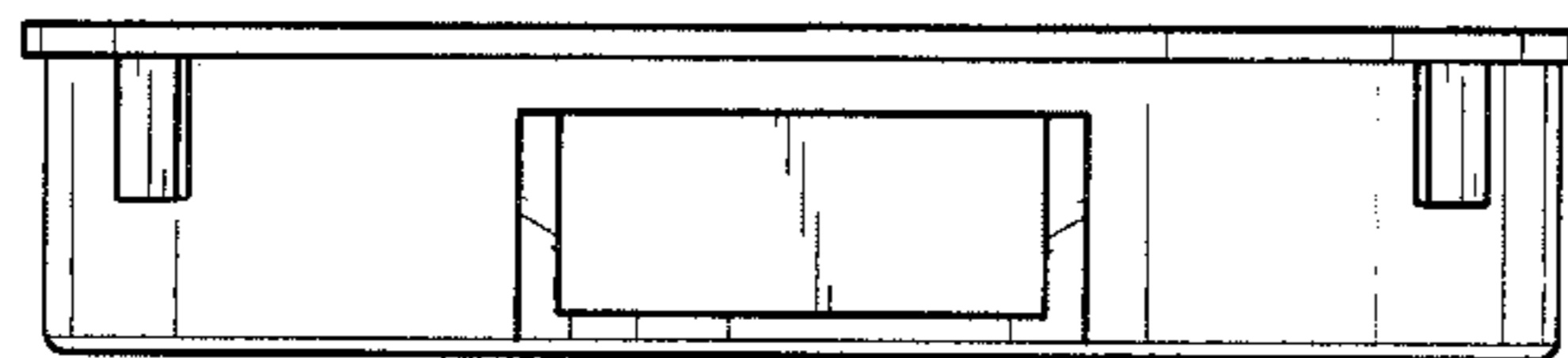
*FIG. 4*



*FIG. 5*



*FIG. 6*



*FIG. 7*