



US00D571161S

(12) **United States Design Patent**
Snider

(10) **Patent No.:** **US D571,161 S**
(45) **Date of Patent:** **** Jun. 17, 2008**

(54) **DRAWER ORGANIZER FOR EATING UTENSILS**

6,467,622 B1 * 10/2002 Hull 206/553
D527,229 S * 8/2006 Joy D7/637

(75) Inventor: **Martin Snider**, New City, NY (US)

* cited by examiner

(73) Assignee: **MSA Products, Inc.**, Nyack, NY (US)

Primary Examiner—Terry A Wallace

(**) Term: **14 Years**

(74) *Attorney, Agent, or Firm*—Gerald E. Hespos; Anthony J. Casella

(21) Appl. No.: **29/288,055**

(57) **CLAIM**

(22) Filed: **May 29, 2007**

The ornamental design for a drawer organizer for eating utensils, as shown and described.

(51) **LOC (8) Cl.** **07-06**

(52) **U.S. Cl.** **D7/637; D3/304; D3/313**

(58) **Field of Classification Search** D7/637–641,
D7/550.1, 553.1, 553.2; 220/574–575; 211/85.31,
211/126.9, 60.1, 70.1, 70.6, 70.7; D3/304,
D3/313, 314; D19/75, 77, 78, 81–83, 86,
D19/92; D6/510, 462; 206/553, 557, 562,
206/564

DESCRIPTION

See application file for complete search history.

FIG. 1 is a perspective view of a drawer organizer for eating utensils in accordance with my design;

FIG. 2 is a top plan view of the drawer organizer for eating utensils;

FIG. 3 is a left side elevational view thereof, with the right side elevational view being substantially identical a mirror image thereof;

FIG. 4 is a front elevational view thereof, with the rear elevational view being a mirror image thereof; and,

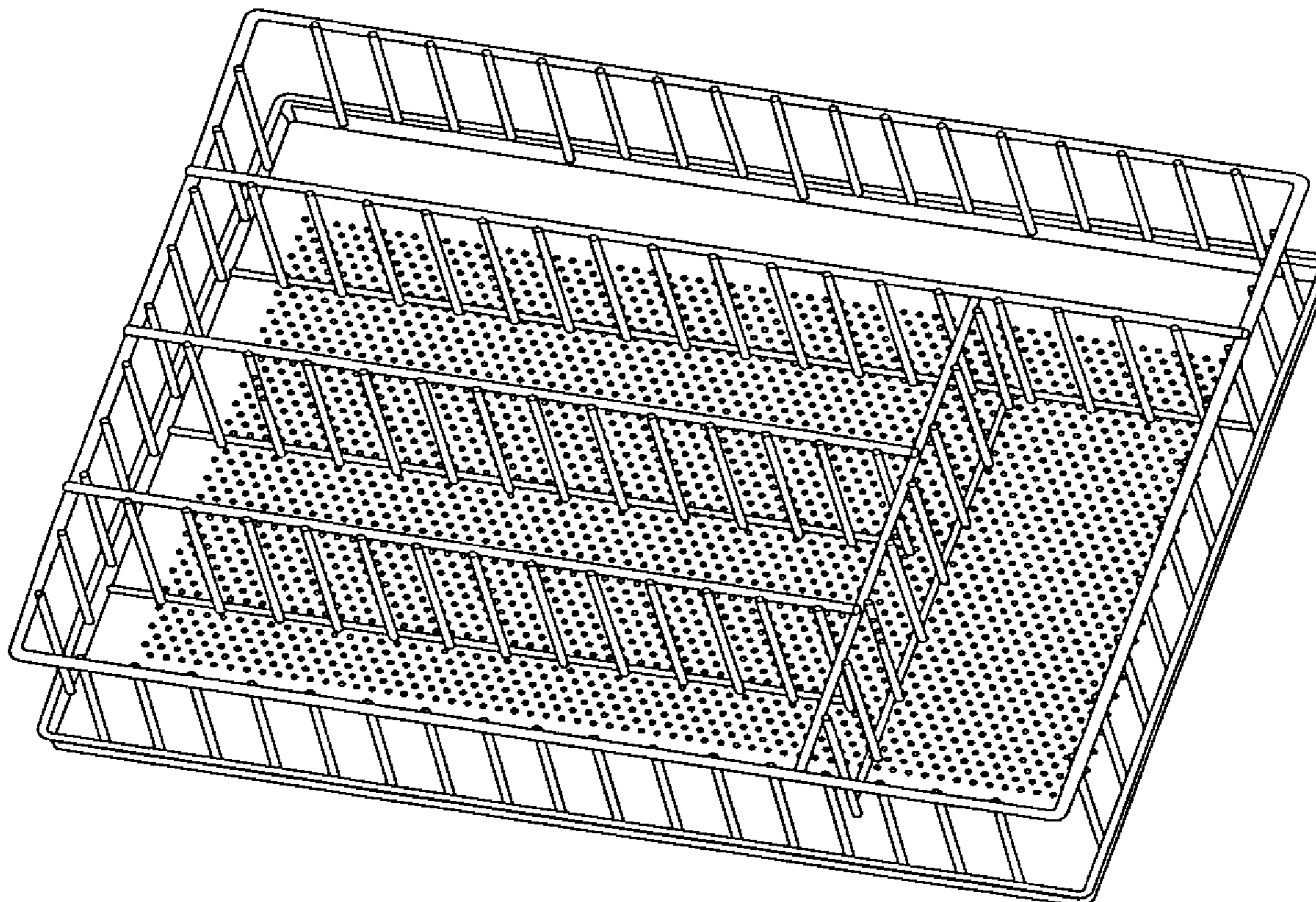
FIG. 5 is a bottom plan view.

(56) **References Cited**

U.S. PATENT DOCUMENTS

- D433,711 S * 11/2000 Andujar D19/78
- D434,074 S * 11/2000 Hardy D19/75
- D450,453 S * 11/2001 Andujar D3/306

1 Claim, 1 Drawing Sheet



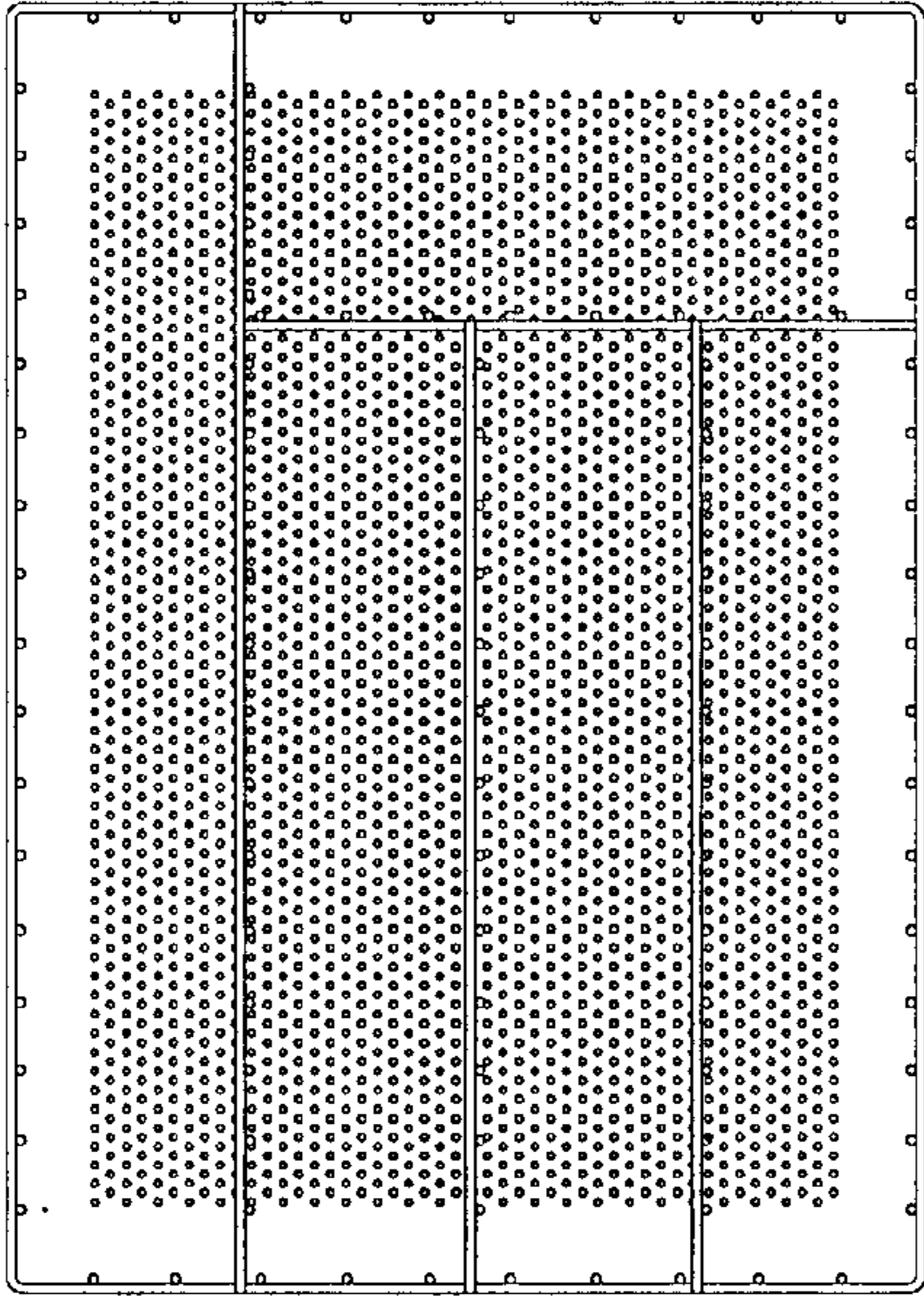


FIG. 2

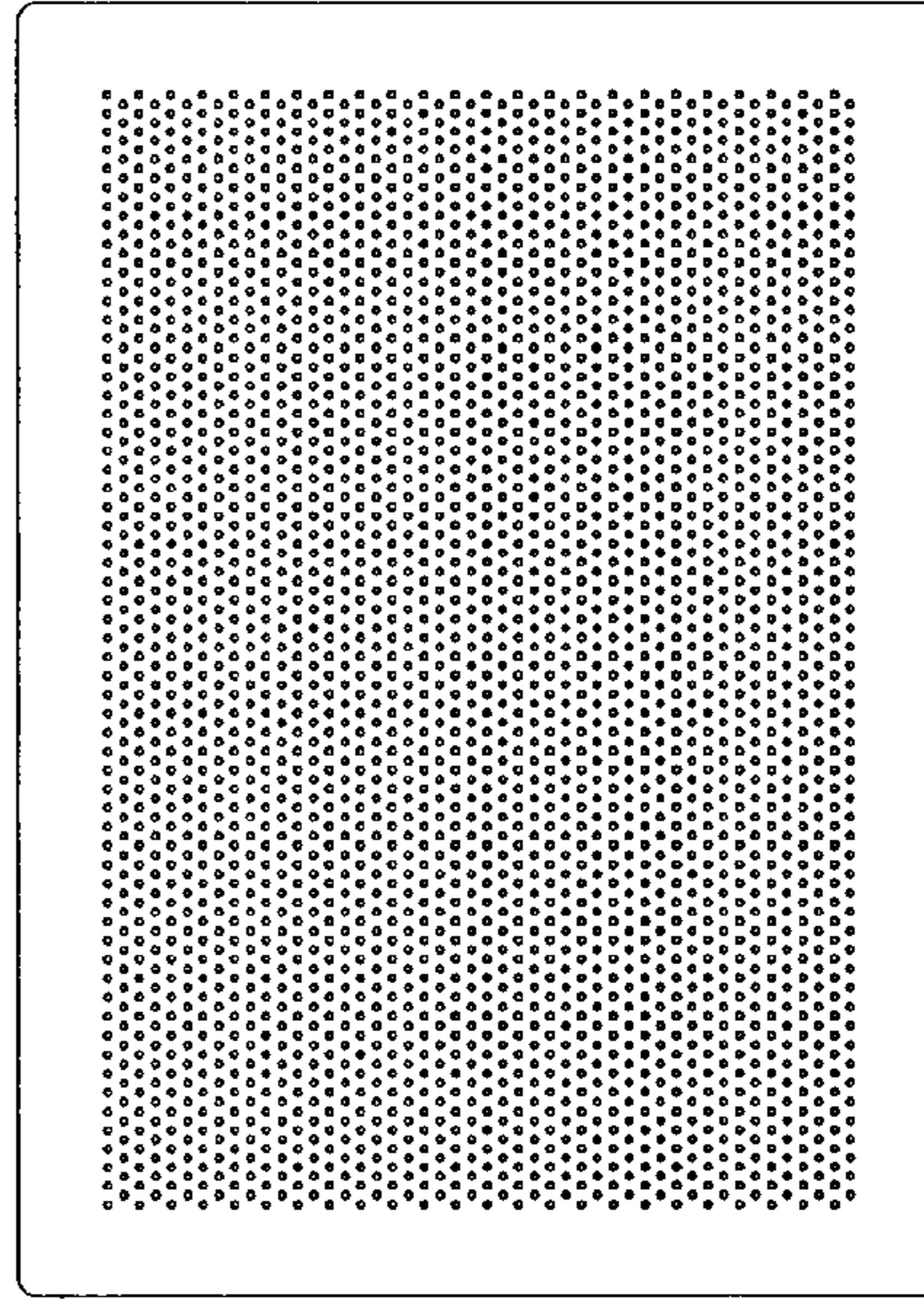


FIG. 5

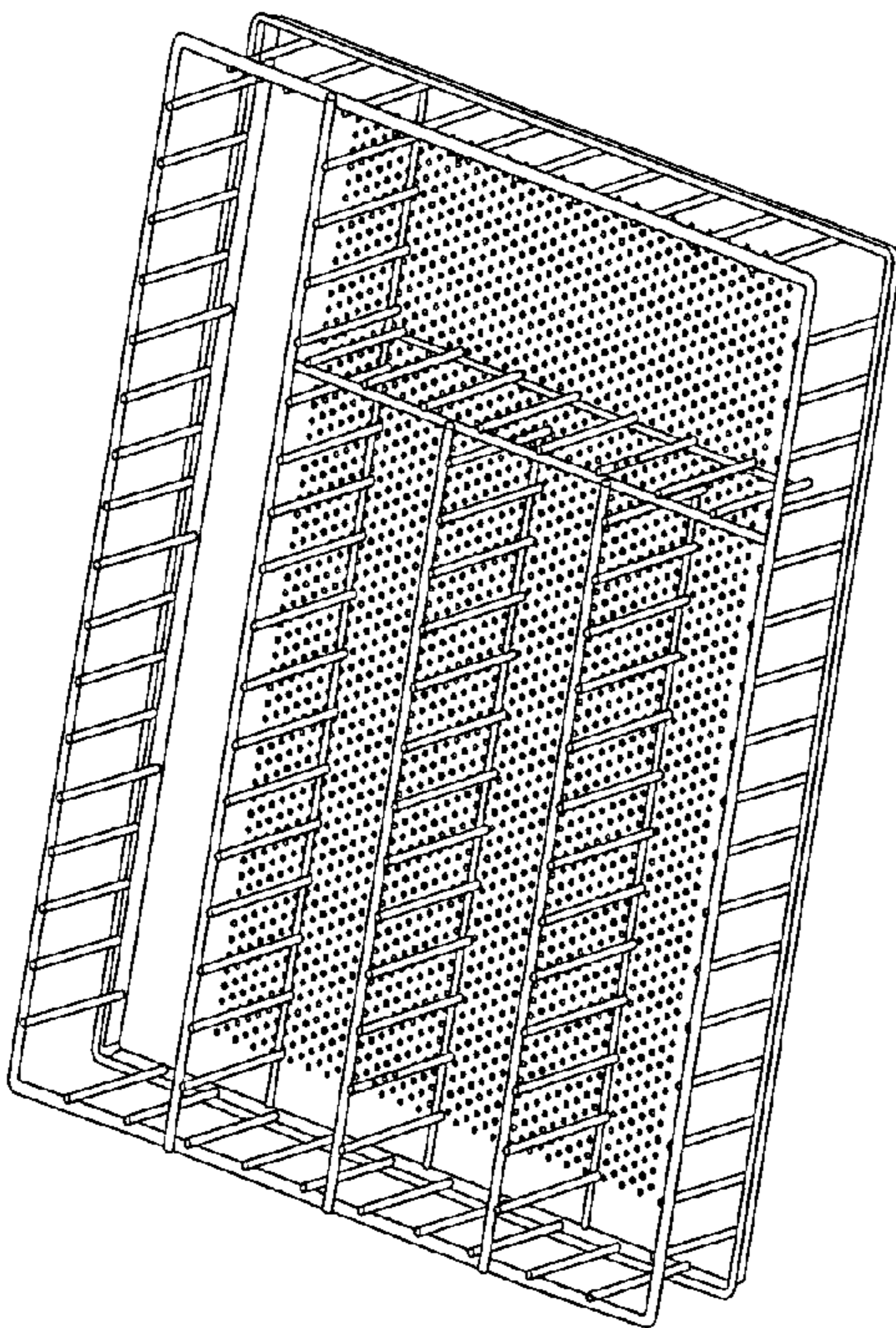


FIG. 1

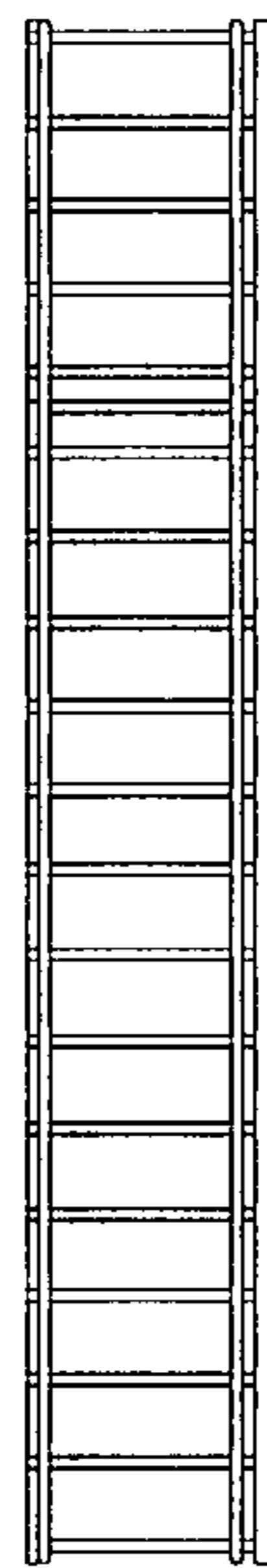


FIG. 3

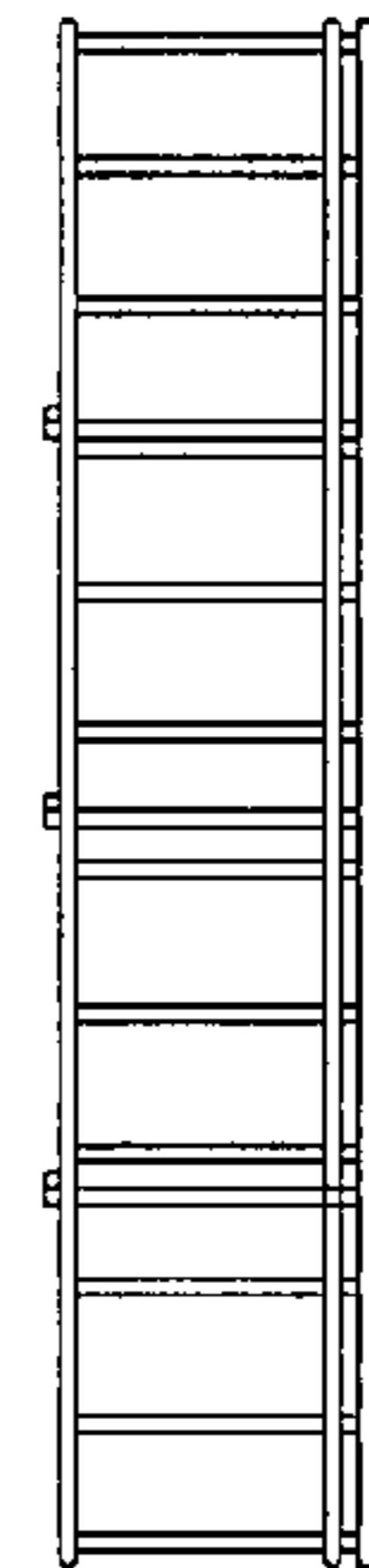


FIG. 4