

US00D571160S

(12) **United States Design Patent**  
**Goodman et al.**

(10) **Patent No.:** **US D571,160 S**  
(45) **Date of Patent:** **\*\* Jun. 17, 2008**

(54) **NAPKIN HOLDER**

(75) Inventors: **Sheldon H. Goodman**, Solon, OH  
(US); **Omer I. Sazir**, Cleveland, OH  
(US)

(73) Assignee: **Spectrum Diversified Designs, Inc.**,  
Streetsboro, OH (US)

(\*\*) Term: **14 Years**

(21) Appl. No.: **29/297,447**

(22) Filed: **Nov. 12, 2007**

(51) **LOC (8) Cl.** ..... **07-06**

(52) **U.S. Cl.** ..... **D7/631**

(58) **Field of Classification Search** ..... D7/631-634,  
D7/704; D6/474, 462, 475, 566, 567; D19/65,  
D19/75, 77, 78, 85, 86, 90, 91; 211/13.1,  
211/45, 50, 51, 56, 59.2, 181.1  
See application file for complete search history.

(56) **References Cited**

**U.S. PATENT DOCUMENTS**

470,050 A \* 3/1892 Jewell ..... 402/20  
D313,905 S \* 1/1991 Yau Kee ..... D6/462  
D338,357 S \* 8/1993 Dworkin ..... D6/462  
D353,400 S \* 12/1994 Goodman et al. .... D19/90  
D376,058 S \* 12/1996 Fard ..... D6/462

D390,269 S \* 2/1998 Fotioo ..... D19/90  
D405,322 S \* 2/1999 Goodman et al. .... D7/631  
D421,273 S \* 2/2000 Goodman et al. .... D19/90  
D526,858 S \* 8/2006 Goodman et al. .... D7/631

\* cited by examiner

*Primary Examiner*—Terry A Wallace

(74) *Attorney, Agent, or Firm*—Pearne & Gordon LLP

(57) **CLAIM**

The ornamental design for a napkin holder, as shown and described.

**DESCRIPTION**

FIG. 1 is a perspective view of a napkin holder, showing our new design;

FIG. 2 is a front elevational view thereof;

FIG. 3 is a side elevational view thereof; and,

FIG. 4 is a perspective view of a second embodiment of a napkin holder, wherein the broken lines in each base element indicates that the specific width of the element and the specific width of the napkin holder do not form part of the design, and the broken segments of the opposed ends of the ring elements indicate that the specific spacing, including no spacing, between the opposed ends does not form part of the design.

**1 Claim, 2 Drawing Sheets**

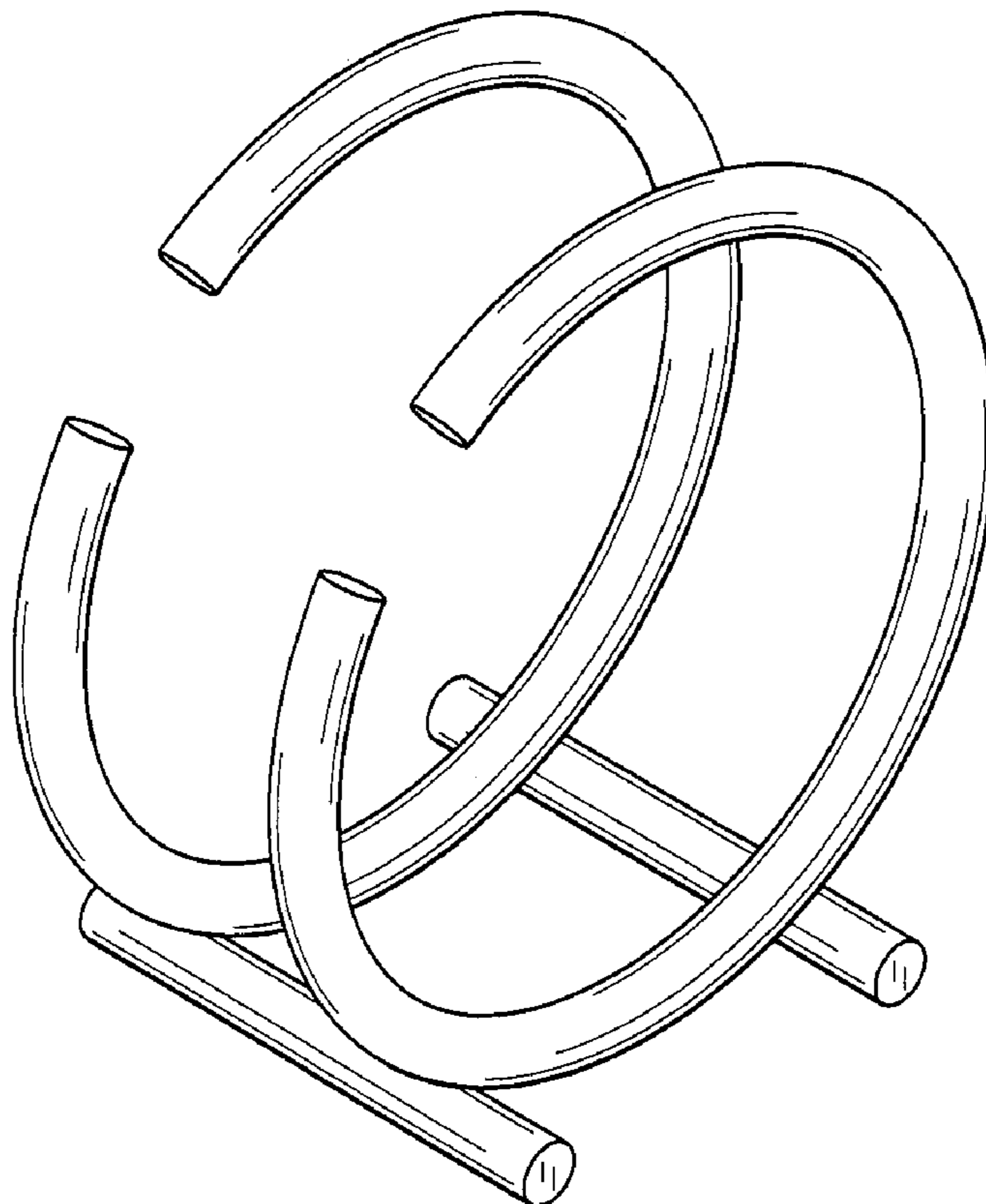


FIG. 1

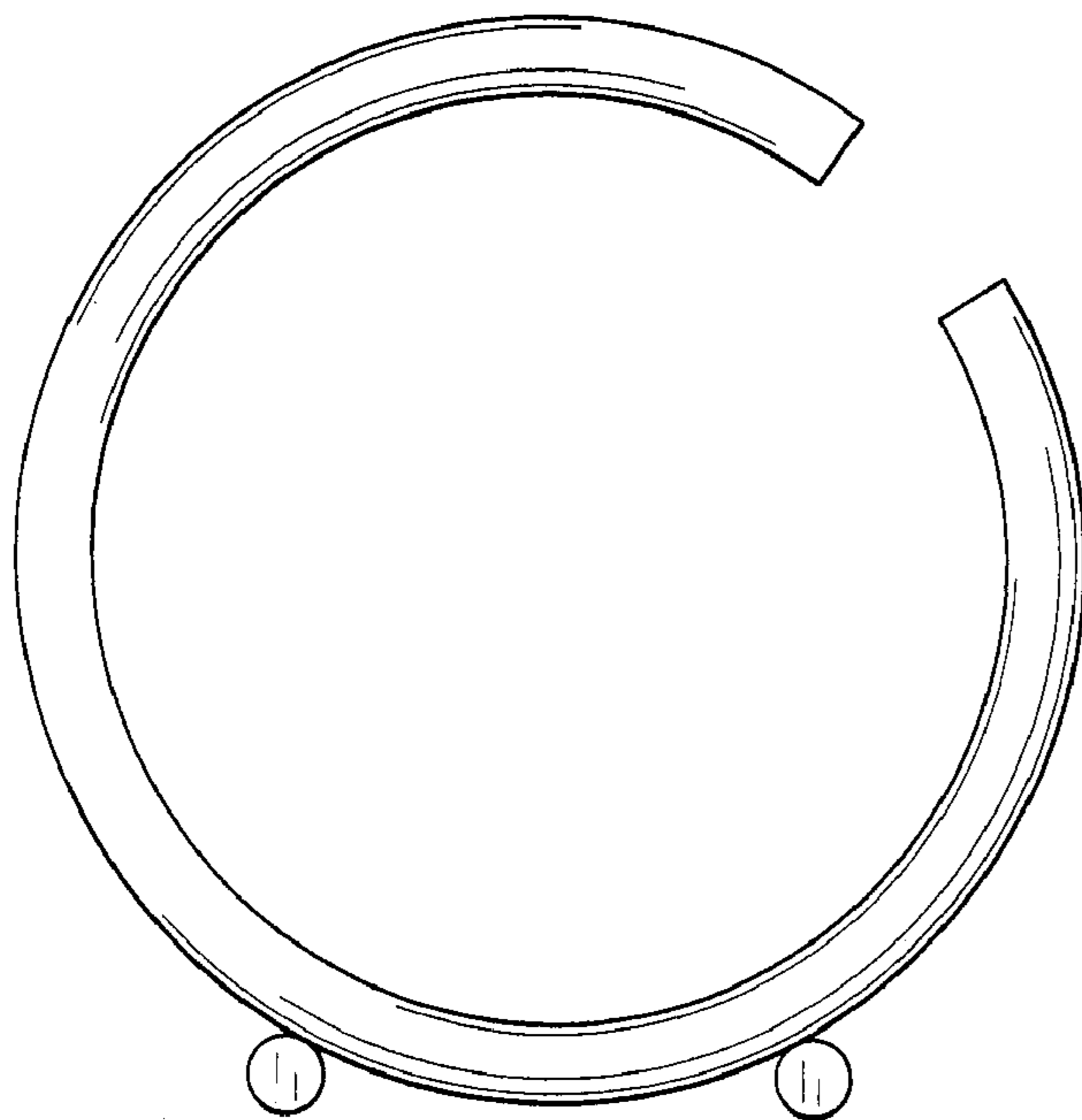
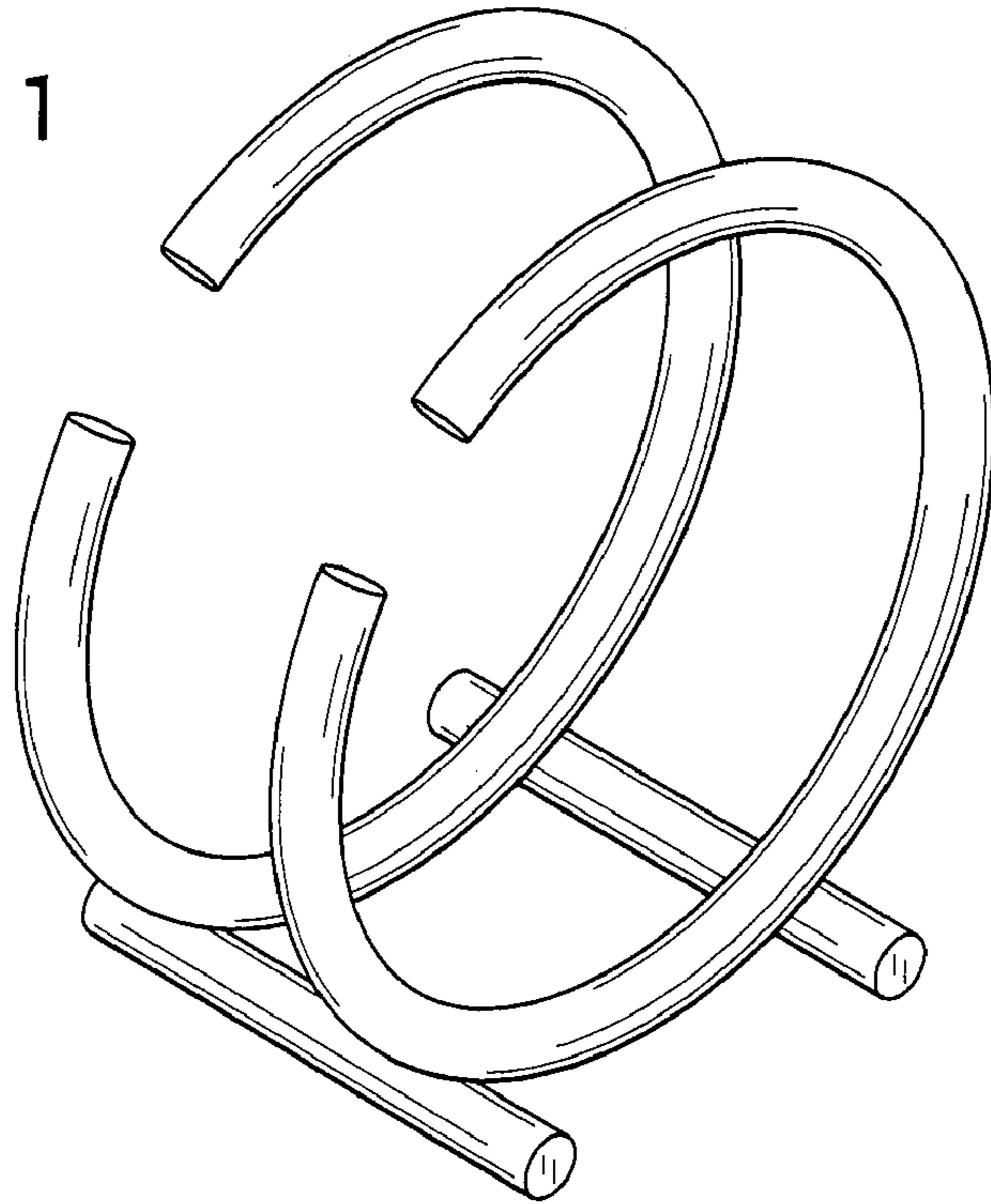


FIG. 2

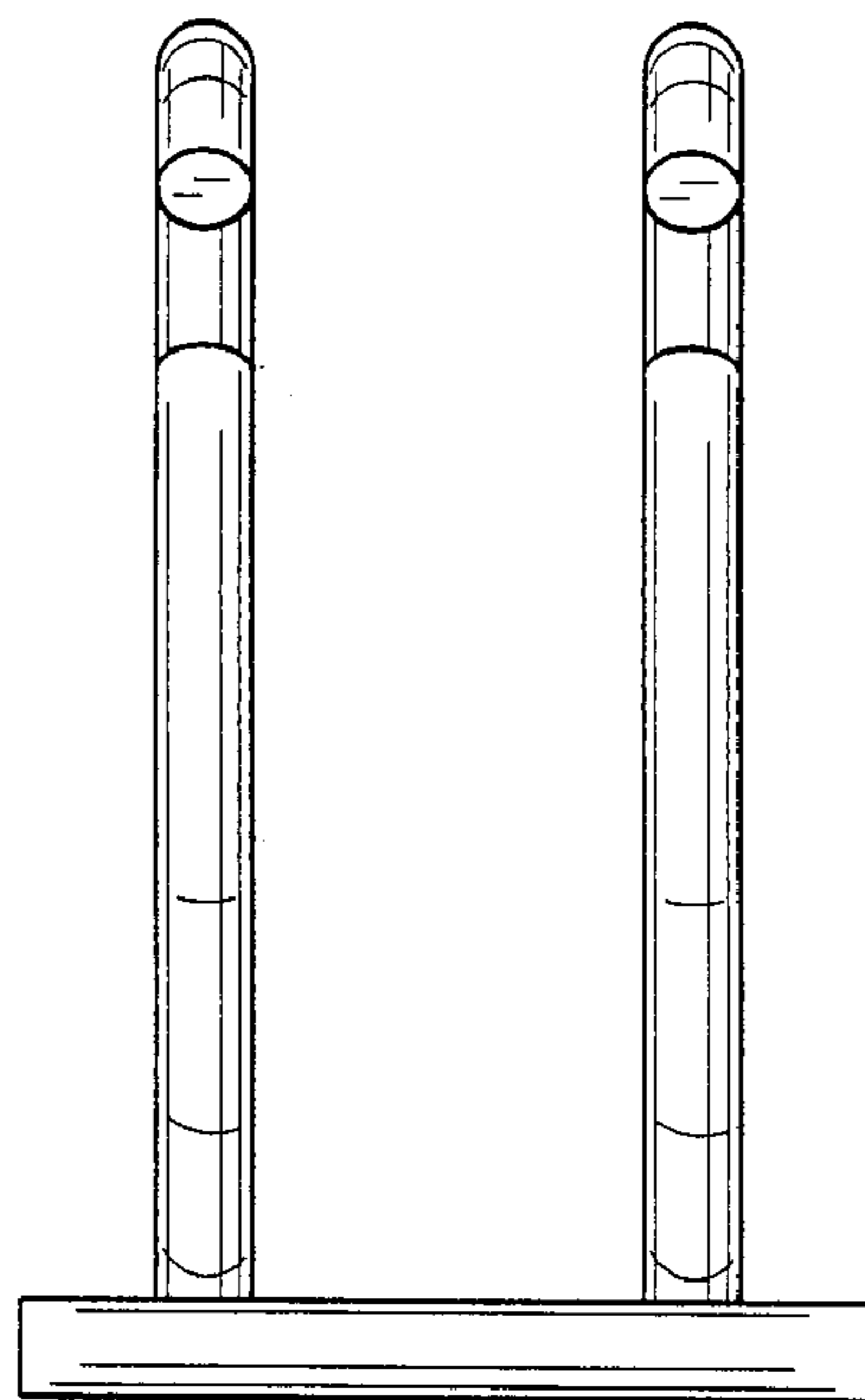


FIG. 3

FIG. 4

